



US00D935255S

(12) **United States Design Patent** (10) **Patent No.:** **US D935,255 S**
Snir et al. (45) **Date of Patent:** **** Nov. 9, 2021**

(54) **CHAIR ARM HAVING CELL PHONE POCKET**

(71) Applicant: **Adams Mfg. Corp.**, Portersville, PA (US)

(72) Inventors: **Shlomo Snir**, Cranberry Township, PA (US); **Matthew Goodworth**, Pittsburgh, PA (US)

(73) Assignee: **Adams Mfg. Corp.**, Portersville, PA (US)

(**) Term: **15 Years**

(21) Appl. No.: **29/674,433**

(22) Filed: **Dec. 21, 2018**

(51) **LOC (13) Cl.** **06-06**

(52) **U.S. Cl.**
USPC **D6/716.2**

(58) **Field of Classification Search**
USPC D6/328, 334, 354, 355, 356, 364, 366, D6/601, 655, 702, 708, 708.16, 708.17, D6/708.18, 708.23, 708.24, 708.25, 712, D6/716.1, 716.2, 716.3, 716.4, 716.5, D6/716.6, 716.7, 379, 709; D21/662, D21/694, 695
CPC .. A47C 1/03; A47C 4/02; A47C 31/00; B64D 11/06; B62J 1/18; B60N 2/01; H01R 13/60
See application file for complete search history.

(56) **References Cited**

U.S. PATENT DOCUMENTS

6,641,101	B2	11/2003	Bergin	
D502,334	S *	3/2005	Tseng	D6/370
D502,827	S *	3/2005	Yun	D6/366
D575,072	S *	8/2008	Lowsky	D6/370
D597,332	S *	8/2009	Carmon	D6/369
D618,928	S *	7/2010	Carmon	D6/369

D644,458	S *	9/2011	Babick	D6/709
8,303,032	B1	11/2012	Platta	
D679,526	S *	4/2013	Blet	D6/716.2
D691,823	S *	10/2013	Schmitt	D6/379
D693,589	S *	11/2013	Irvine	D6/379
D698,176	S *	1/2014	Gerspach	D6/379
D717,058	S	11/2014	Prokofiev et al.	
D770,193	S *	11/2016	Duvigneau	D6/369
D786,597	S *	5/2017	Gao	D6/716.2
9,642,466	B2	5/2017	Milstead et al.	
D805,823	S *	12/2017	Babick	D6/709

(Continued)

Primary Examiner — Kevin K Rudzinski

Assistant Examiner — Paul D Bohannon

(74) *Attorney, Agent, or Firm* — Buchanan Ingersoll & Rooney PC

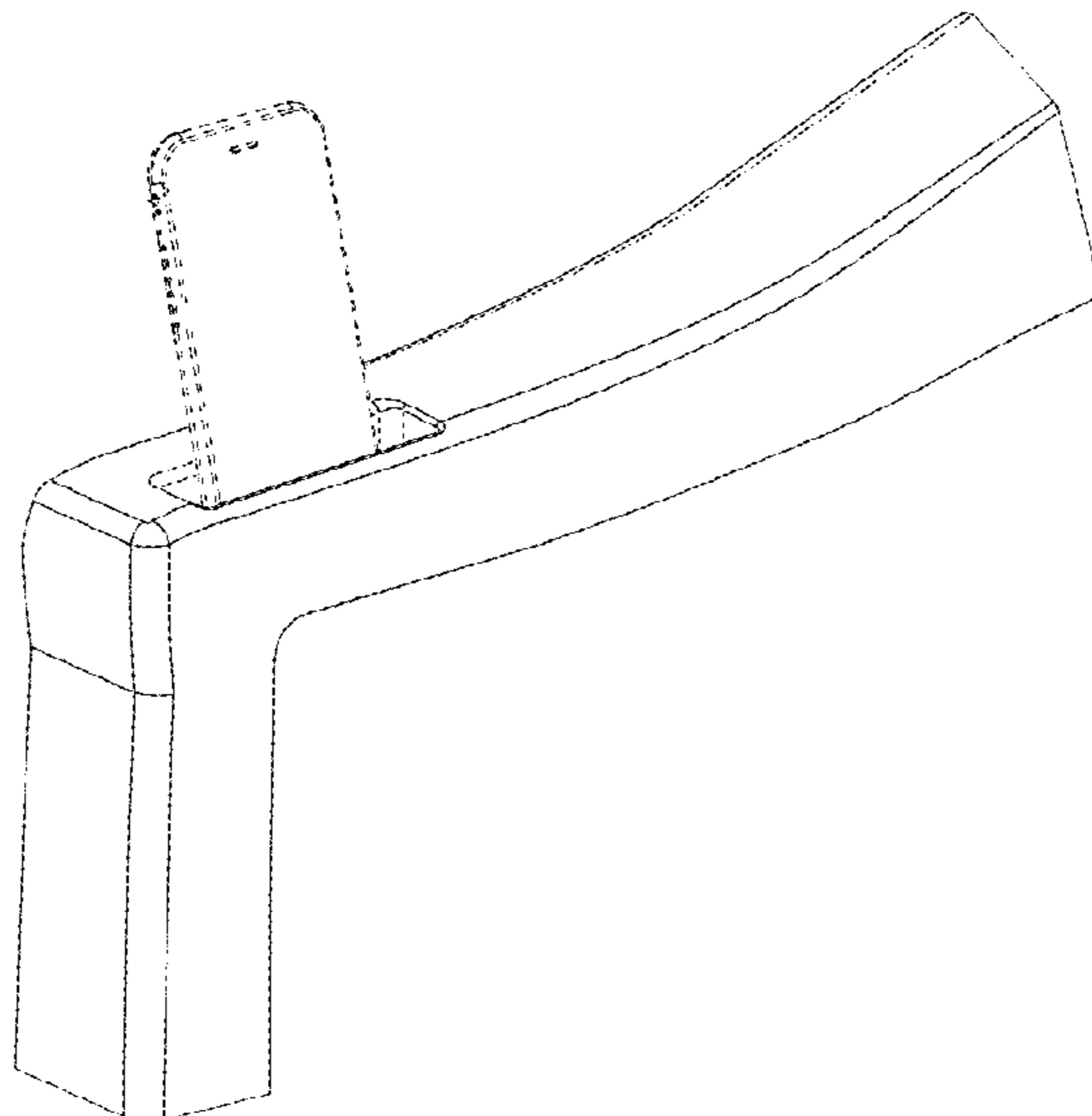
(57) **CLAIM**

The ornamental design for a chair arm having cell phone pocket, as shown and described.

DESCRIPTION

FIG. 1 is a perspective view showing the front, top and left side of our chair arm having cell phone pocket
FIG. 2 is a perspective view showing the front, top and right side thereof;
FIG. 3 is a top view thereof;
FIG. 4 is a left side view thereof;
FIG. 5 is a bottom view thereof;
FIG. 6 is a right side view thereof;
FIG. 7 is a rear view thereof;
FIG. 8 is a front view thereof; and,
FIG. 9 is a perspective view, drawn at a somewhat smaller scale than FIGS. 1 through 8, showing the chair arm having cell phone pocket as part of a molded plastic chair.
The cell phone in dash-dot lines in FIGS. 1, 2 and 9 as well as the portion of the chair in dash-dot lines in FIG. 9 are shown for environmental purposes and form no part of the claimed design.

1 Claim, 4 Drawing Sheets



(56)

References Cited

U.S. PATENT DOCUMENTS

D847,787 S *	5/2019	Weirun	D14/217
D871,098 S *	12/2019	Giampietro	D6/379
2010/0244507 A1 *	9/2010	Miyazaki	B60N 2/5816 297/188.14
2015/0208810 A1	7/2015	Kim	
2015/0223609 A1 *	8/2015	Prokofiev	A47C 5/12 297/188.14
2018/0084917 A1	3/2018	Weirun	
2019/0142163 A1 *	5/2019	Garrison	A47C 7/54 297/188.18

* cited by examiner

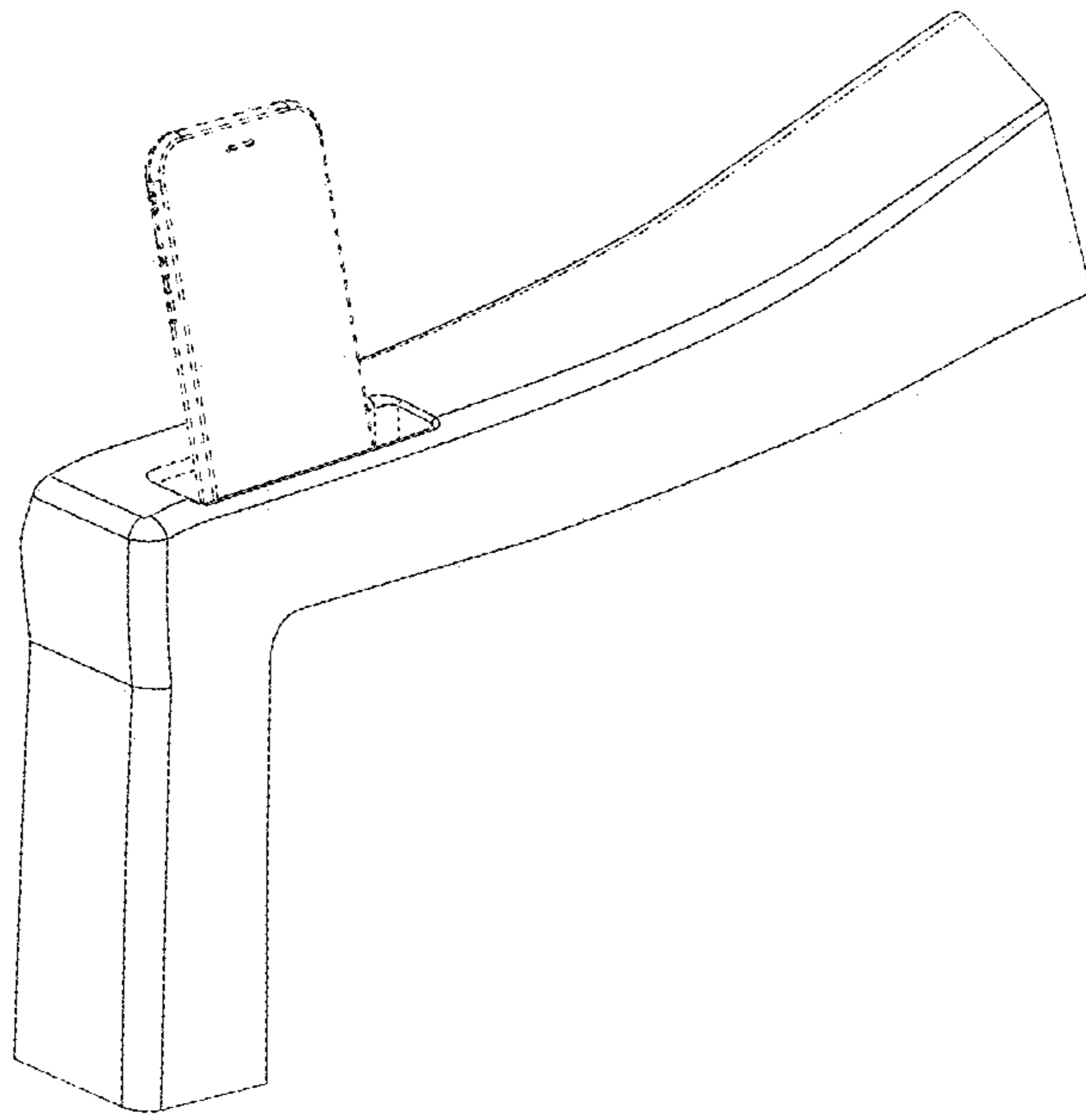


Fig. 1

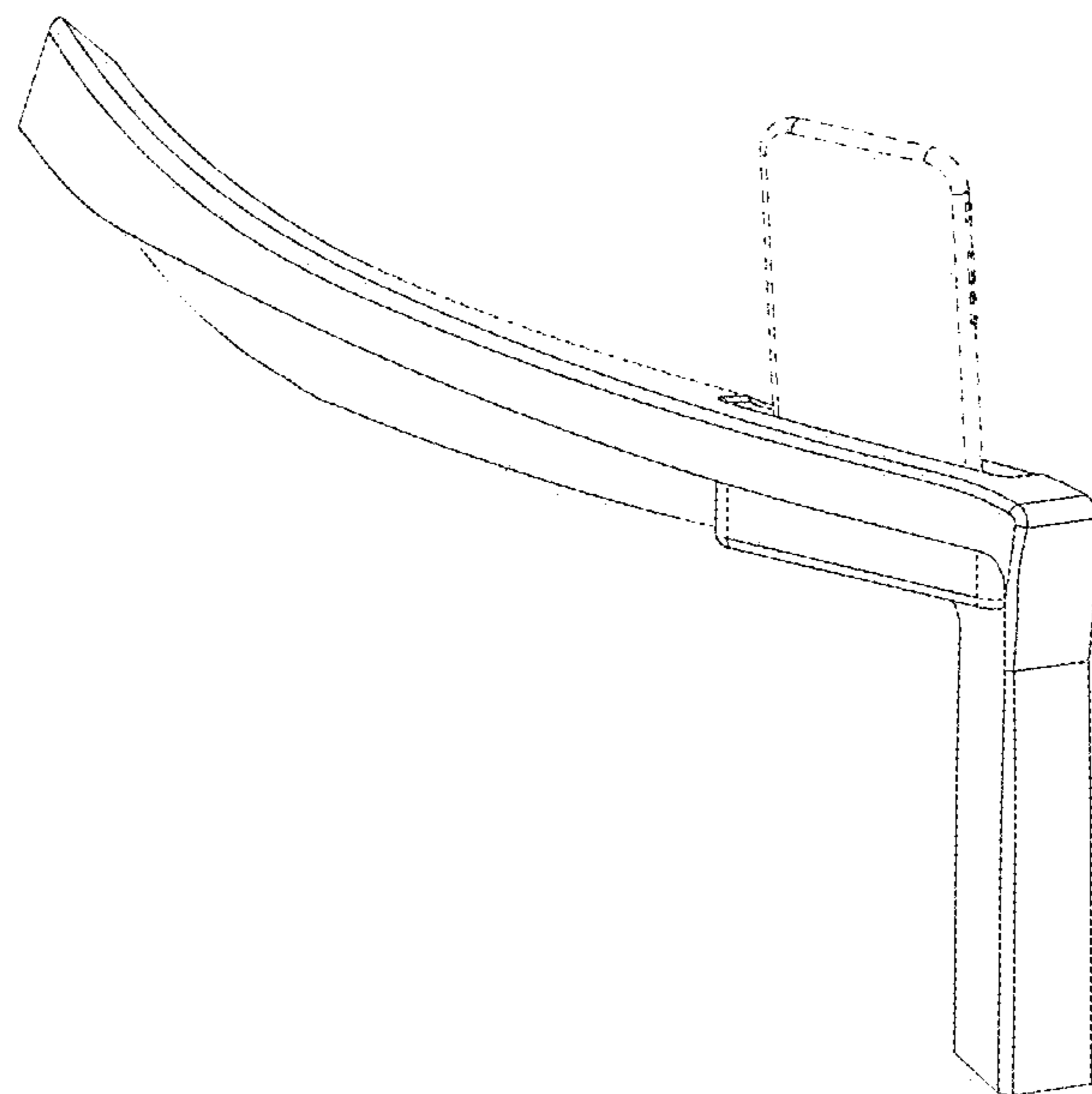


Fig. 2

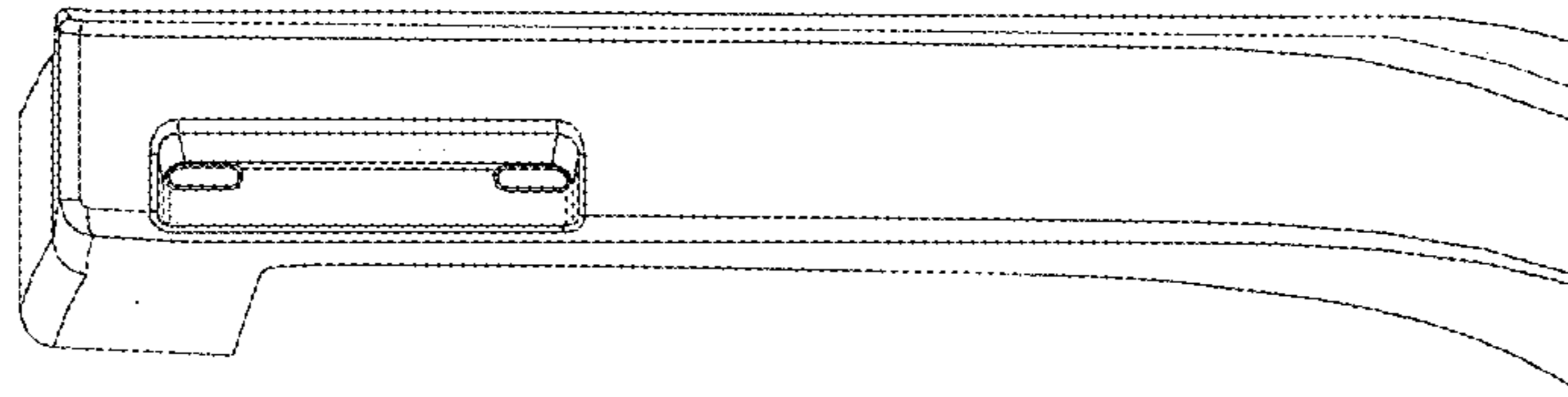


Fig. 3

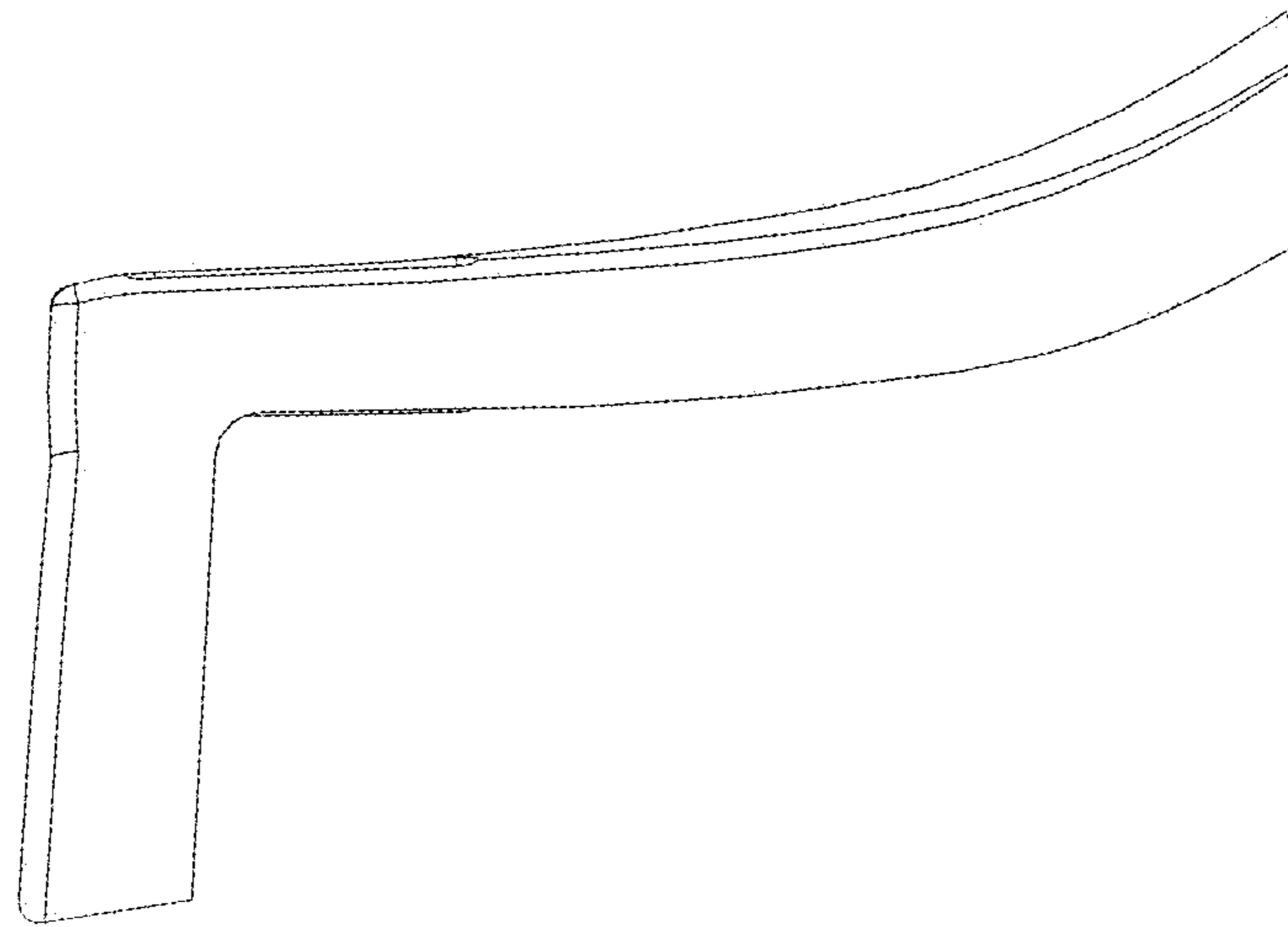


Fig. 4

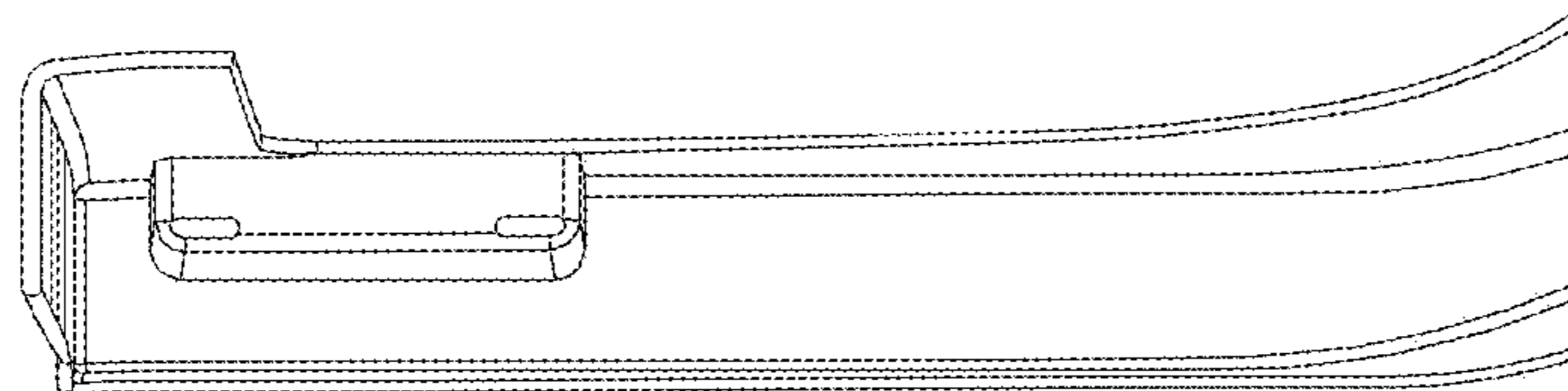


Fig. 5

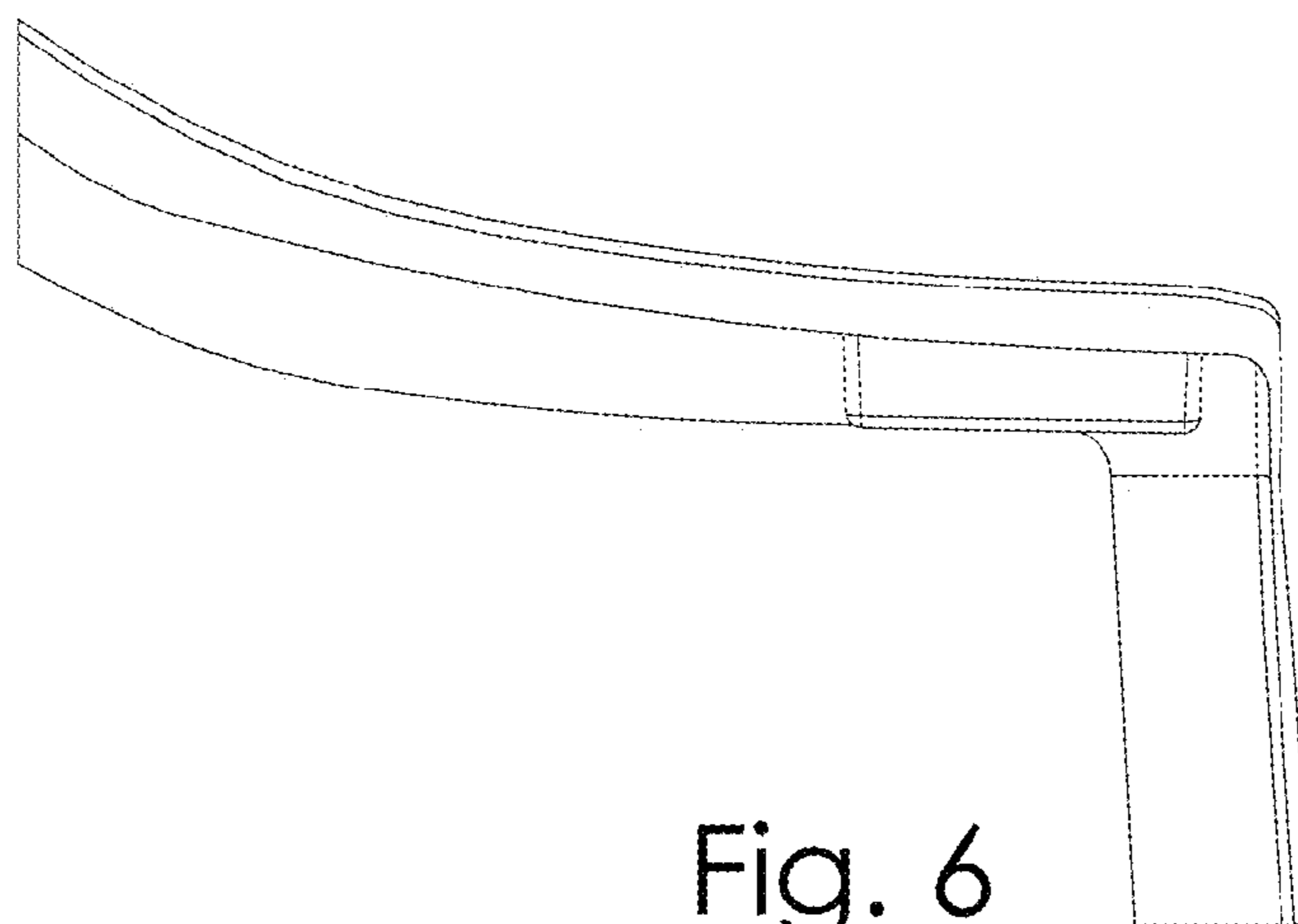


Fig. 6

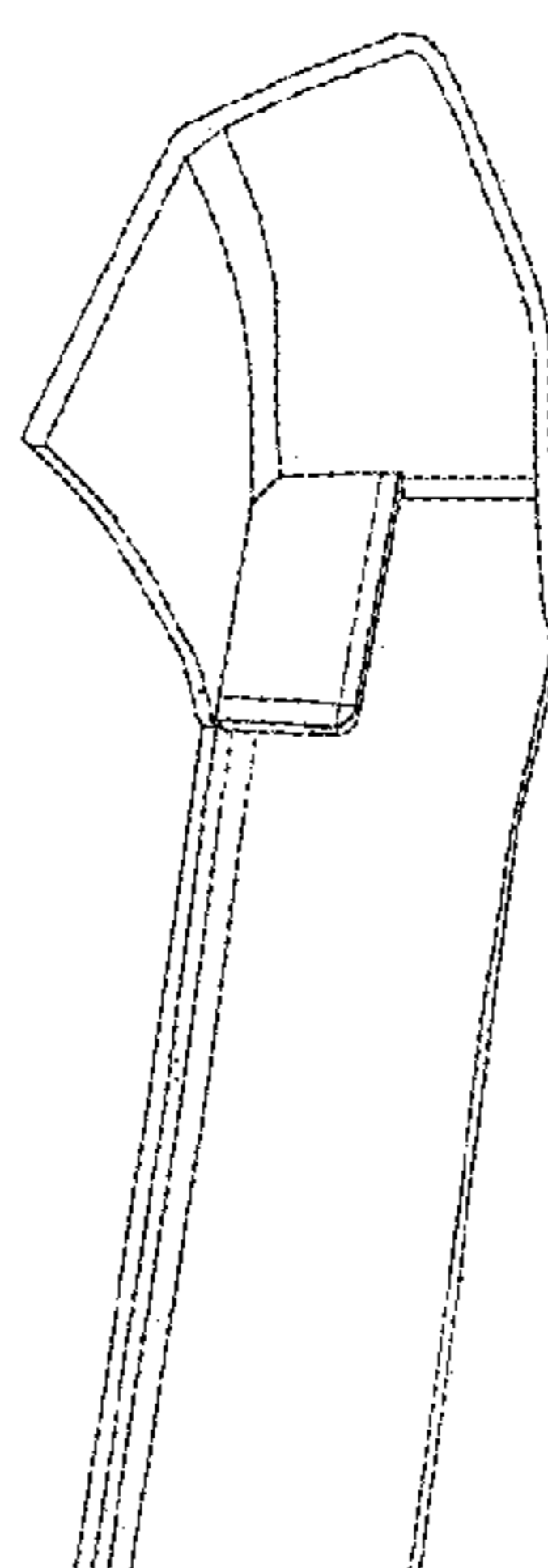


Fig. 7

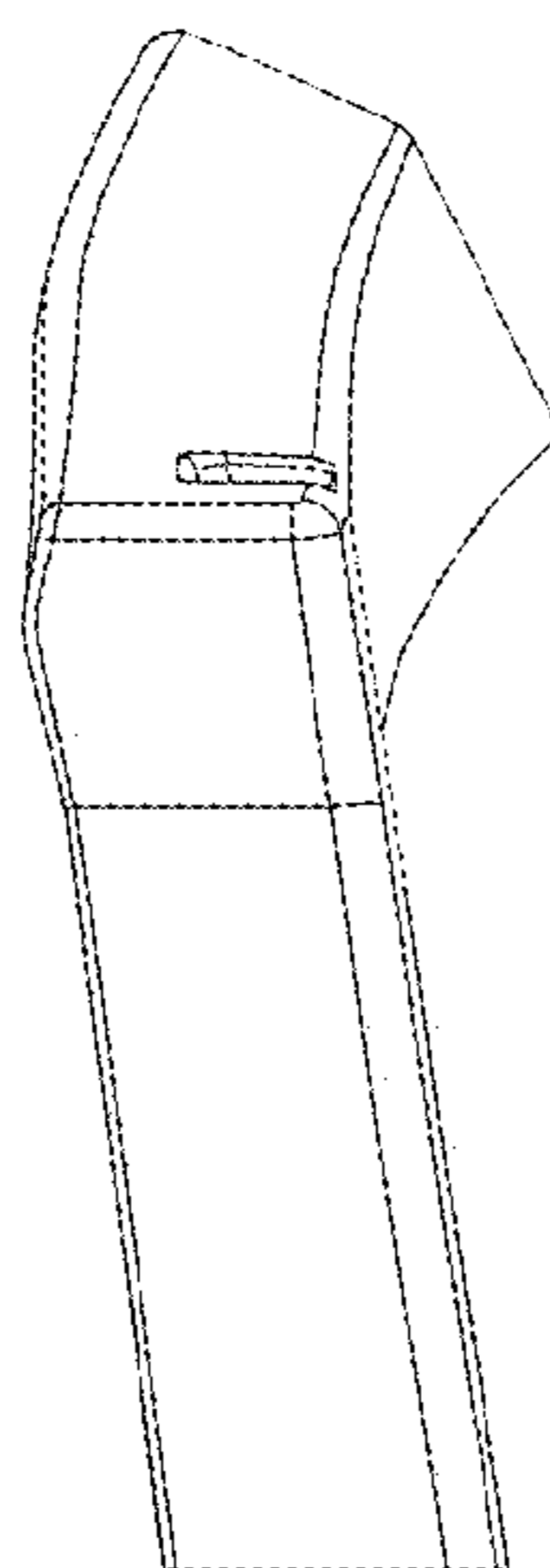


Fig. 8

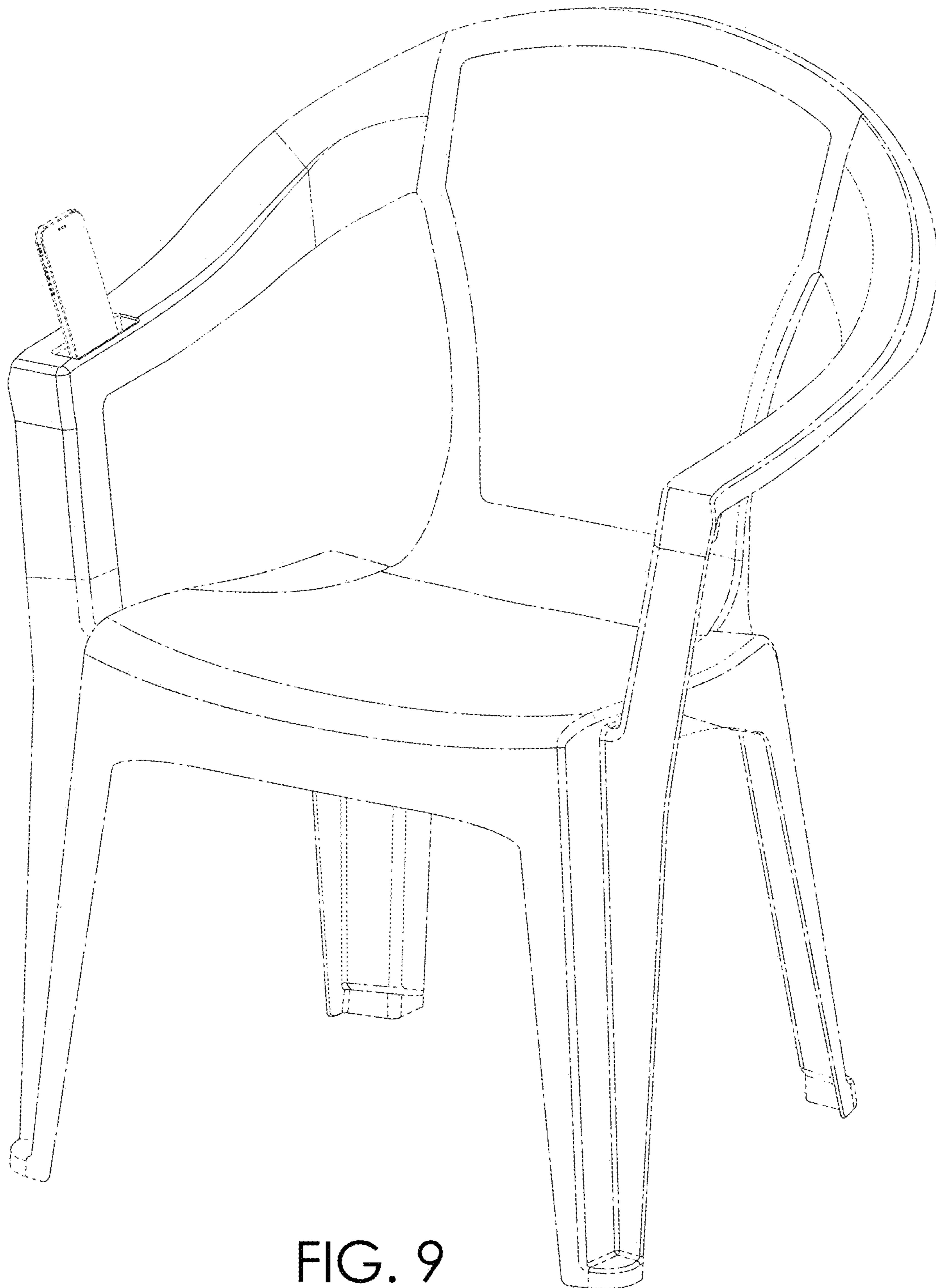


FIG. 9