



US00D935252S

(12) **United States Design Patent**
Bhakta

(10) **Patent No.:** **US D935,252 S**
(45) **Date of Patent:** **** Nov. 9, 2021**

(54) **BACK AND SEAT FOR A CHAIR**

(71) Applicant: **Jayesh Bhakta**, Corona, CA (US)

(72) Inventor: **Jayesh Bhakta**, Corona, CA (US)

(**) Term: **15 Years**

(21) Appl. No.: **29/740,056**

(22) Filed: **Jun. 30, 2020**

(51) **LOC (13) Cl.** **06-01**

(52) **U.S. Cl.**
USPC **D6/716**

(58) **Field of Classification Search**
USPC D6/334, 364, 365, 366, 370, 371, 373,
D6/374, 379, 380, 716.1, 716.4, 716
CPC A47C 3/00; A47C 3/04; A47C 3/12; A47C
3/18; A47C 3/20; A47C 1/143; A47C
1/12; A47C 1/121; A47C 1/124; A47C
7/24; A47C 7/36; A47C 7/46; A47C 7/18;
A47C 7/40; A47C 7/54

See application file for complete search history.

(56) **References Cited**

U.S. PATENT DOCUMENTS

D467,442 S *	12/2002	Zaidman	D6/366
9,033,411 B2 *	5/2015	Mezzera	A47C 7/38
				297/123
D769,634 S *	10/2016	Mezzera	D6/366
D809,841 S *	2/2018	Mao	D6/716
D811,793 S *	3/2018	Palma	D6/716
D852,527 S *	7/2019	Heydari	D6/366
D863,802 S *	10/2019	Wang	D6/366
D879,492 S *	3/2020	Wang	D6/366
D902,615 S *	11/2020	Palma	D6/366
D905,993 S *	12/2020	Wu	D6/366
D913,712 S *	3/2021	Citterio	D6/366
D918,611 S *	5/2021	Wang	D6/366

OTHER PUBLICATIONS

True Innovations, <https://www.trueinnovations.com/product/office/sertar-manager-chair.html>. "Serta® Manager Chair". Date Unknown: Viewed Jul. 2021 (Year: 2021).*

True Innovations, <https://www.trueinnovations.com/product/office/la-z-boy-winston-big-and-tall-executive-chair.html>. "La-Z-Boy® Winston Big and Tall Executive Chair". Jul. 2016 (Year: 2016).*

Amazon. https://www.amazon.com/AmazonBasics-Executive-Computer-350-Pound-Capacity/dp/B081HMS8YK/ref=sr_1_80?dchild=1&keywords=leather+chair&qid=1626558911&sr=8-80. "Amazon Basics Bonded Leather Big & Tall Executive Office Computer Desk Chair". Apr. 2020 (Year: 2020).*

* cited by examiner

Primary Examiner — R. Johnson

(74) *Attorney, Agent, or Firm* — Morland C. Fischer

(57) **CLAIM**

The ornamental design for a back and seat for a chair, as shown and described.

DESCRIPTION

FIG. 1 is a top, right, front perspective view of a back and seat for a chair showing my new design;
FIG. 2 is a top, left, rear perspective view thereof;
FIG. 3 is a front elevational view thereof;
FIG. 4 is a right side elevational view thereof;
FIG. 5 is a rear elevational view thereof;
FIG. 6 is a left side elevational view thereof;
FIG. 7 is a top plan view thereof; and,
FIG. 8 is a bottom plan view thereof.

The long broken lines in the figures depict portions of the back and seat for a chair that form no part of my design. The short broken lines in the figures are understood to represent stitching.

1 Claim, 7 Drawing Sheets



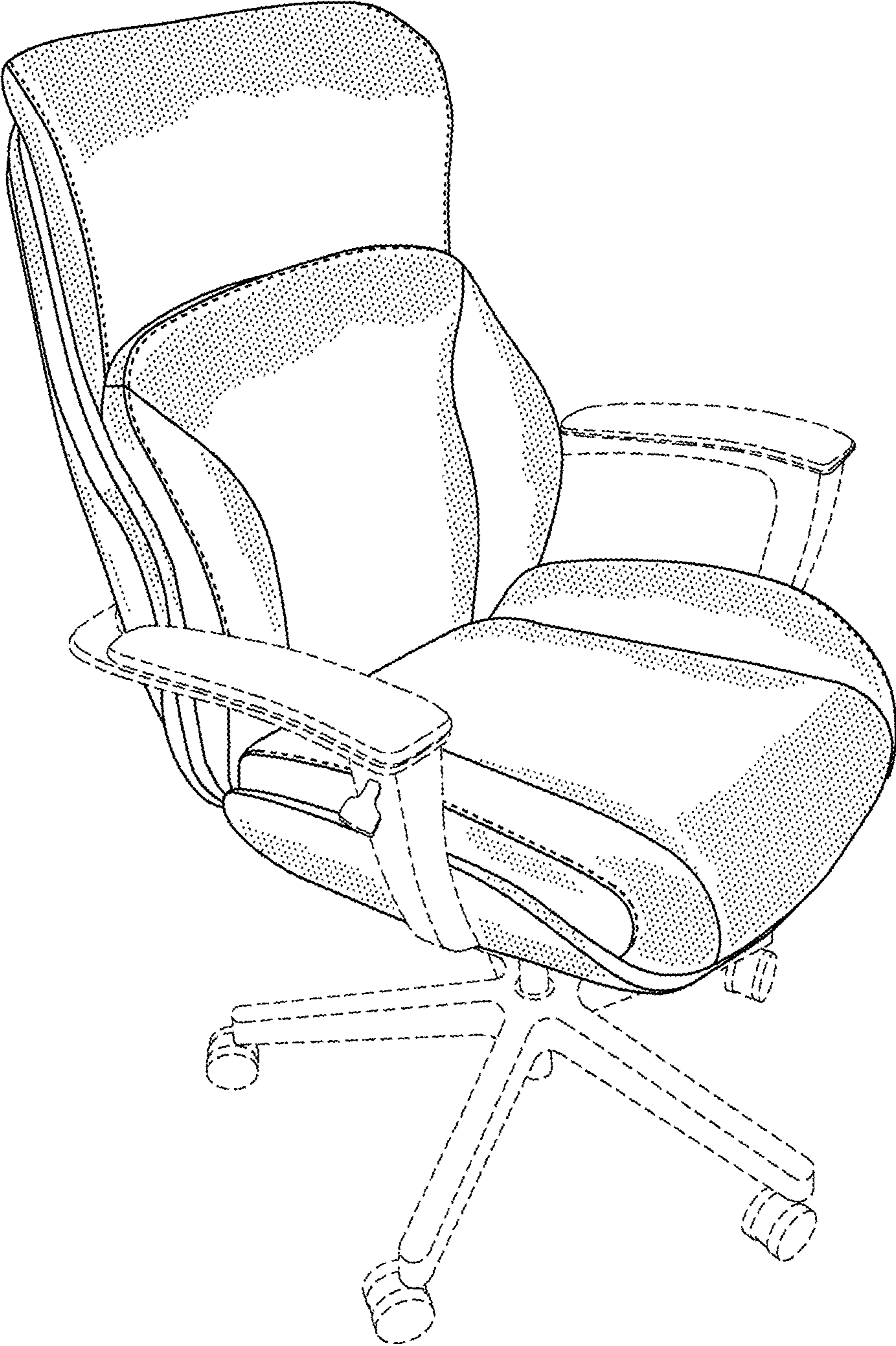


FIG. 1

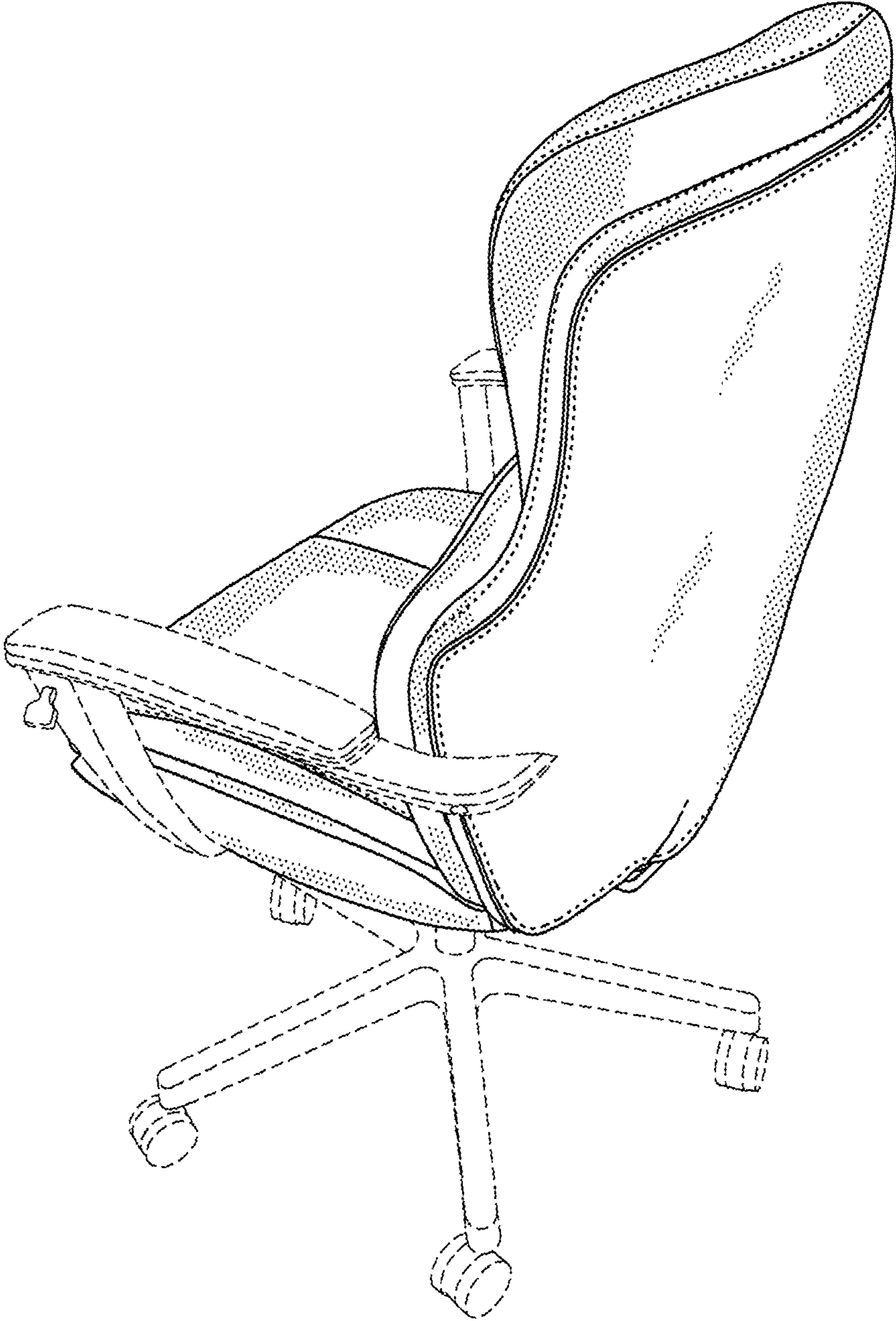


FIG. 2

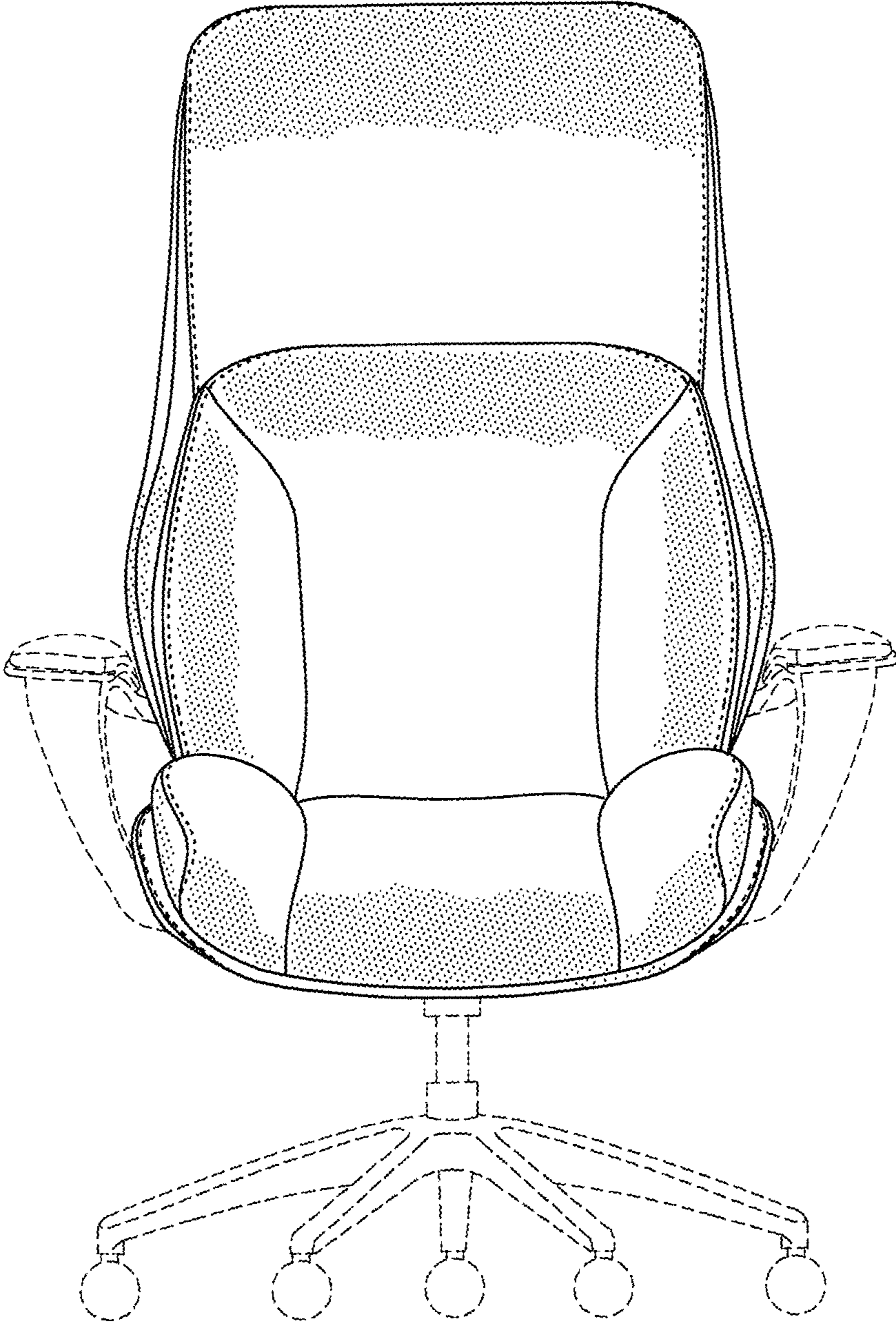


FIG. 3

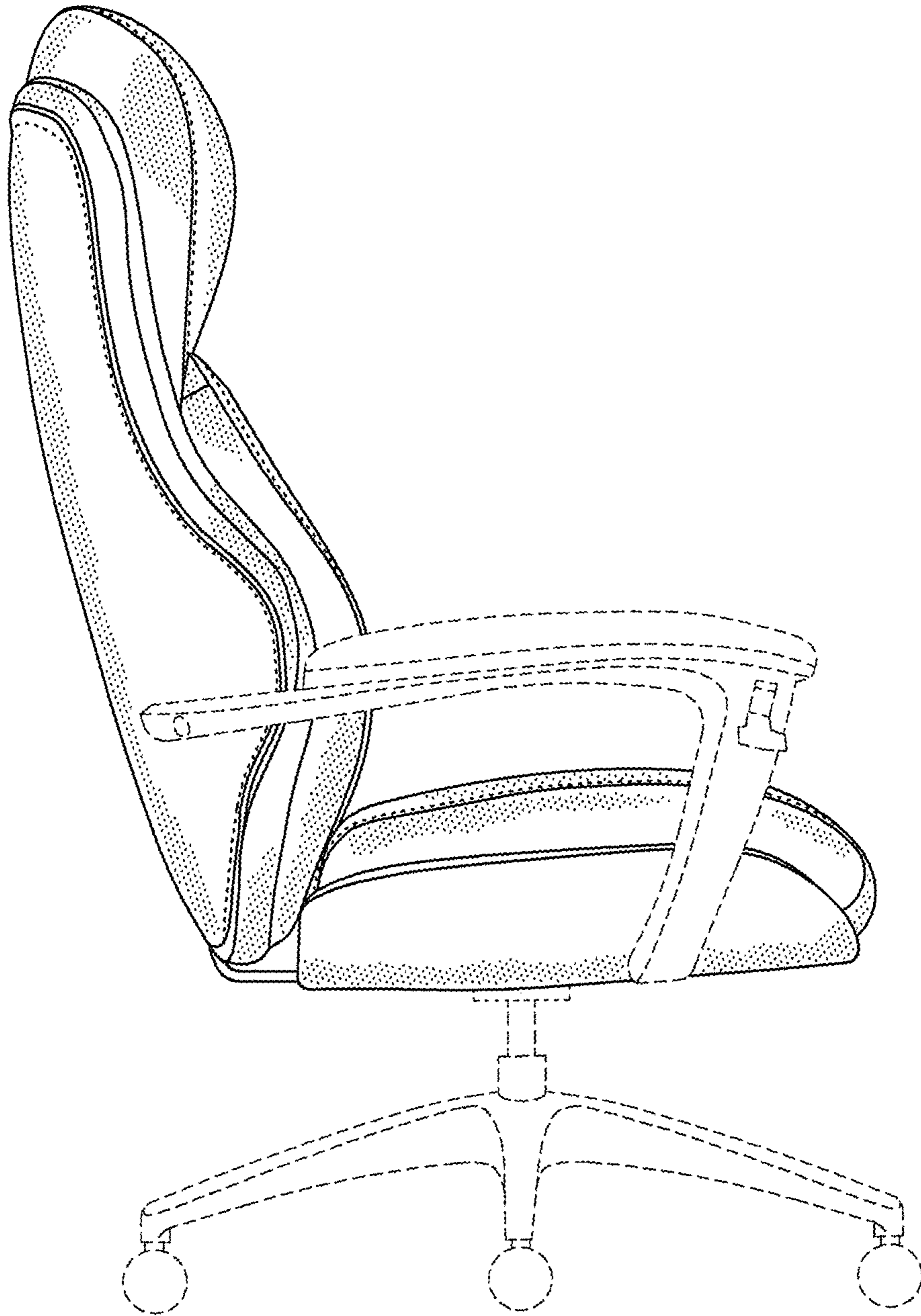


FIG. 4

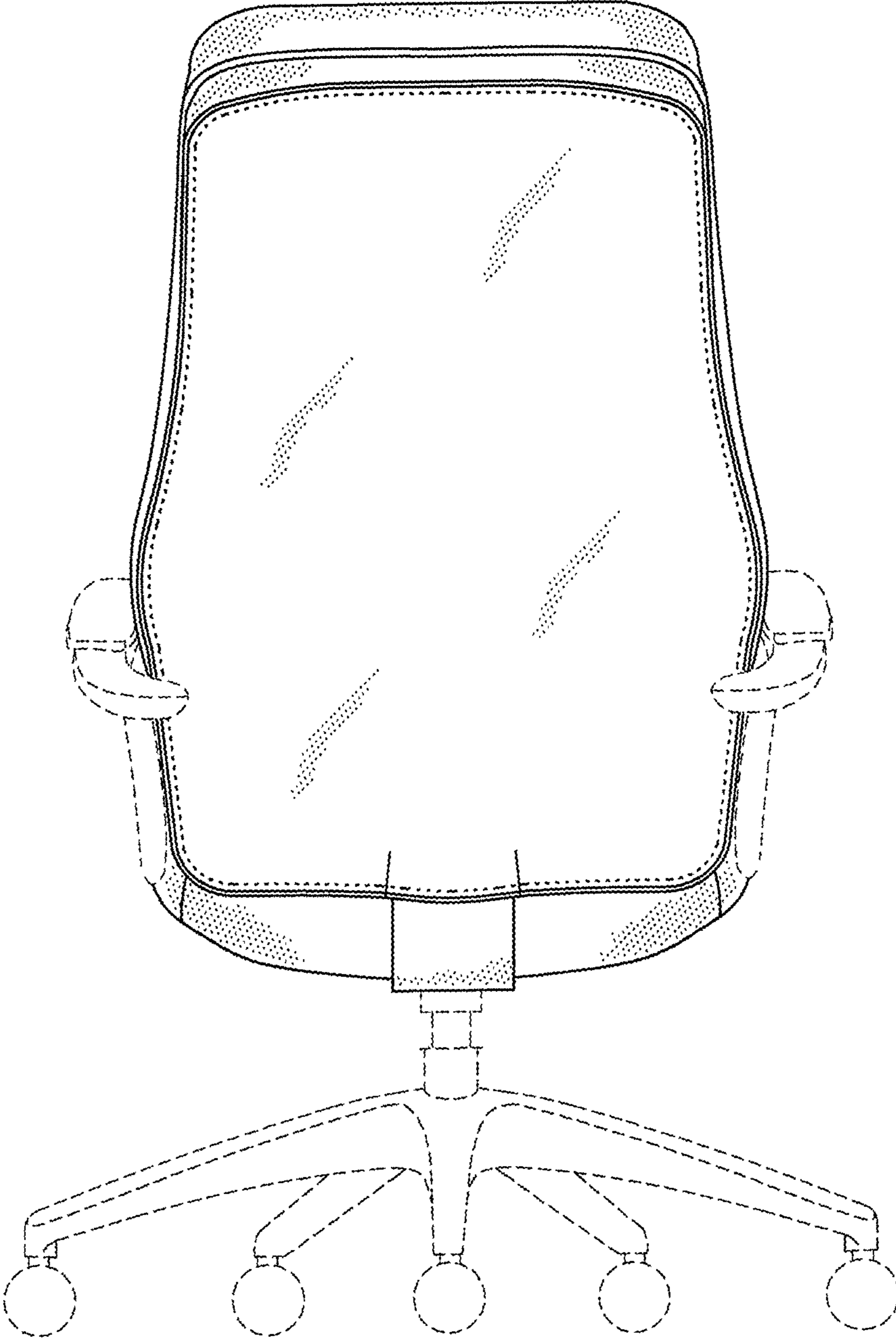


FIG. 5

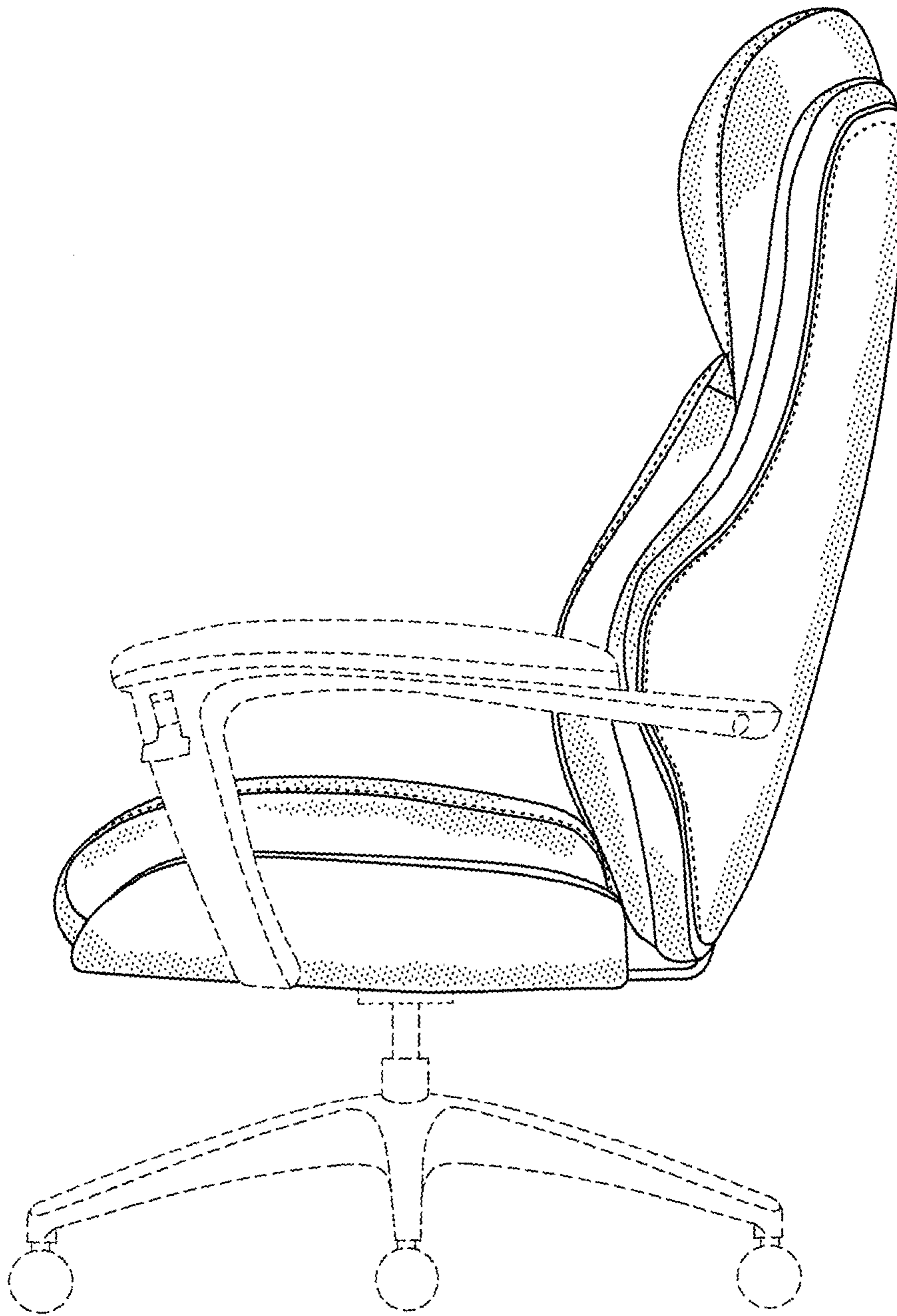


FIG. 6

