



US00D935251S

(12) **United States Design Patent**
Bhakta

(10) **Patent No.:** **US D935,251 S**
(45) **Date of Patent:** **** Nov. 9, 2021**

- (54) **BACK AND SEAT FOR A CHAIR**
- (71) Applicant: **Jayesh Bhakta**, Corona, CA (US)
- (72) Inventor: **Jayesh Bhakta**, Corona, CA (US)
- (**) Term: **15 Years**
- (21) Appl. No.: **29/735,231**
- (22) Filed: **May 19, 2020**
- (51) **LOC (13) Cl.** **06-01**
- (52) **U.S. Cl.**
USPC **D6/716**
- (58) **Field of Classification Search**
USPC D6/334, 364, 365, 366, 370, 371, 373,
D6/374, 379, 380, 716.1, 716.4, 716
CPC A47C 3/00; A47C 3/04; A47C 3/12; A47C
3/18; A47C 3/20; A47C 1/143; A47C
1/12; A47C 1/121; A47C 1/124; A47C
7/24; A47C 7/36; A47C 7/46; A47C 7/18;
A47C 7/40; A47C 7/54
See application file for complete search history.

D905,993 S * 12/2020 Wu D6/366
D913,712 S * 3/2021 Citterio D6/366
D918,611 S * 5/2021 Wang D6/366

OTHER PUBLICATIONS

True Innovations. <https://www.trueinnovations.com/product/office/sertar-manager-chair.html>. "Serta® Manager Chair". Date Unknown: Viewed Jul. 2021 (Year: 2021).*

True Innovations. <https://www.trueinnovations.com/product/office/la-z-boy-winston-big-and-tall-executive-chair.html>. "La-Z-Boy® Winston Big and Tall Executive Chair". Jul. 2016 (Year: 2016).*

* cited by examiner

Primary Examiner — R. Johnson

(74) *Attorney, Agent, or Firm* — Morland C. Fischer

(57) **CLAIM**

The ornamental design for a back and seat for a chair, as shown and described.

DESCRIPTION

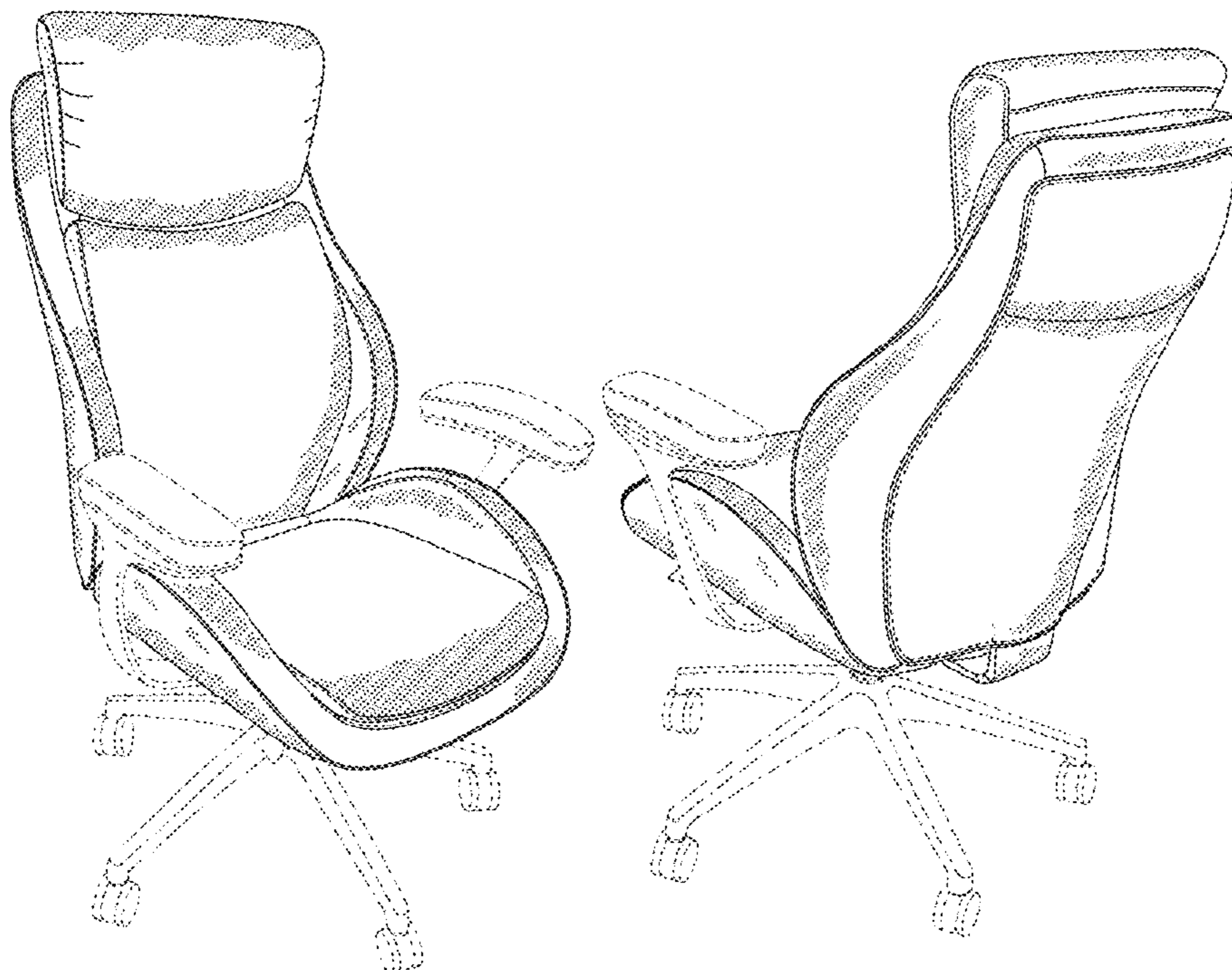
FIG. 1 is a perspective view showing the side, top and front of a back and seat for a chair which forms my new design; FIG. 2 is a perspective view showing the right side, top and rear thereof; FIG. 3 is a front elevational view thereof; FIG. 4 is a left side elevational view thereof; FIG. 5 is a rear elevational view thereof; FIG. 6 is a right side elevational view thereof; FIG. 7 is a top plan view thereof; and, FIG. 8 is a bottom plan view thereof. The broken lines represent stitching and the portions of the design that form no part of the claim.

1 Claim, 7 Drawing Sheets

(56) **References Cited**

U.S. PATENT DOCUMENTS

- D467,442 S * 12/2002 Zaidman D6/366
- 9,033,411 B2 * 5/2015 Mezzera A47C 7/38
297/123
- D769,634 S * 10/2016 Mezzera D6/366
- D809,841 S * 2/2018 Mao D6/716
- D811,793 S * 3/2018 Palma D6/716
- D852,527 S * 7/2019 Heydari D6/366
- D863,802 S * 10/2019 Wang D6/366
- D879,492 S * 3/2020 Wang D6/366
- D902,615 S * 11/2020 Palma D6/366



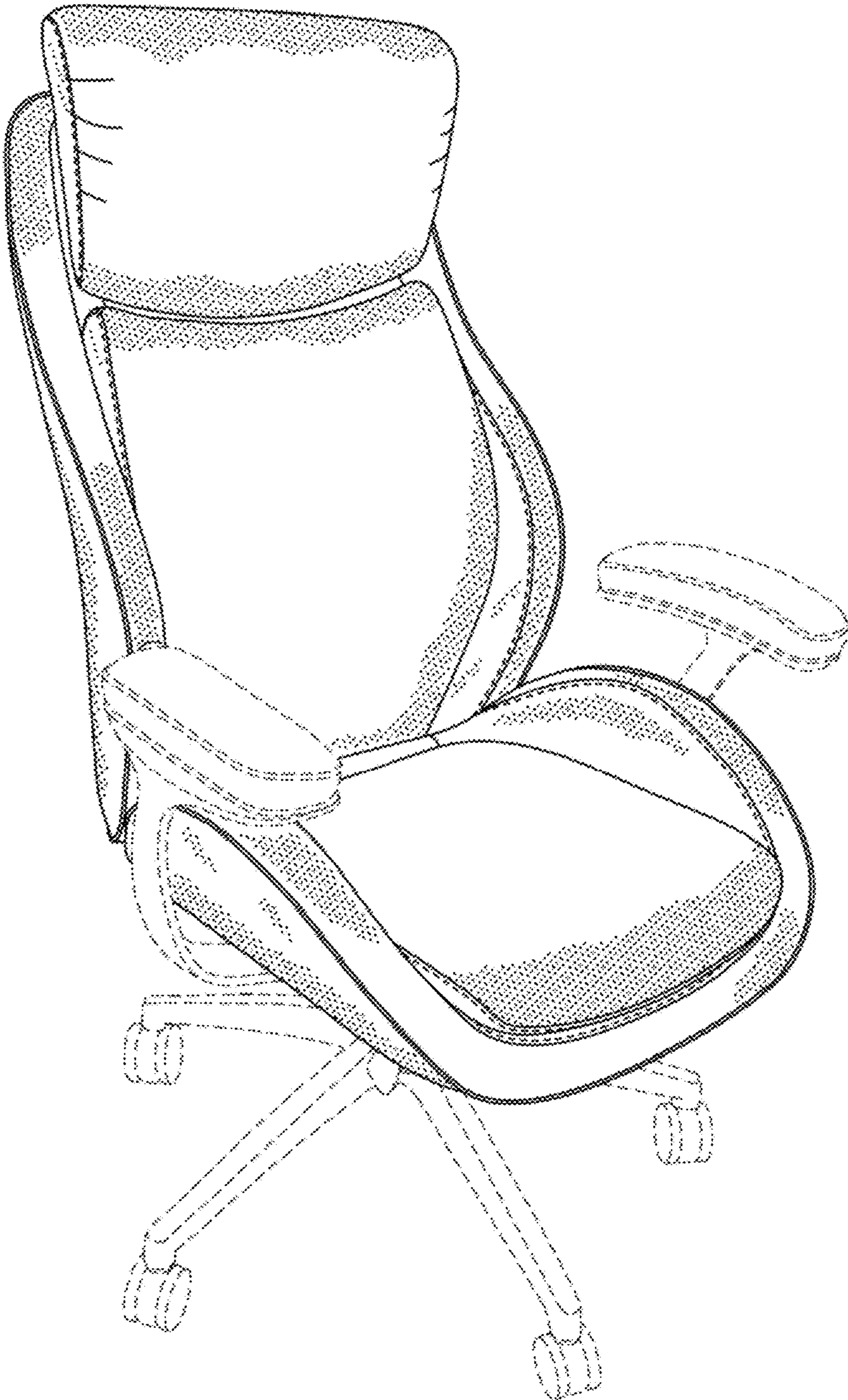


FIG. 1

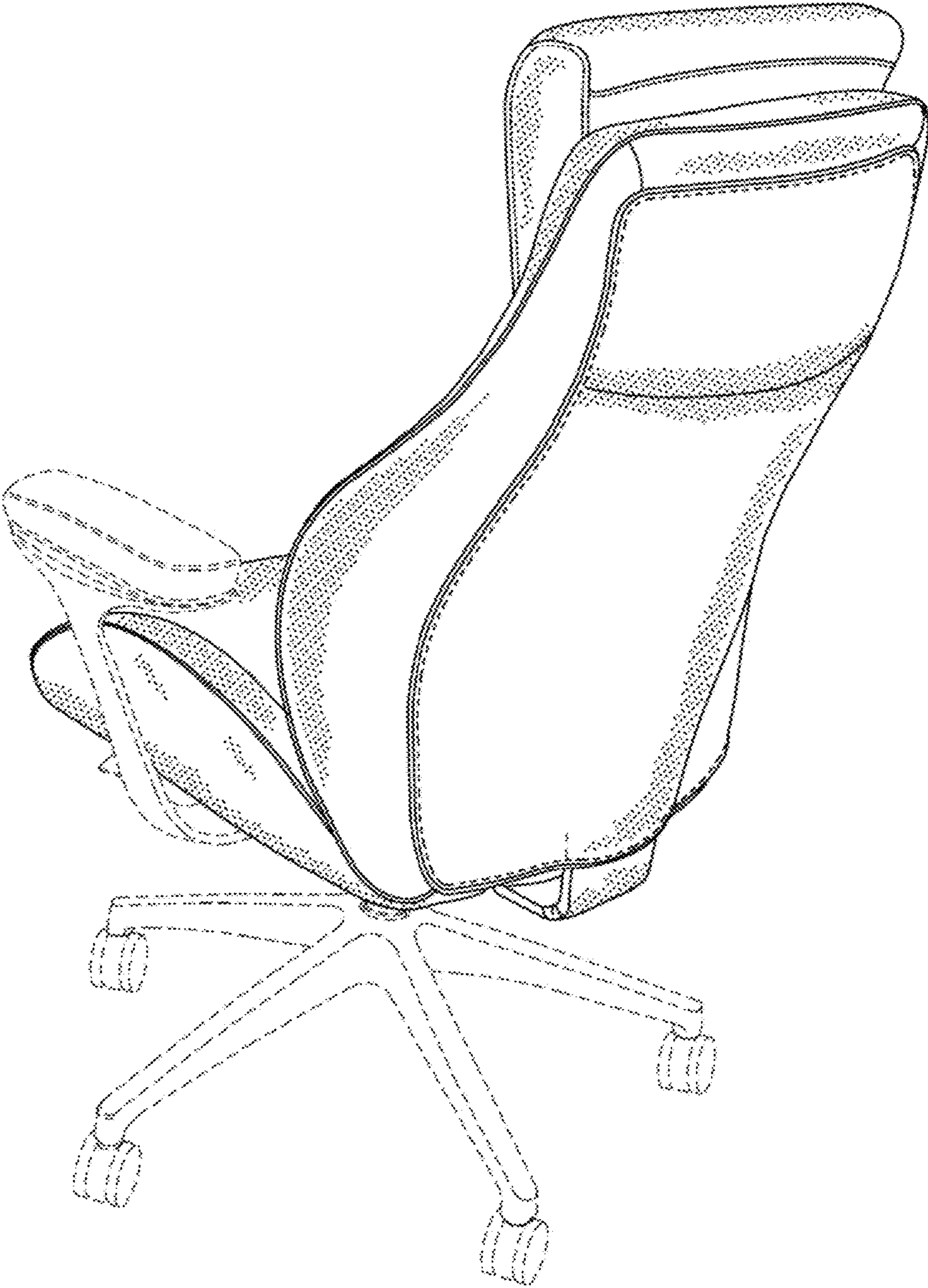


FIG. 2

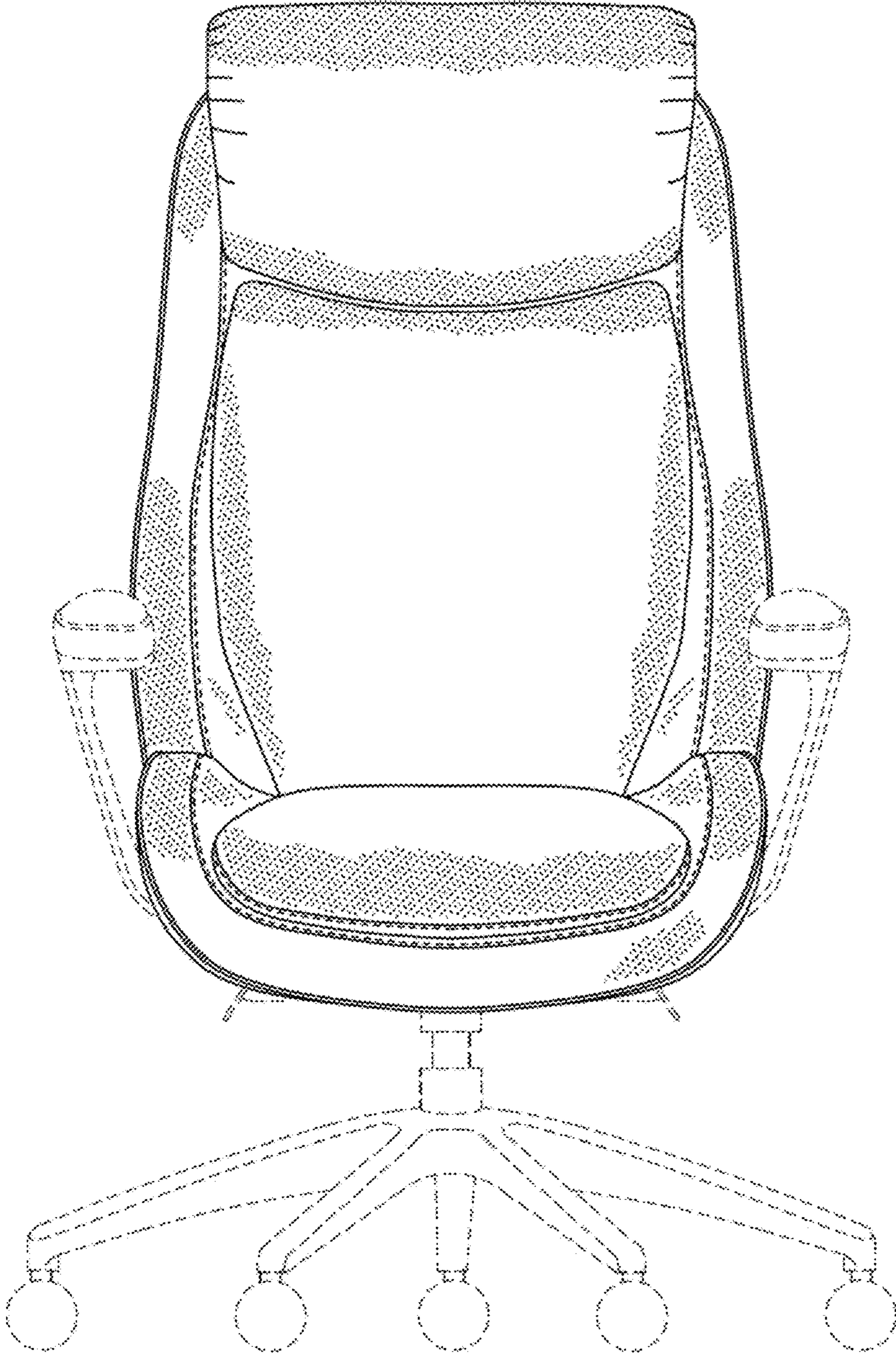


FIG. 3

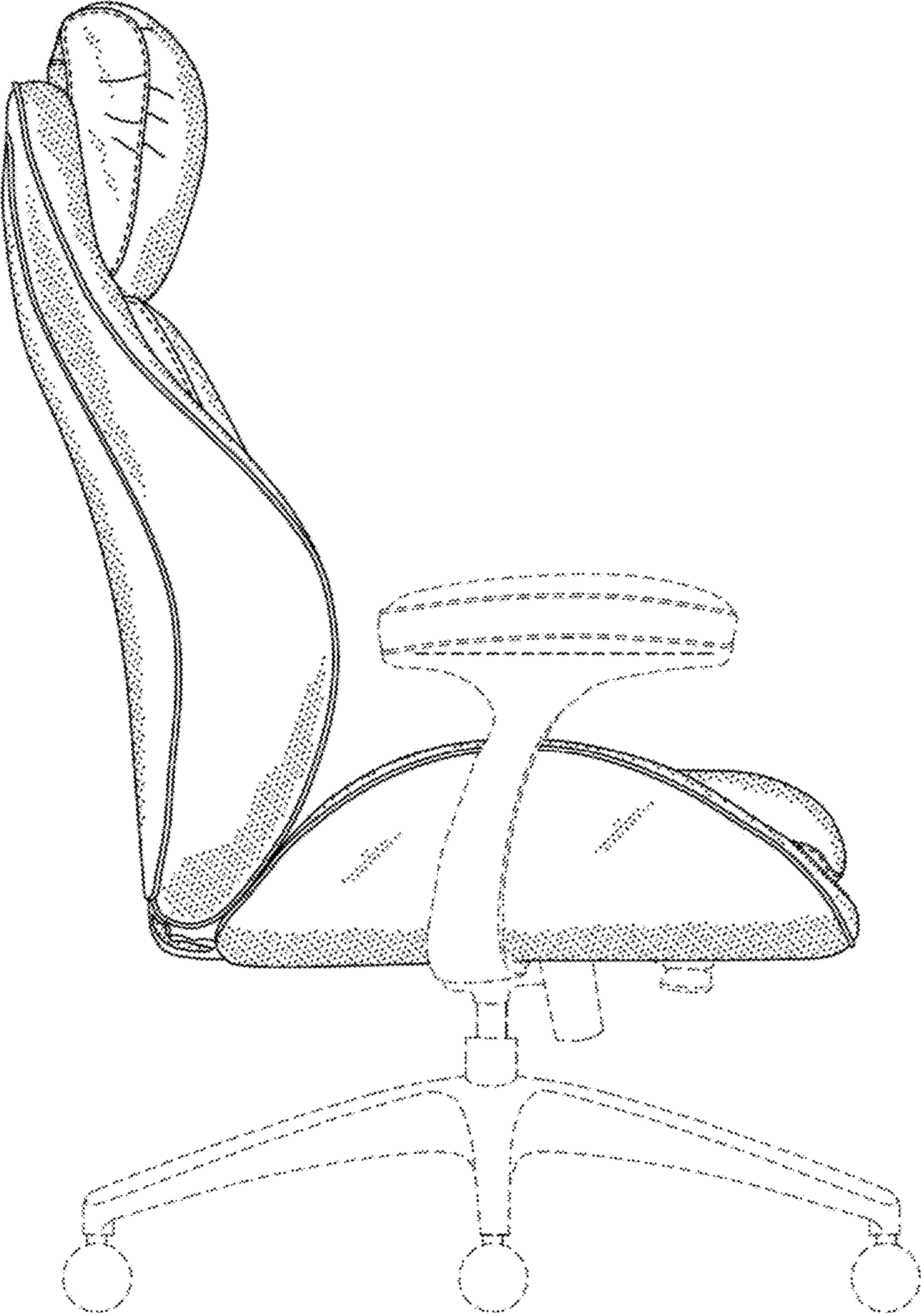


FIG. 4

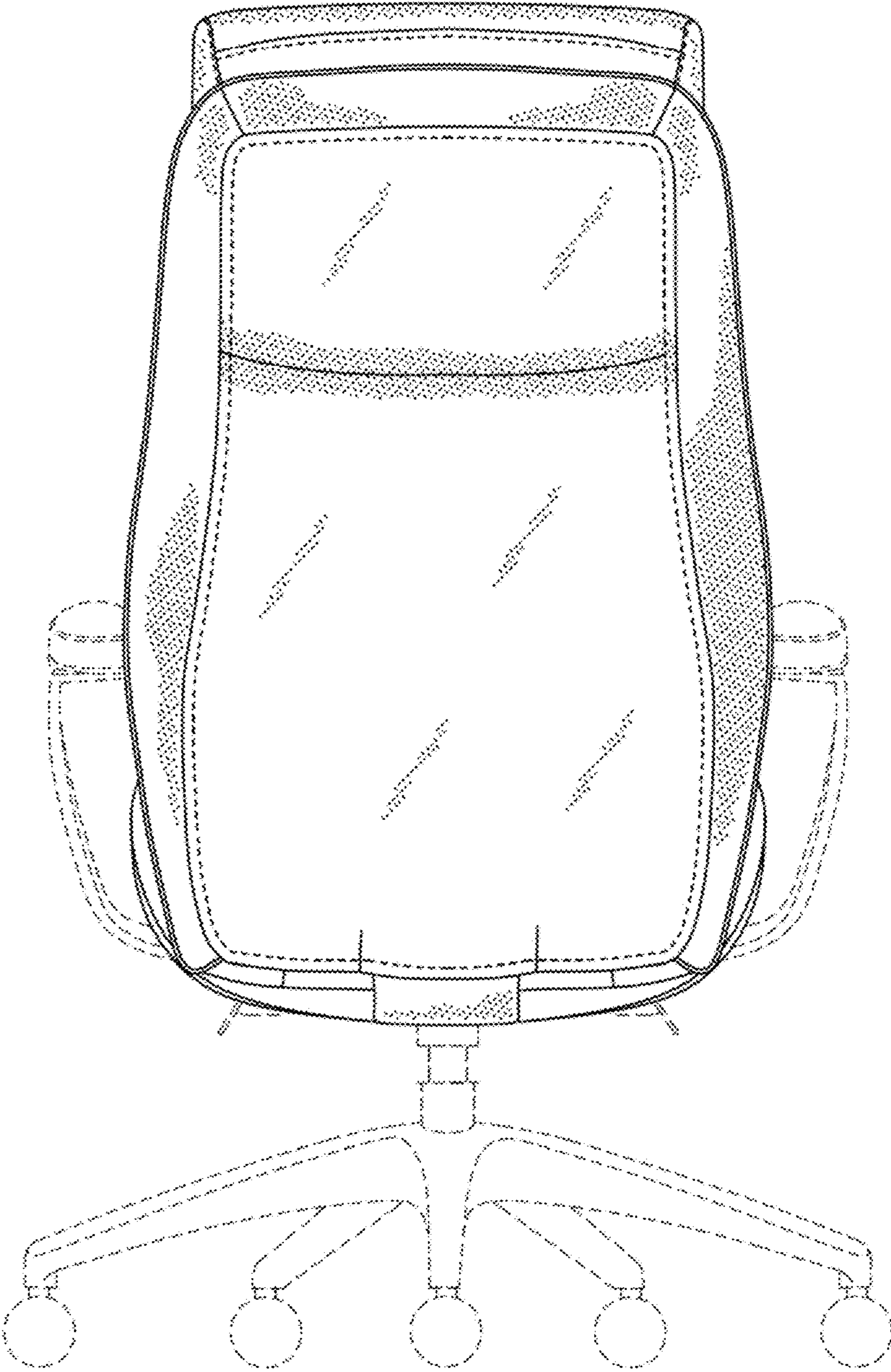


FIG. 5

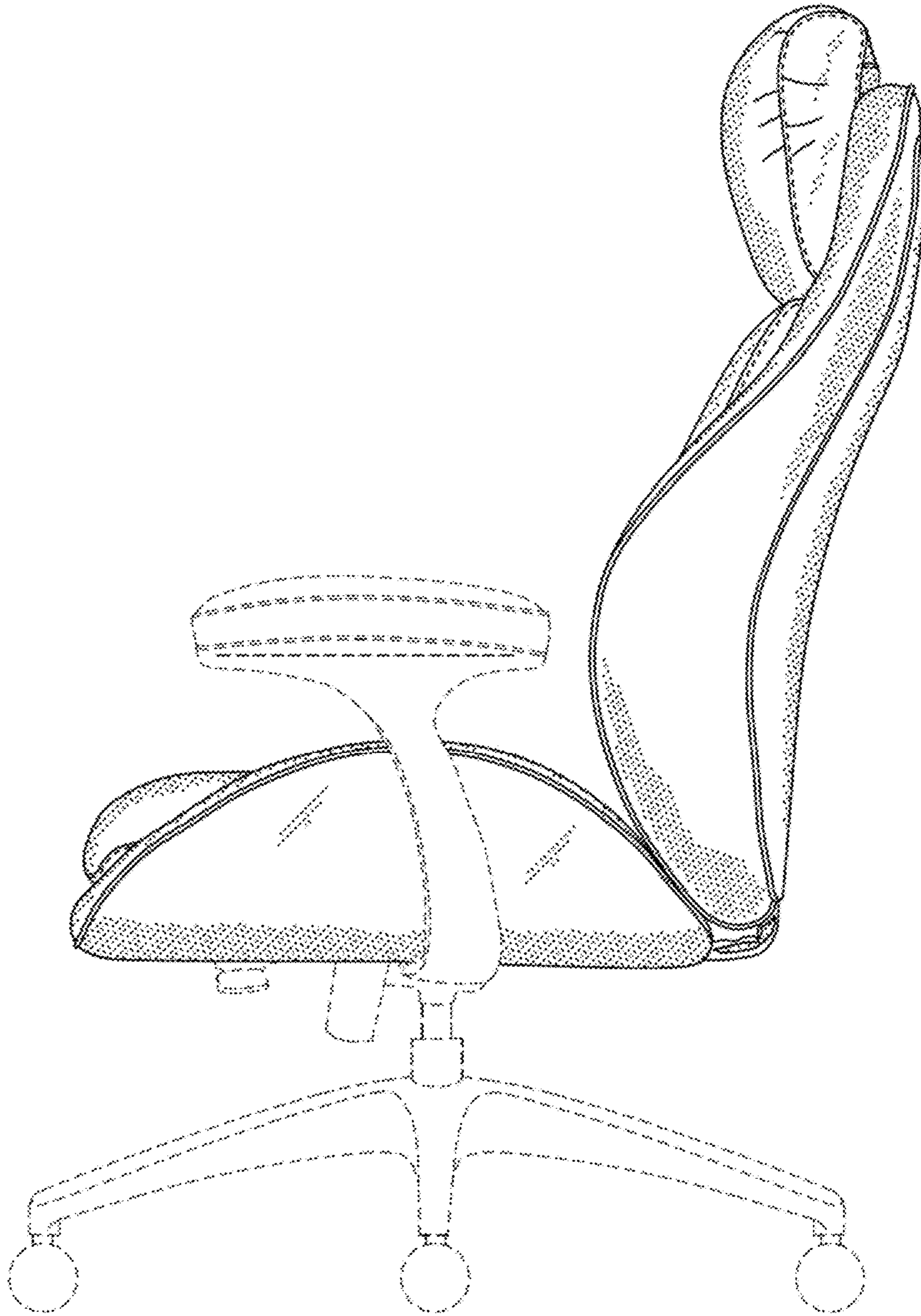


FIG. 6

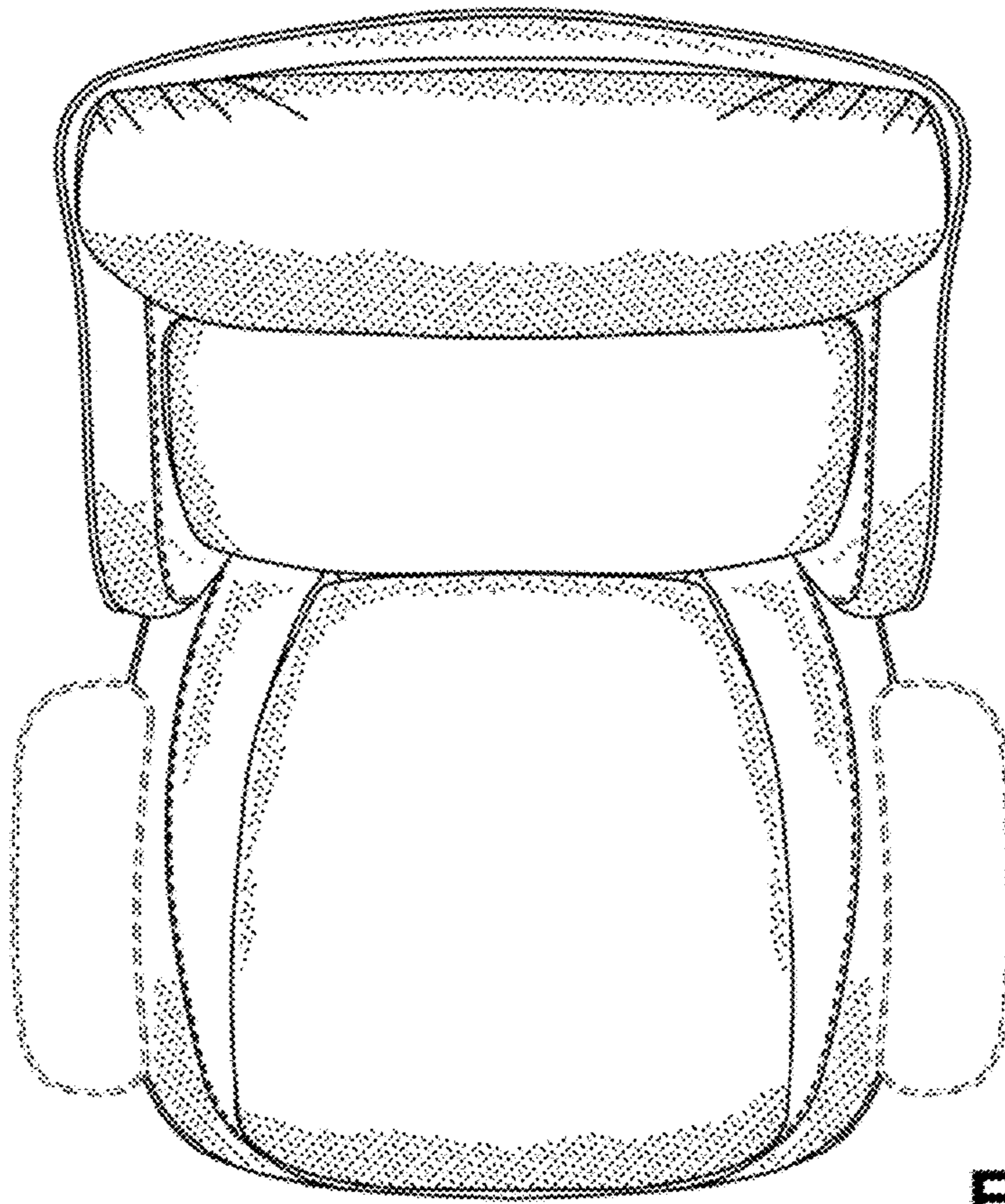


FIG. 7

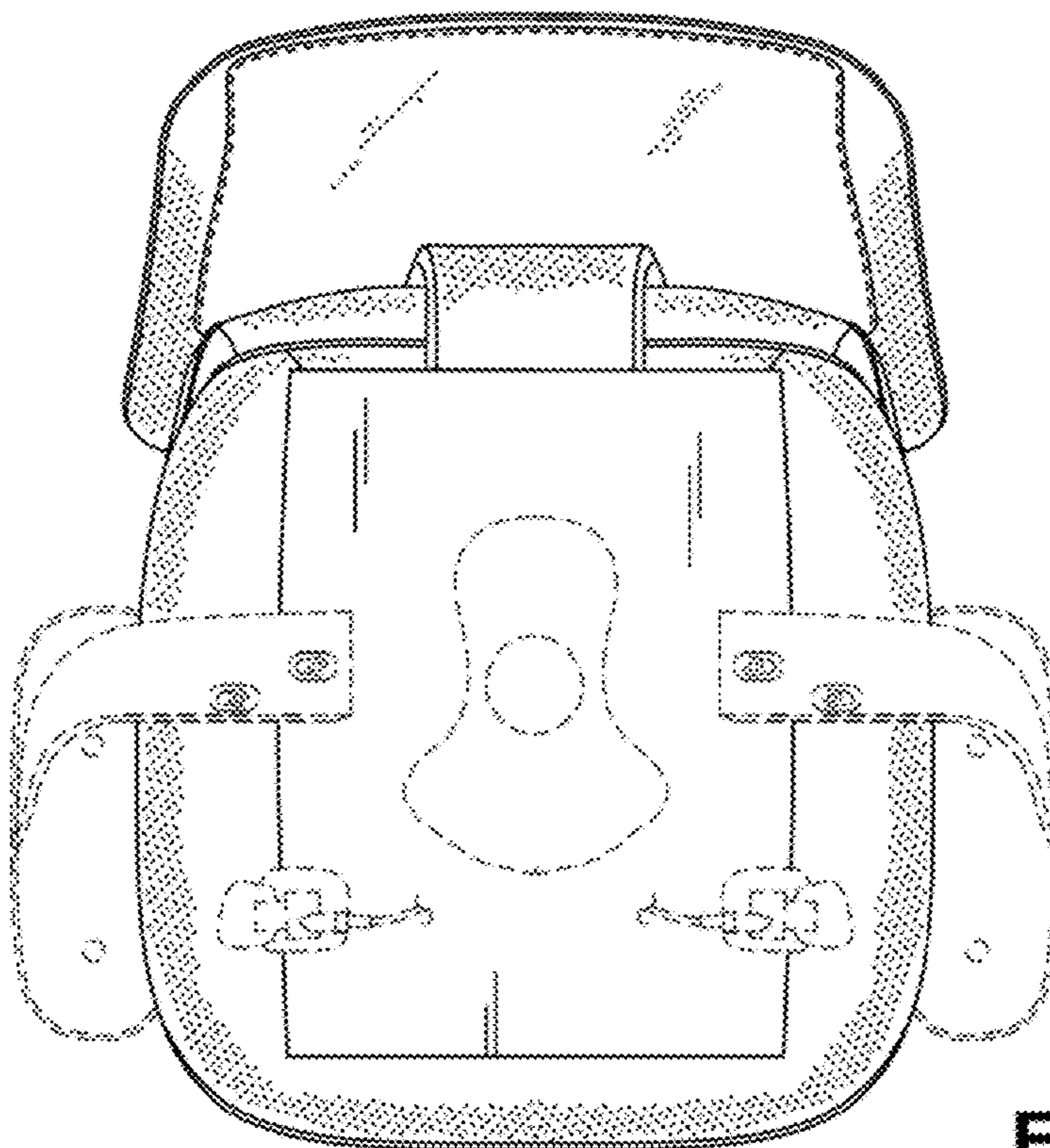


FIG. 8