



US00D935250S

(12) **United States Design Patent** (10) **Patent No.:** **US D935,250 S**
Kopp et al. (45) **Date of Patent:** **** Nov. 9, 2021**

(54) **STORAGE CONTAINER**

- (71) Applicant: **Suncast Technologies, LLC**, Palm Beach Gardens, FL (US)
- (72) Inventors: **Robert G. Kopp**, Elburn, IL (US); **Torrence Anderson**, Overland Park, KS (US); **Stephen Whitehead**, Elgin, IL (US)
- (73) Assignee: **Suncast Technologies, LLC**, Palm Beach Gardens, FL (US)
- (**) Term: **15 Years**

- (21) Appl. No.: **29/721,520**
- (22) Filed: **Jan. 21, 2020**
- (51) **LOC (13) Cl.** **06-04**
- (52) **U.S. Cl.**
USPC **D6/703.2; D3/272; D6/667**
- (58) **Field of Classification Search**
USPC **D3/294, 281, 282, 321, 272; D6/703.3, D6/667, 703, 663, 703.2; D25/160**
CPC **A47B 47/04**
See application file for complete search history.

(56) **References Cited**

U.S. PATENT DOCUMENTS

D200,046 S *	1/1965	Dillien	D6/703.3
D222,776 S *	12/1971	Satori	D6/703.3
D421,181 S *	2/2000	Tisbo	D3/273
D444,626 S *	7/2001	Anderson	D3/273
D788,499 S *	6/2017	Anderson	D6/667
D880,907 S *	4/2020	Leng	D6/667
D881,613 S *	4/2020	Leng	D6/663
2007/0001561 A1 *	1/2007	Sabo	A47B 67/00
				312/316

OTHER PUBLICATIONS

Home Depot, "Trellis 101 Gal. Resin Deck Box", First reviewed Apr. 9, 2019. (<https://www.homedepot.com/p/Suncast-Trellis-101-Gal-Resin-Deck-Box-DB9902J/306532875>) (Year: 2019).*

Home Depot, "Trellis 22 Gal. Resin Deck Box", First reviewed Feb. 12, 2019. (<https://www.homedepot.com/p/Suncast-Trellis-22-Gal-Resin-Deck-Box-SS502J/306532532>) (Year: 2019).*

* cited by examiner

Primary Examiner — April Rivas

(74) *Attorney, Agent, or Firm* — McHale & Slavin, P.A.

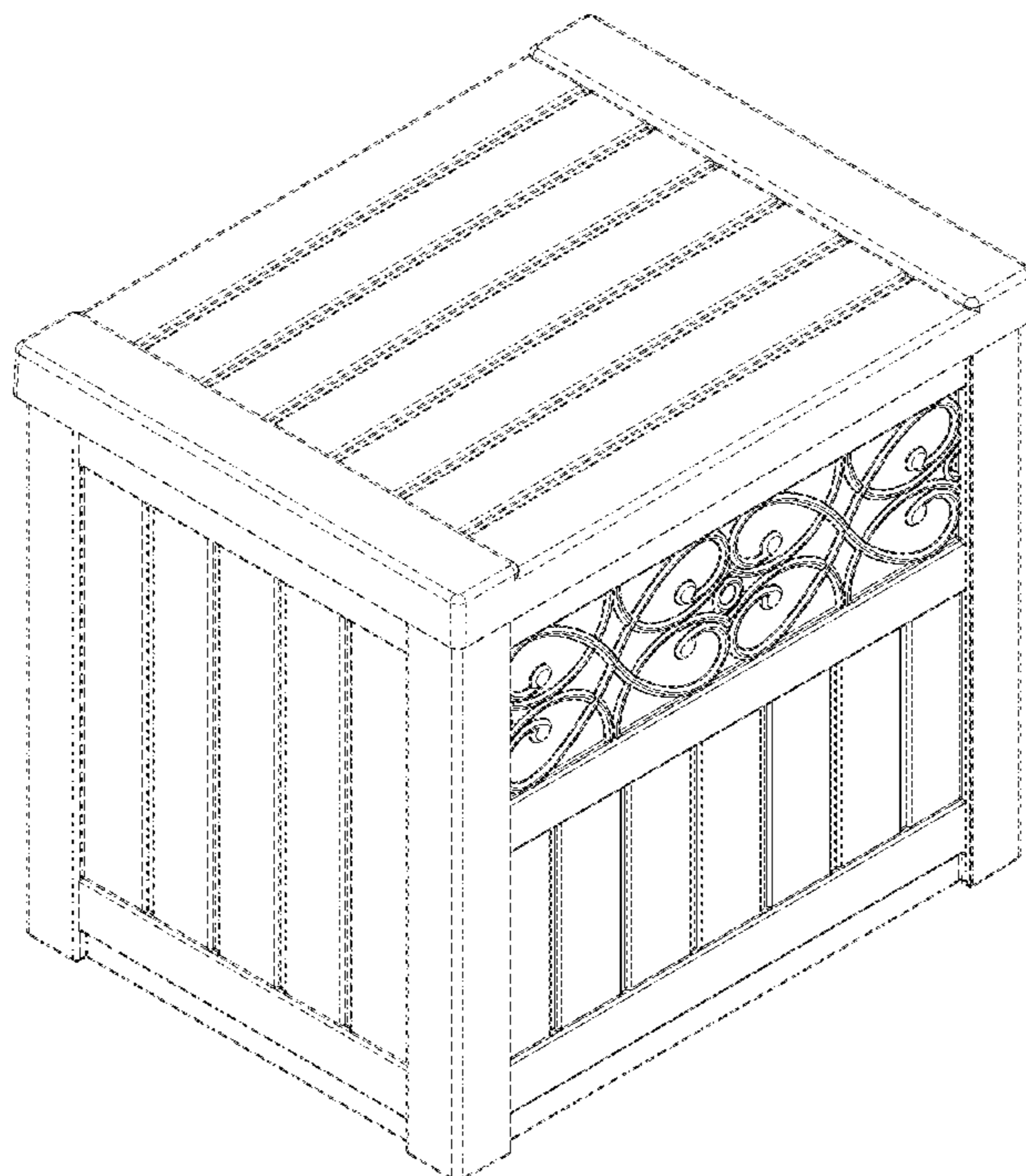
(57) **CLAIM**

The ornamental design for a storage container, as shown and described.

DESCRIPTION

FIG. 1 is a top front left perspective view of the storage container of the present invention;
 FIG. 2 is a top front right view thereof;
 FIG. 3 is a right side view thereof;
 FIG. 4 is a left side view thereof;
 FIG. 5 is a front view thereof;
 FIG. 6 is a rear view thereof;
 FIG. 7 is a top view thereof;
 FIG. 8 is a bottom view thereof;
 FIG. 9 is a bottom front left view thereof; and,
 FIG. 10 is a bottom left right view thereof.
 The portions of the Figures shown in broken lines form no part of the claimed design storage container.

1 Claim, 10 Drawing Sheets



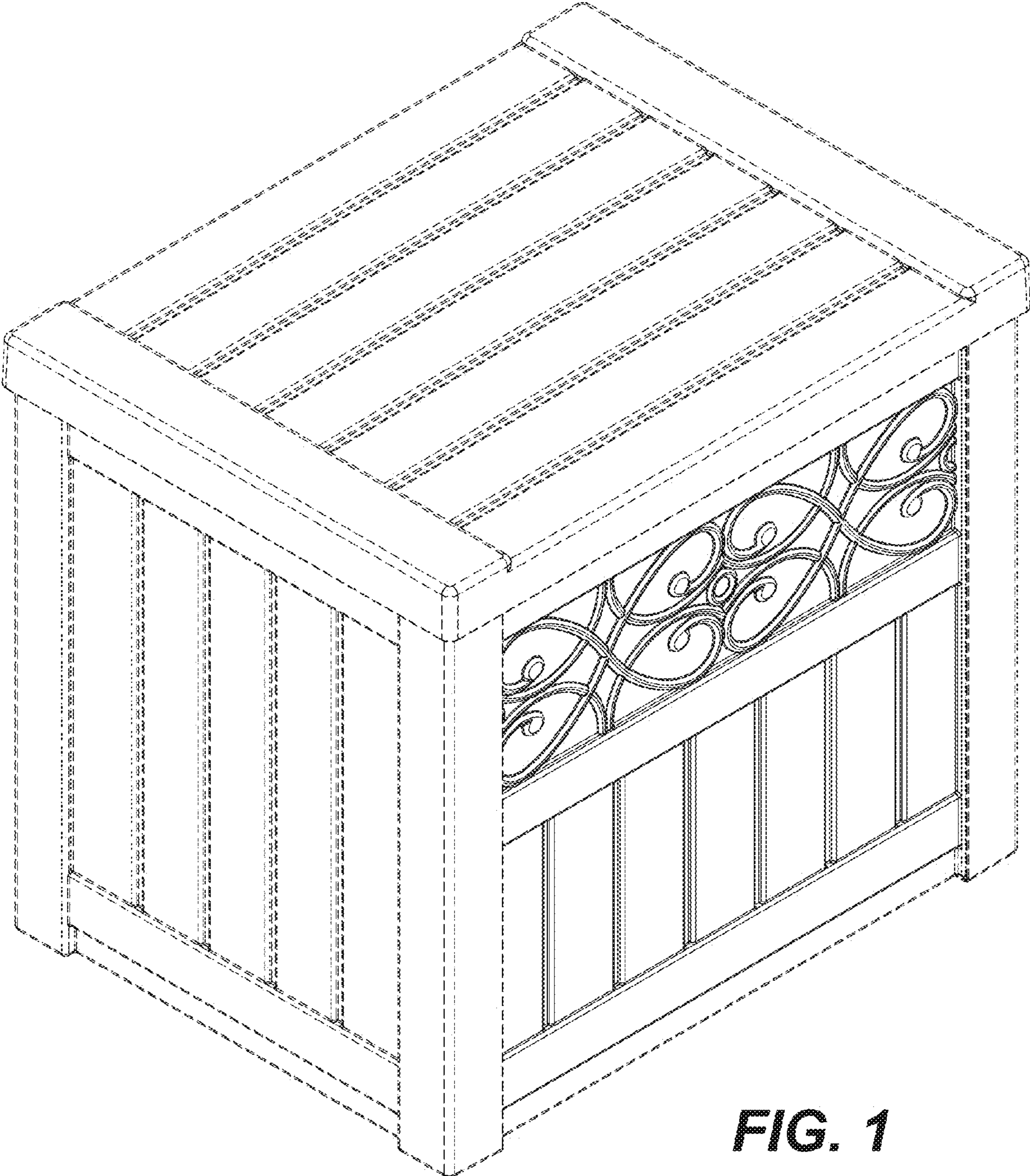


FIG. 1

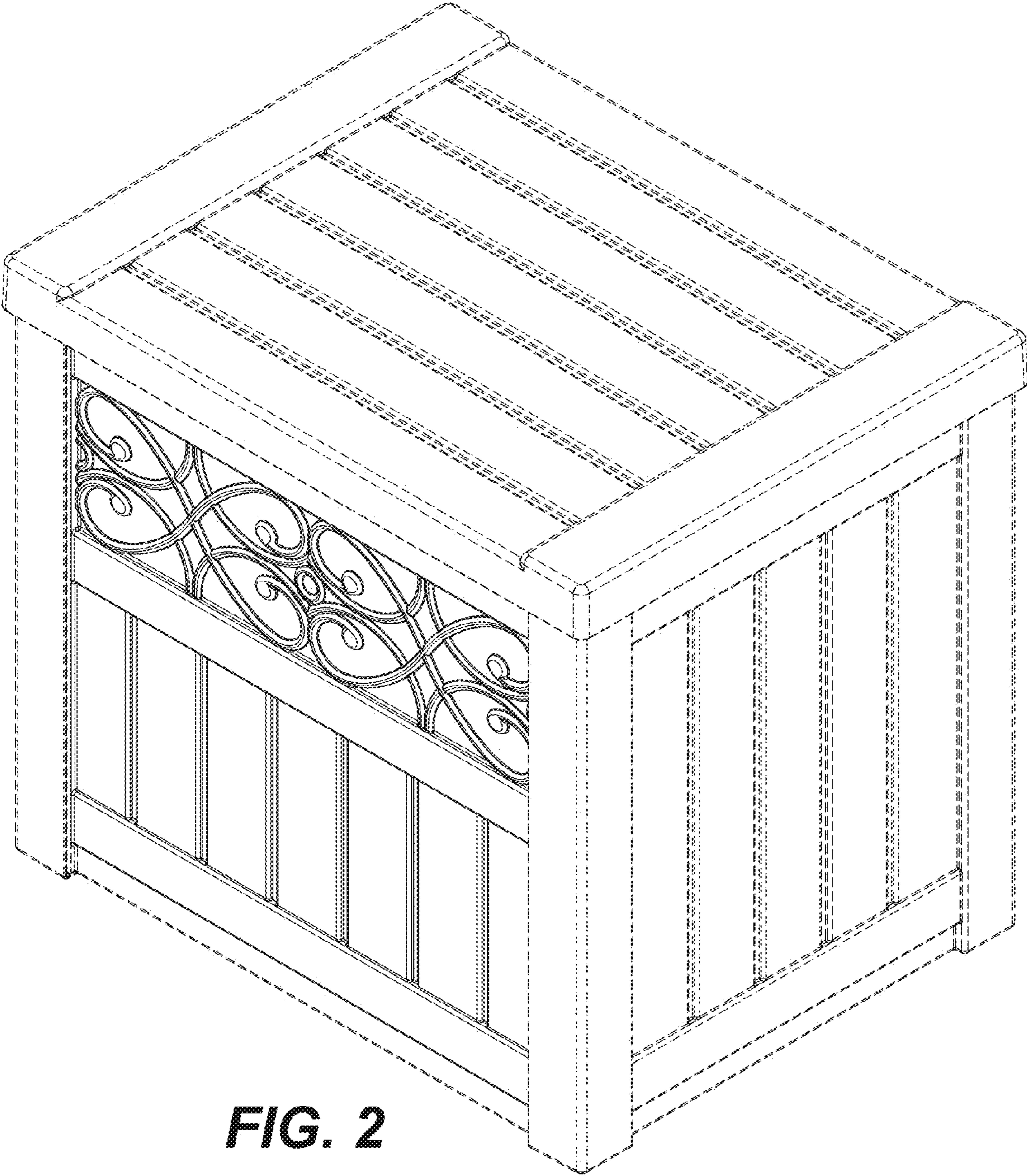


FIG. 2

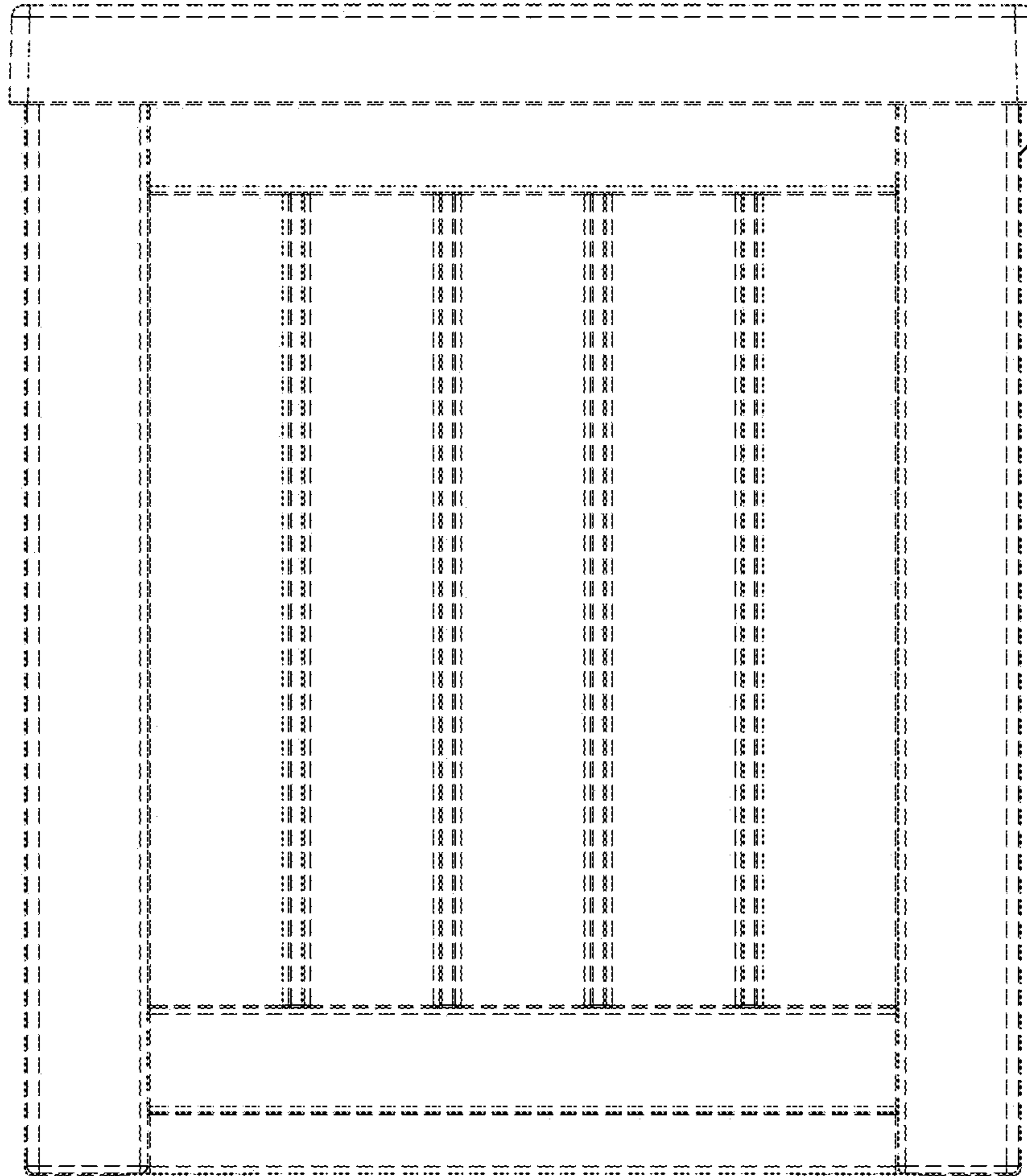


FIG. 3

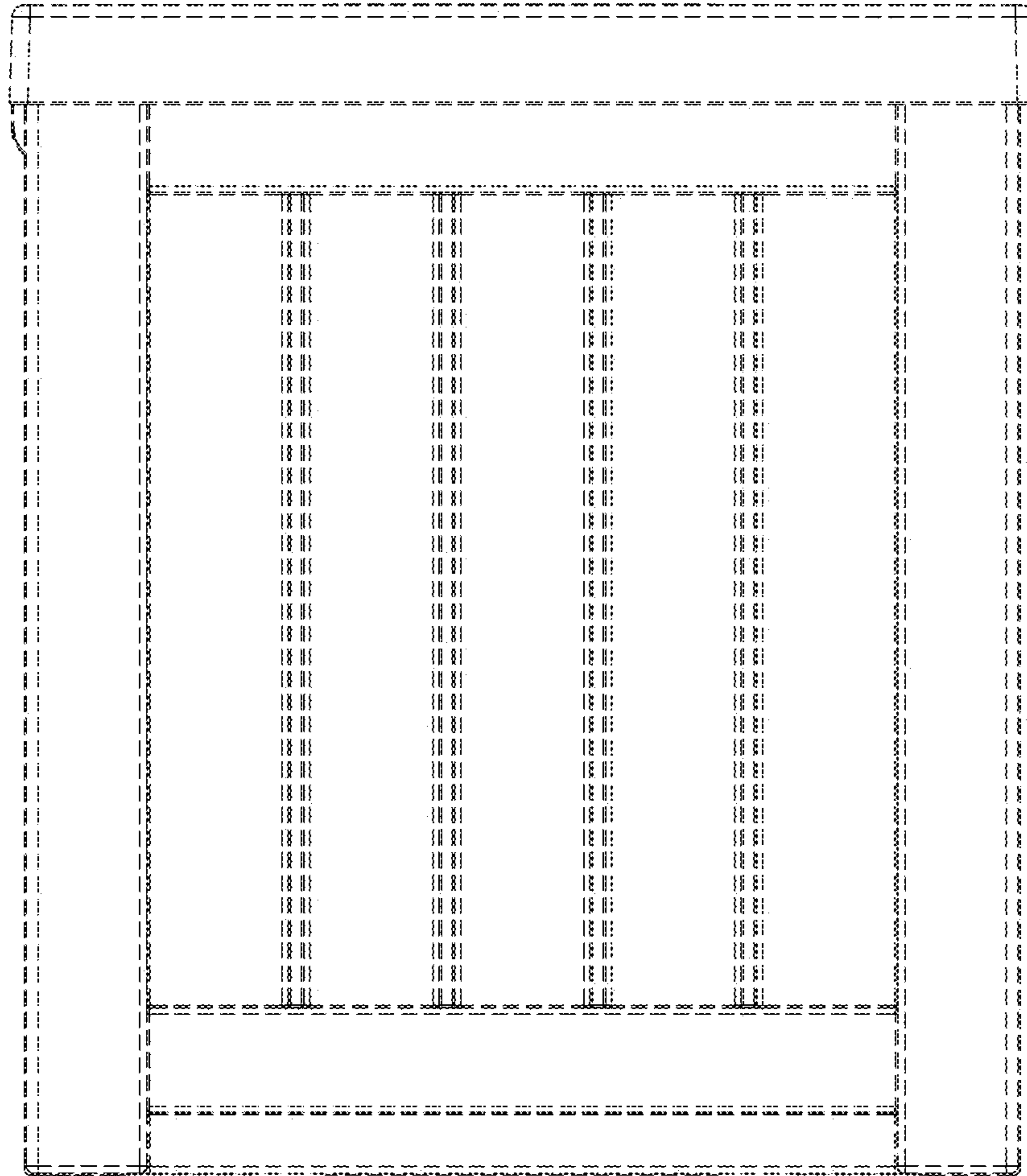


FIG. 4

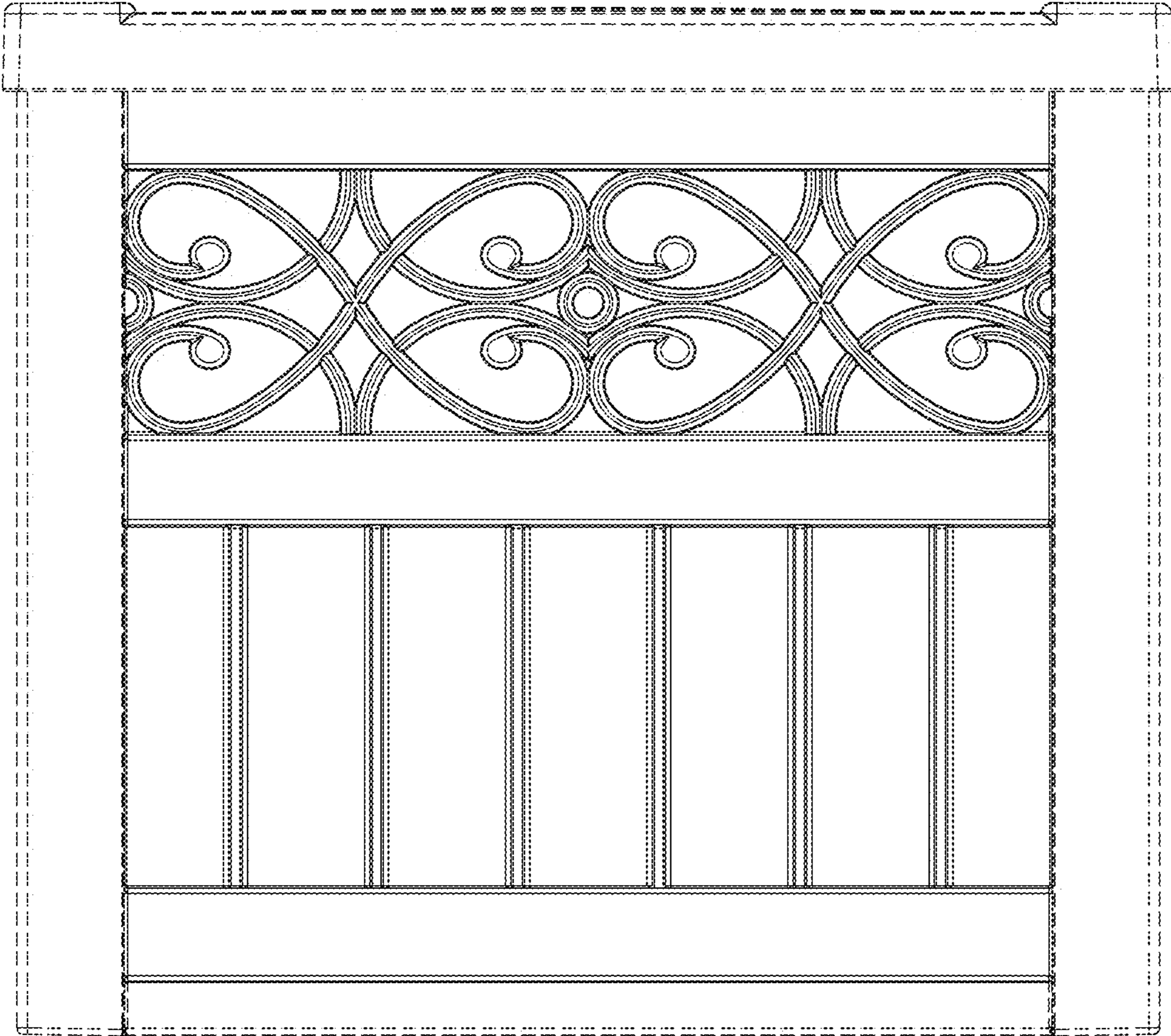


FIG. 5

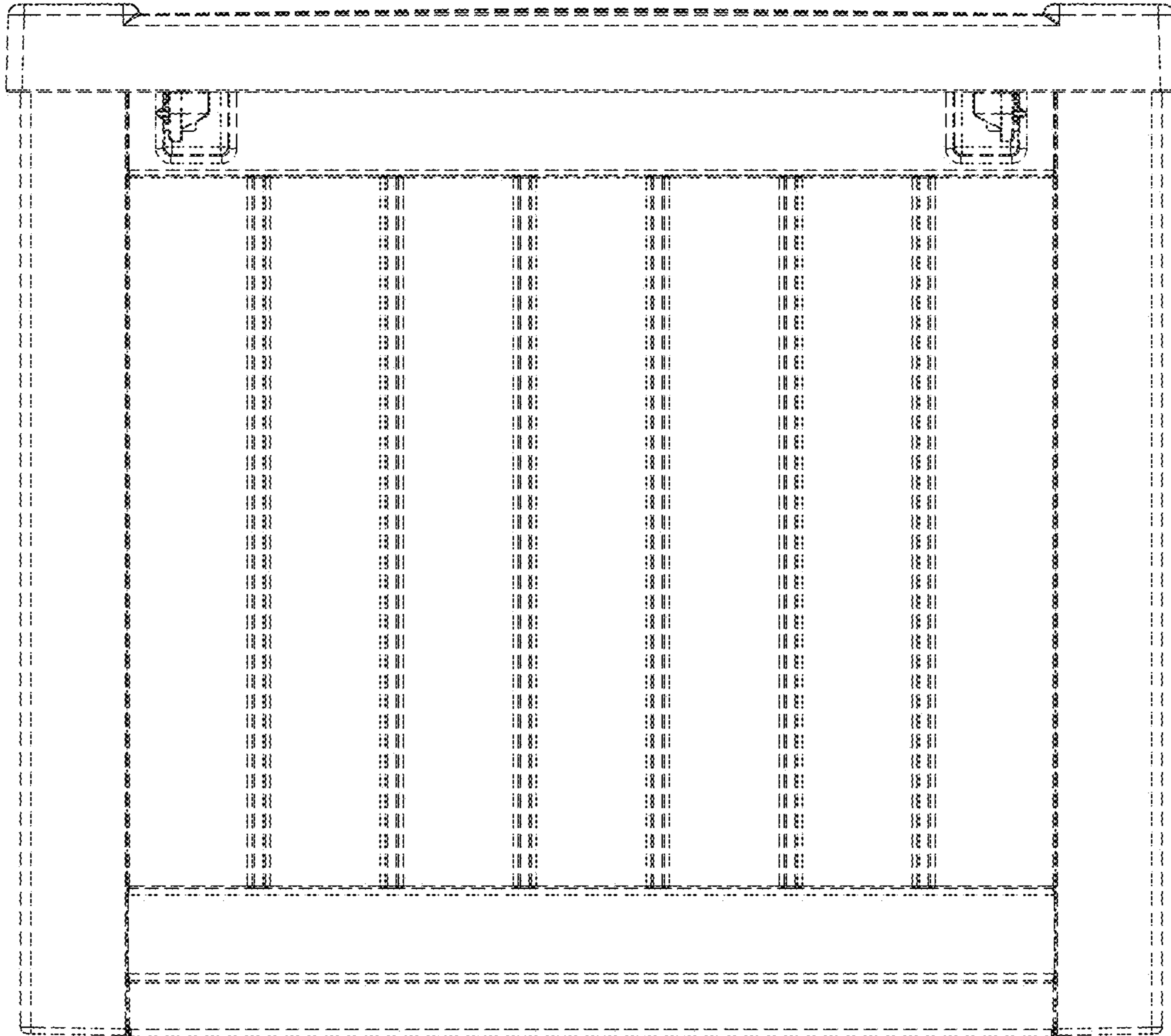


FIG. 6

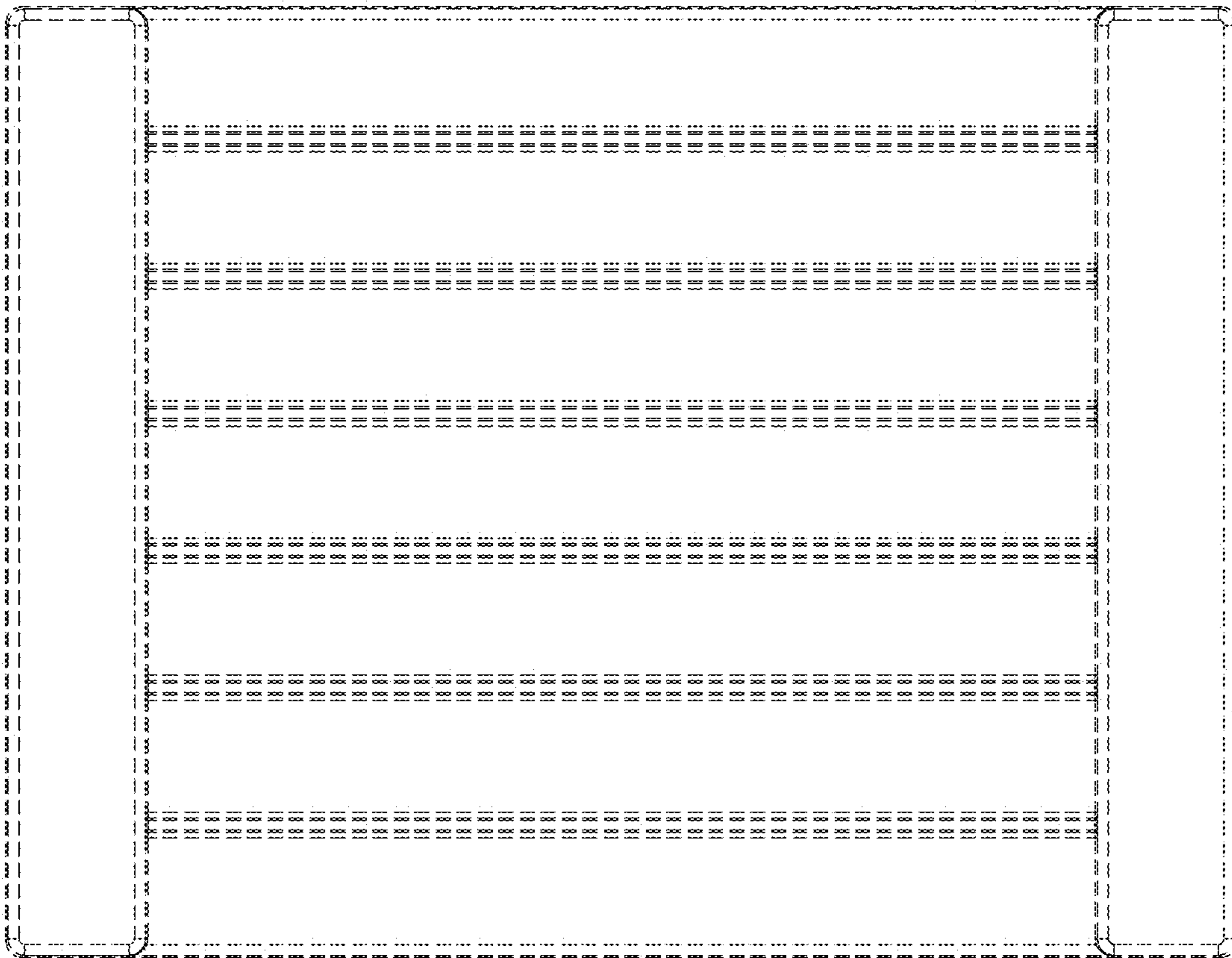


FIG. 7

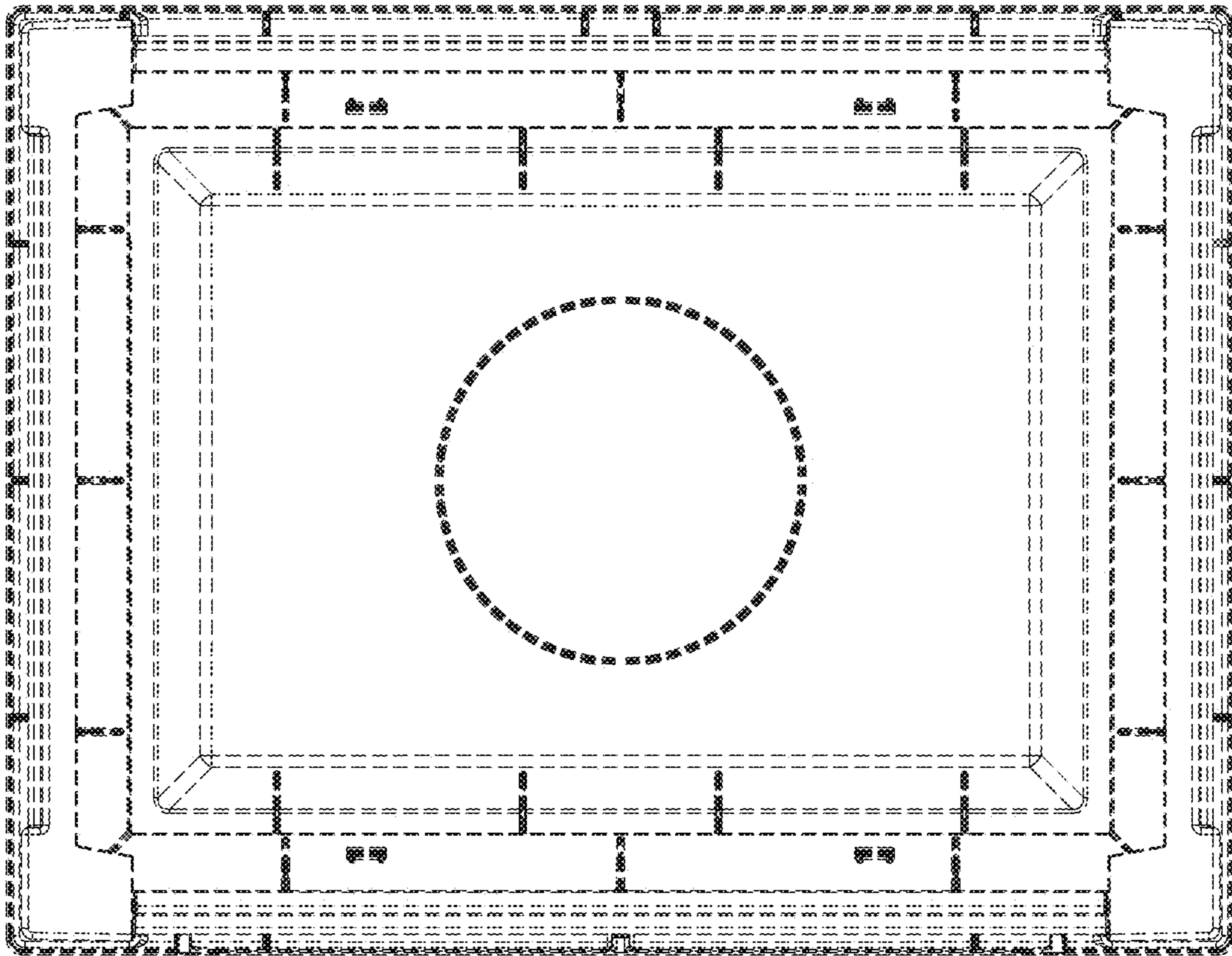


FIG. 8

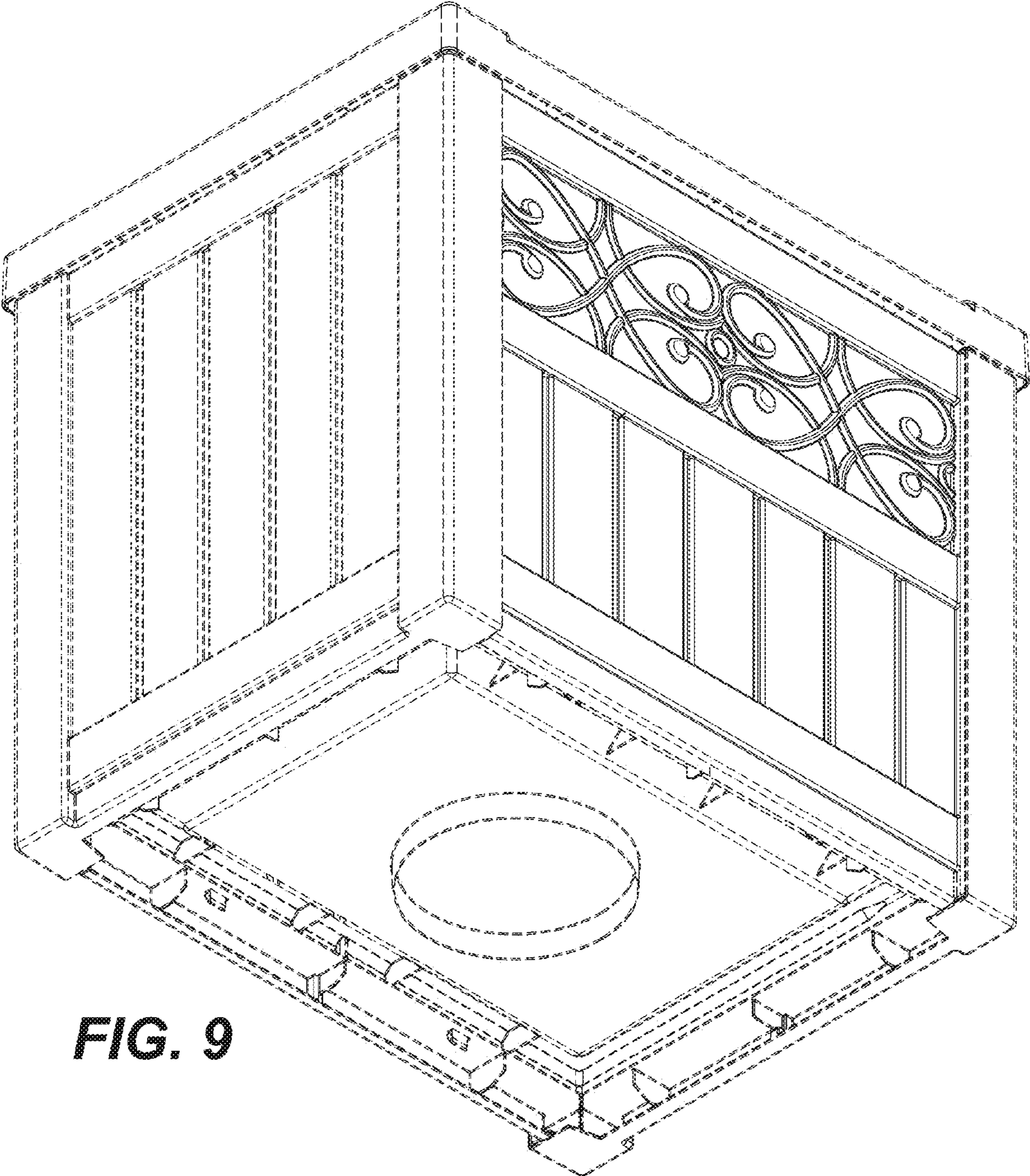


FIG. 9

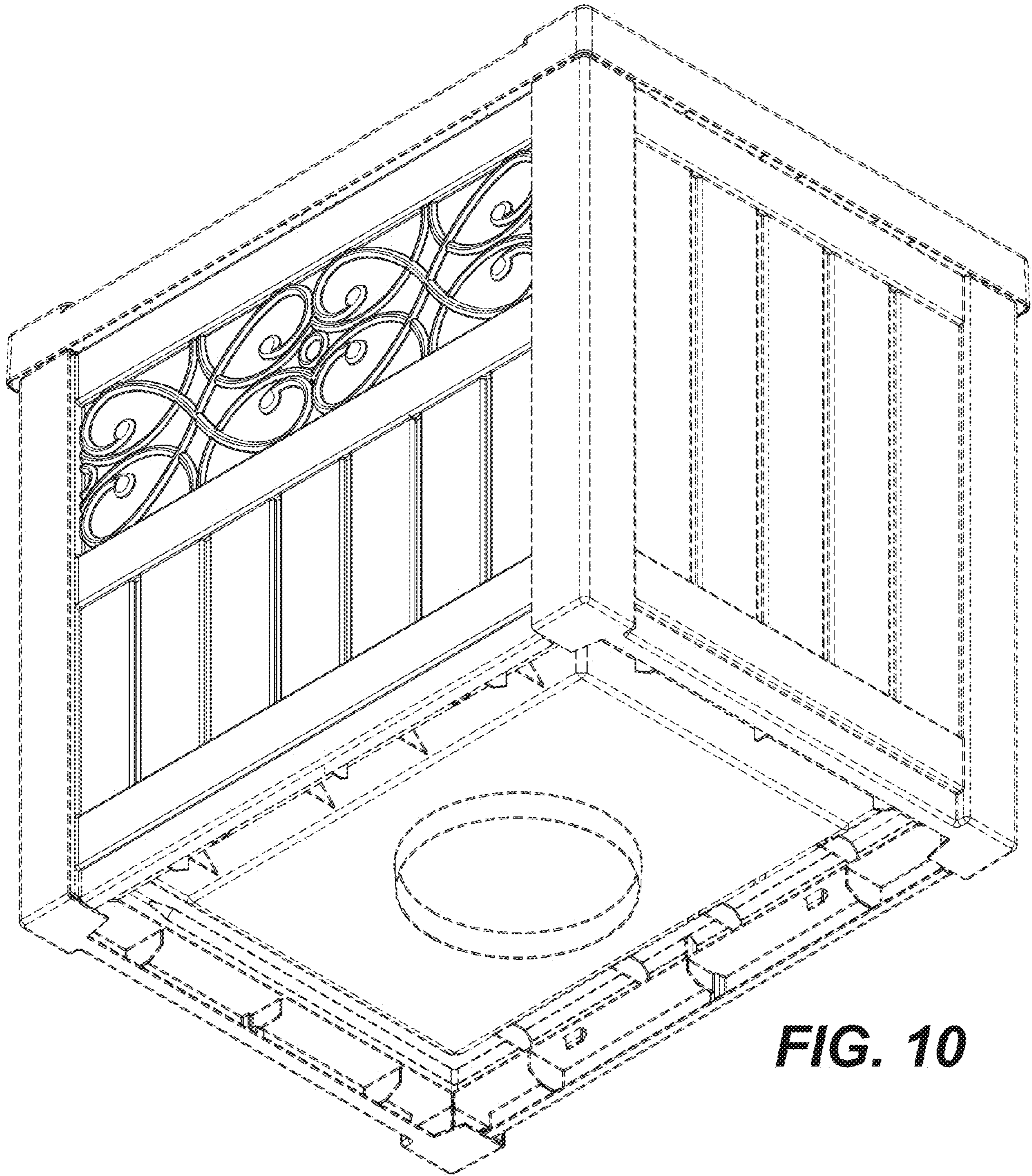


FIG. 10