



US00D935247S

(12) **United States Design Patent**
Jin

(10) **Patent No.:** **US D935,247 S**

(45) **Date of Patent:** **** Nov. 9, 2021**

(54) **TV STAND**

(71) Applicant: **Shenzhen Prime Technology Co., Ltd,**
Shenzhen (CN)

(72) Inventor: **Wenwu Jin,** Shenzhen (CN)

(73) Assignee: **Shenzhen Prime Technology Co., Ltd,**
Shenzhen (CN)

(**) Term: **15 Years**

(21) Appl. No.: **29/754,444**

(22) Filed: **Oct. 11, 2020**

(51) **LOC (13) Cl.** **06-06**

(52) **U.S. Cl.**
USPC **D6/678.1**

(58) **Field of Classification Search**
USPC D6/672, 673, 675, 675.1, 678, 678.1,
D6/678.2, 680.2, 682
CPC . A47B 47/00; A47B 47/0075; A47B 47/0091;
A47B 45/00; A47B 81/06; A47B 81/061;
A47F 5/00; A47F 5/0081
See application file for complete search history.

(56) **References Cited**

U.S. PATENT DOCUMENTS

D567,546 S	4/2008	Liu	
D591,089 S *	4/2009	Sexton	D6/675.1
D593,776 S	6/2009	Sexton	
D595,978 S *	7/2009	Portnoy	D6/675.3
D607,671 S *	1/2010	Sexton	D6/675.1
D609,942 S *	2/2010	Sexton	D6/675.3

D618,015 S *	6/2010	Sexton	D6/678.2
D619,827 S *	7/2010	Sculler	D6/678.1
D640,070 S *	6/2011	Sexton	D6/675.3
D640,071 S *	6/2011	Sexton	D6/678.2
D640,072 S *	6/2011	Sexton	D6/678.2
D644,854 S *	9/2011	Sexton	D6/675.1
8,079,311 B2 *	12/2011	Whalen	A47B 81/00 108/42
D671,338 S *	11/2012	Sexton	D6/675.1
D677,078 S *	3/2013	Lambright	D6/675.3
D690,542 S *	10/2013	Chung	D6/678.1
D719,384 S *	12/2014	Sowers	D6/678.2
D753,930 S *	4/2016	Vengadkrishnan	D6/514
D773,862 S *	12/2016	Davis	D6/661

* cited by examiner

Primary Examiner — Kelley A Donnelly

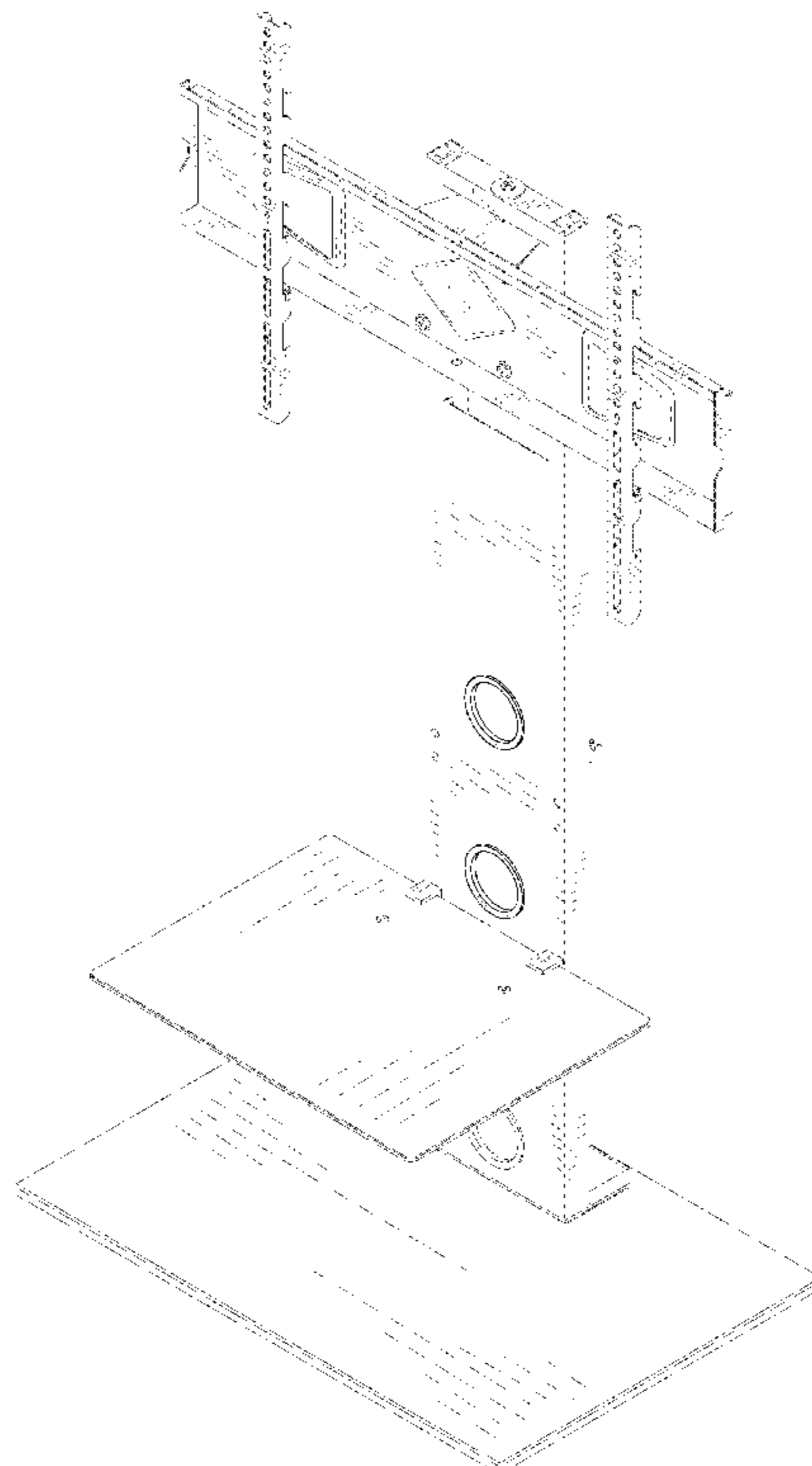
(57) **CLAIM**

The ornamental design for a TV stand, as shown and described.

DESCRIPTION

FIG. 1 is a perspective view of a TV stand showing my new design;
FIG. 2 is a front view thereof;
FIG. 3 is a back view thereof;
FIG. 4 is a right side view thereof;
FIG. 5 is a left side view thereof;
FIG. 6 is a top view thereof; and,
FIG. 7 is a bottom view thereof.
The broken lines in the drawing depict environmental subject matter only and form no part of the claimed design.

1 Claim, 7 Drawing Sheets



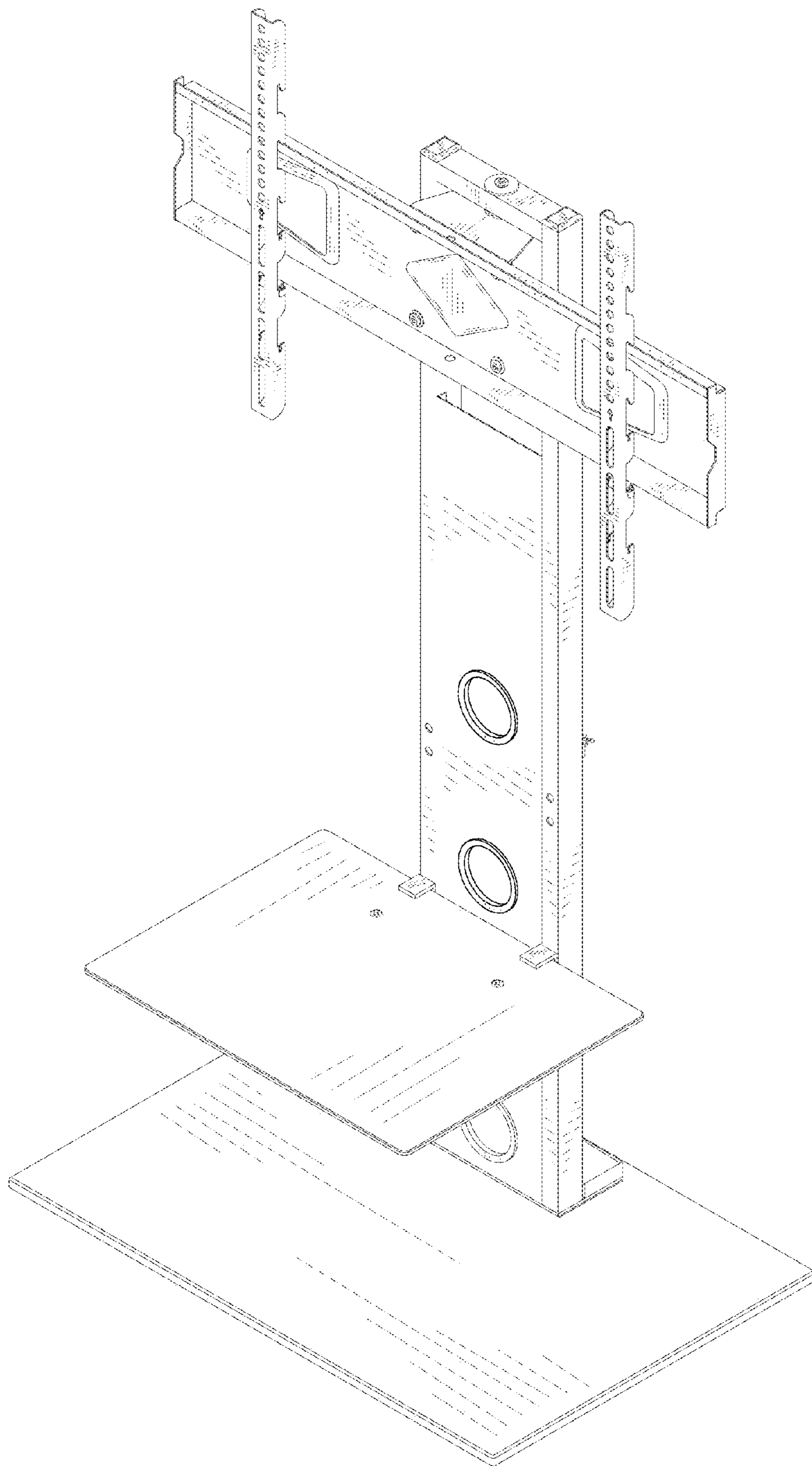


FIG.1

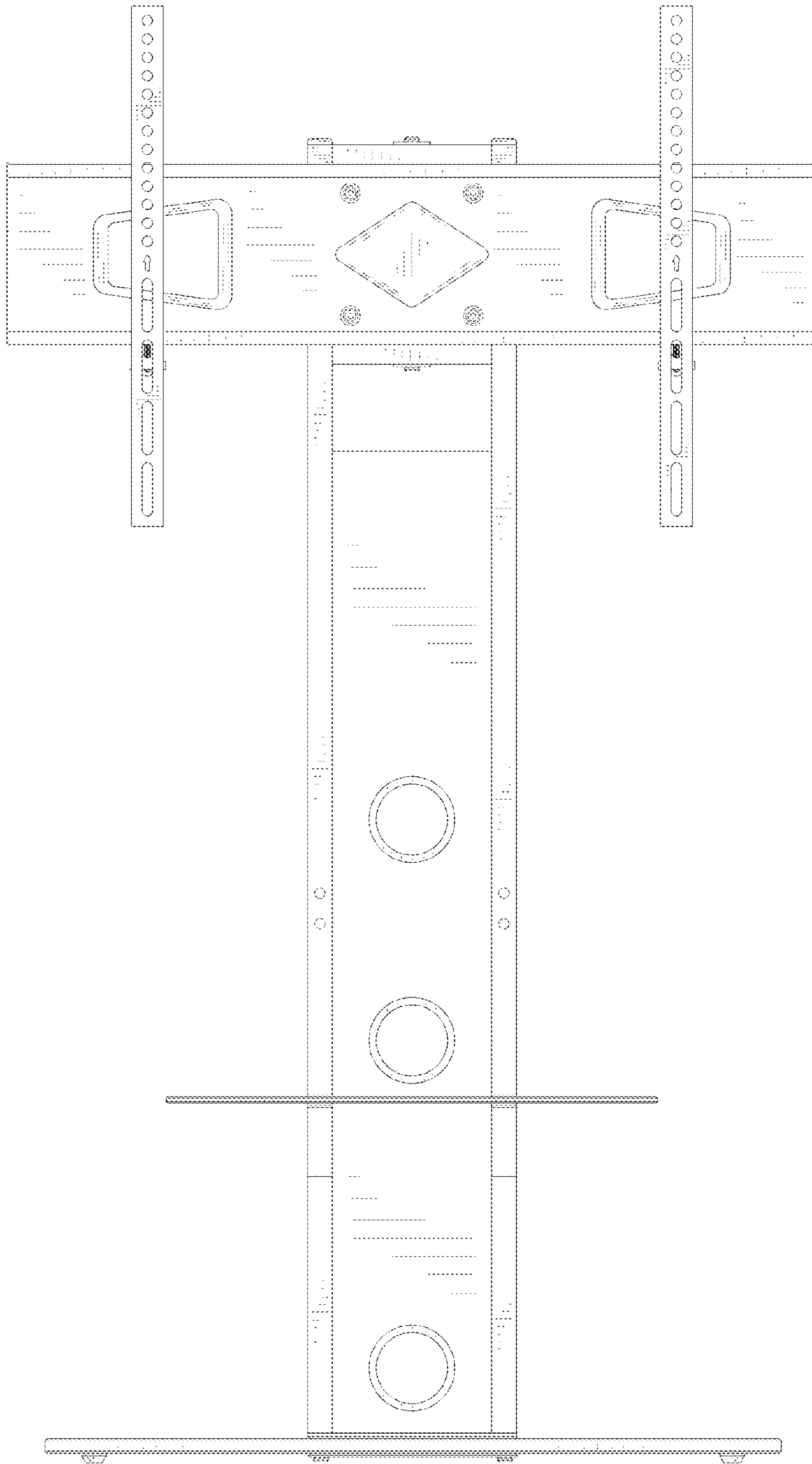


FIG. 2

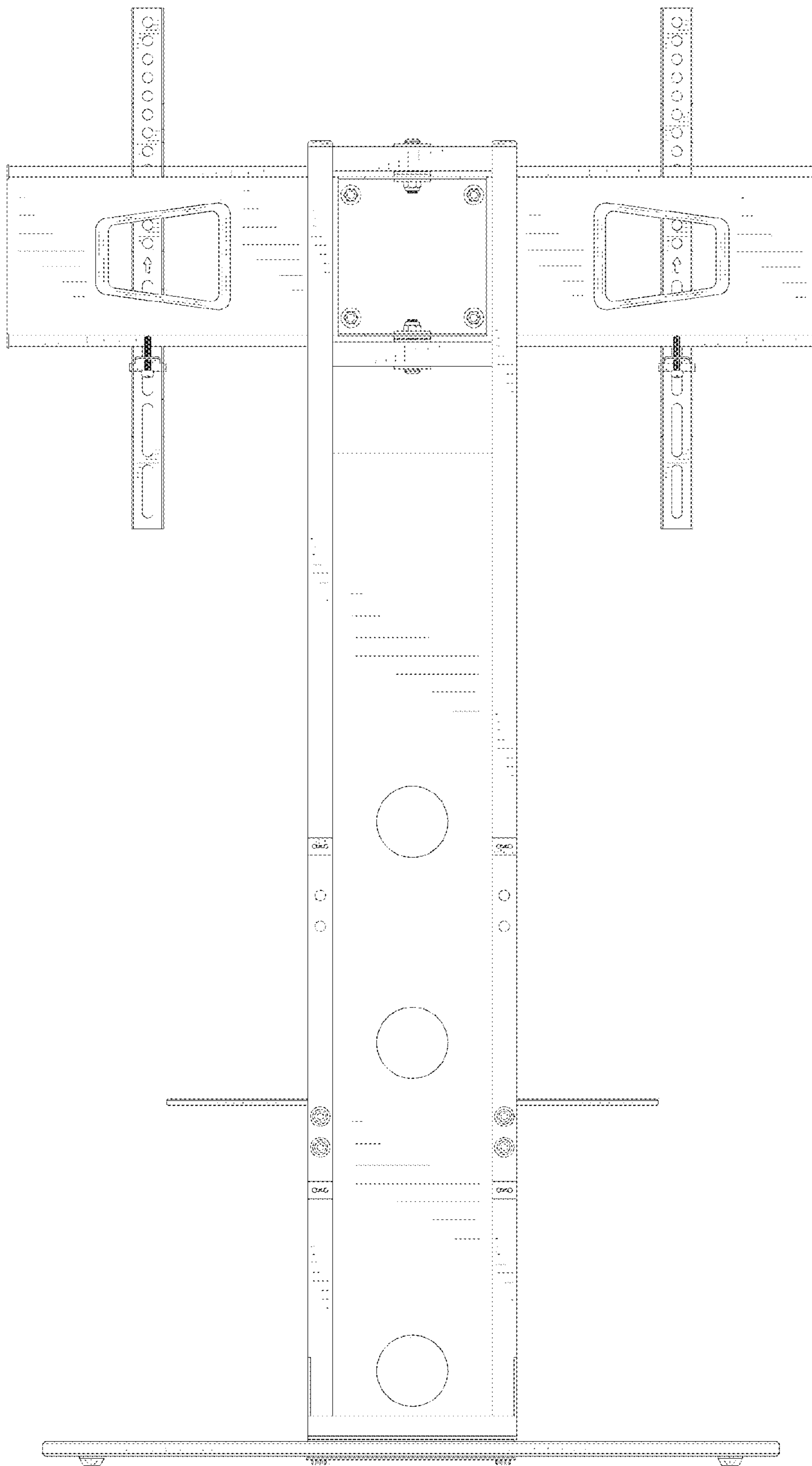


FIG. 3

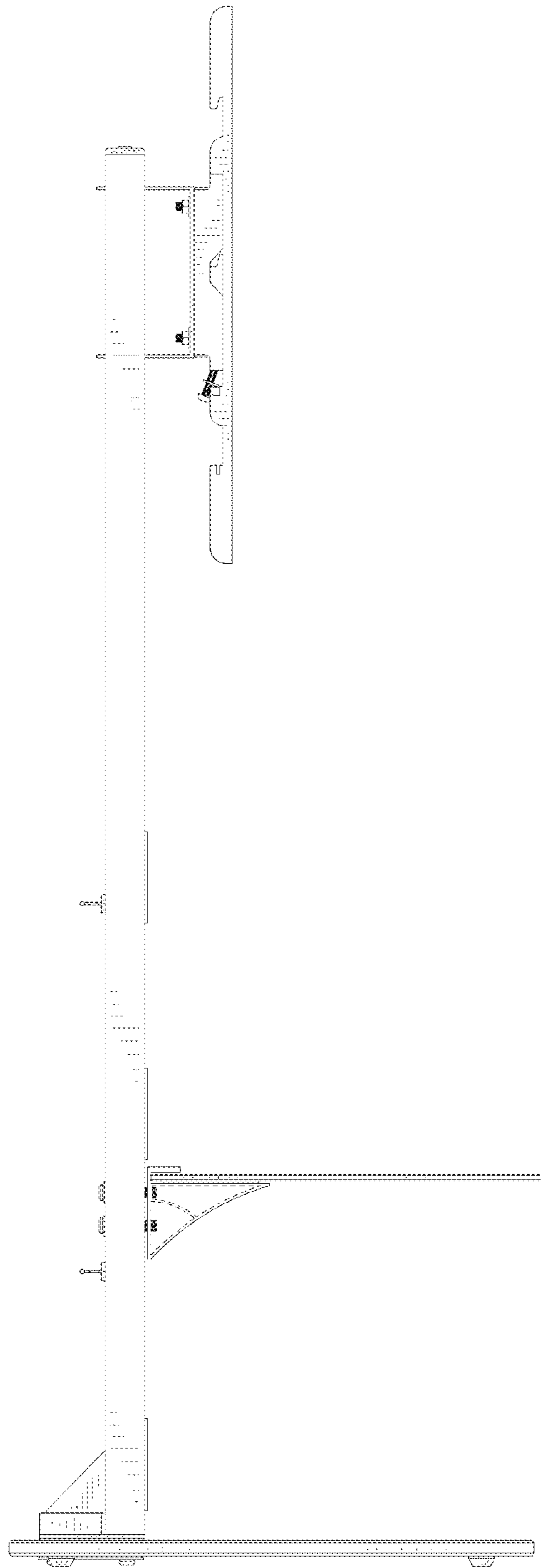


FIG. 4

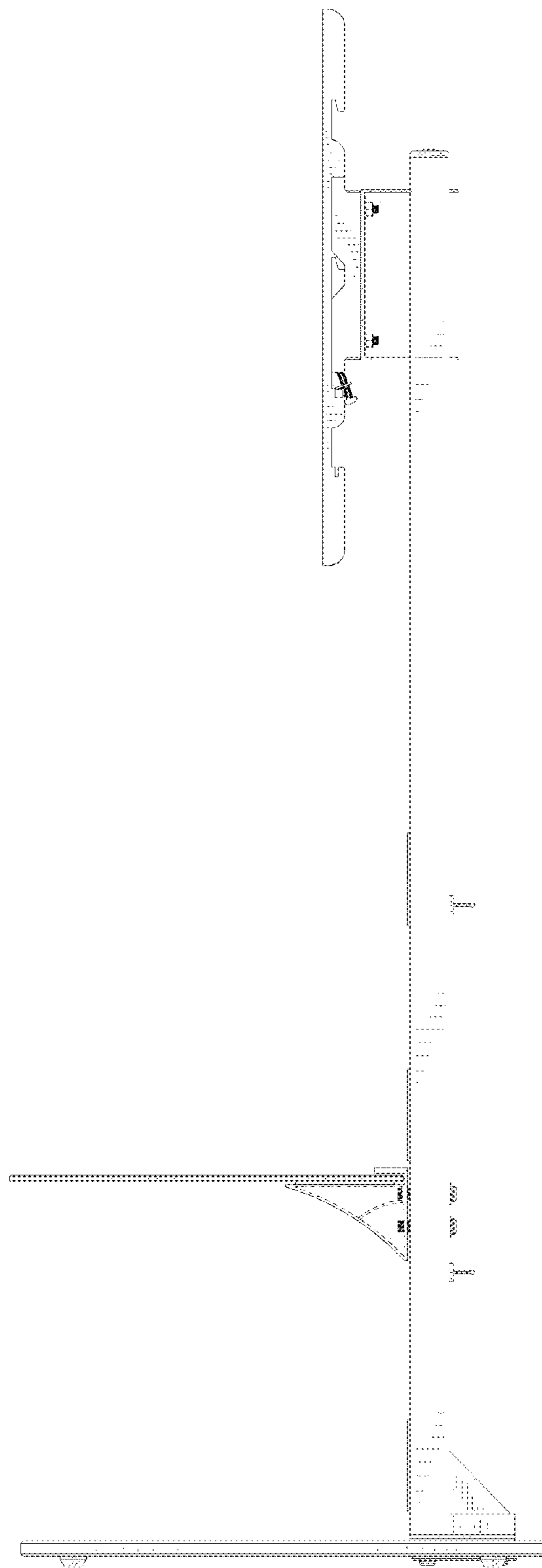


FIG. 5

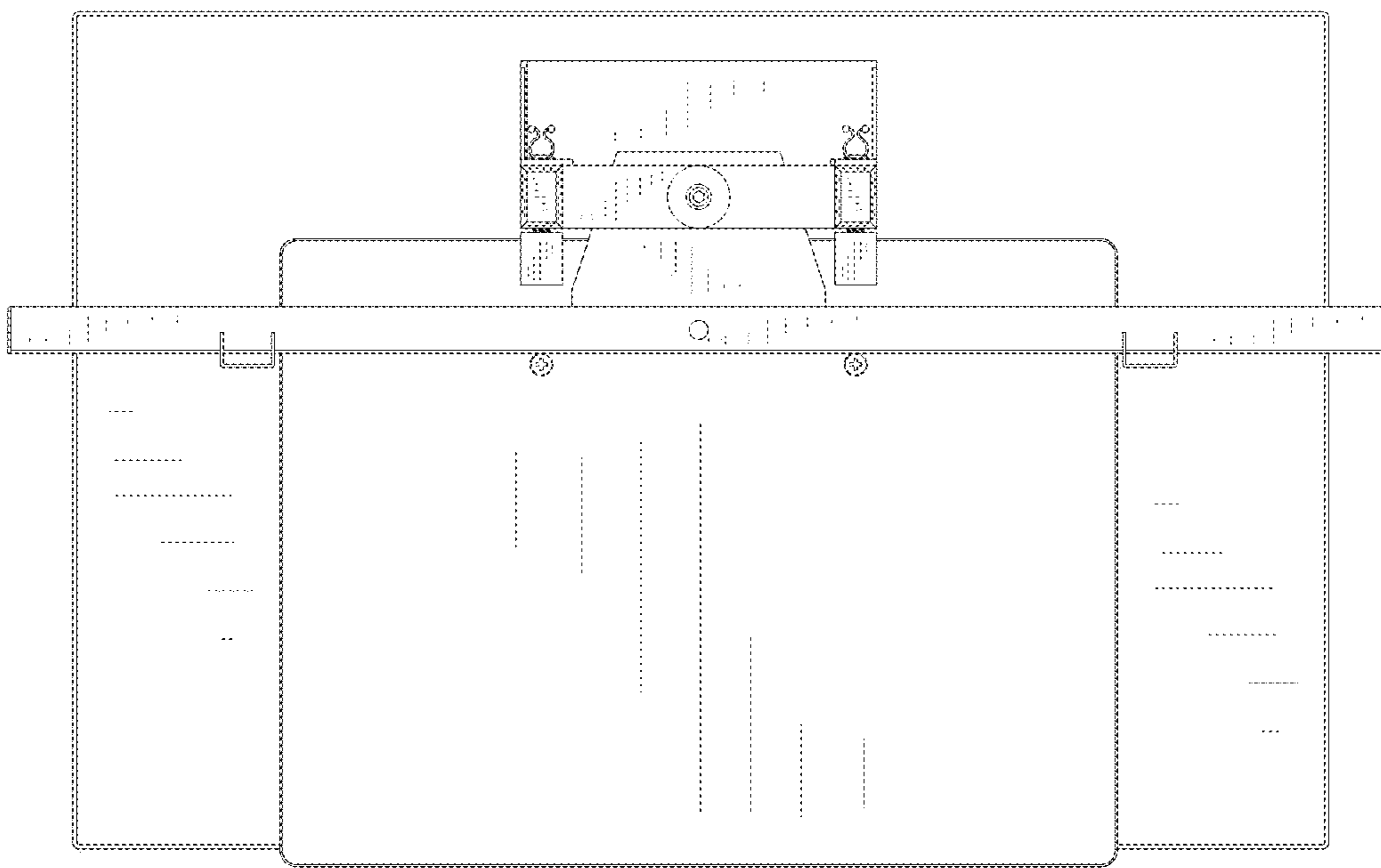


FIG. 6

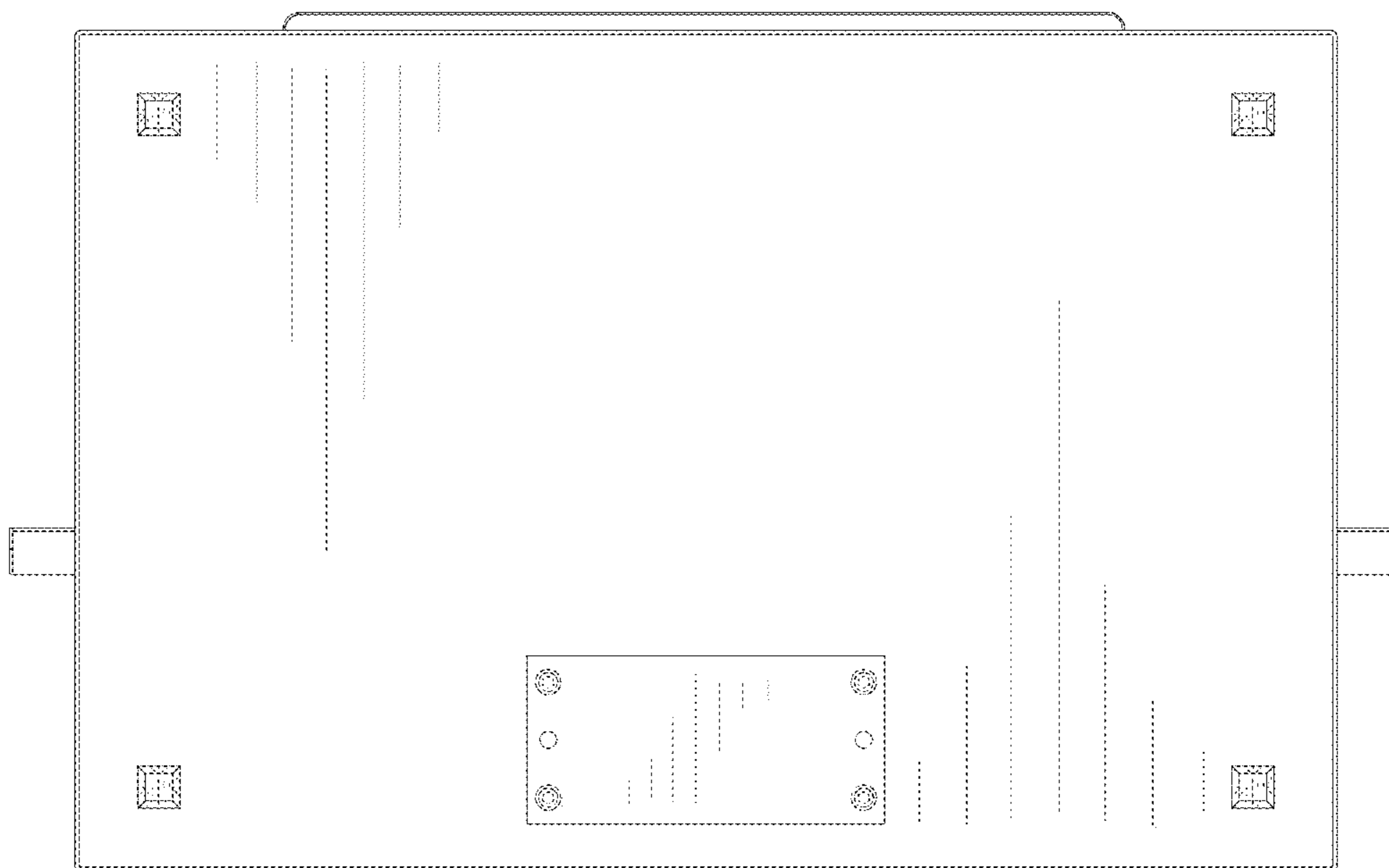


FIG. 7