



US00D935246S

(12) **United States Design Patent**  
**Peng**

(10) **Patent No.:** **US D935,246 S**

(45) **Date of Patent:** **\*\* Nov. 9, 2021**

(54) **SHELF**

(71) Applicant: **PINGJIANG FANGAO**  
**E-COMMERCE CO., LTD.**, Yueyang  
(CN)

(72) Inventor: **Yan Peng**, Yueyang (CN)

(73) Assignee: **PINGJIANG FANGAO**  
**E-COMMERCE CO., LTD.**, Yueyang  
(CN)

(\*\*) Term: **15 Years**

(21) Appl. No.: **29/778,773**

(22) Filed: **Apr. 14, 2021**

(51) **LOC (13) Cl.** ..... **06-06**

(52) **U.S. Cl.**  
USPC ..... **D6/677.1**

(58) **Field of Classification Search**  
USPC ..... D6/672-673, 677, 677.1, 702, 705;  
D7/601-602

CPC ..... A47J 47/16; A47G 23/06; A47F 5/0018;  
A47F 5/0043; A47F 5/04; A47F 5/0081;  
A47F 5/02

See application file for complete search history.

(56) **References Cited**

**U.S. PATENT DOCUMENTS**

1,717,943 A \* 6/1929 Smith ..... A47F 5/025  
312/125  
D288,878 S \* 3/1987 Munson ..... D6/677.1  
D329,153 S \* 9/1992 Kijanka ..... 211/40

D354,862 S \* 1/1995 Goldberg ..... D6/677.1  
D362,787 S \* 10/1995 Burke ..... D7/501  
D455,577 S \* 4/2002 Wilson, Jr. .... D6/677.1  
D480,581 S \* 10/2003 Searer ..... D6/677.1  
6,755,310 B1 \* 6/2004 Hilton ..... A47F 1/08  
211/194  
D601,365 S \* 10/2009 LaValley ..... D6/677.1  
D603,187 S \* 11/2009 Conway ..... D6/677.1  
D605,353 S \* 12/2009 Lee ..... D28/73  
D630,459 S 1/2011 Millspaugh  
D775,870 S 1/2017 Stauss  
D793,129 S \* 8/2017 Bertault ..... D6/677.1  
D802,965 S \* 11/2017 Curran, Jr. .... D6/662.1  
D830,746 S \* 10/2018 Johnson ..... D6/677.1  
D883,720 S \* 5/2020 Johnson ..... D6/677.1  
D920,020 S \* 5/2021 Adams ..... D6/677.1

\* cited by examiner

*Primary Examiner* — Kelley A Donnelly

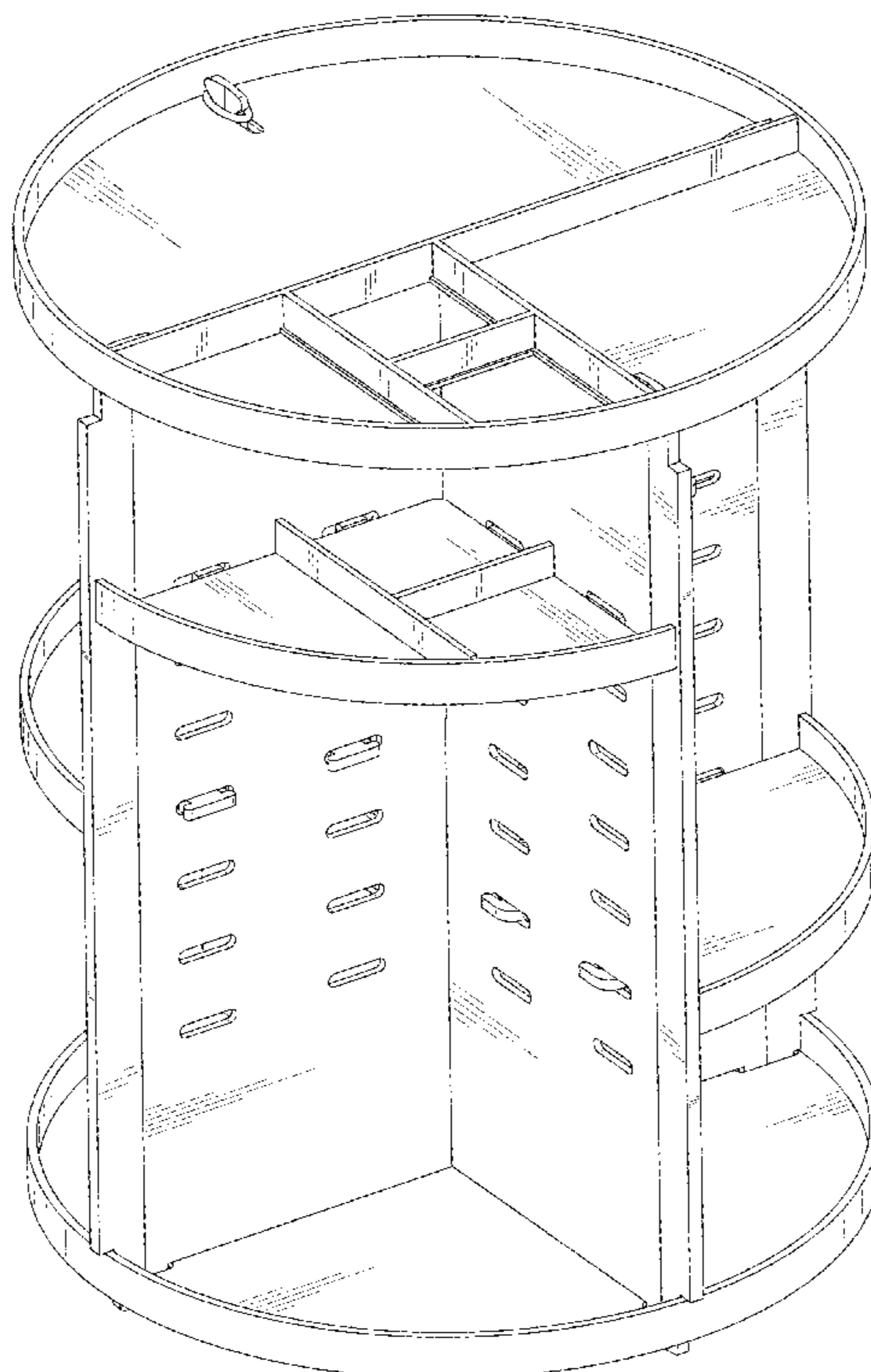
(57) **CLAIM**

The ornamental design for a shelf, as shown and described.

**DESCRIPTION**

FIG. 1 is a perspective view of a shelf showing my new design;  
FIG. 2 is another perspective view thereof;  
FIG. 3 is a front elevational view thereof;  
FIG. 4 is a rear elevational view thereof;  
FIG. 5 is a left side elevational view thereof;  
FIG. 6 is a right side elevational view thereof;  
FIG. 7 is a top plan view thereof;  
FIG. 8 is a bottom plan view thereof; and,  
FIG. 9 is an exploded perspective view of the shelf.

**1 Claim, 9 Drawing Sheets**



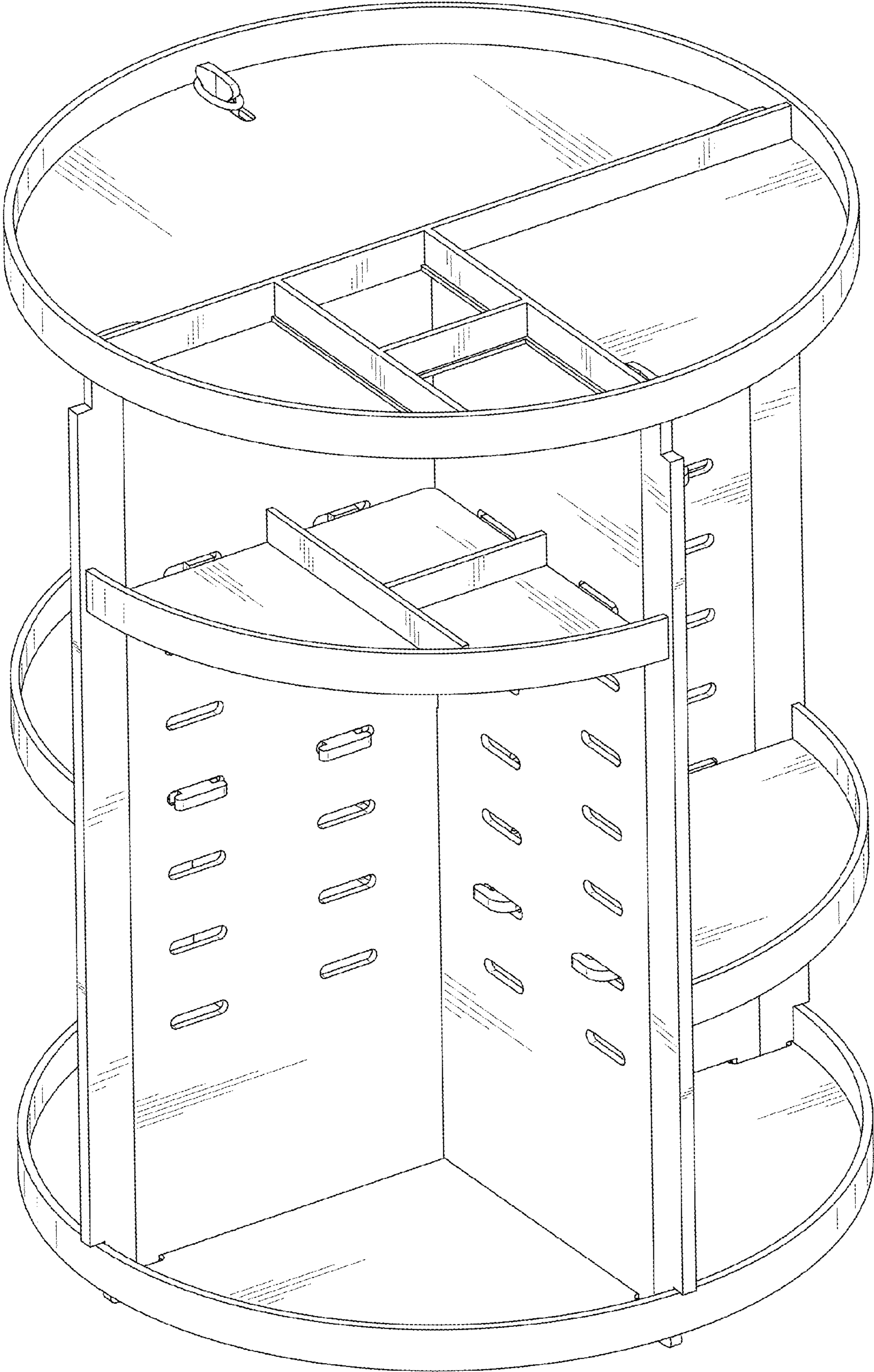


FIG. 1

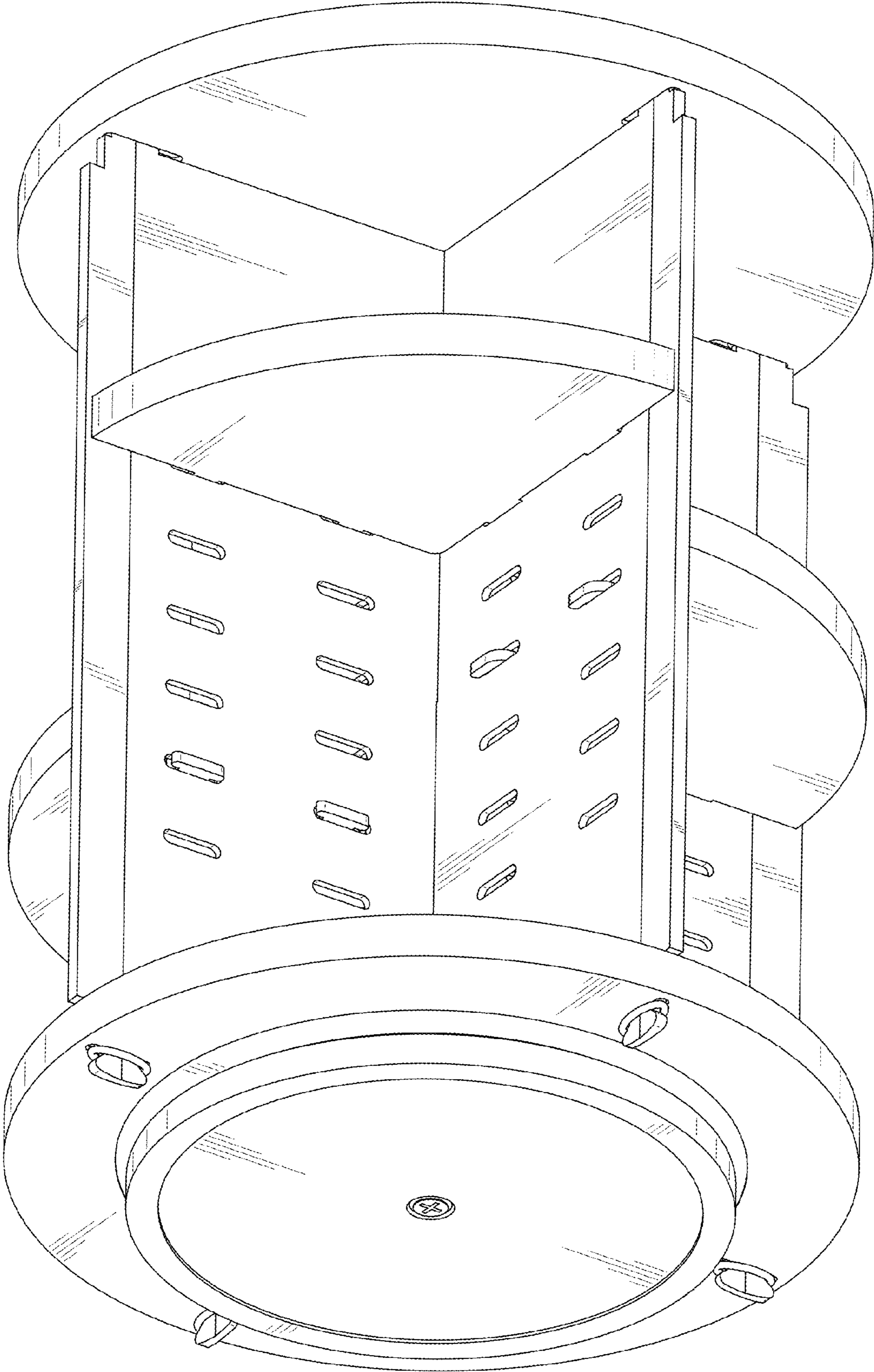


FIG. 2

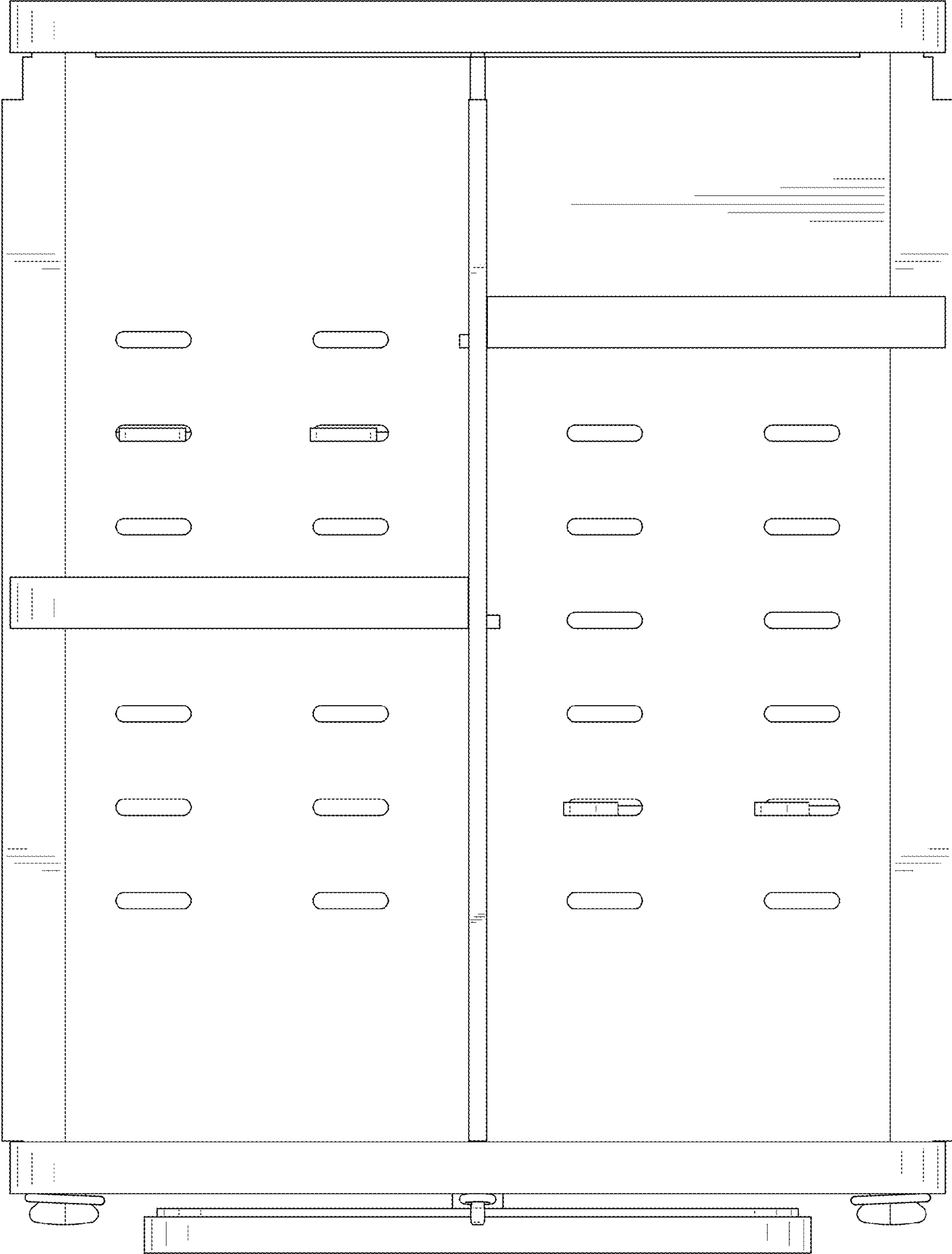


FIG. 3

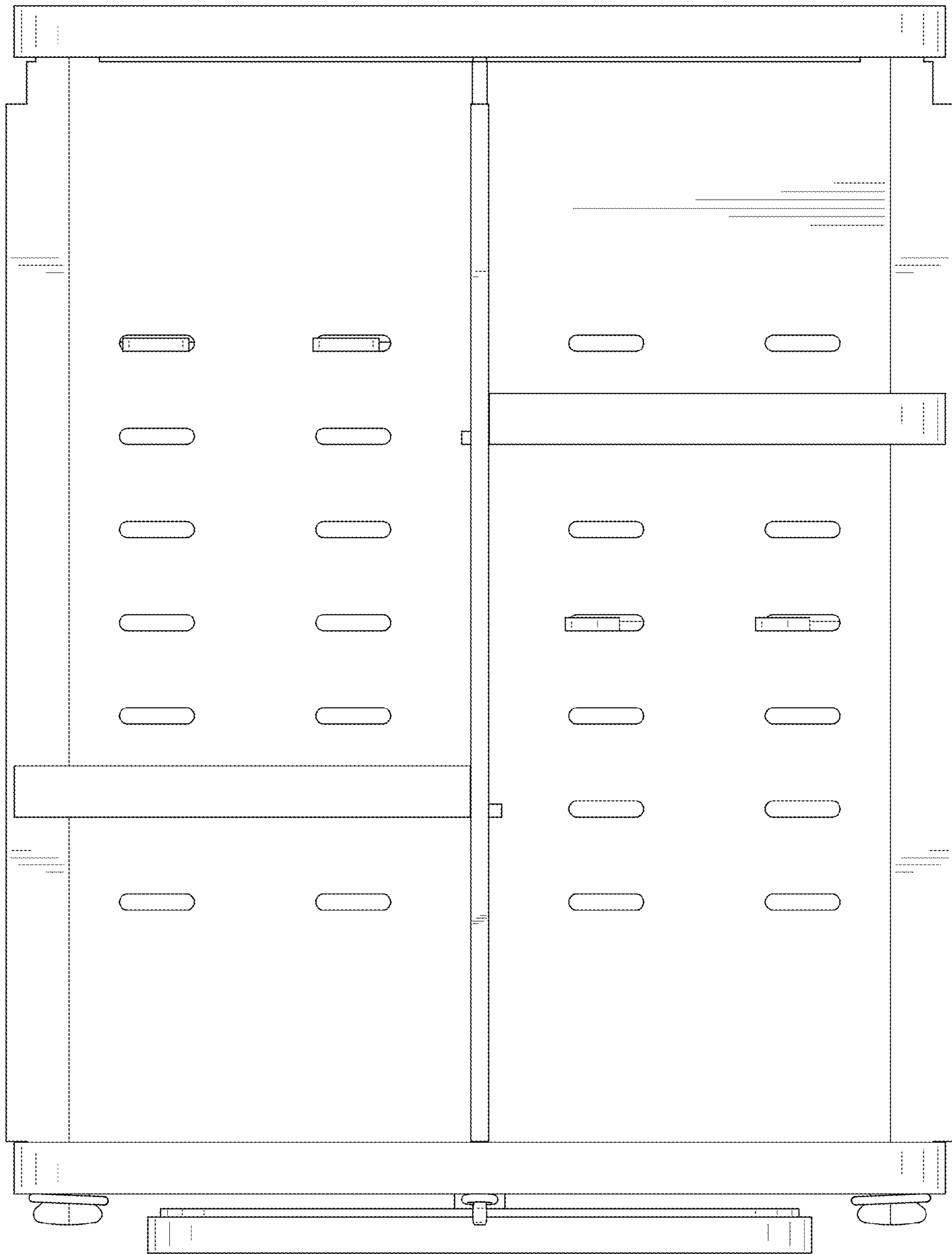


FIG. 4

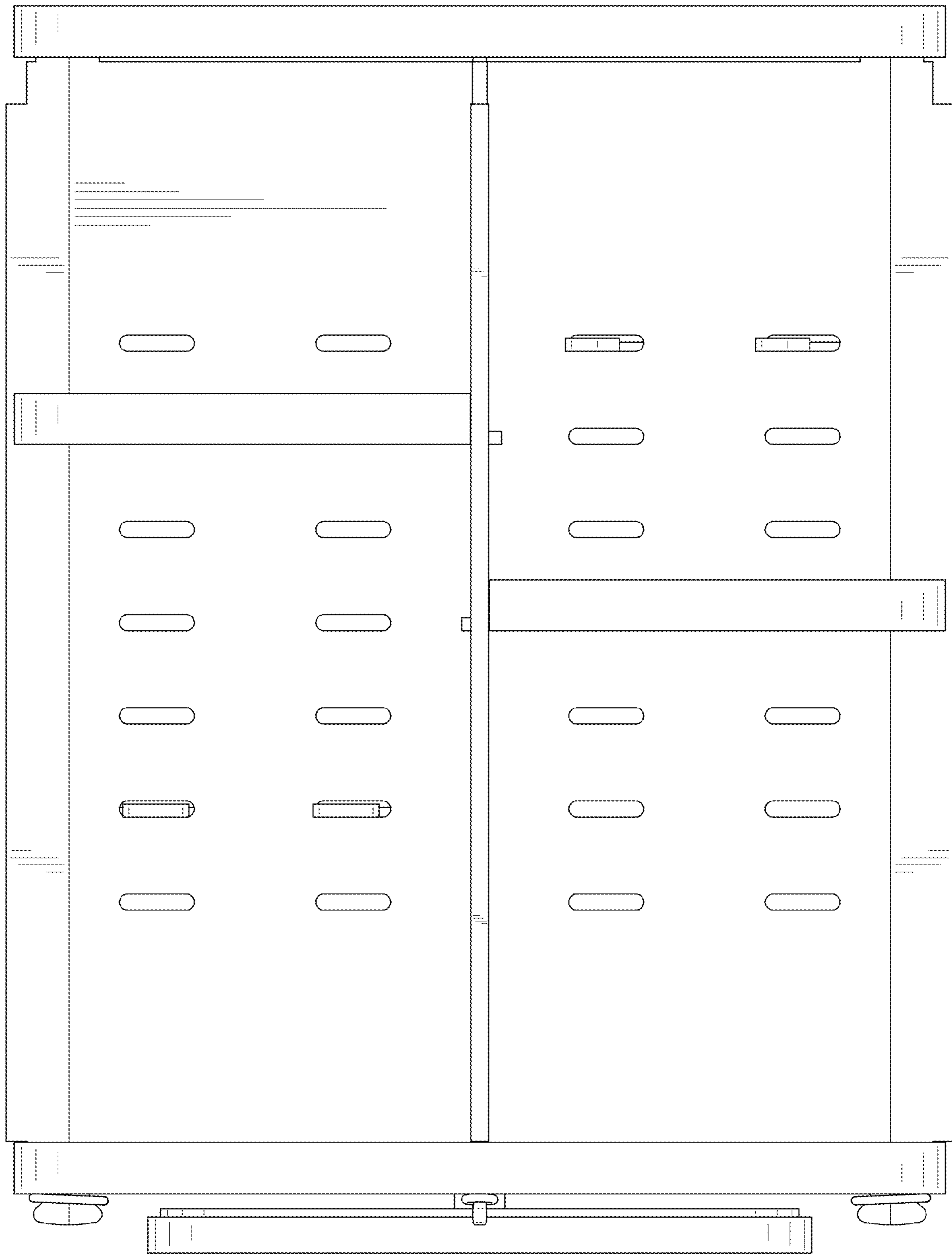


FIG. 5

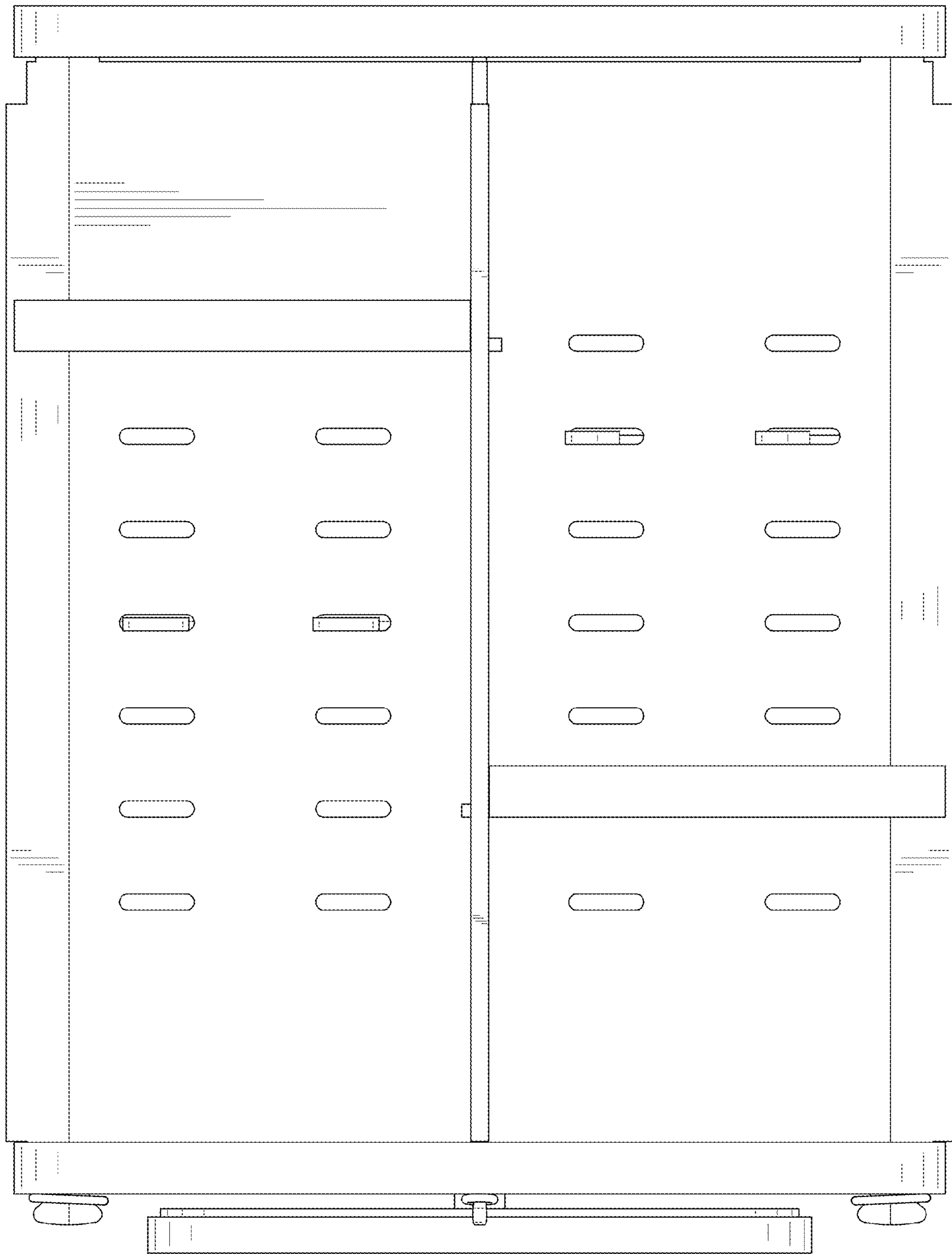


FIG. 6

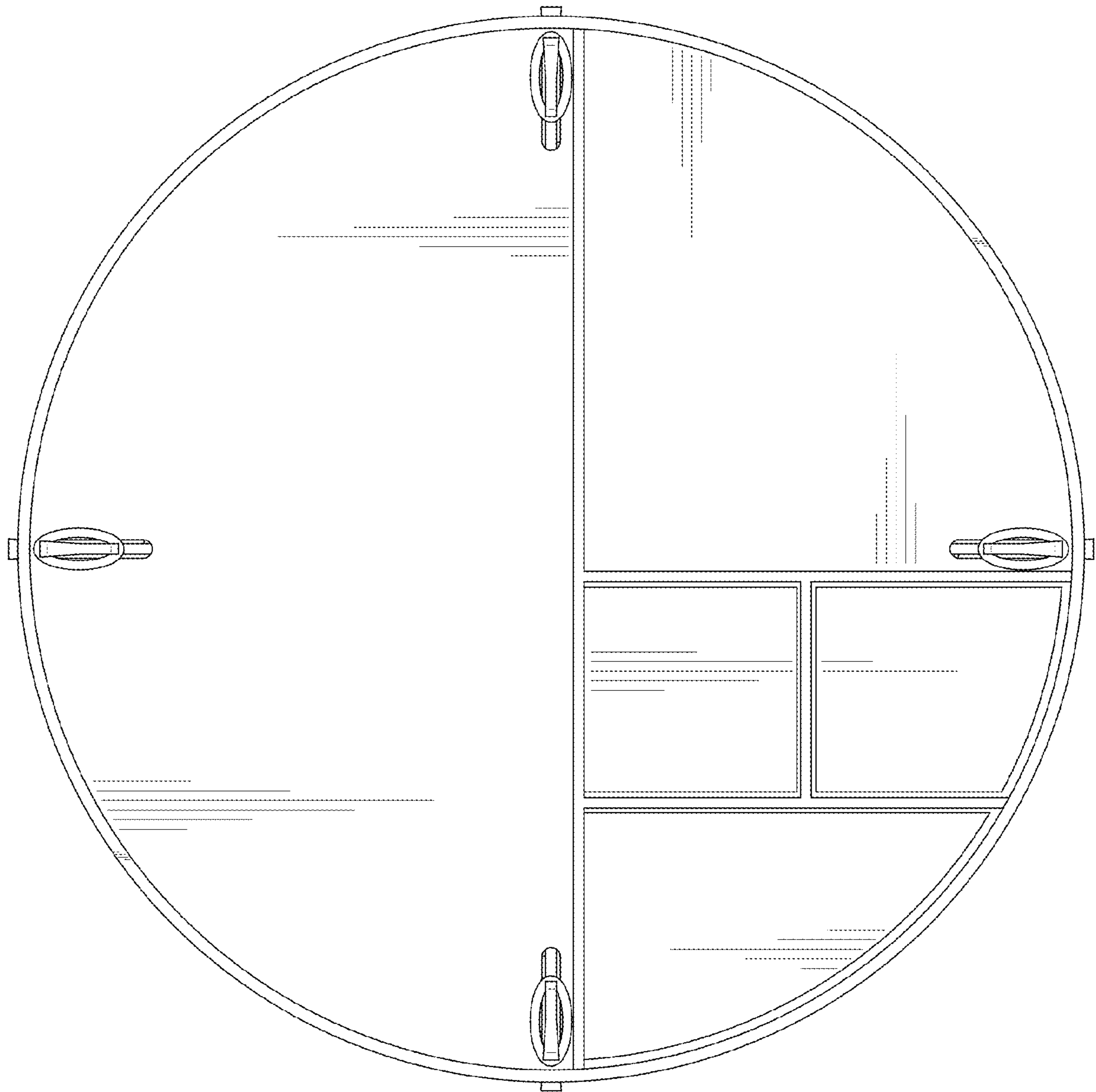


FIG. 7



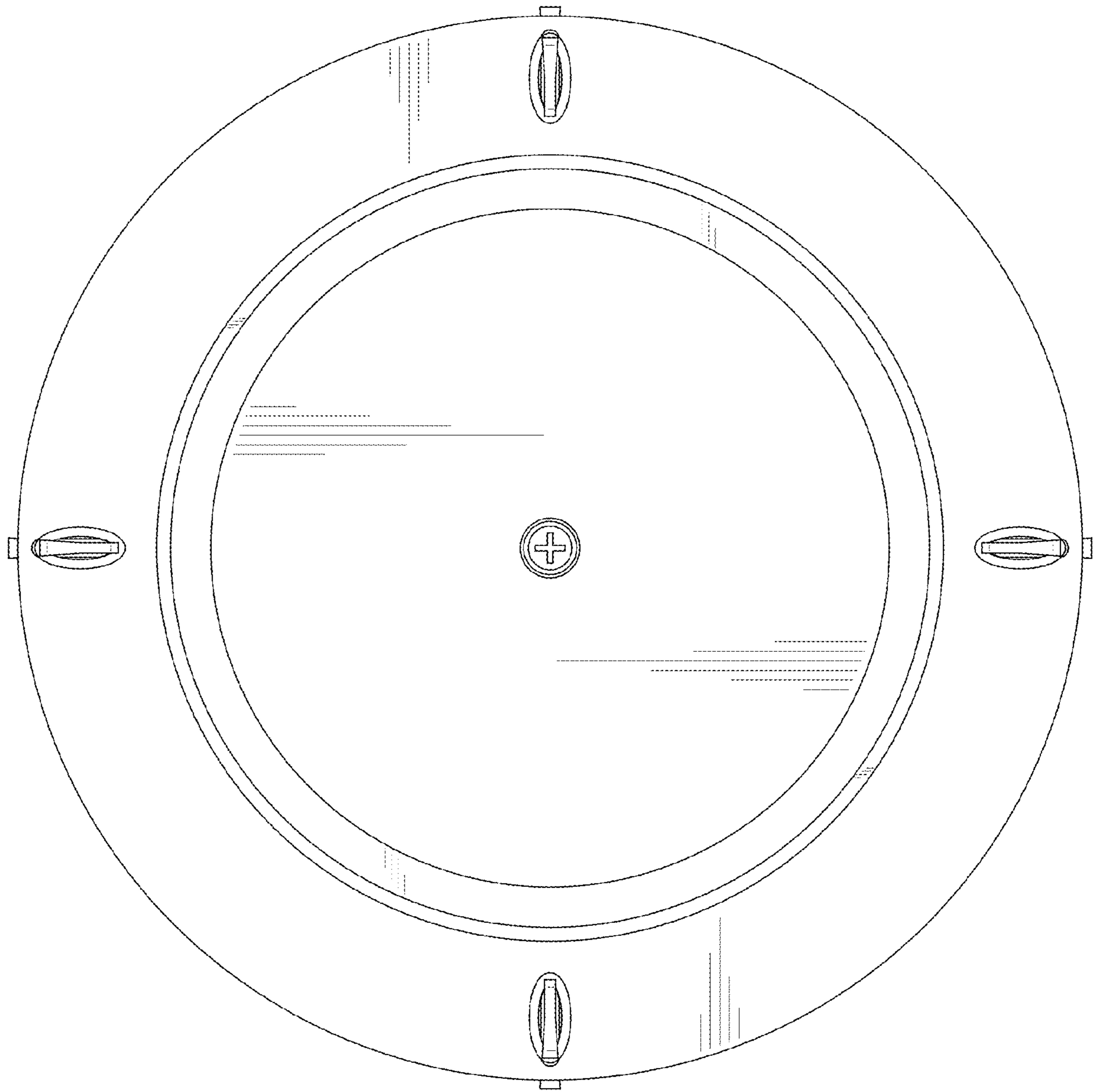


FIG. 8

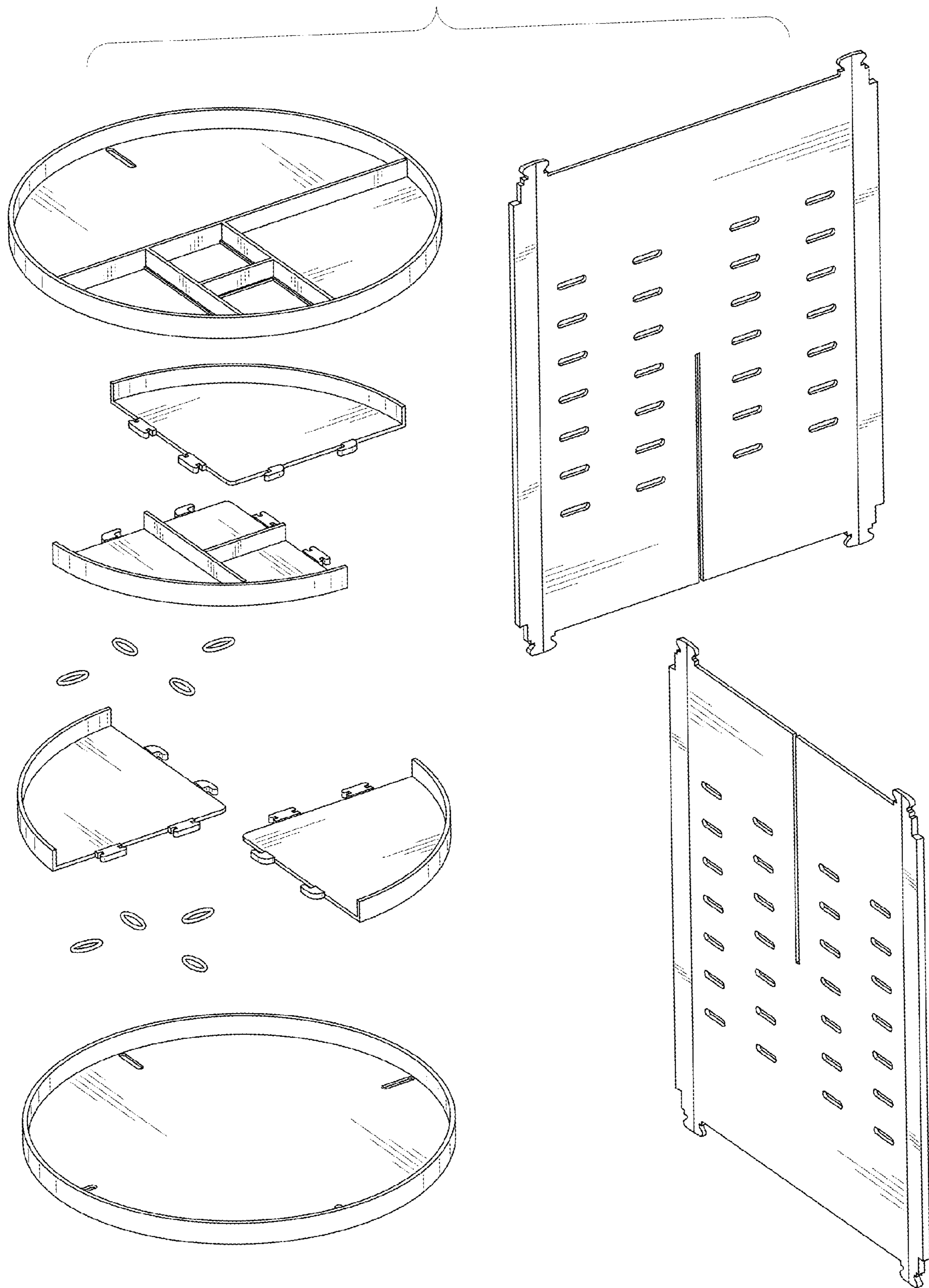


FIG. 9