



US00D935243S

(12) **United States Design Patent** (10) **Patent No.:** **US D935,243 S**  
**Johnson et al.** (45) **Date of Patent:** **\*\* Nov. 9, 2021**

- (54) **DISPLAY UNIT**
- (71) Applicant: **Target Brands, Inc.**, Minneapolis, MN (US)
- (72) Inventors: **Jason W. Johnson**, Wayzata, MN (US); **Blake M. Johnson**, St. Paul, MN (US); **Richard J. Main**, North Branch, MN (US); **Linda S. Brown**, Luck, WI (US)
- (73) Assignee: **Target Brands, Inc.**, Minneapolis, MN (US)

D573,811 S \* 7/2008 Weigand ..... D6/682  
 D638,639 S \* 5/2011 Ma ..... D6/678.1  
 8,079,313 B2 \* 12/2011 Sparkowski ..... A47F 5/0018  
 108/110  
 D657,591 S \* 4/2012 Sanchez ..... D6/675.1  
 D730,665 S \* 6/2015 Murakami ..... D6/675.3

(Continued)

**OTHER PUBLICATIONS**

U.S. Appl. No. 16/196,146, filed Nov. 20, 2019 entitled "Tiered Display Unit", 29 pages.

(Continued)

(\*\*) Term: **15 Years**

*Primary Examiner* — Kelley A Donnelly

(21) Appl. No.: **29/726,565**

(74) *Attorney, Agent, or Firm* — Leanne Taveggia Farrell; Westman, Champlin & Koehler, P.A.

(22) Filed: **Mar. 4, 2020**

(51) **LOC (13) Cl.** ..... **06-06**

(57) **CLAIM**

(52) **U.S. Cl.**  
USPC ..... **D6/675.1**

The ornamental design for a display unit, as shown and described.

(58) **Field of Classification Search**  
USPC ..... D6/315, 317, 319, 329, 673, 675, 675.1, D6/675.2, 675.3, 675.4, 678.4, 680.2, D6/680.3, 702

**DESCRIPTION**

CPC ..... A47B 47/00; A47B 47/02; A47B 55/02; A47B 73/00; A47B 73/002; A47F 5/00; A47F 5/0018; A47F 5/0025; A47F 5/0056; A47F 5/01  
See application file for complete search history.

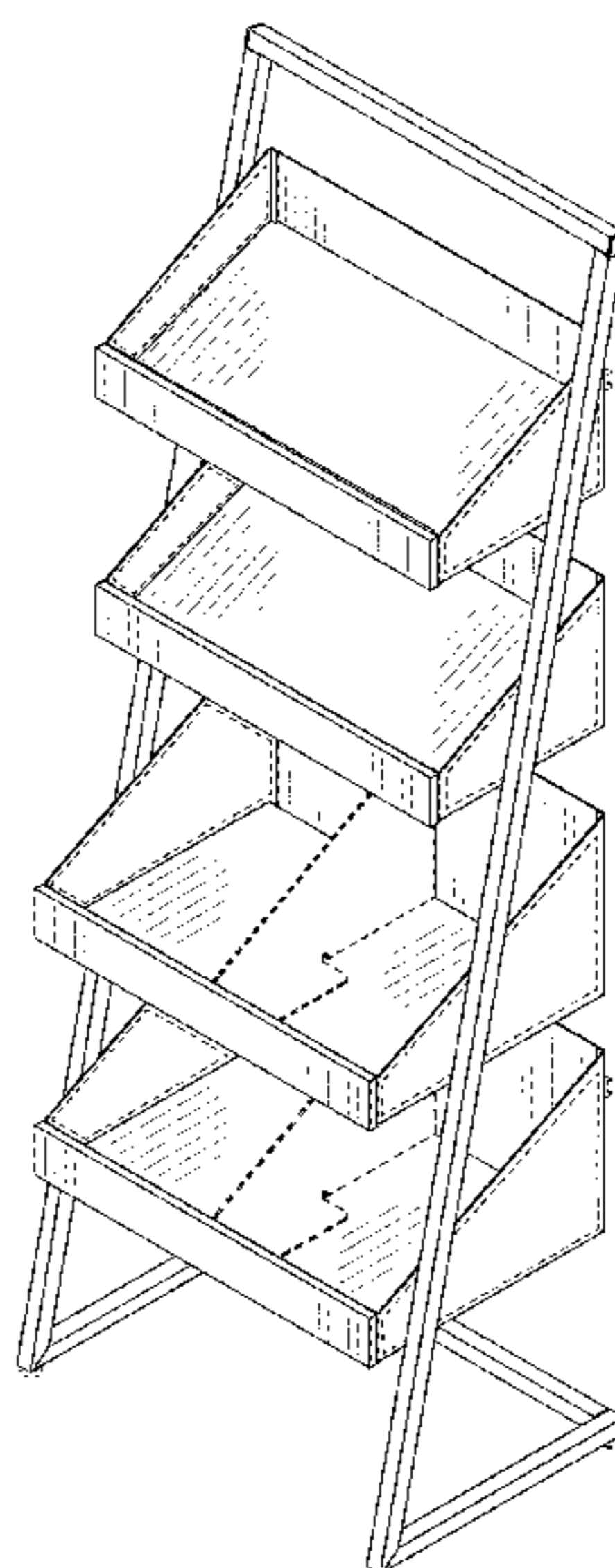
FIG. 1 is a perspective view of a first embodiment of the display unit showing our new design;  
 FIG. 2 is a front view thereof;  
 FIG. 3 is a right side view thereof, the left side view being a mirror image;  
 FIG. 4 is a top view thereof;  
 FIG. 5 is a perspective view of a second embodiment thereof;  
 FIG. 6 is a front view of FIG. 5, the back view being identical;  
 FIG. 7 is a right side view of FIG. 5, the left side view being identical; and,  
 FIG. 8 is a top view of FIG. 5.  
 The broken lines shown in the drawings are included for purposes of illustrating portions of the display unit and form no part of the claimed design.

(56) **References Cited**

**U.S. PATENT DOCUMENTS**

- D242,754 S \* 12/1976 Howard ..... D6/675.1
- D284,049 S \* 6/1986 Nathan ..... D19/92
- D363,840 S \* 11/1995 Weshler ..... D6/683.1
- D364,763 S \* 12/1995 Sielaff ..... D6/675.1
- D394,360 S \* 5/1998 Geier ..... D34/21
- D492,861 S \* 7/2004 Lenger ..... D6/675.3
- D534,015 S \* 12/2006 Bretz ..... D6/675.4
- D534,375 S \* 1/2007 Sparkowski ..... D6/678.3
- D560,402 S \* 1/2008 Lev ..... D6/675.1

**1 Claim, 8 Drawing Sheets**



(56)

**References Cited**

U.S. PATENT DOCUMENTS

D738,143	S *	9/2015	Guzzone	.....	D6/675.4
D744,773	S *	12/2015	Yoon	.....	D6/678
D784,052	S *	4/2017	Rodriguez	.....	D6/675.2
D798,635	S *	10/2017	Aguilera	.....	D6/675.2
D811,782	S *	3/2018	Rodriguez	.....	D6/675.2
D837,576	S *	1/2019	Murthy	.....	D6/675.4
D851,966	S *	6/2019	Olaya	.....	D6/675.1
D878,834	S *	3/2020	Johnson	.....	A47F 5/0043
					D6/683.1
2014/0230295	A1 *	8/2014	Hawkins	.....	A47F 5/116
					40/606.03
2016/0066711	A1 *	3/2016	Mestres Armengol	.....	A47F 5/112
					211/135
2018/0293919	A1 *	10/2018	Ertl	.....	A47F 5/0025
2019/0021521	A1 *	1/2019	Kula	.....	A47B 57/404
2020/0154908	A1 *	5/2020	Johnson	.....	A47F 3/004
2020/0275775	A1 *	9/2020	Marriott	.....	A47F 10/02
2021/0015273	A1 *	1/2021	Nelson	.....	A47F 5/116
2021/0169601	A1 *	6/2021	Gerstner	.....	F16M 11/2014

OTHER PUBLICATIONS

U.S. Appl. No. 29/704,909, filed Sep. 9, 2019 entitled Display Unit, 13 pages.  
 U.S. Appl. No. 29/704,911, filed Sep. 9, 2019 entitled "Sign", 2 pages.  
 U.S. Appl. No. 29/722,870, filed Feb. 3, 2020 entitled "Display Unit", 13 pages.

\* cited by examiner

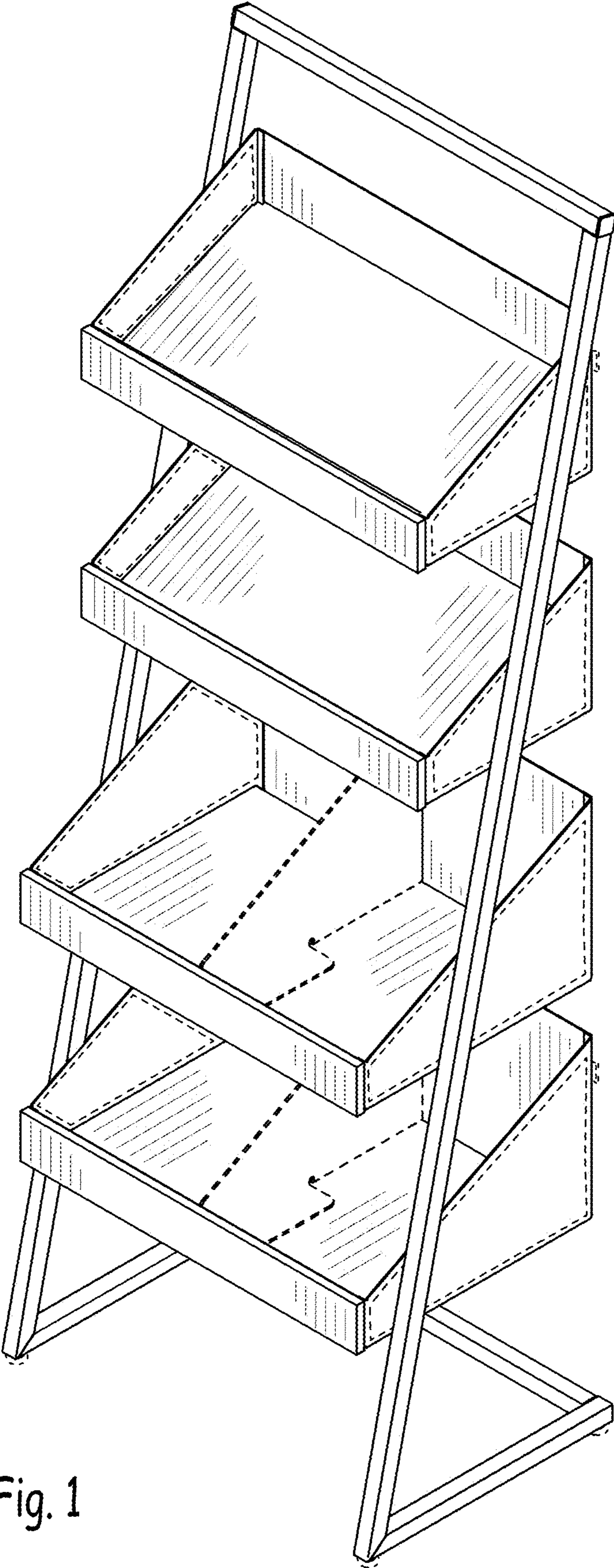


Fig. 1

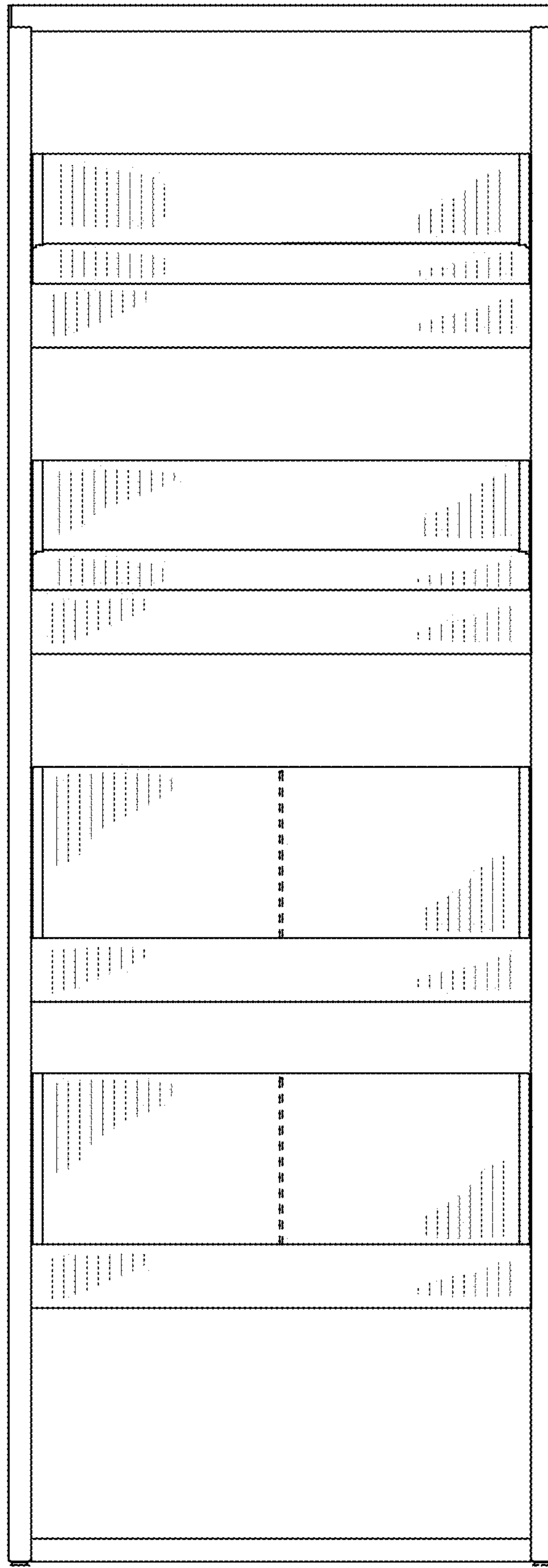


Fig. 2



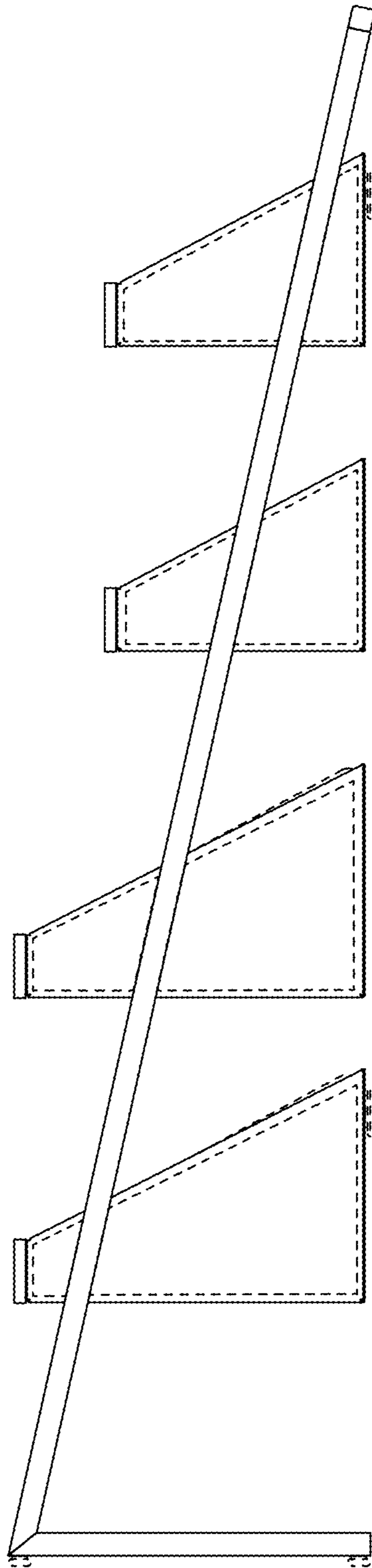


Fig. 3

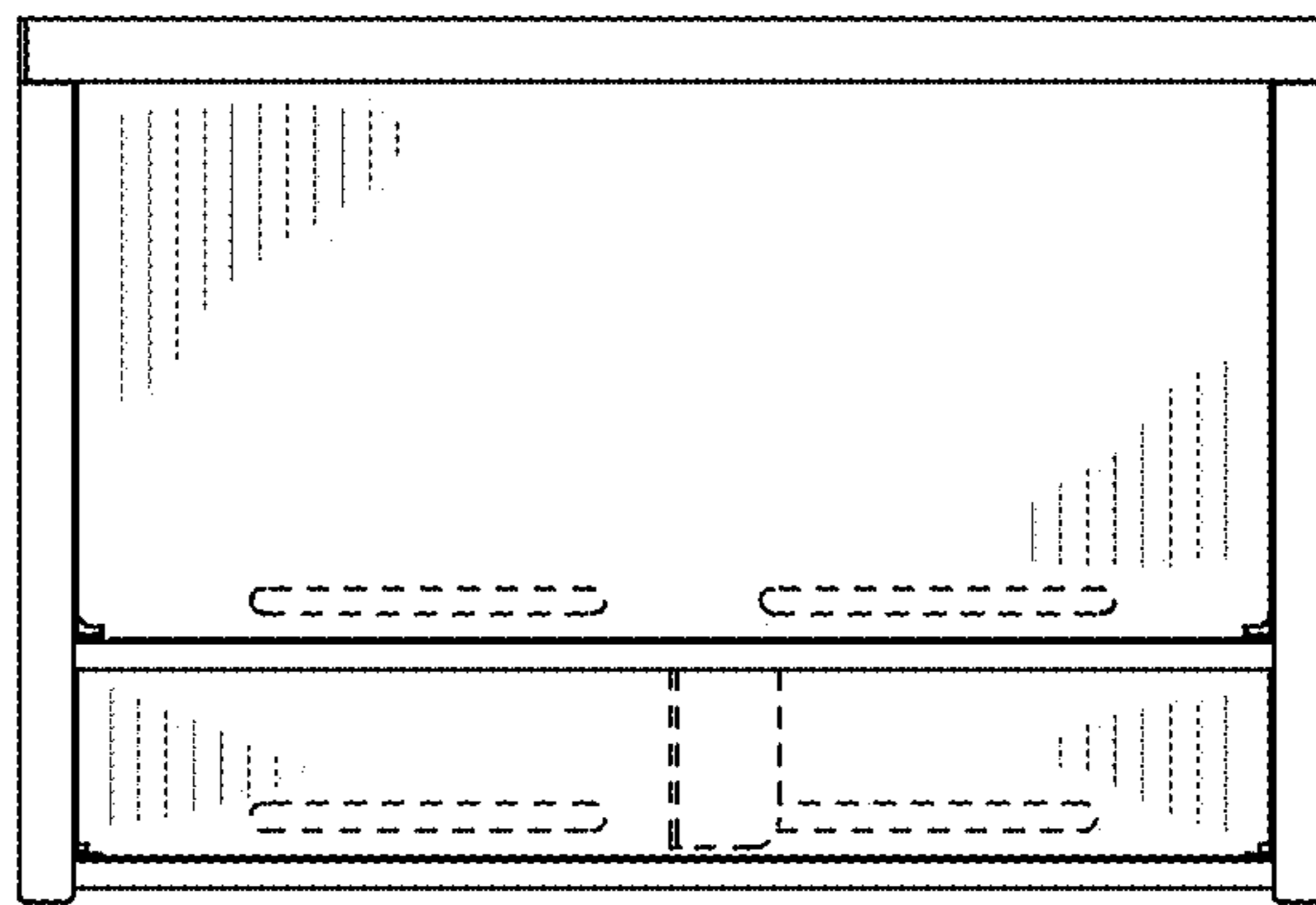


Fig. 4

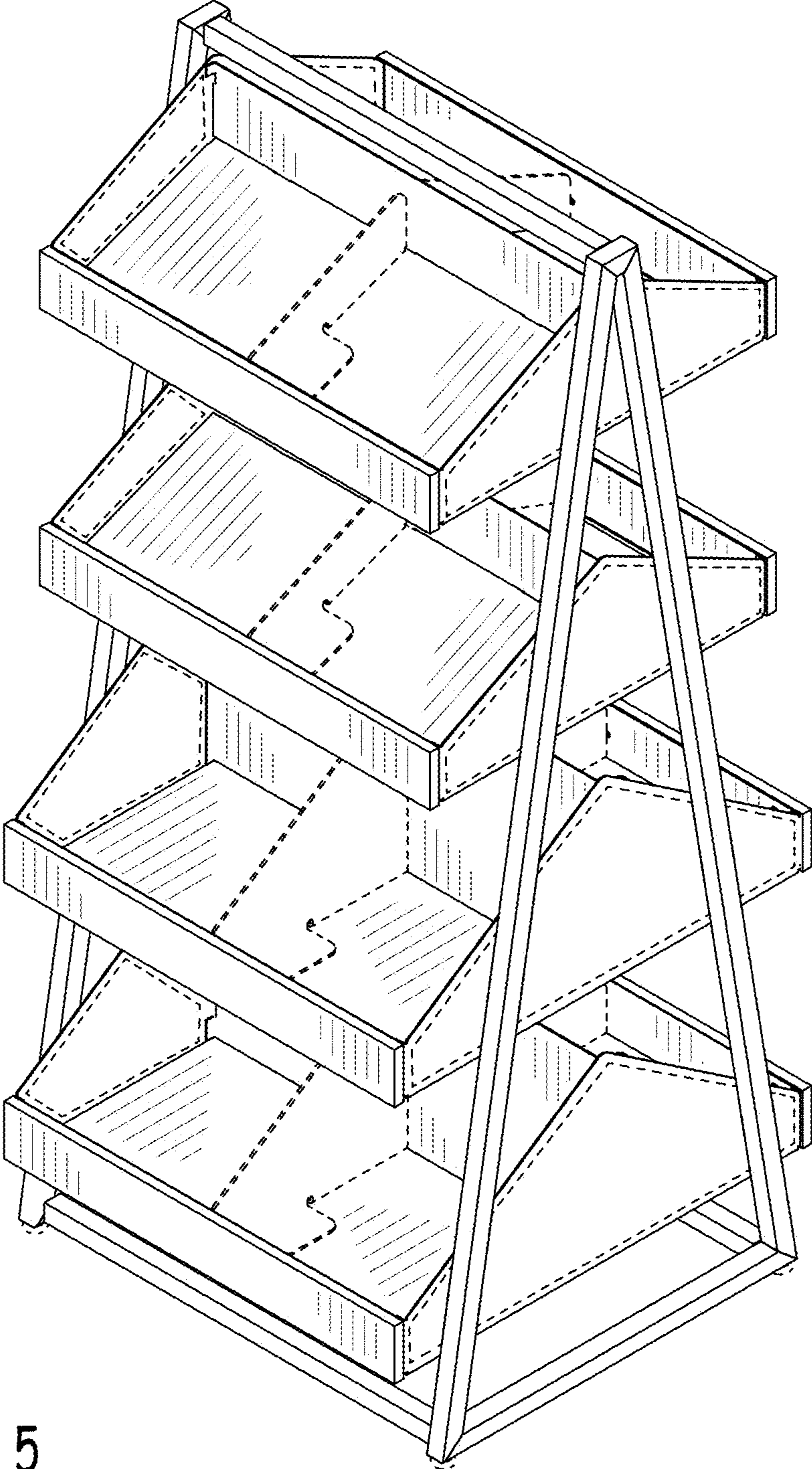


Fig. 5

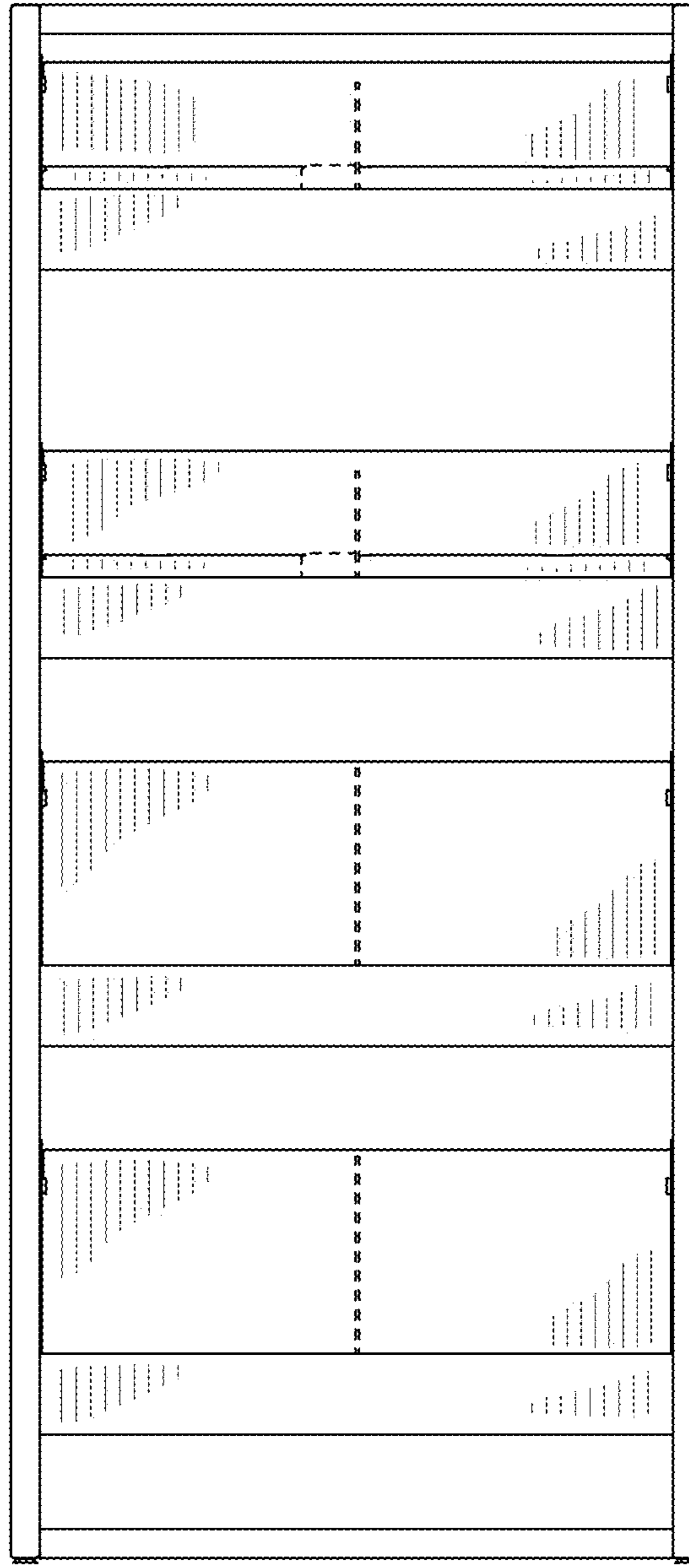


Fig. 6



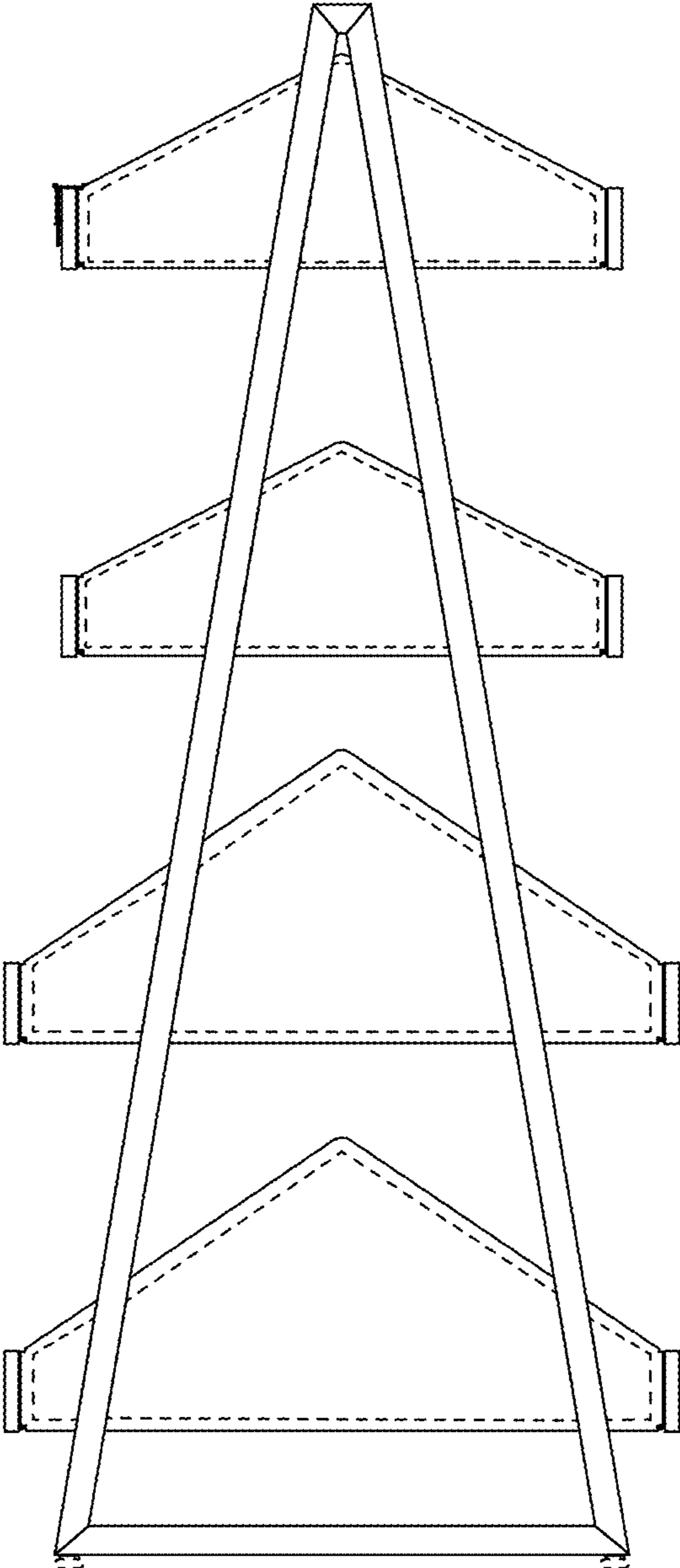


Fig. 7

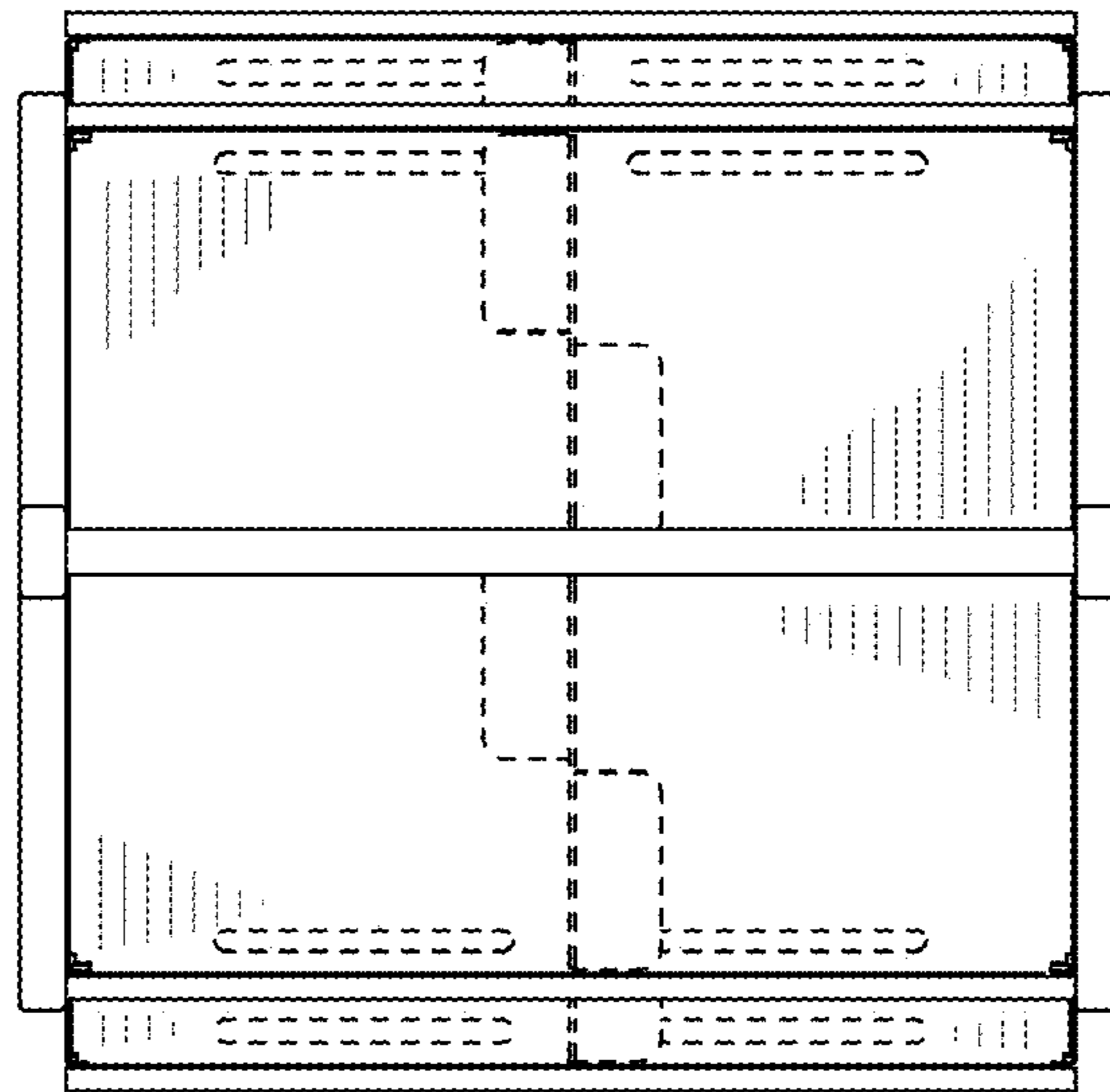


Fig. 8