



US00D935240S

(12) **United States Design Patent** (10) **Patent No.:** **US D935,240 S**  
**Guo** (45) **Date of Patent:** **\*\* Nov. 9, 2021**

(54) **CABINET**  
(71) Applicant: **Anhui Maoxin Household Crafts Co., Ltd, Suzhou (CN)**  
(72) Inventor: **Qihu Guo, Anhui (CN)**  
(\*\*) Term: **15 Years**  
(21) Appl. No.: **29/731,686**  
(22) Filed: **Apr. 17, 2020**  
(51) **LOC (13) Cl.** ..... **06-04**  
(52) **U.S. Cl.**  
USPC ..... **D6/669**  
(58) **Field of Classification Search**  
USPC ..... D6/657, 664.1, 666, 668.2, 669, 671, D6/671.1, 675, 675.1, 675.3, 702; D15/79, 81, 85, 88; D20/1, 4, 5; D23/286  
CPC ..... A47F 9/00; A47B 43/00; A47B 87/002; E04H 1/00; E04H 1/1205; E04H 1/005; E04H 1/12; E04H 1/1283; D06F 57/10; E04B 1/34321; E04B 1/34331; E04B 1/3483; E04B 1/34807; E04B 1/343; E04B 1/348; E06B 1/04  
See application file for complete search history.

D505,805 S \* 6/2005 Risdon ..... D6/665  
D507,430 S \* 7/2005 Risdon ..... D6/668.2  
D508,795 S \* 8/2005 Mirchand ..... D6/668.2  
D532,992 S \* 12/2006 Kingsley ..... D6/668.2  
D546,093 S \* 7/2007 Boerner ..... D6/671.1  
D559,009 S \* 1/2008 Shaw ..... D6/668.2  
D599,134 S \* 9/2009 Jeup ..... D6/668.2  
D609,496 S \* 2/2010 Kanthasamy ..... D6/671.1  
D723,307 S \* 3/2015 Harrison ..... D6/668.1  
D790,890 S \* 7/2017 Everson ..... D6/671.1  
D850,823 S \* 6/2019 Park ..... D6/668.2  
D885,797 S \* 6/2020 Sumlin ..... D6/664.1  
D885,798 S \* 6/2020 Sumlin ..... D6/671.1  
D885,799 S \* 6/2020 Sumlin ..... D6/671.2  
D891,155 S \* 7/2020 Sumlin ..... D6/671.1  
D900,508 S \* 11/2020 Guo ..... D6/655.1  
D911,078 S \* 2/2021 Harris ..... D6/668.2

\* cited by examiner

*Primary Examiner* — Kevin K Rudzinski  
*Assistant Examiner* — Paul D Bohannon

(57) **CLAIM**

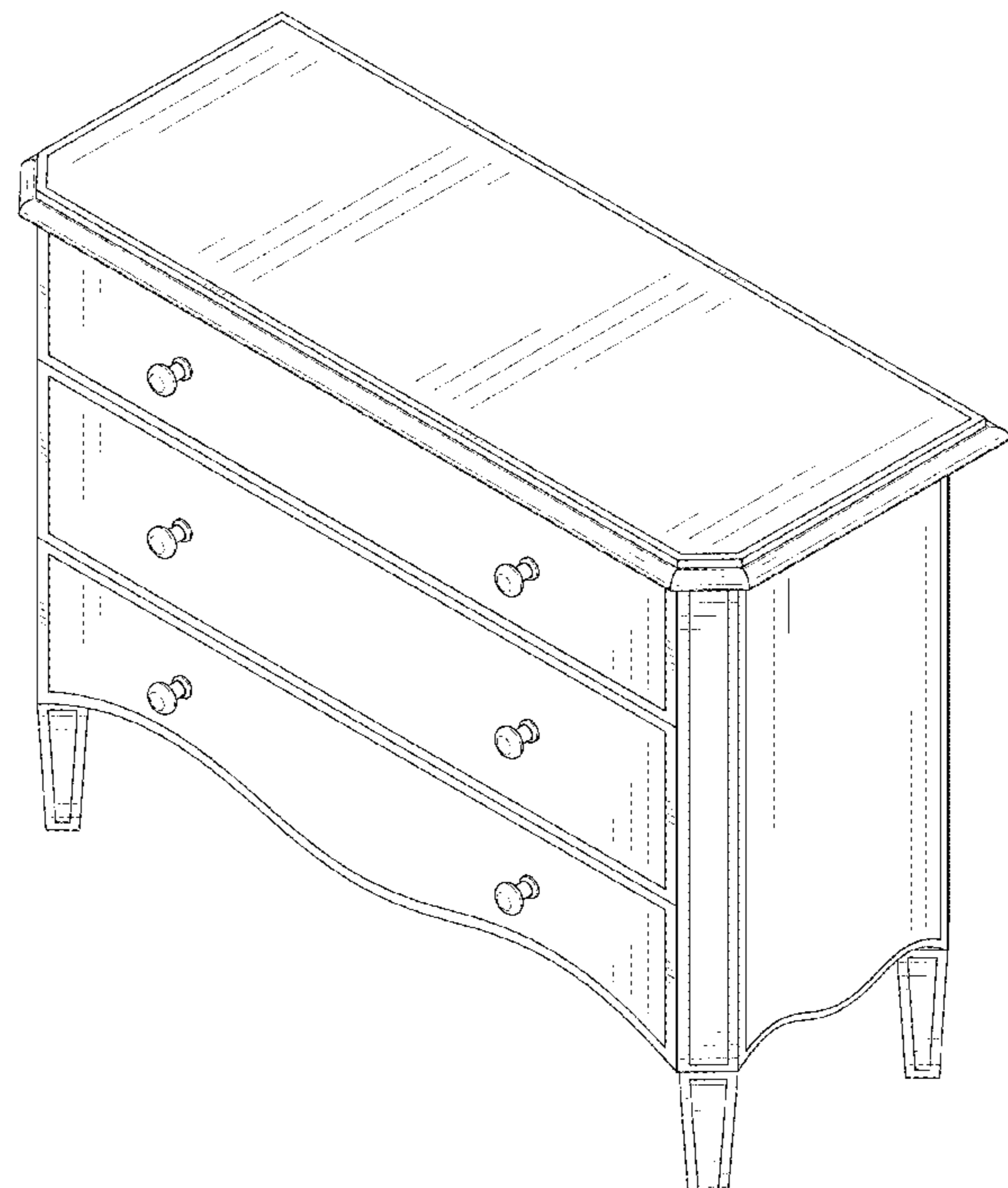
The ornamental design for a cabinet, as shown and described.

**DESCRIPTION**

FIG. 1 is a front and top perspective view of a cabinet, showing my new design;  
FIG. 2 is a rear and bottom perspective view thereof;  
FIG. 3 is a front elevational view thereof;  
FIG. 4 is a rear elevational view thereof;  
FIG. 5 is a left side elevational view thereof;  
FIG. 6 is a right side elevational view thereof;  
FIG. 7 is a top plan view thereof; and,  
FIG. 8 is a bottom plan view thereof.

**1 Claim, 8 Drawing Sheets**

(56) **References Cited**  
U.S. PATENT DOCUMENTS  
D372,377 S \* 8/1996 Rosebrock ..... D6/668.2  
D393,551 S \* 4/1998 Draheim ..... D6/668.2  
D482,901 S \* 12/2003 Stanton ..... D6/668.2  
D482,902 S \* 12/2003 Restemayer ..... D6/669  
D482,903 S \* 12/2003 Restemayer ..... D6/669  
D488,638 S \* 4/2004 Stanton ..... D6/668.2



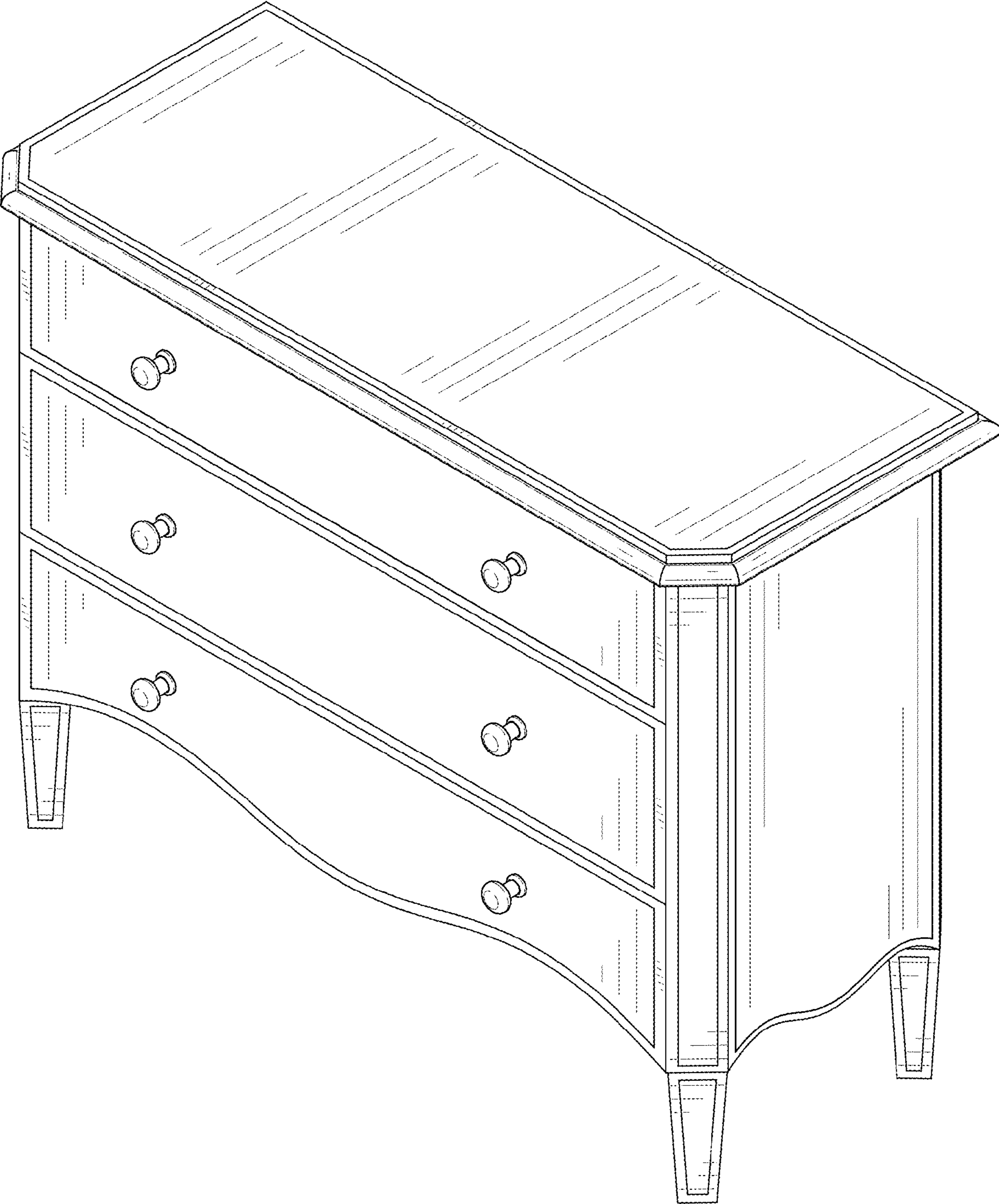


FIG. 1

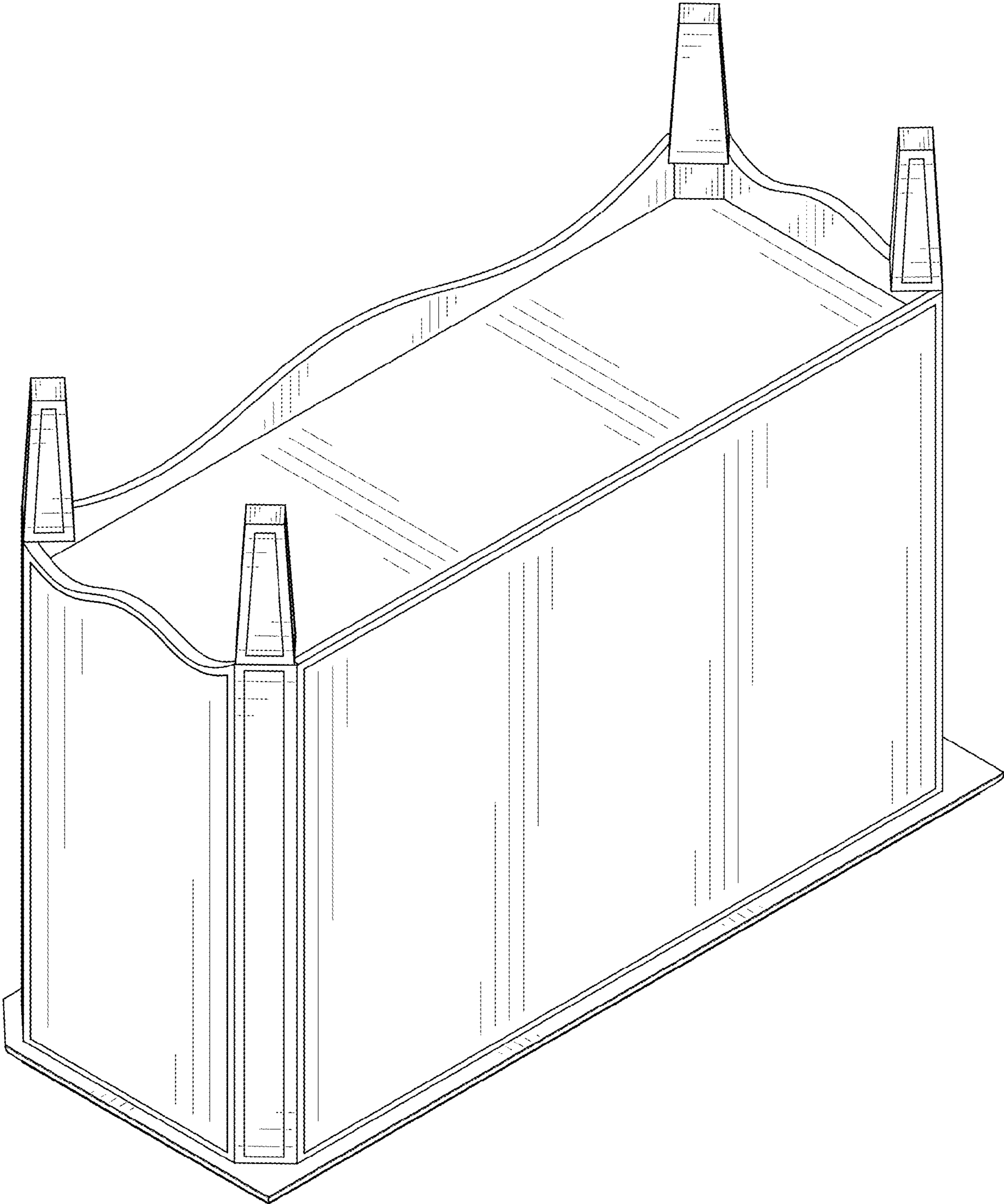


FIG. 2

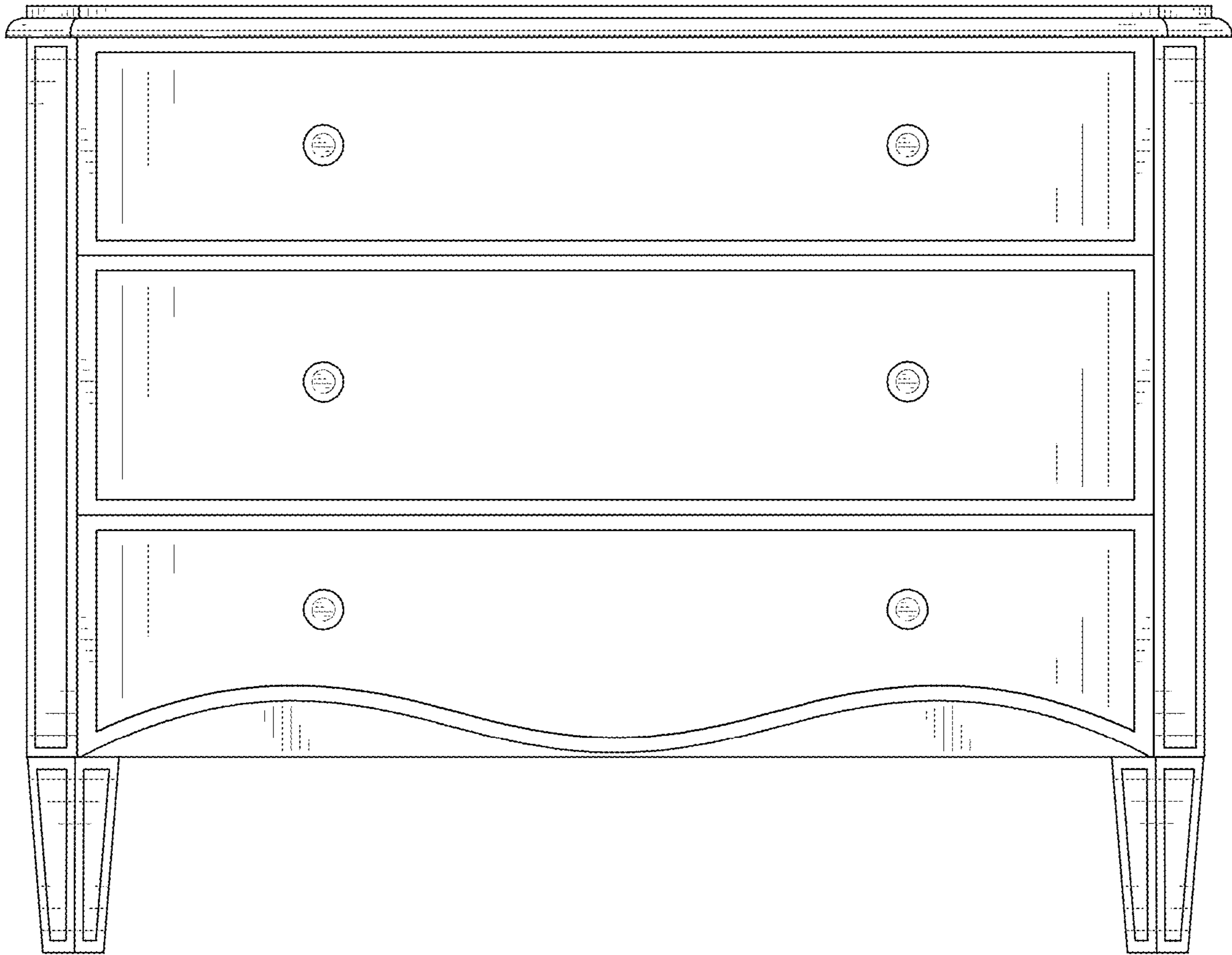


FIG. 3

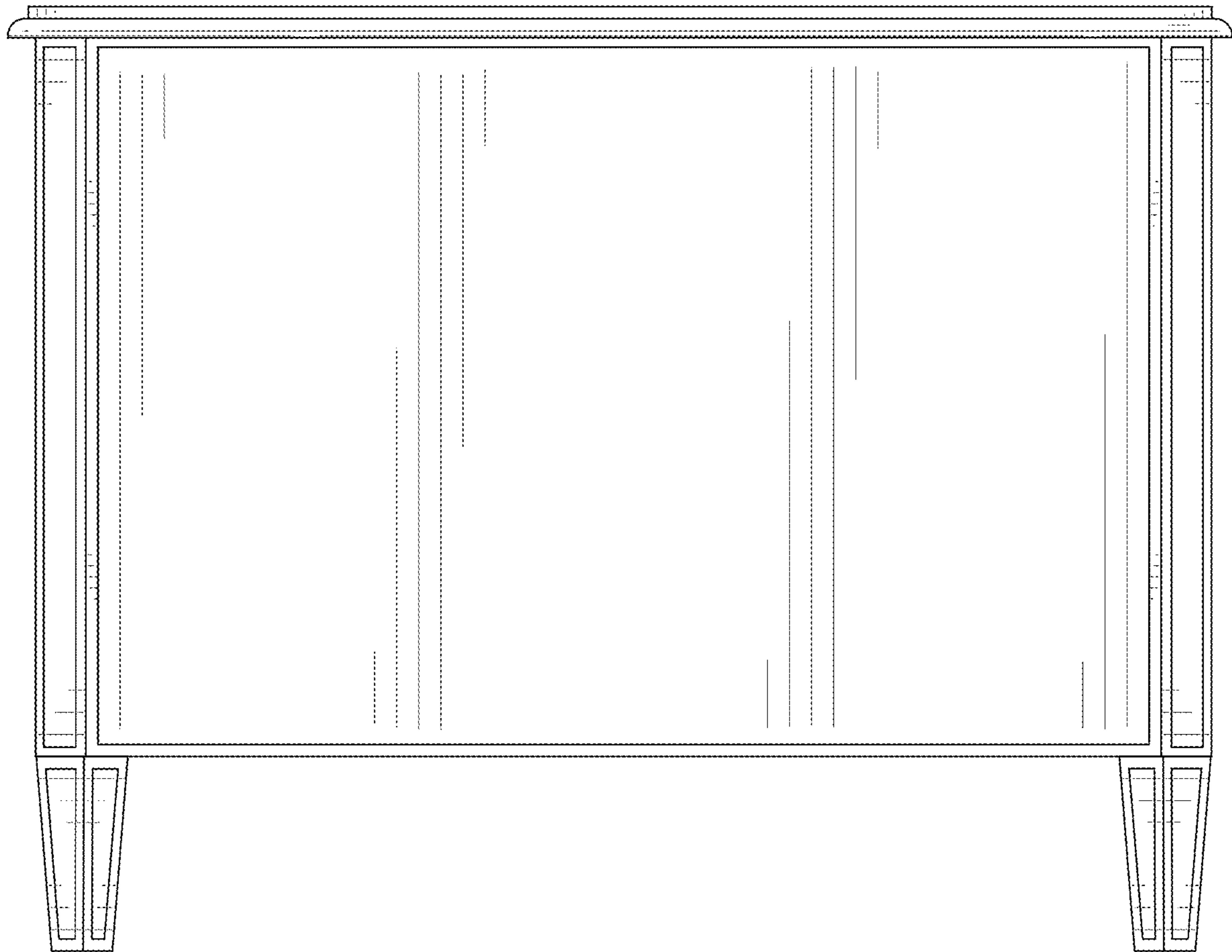


FIG. 4

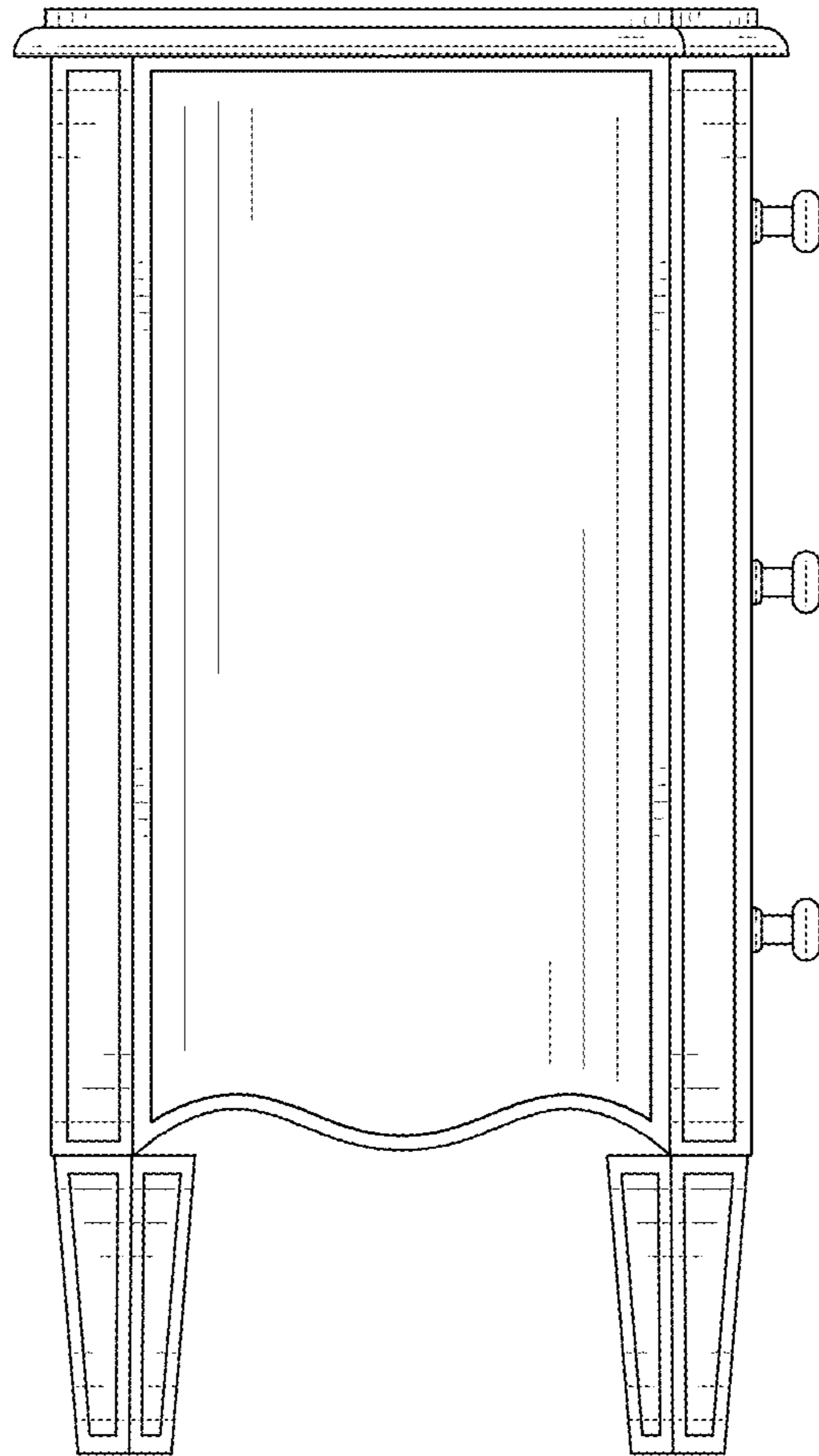


FIG. 5

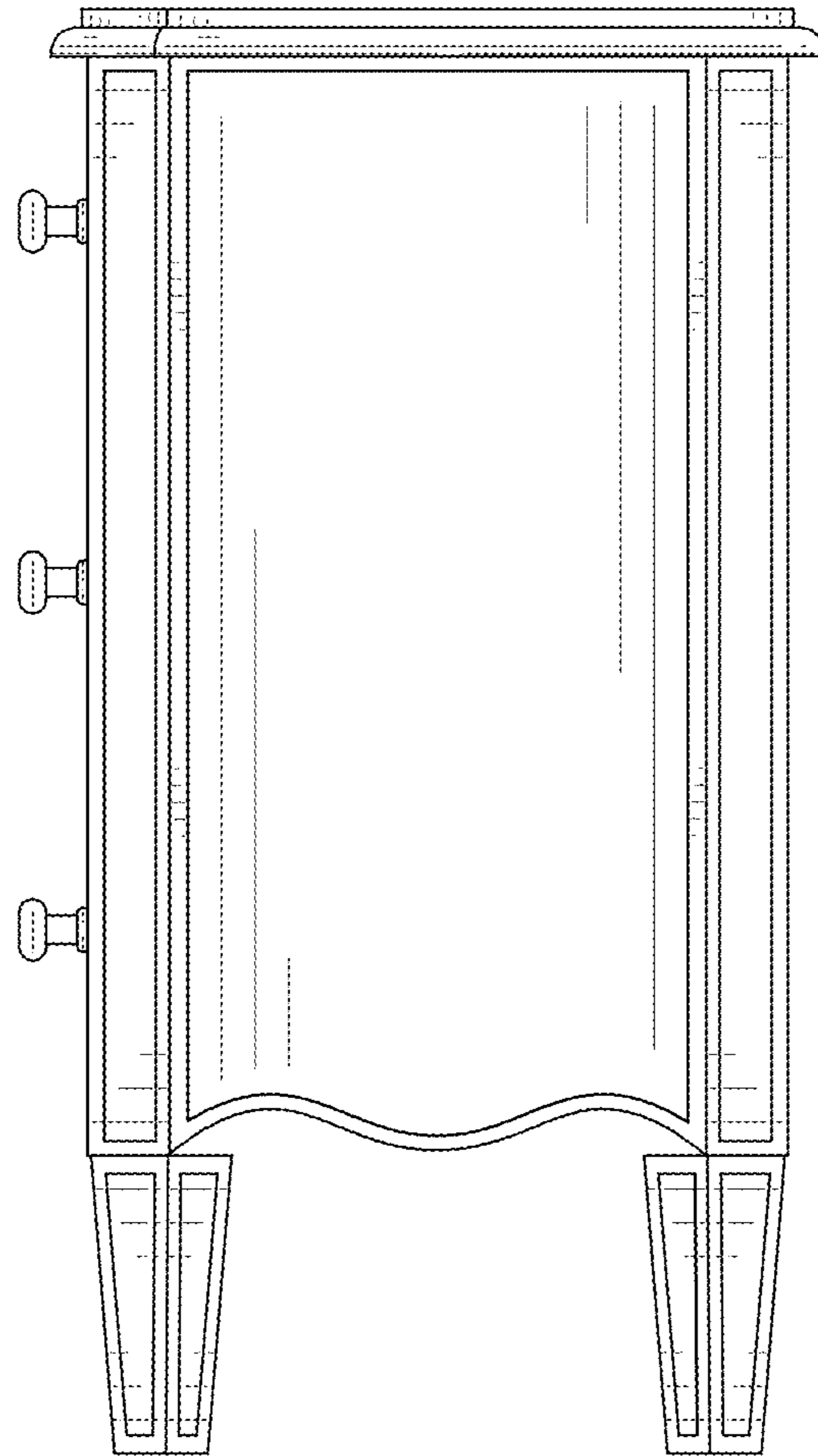


FIG. 6

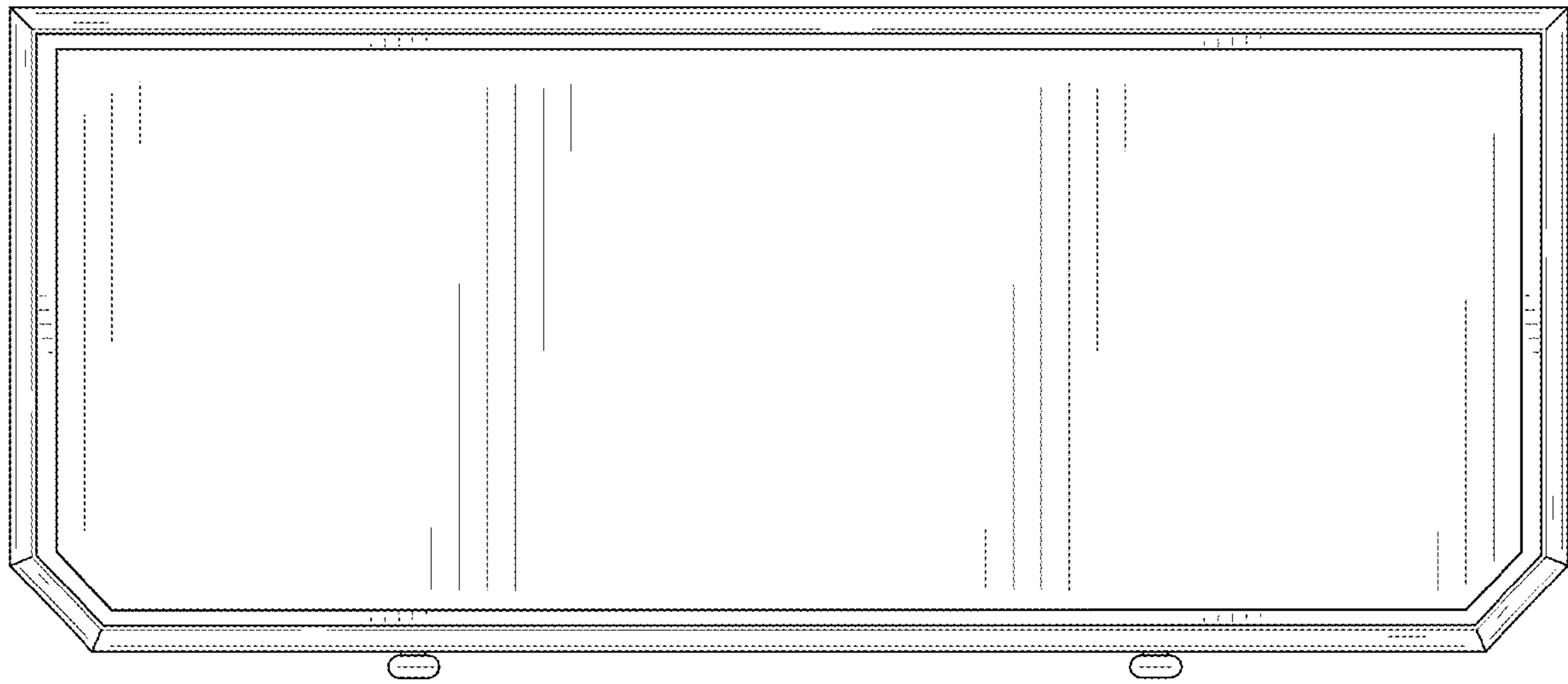


FIG. 7



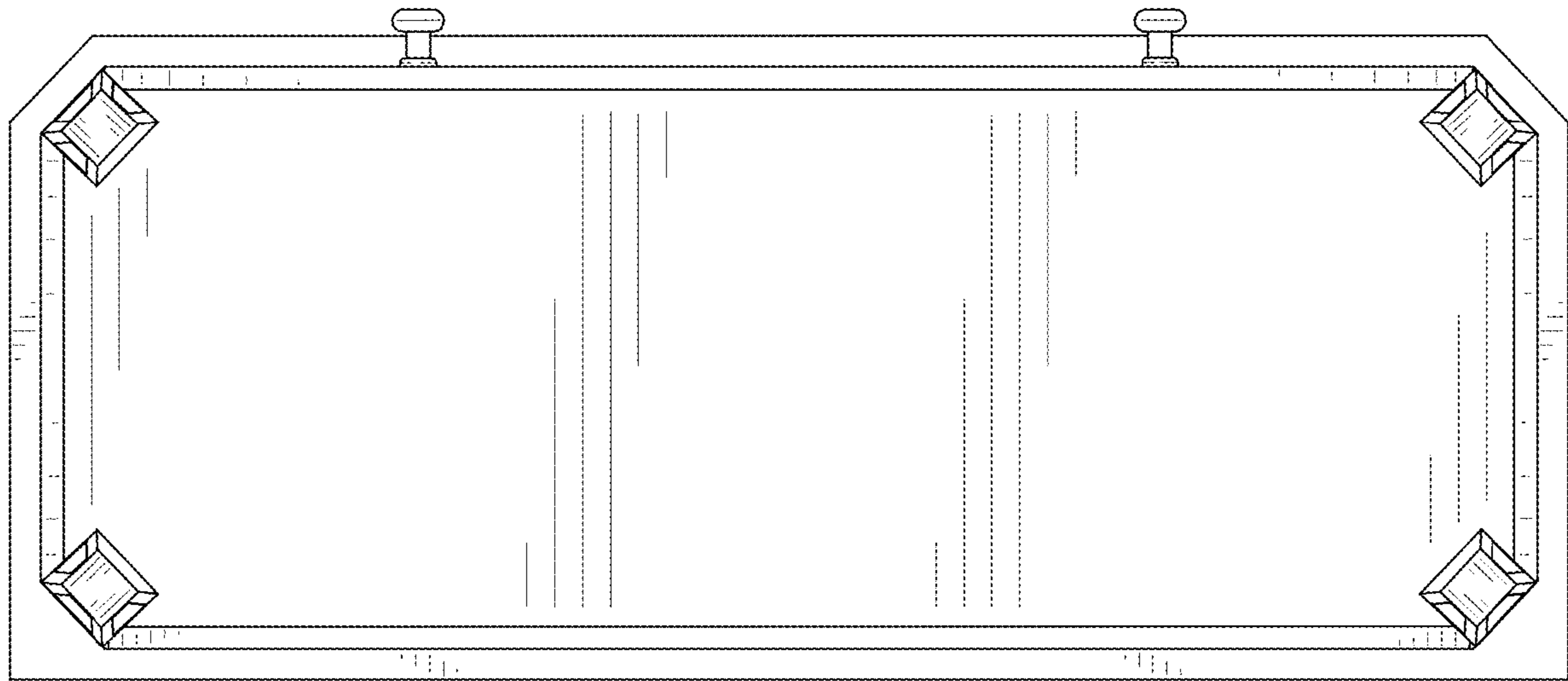


FIG. 8