



US00D935238S

(12) **United States Design Patent**
Jeon

(10) **Patent No.:** **US D935,238 S**

(45) **Date of Patent:** **** Nov. 9, 2021**

(54) **CABINET**

(71) Applicant: **BSM CO., LTD.**, Paju-si (KR)

(72) Inventor: **Young Min Jeon**, Incheon (KR)

(73) Assignee: **BSM CO., LTD.**, Gyeonggi-Do (KR)

(**) Term: **15 Years**

(21) Appl. No.: **29/728,377**

(22) Filed: **Mar. 18, 2020**

(51) **LOC (13) Cl.** **06-04**

(52) **U.S. Cl.**
USPC **D6/663**

(58) **Field of Classification Search**
USPC D6/334, 349, 355, 364, 376, 659, 663,
D6/667
CPC A45C 11/16; A45C 13/001; A45C 15/00
See application file for complete search history.

(56) **References Cited**

U.S. PATENT DOCUMENTS

D74,421 S *	2/1928	Fishman	D6/667
D236,668 S *	9/1975	Mudde	D6/667
D258,785 S *	4/1981	Hatch	D6/667
D439,743 S *	4/2001	DeVance	D3/297
D517,548 S *	3/2006	Wedding	D14/368
D812,933 S *	3/2018	Leonorovitz	D6/667

D812,934 S *	3/2018	Leonorovitz	D6/667
D837,545 S *	1/2019	Jahns	D6/349
D871,804 S *	1/2020	Segal	D6/659
10,617,217 B1 *	4/2020	Razon	A47C 3/40
D917,902 S *	5/2021	Guthrie	D6/349
2003/0205577 A1 *	11/2003	Au	A45C 11/16 220/9.1
2018/0116358 A1 *	5/2018	Schifter	A45C 15/00

* cited by examiner

Primary Examiner — Kevin K Rudzinski

Assistant Examiner — Paul D Bohannon

(74) *Attorney, Agent, or Firm* — Cantor Colburn LLP

(57) **CLAIM**

The ornamental design of a cabinet, as shown and described.

DESCRIPTION

FIG. 1 is a perspective view of a cabinet showing our new design;
FIG. 2 is a front view of the cabinet;
FIG. 3 is a rear view of the cabinet;
FIG. 4 is a left side view of the cabinet;
FIG. 5 is a right side view of the cabinet;
FIG. 6 is a top plan view of the cabinet; and,
FIG. 7 is a bottom plan view of the cabinet.

The broken line portions in the drawings are shown to illustrate environment only and form no part of the claimed design.

1 Claim, 7 Drawing Sheets

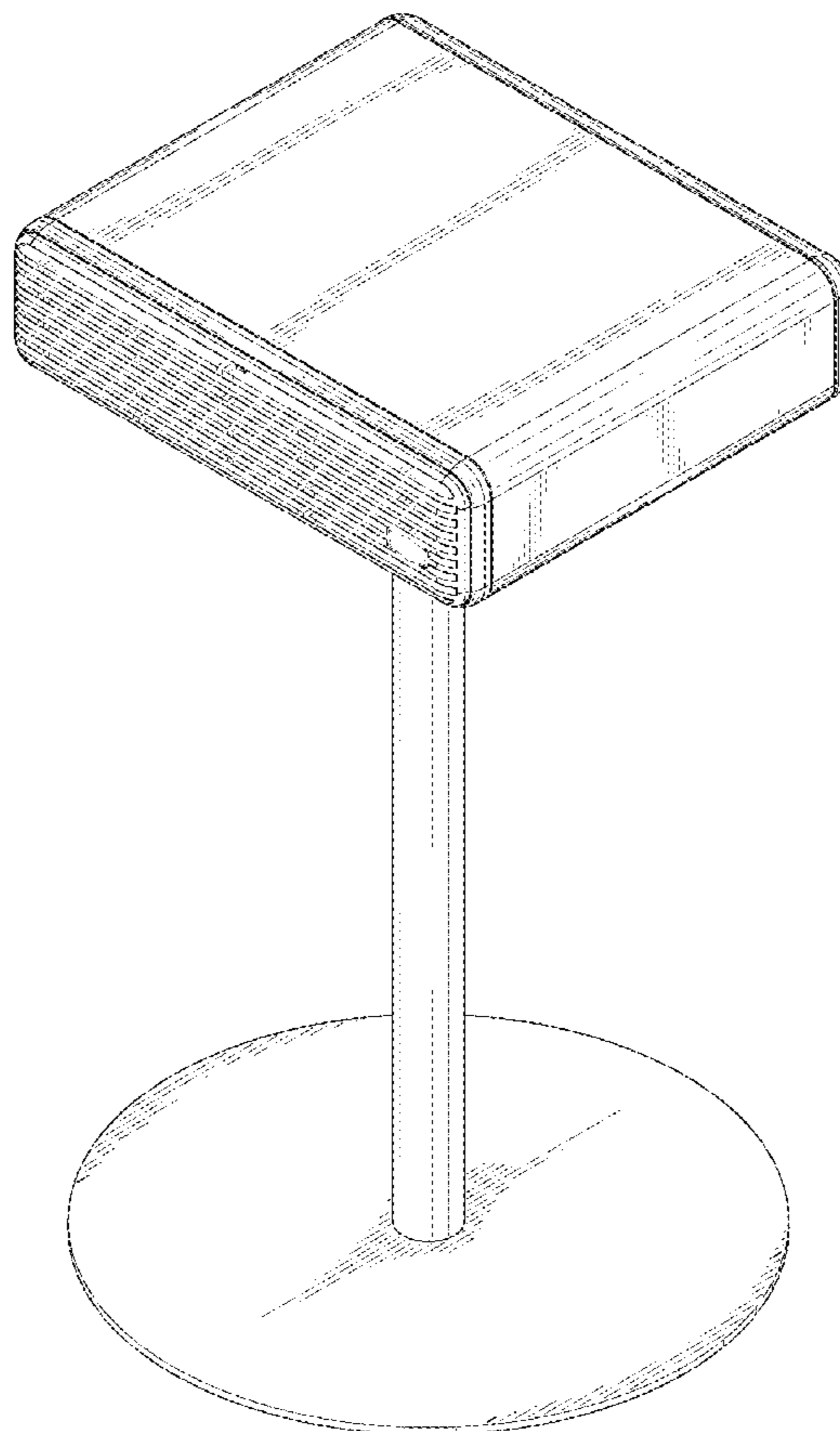


FIG. 1

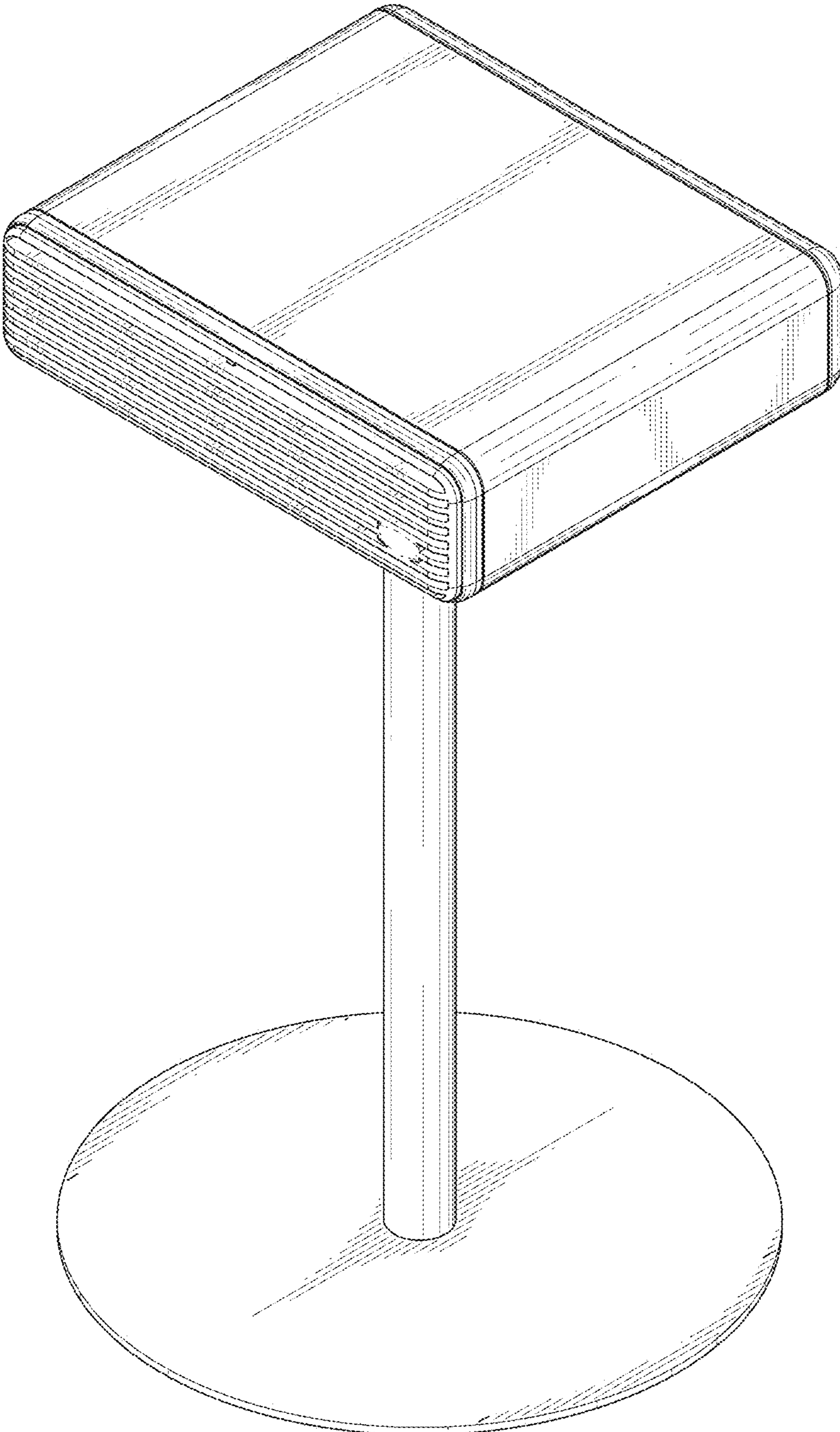


FIG. 2

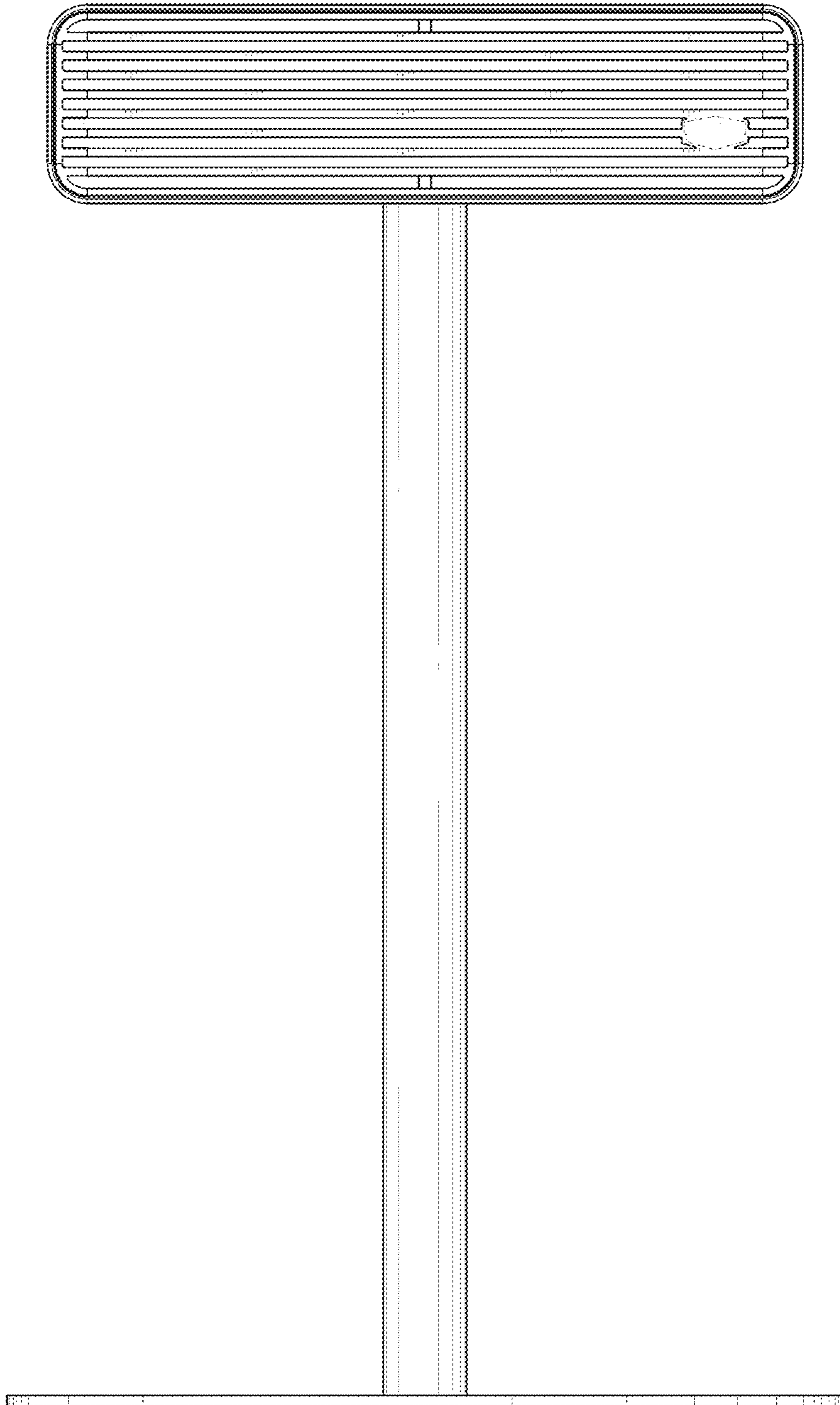


FIG. 3

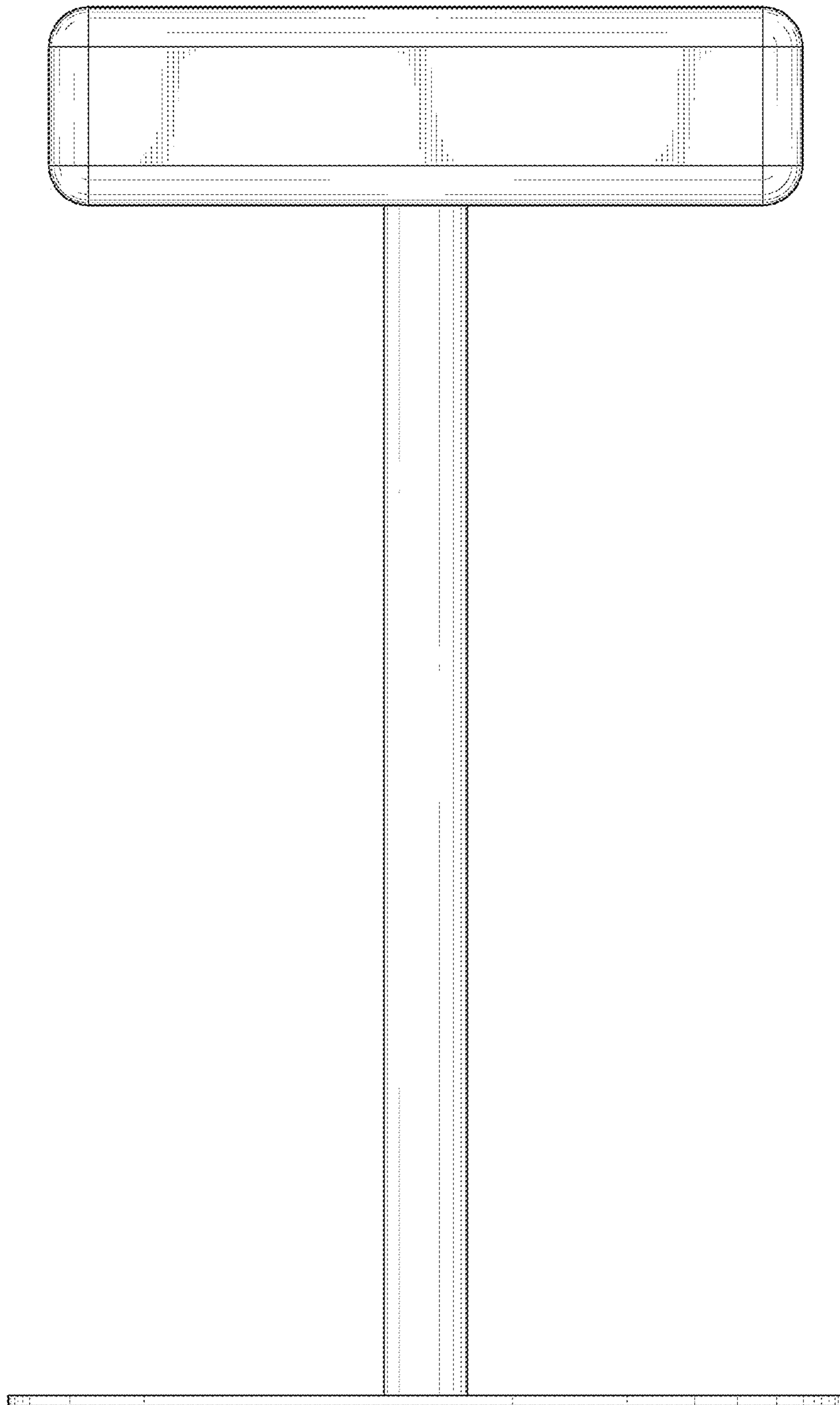


FIG. 4

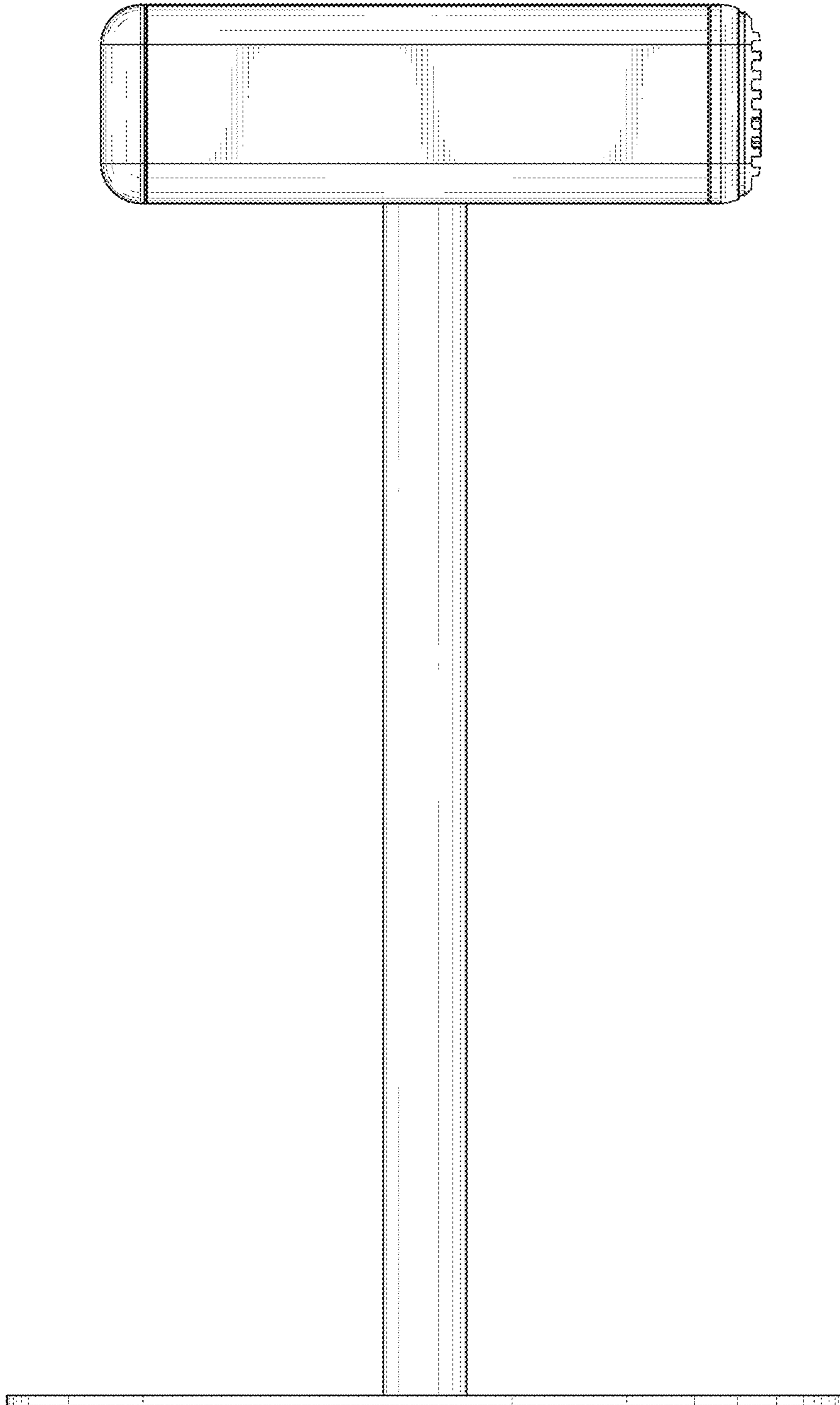


FIG. 5

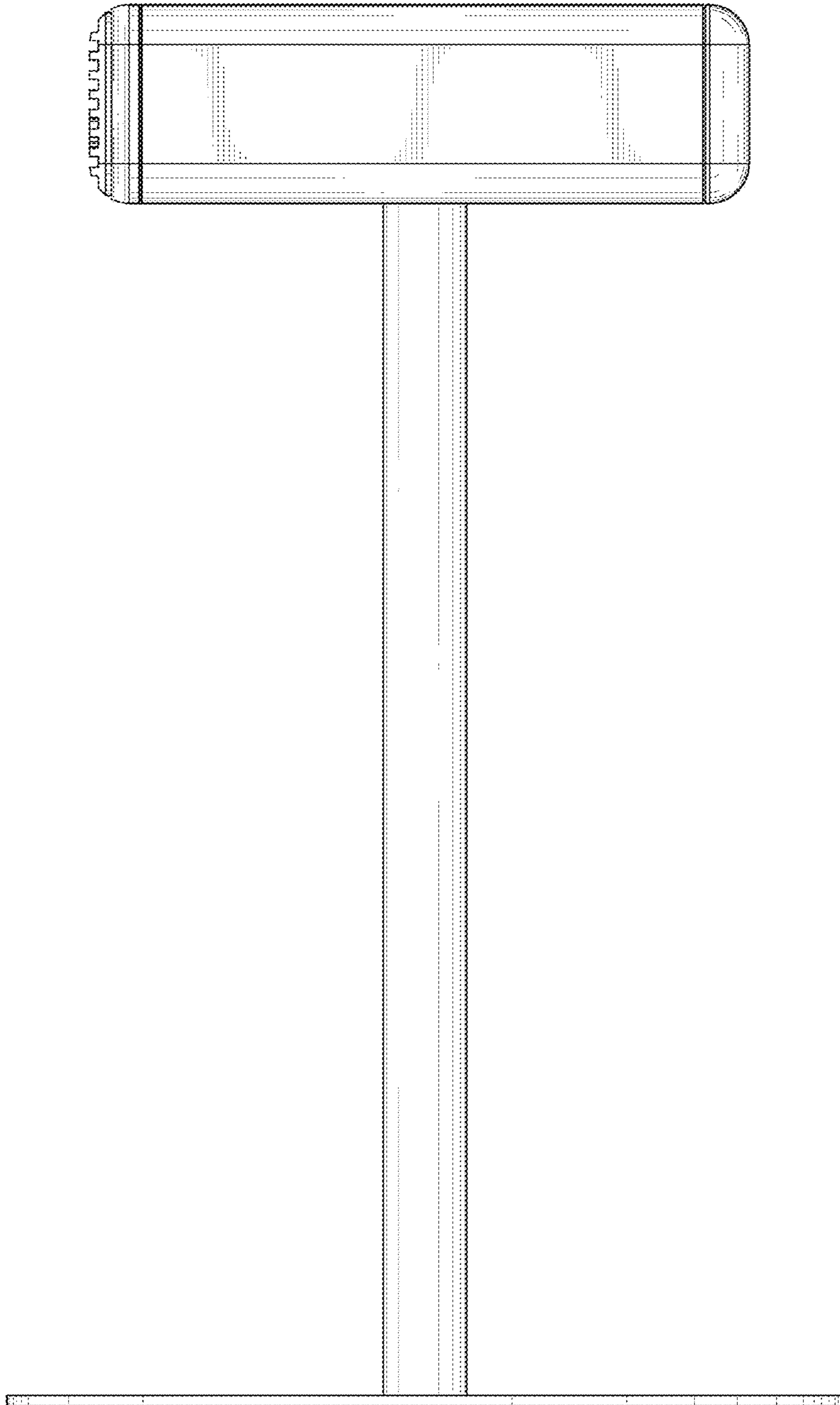


FIG. 6

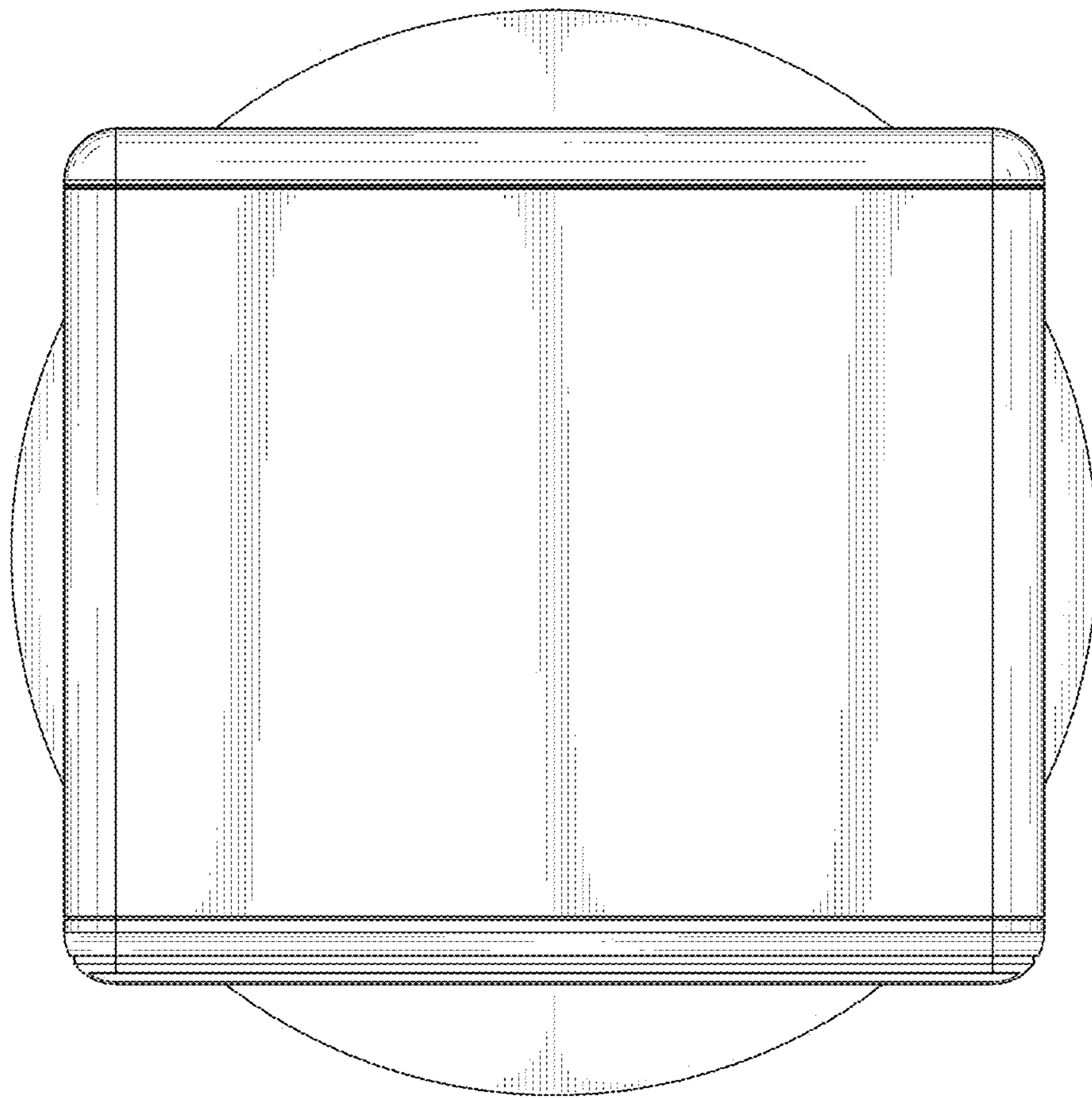


FIG. 7

