



US00D935236S

(12) **United States Design Patent** (10) **Patent No.:** **US D935,236 S**
Guo (45) **Date of Patent:** **** Nov. 9, 2021**

(54) **CABINET**
(71) Applicant: **Anhui Maoxin Household Crafts Co., Ltd**, Suzhou (CN)
(72) Inventor: **Qihu Guo**, Anhui (CN)
(**) Term: **15 Years**
(21) Appl. No.: **29/731,683**
(22) Filed: **Apr. 17, 2020**
(51) **LOC (13) Cl.** **06-01**
(52) **U.S. Cl.**
USPC **D6/657**
(58) **Field of Classification Search**
USPC D6/657, 664.1, 666, 668.2, 669, 671, D6/671.1, 675, 675.1, 675.3, 702; D15/79, 81, 85, 88; D20/1, 4, 5; D23/286
CPC A47F 9/00; A47B 43/00; A47B 87/002; E04H 1/00; E04H 1/1205; E04H 1/005; E04H 1/12; E04H 1/1283; D06F 57/10; E04B 1/34321; E04B 1/34331; E04B 1/3483; E04B 1/34807; E04B 1/343; E04B 1/348; E06B 1/04
See application file for complete search history.

D346,082 S * 4/1994 Ward D6/691
D454,445 S * 3/2002 O'Hare D6/668.2
D455,288 S * 4/2002 O'Hare D6/668.2
D482,901 S * 12/2003 Stanton D6/668.2
D486,016 S * 2/2004 Stanton D6/656
D488,638 S * 4/2004 Stanton D6/668.2
D497,742 S * 11/2004 Dortch D6/655
D604,529 S * 11/2009 Bloch D6/651
D900,508 S * 11/2020 Guo D6/655.1

* cited by examiner

Primary Examiner — Kevin K Rudzinski
Assistant Examiner — Paul D Bohannon

(57) **CLAIM**

The ornamental design for a cabinet, as shown and described.

DESCRIPTION

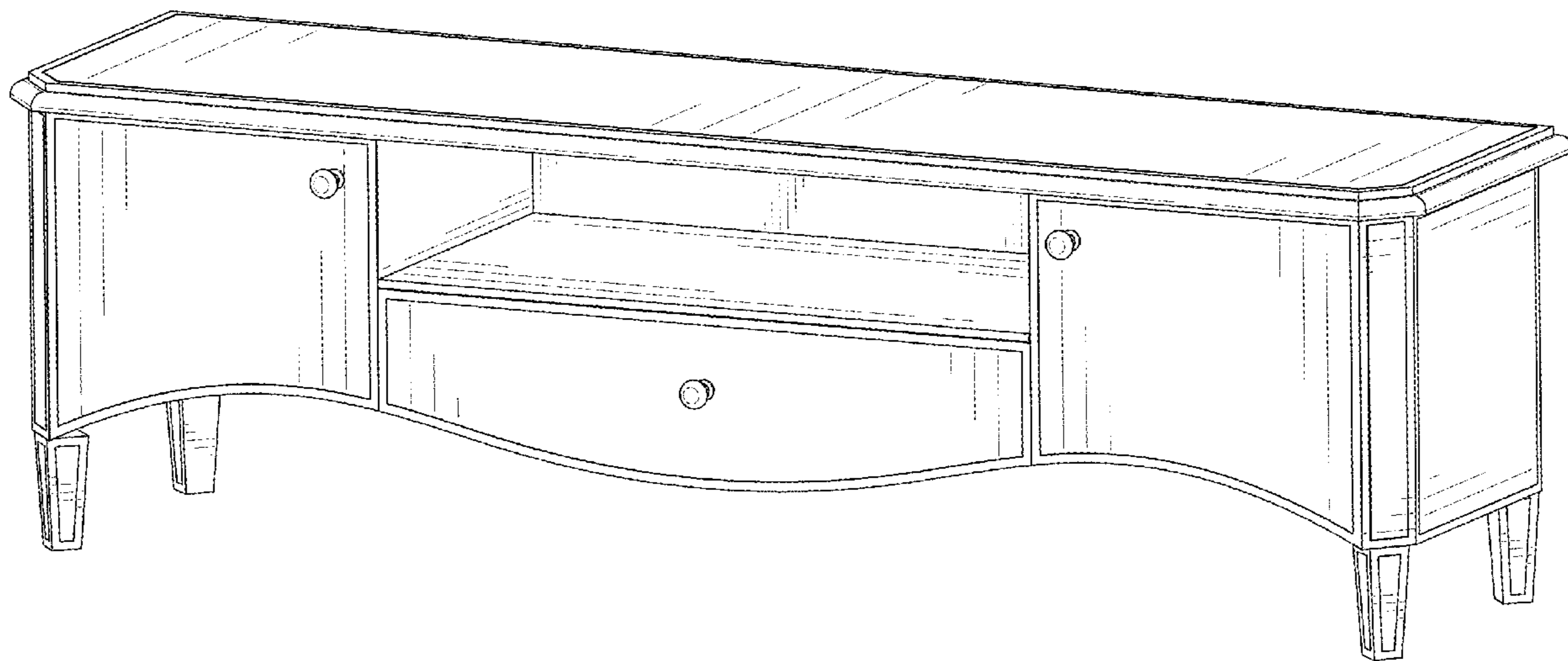
FIG. 1 is a front and top perspective view of a cabinet, showing my new design;
FIG. 2 is a rear and bottom perspective view thereof;
FIG. 3 is a front elevational view thereof;
FIG. 4 is a rear elevational view thereof;
FIG. 5 is a left side elevational view thereof;
FIG. 6 is a right side elevational view thereof;
FIG. 7 is a top plan view thereof; and,
FIG. 8 is a bottom plan view thereof.

(56) **References Cited**

U.S. PATENT DOCUMENTS

D84,439 S * 6/1931 Purnell D6/691.9
D186,025 S * 9/1959 Fisher D6/651

1 Claim, 8 Drawing Sheets



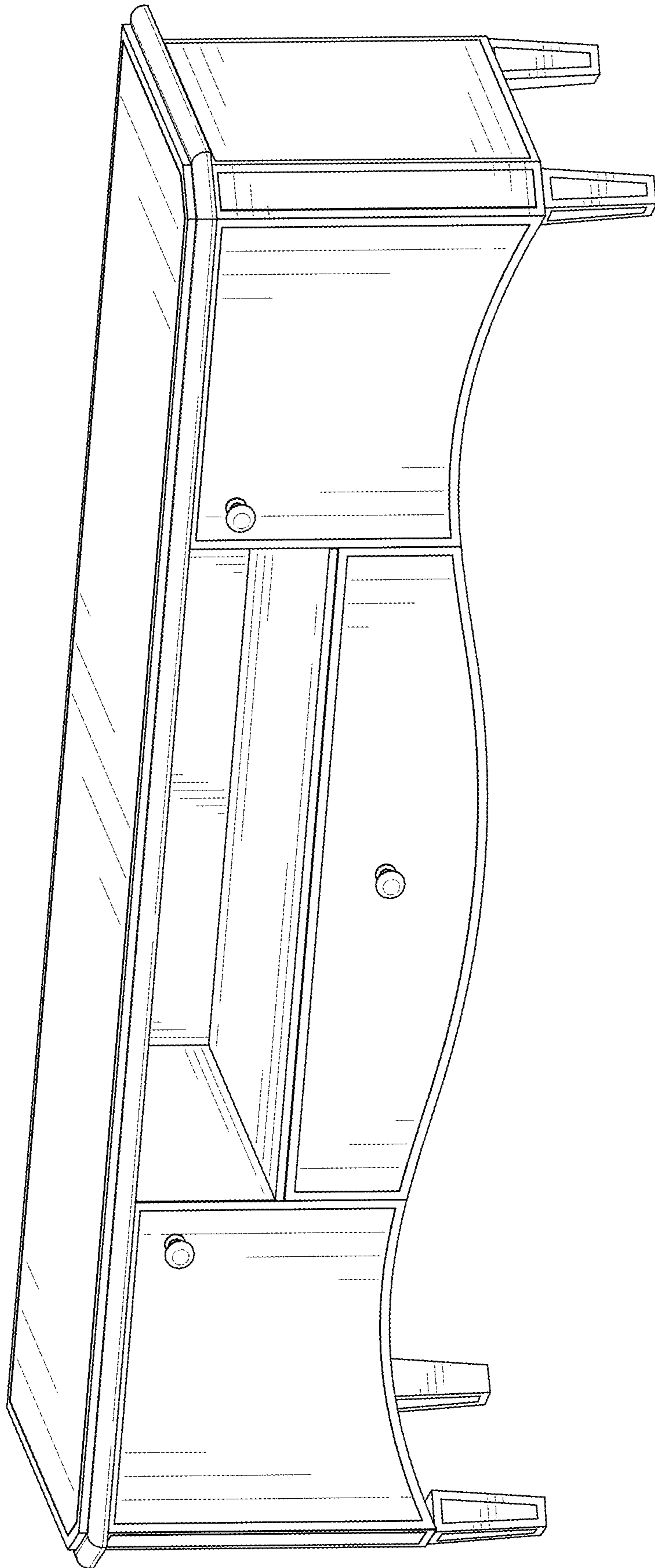


FIG. 1

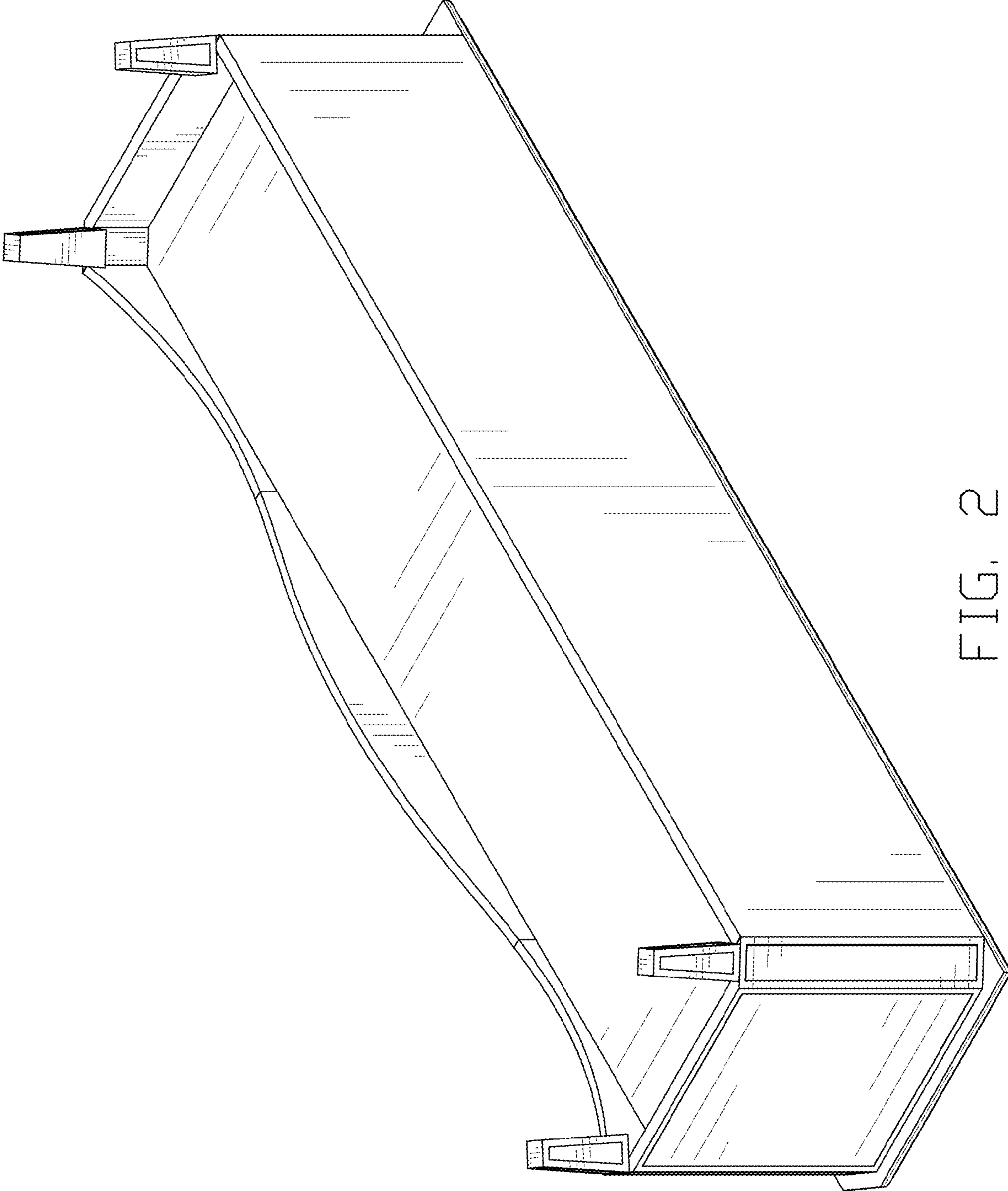


FIG. 2

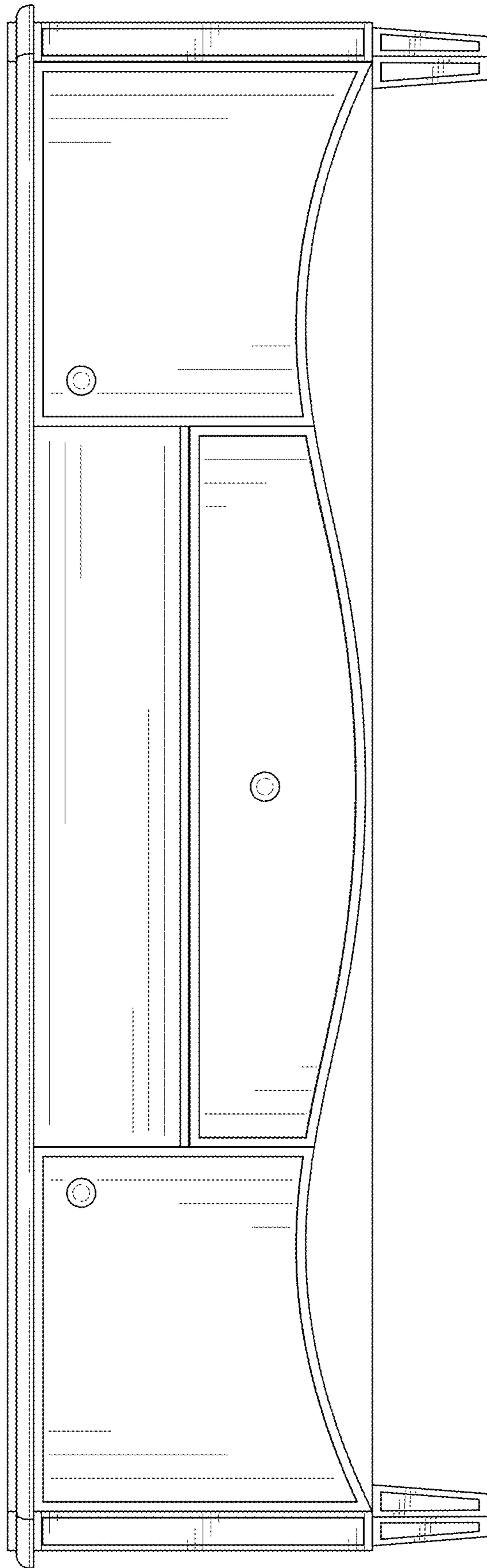


FIG. 3

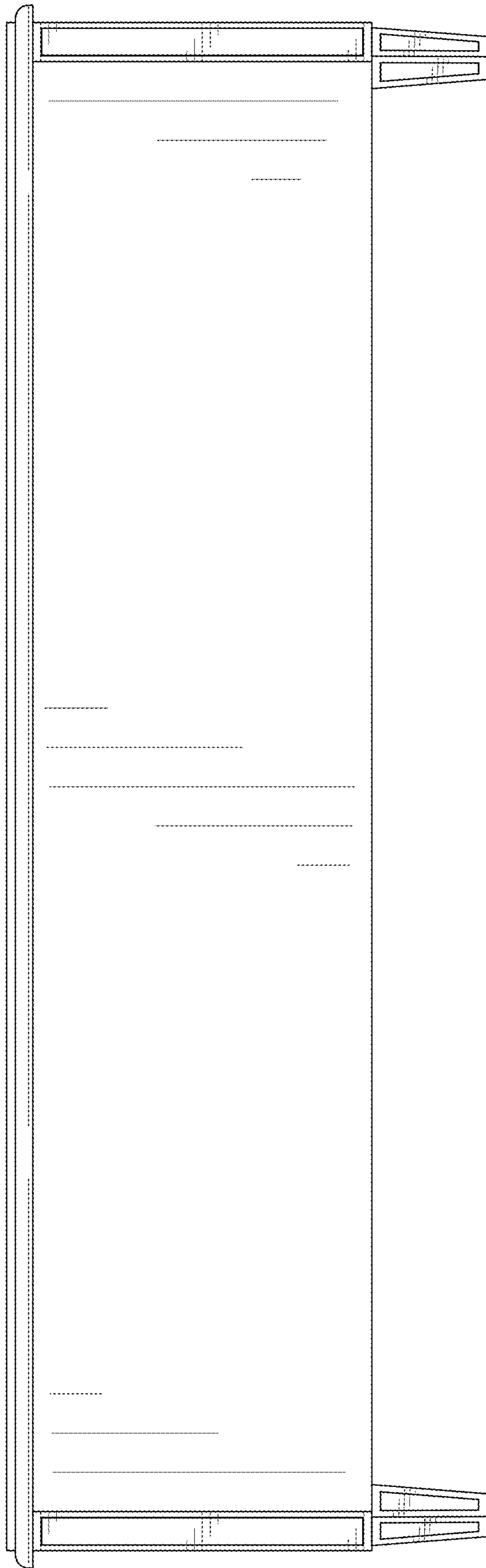


FIG. 4

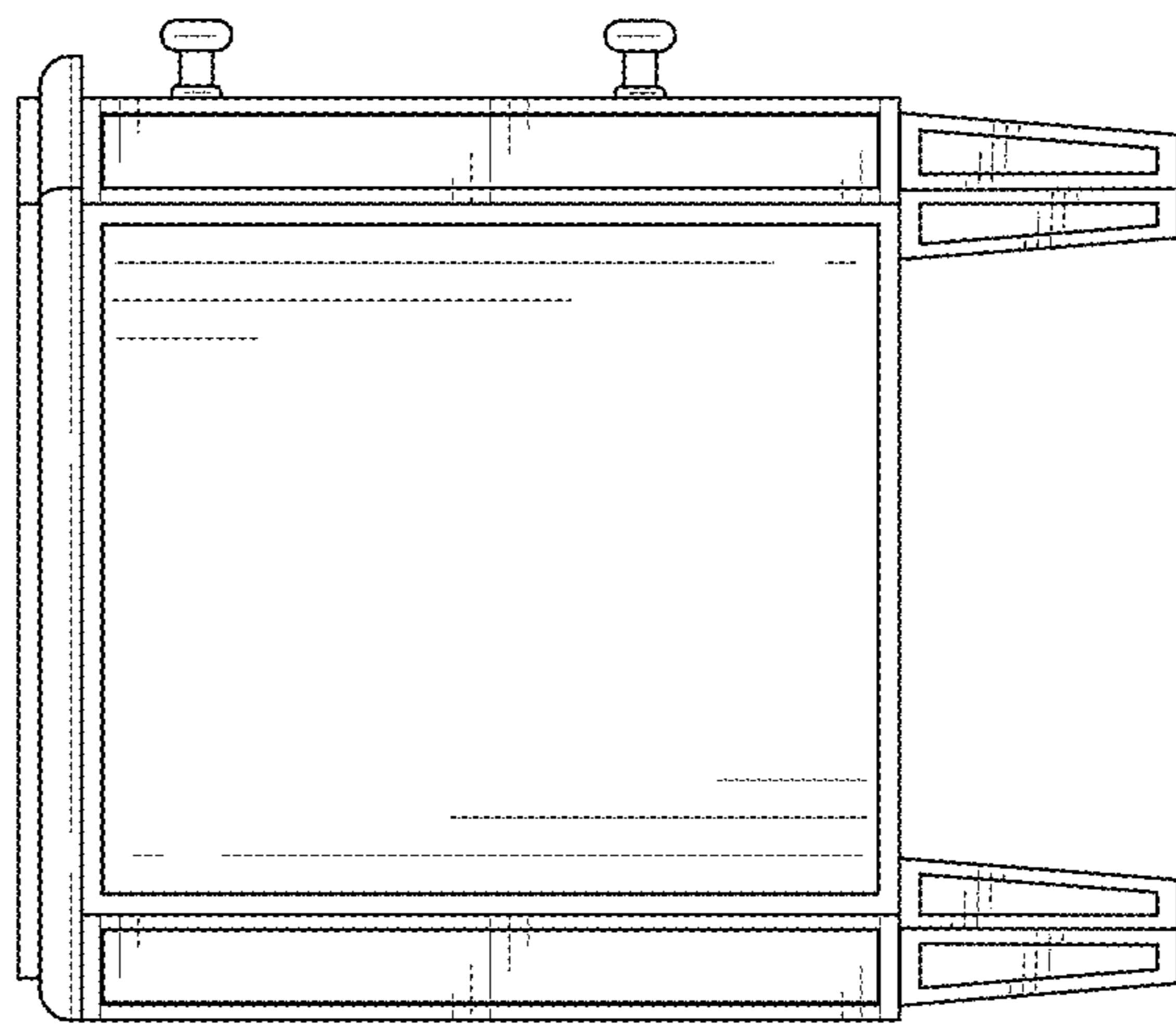


FIG. 5

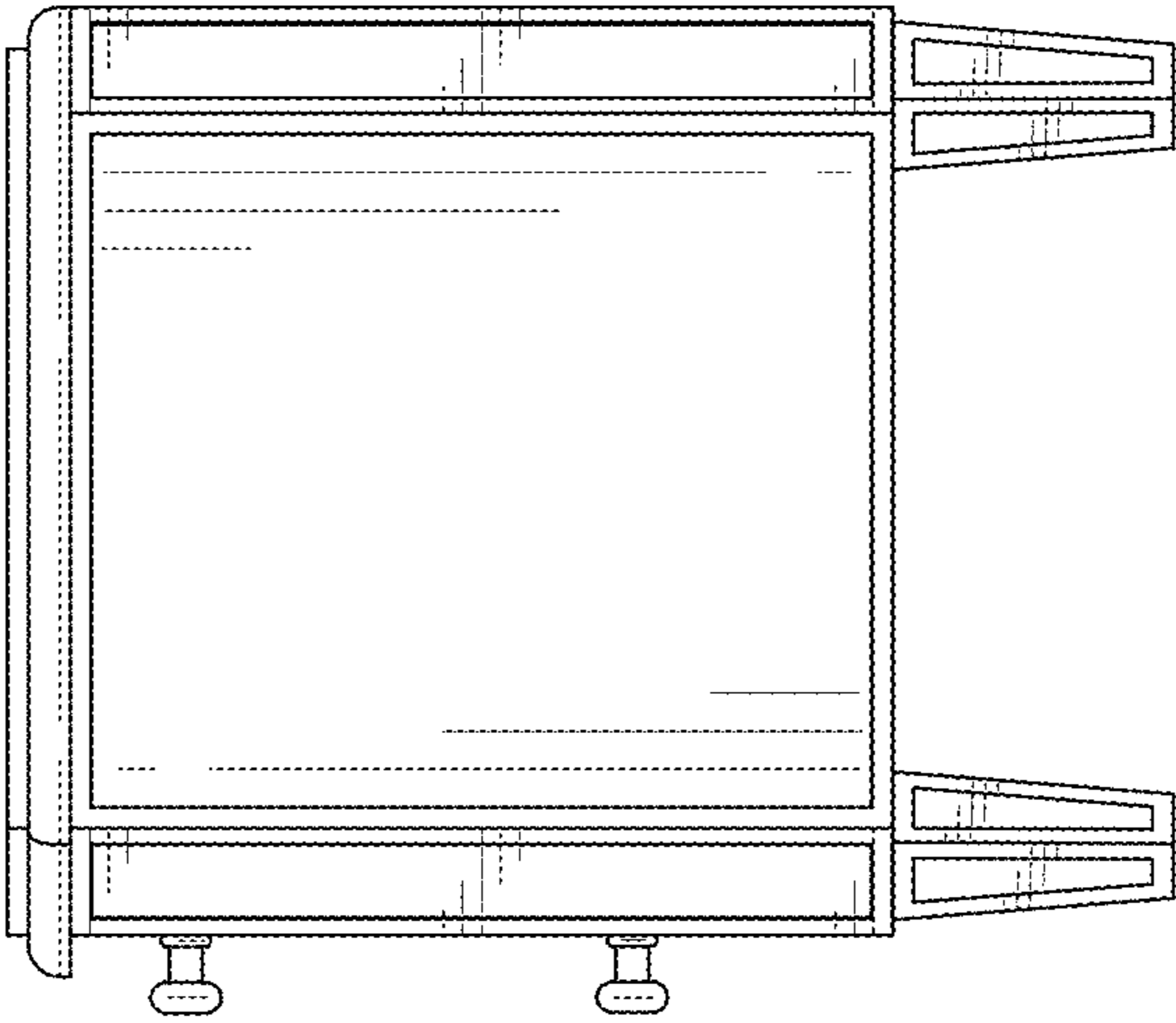


FIG. 6

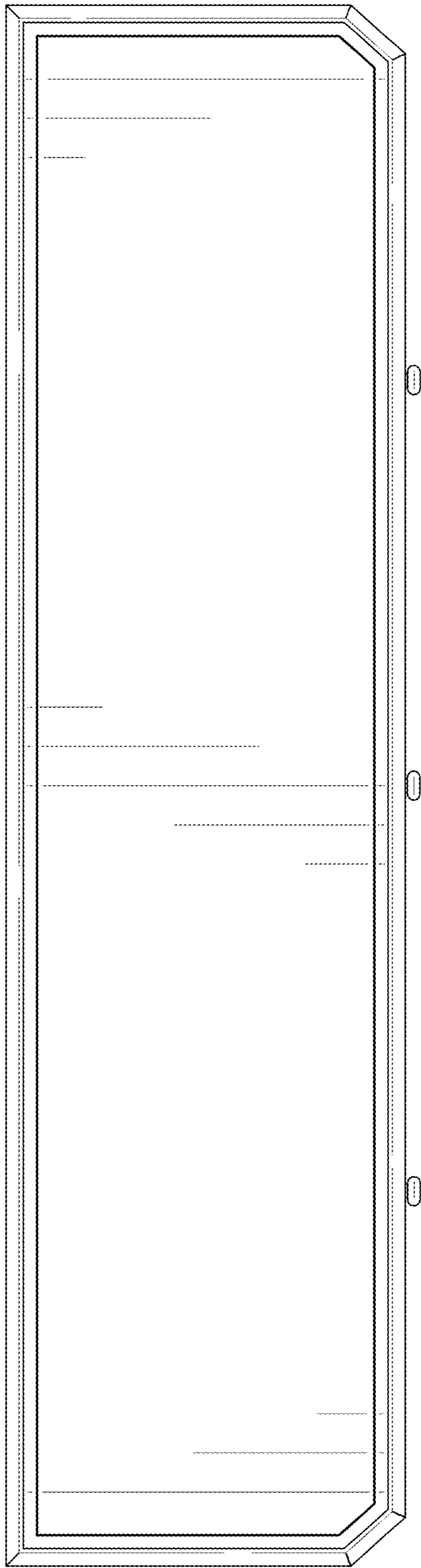


FIG. 7

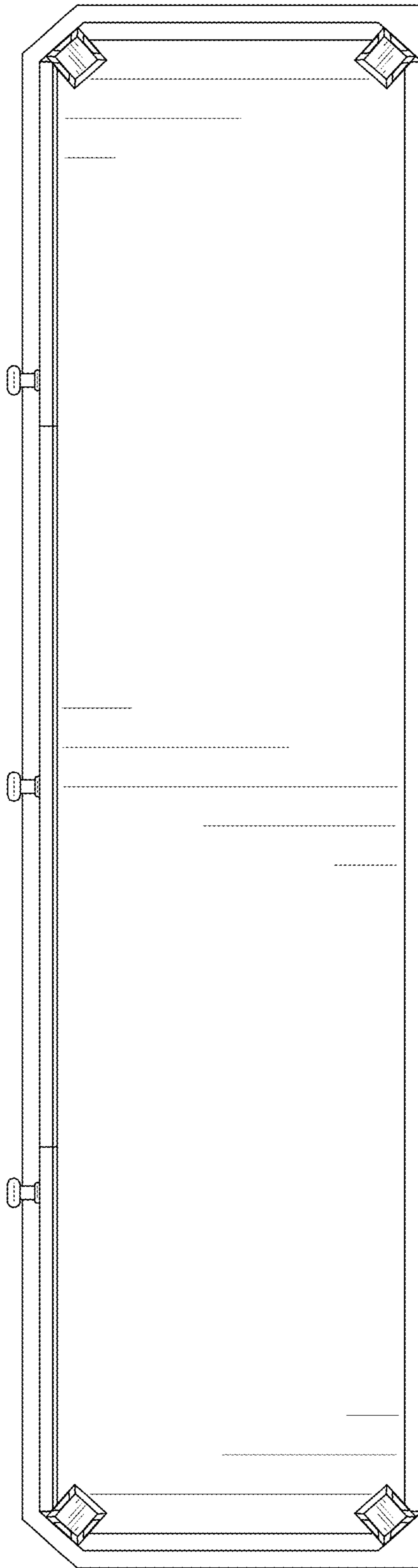


FIG. 8