



US00D935233S

(12) **United States Design Patent** (10) **Patent No.:** **US D935,233 S**
Zhang (45) **Date of Patent:** **** Nov. 9, 2021**

(54) **CAR SEAT CUSHION**

FOREIGN PATENT DOCUMENTS

(71) Applicant: **Xiaojie Zhang**, Ningbo (CN)

EM 002761965-0001 * 8/2015

(72) Inventor: **Xiaojie Zhang**, Ningbo (CN)

OTHER PUBLICATIONS

(**) Term: **15 Years**

2013 Club Car Precedent [online], [site visited Mar. 30, 2021]. Available from internet, URL:<https://www.wiersgolfcarts.com/product/2013-club-car-precedent-monster/> (Year: 2013).*

(21) Appl. No.: **29/760,528**

(Continued)

(22) Filed: **Dec. 2, 2020**

(51) **LOC (13) Cl.** **06-13**

Primary Examiner — Cynthia Ramirez

(52) **U.S. Cl.**

Assistant Examiner — Xavier Marti-Santos

USPC **D6/611; D6/356**

(58) **Field of Classification Search**

(57) **CLAIM**

USPC D6/356, 375, 596, 601, 608, 610, 611, D6/613, 616, 715; D12/401, 406
CPC A47C 4/28; A47C 7/021; A47C 7/0213; A47C 7/024; A47C 7/22; A47C 7/386; A47C 7/42; A47C 7/68; A47C 31/10; A47C 31/11; A47C 31/113; A47C 31/116; B60N 2/58; B60N 2/60; B60N 2/6009; B60N 2/6018

The ornamental design for a car seat cushion, as shown and described.

See application file for complete search history.

DESCRIPTION

(56) **References Cited**

FIG. 1 is a first perspective view of a car seat cushion showing my new design;
FIG. 2 is a second perspective view thereof;
FIG. 3 is a front view thereof;
FIG. 4 is a back view thereof;
FIG. 5 is a left side view thereof;
FIG. 6 is a right side view thereof;
FIG. 7 is a top view thereof;
FIG. 8 is a bottom view thereof;
FIG. 9 is a perspective view of another state of the car seat cushion thereof;
FIG. 10 is an enlarged view of the selected portion in FIG. 1;
FIG. 11 is an enlarged view of the selected portion in FIG. 1; and,
FIG. 12 is an enlarged view of the selected portion in FIG. 2.

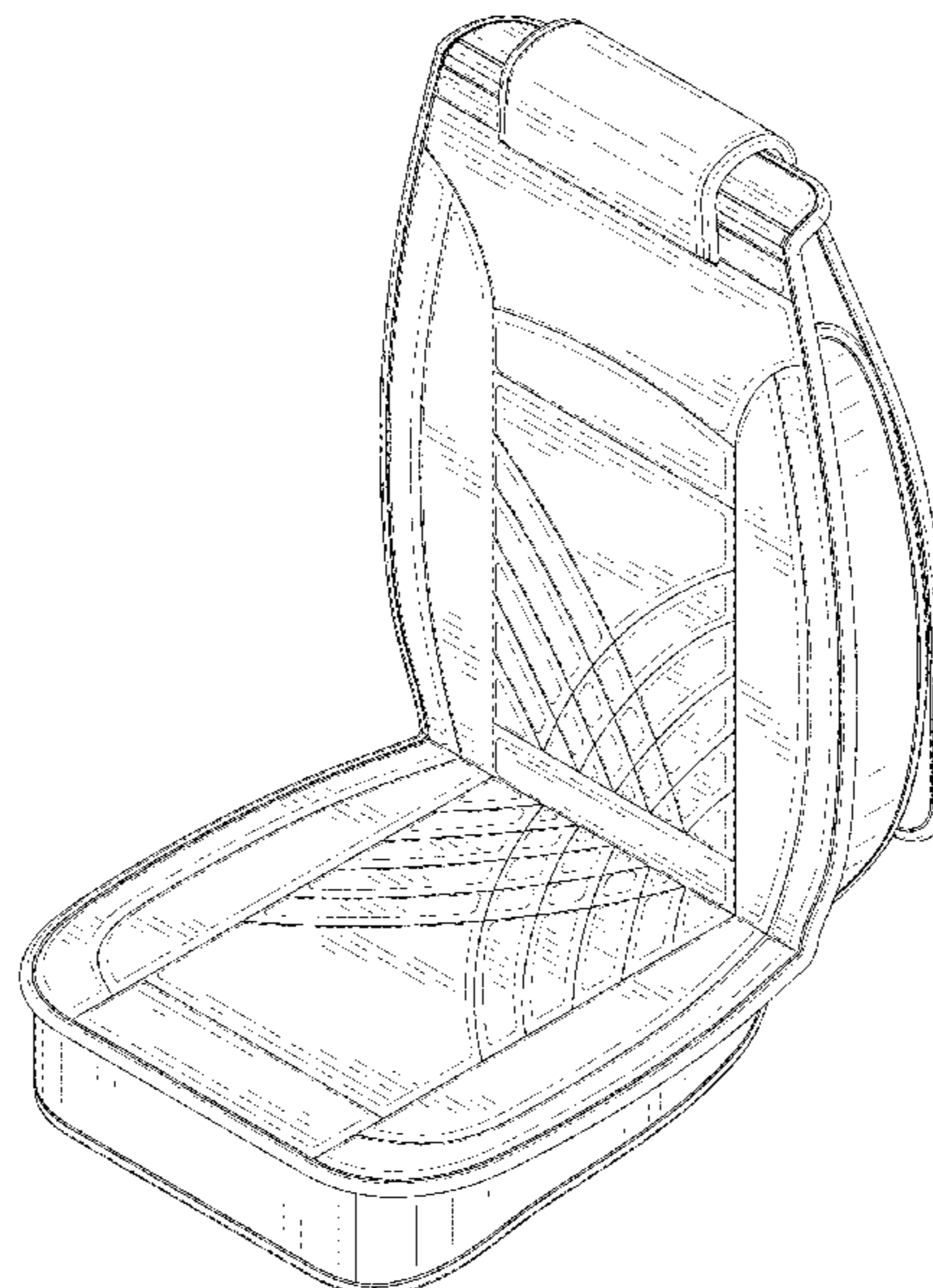
U.S. PATENT DOCUMENTS

D591,068 S * 4/2009 Corradi D6/356
D663,962 S * 7/2012 Muelder D6/356
D724,332 S * 3/2015 Ashley D6/356
D724,333 S * 3/2015 Ashley D6/356
D724,334 S * 3/2015 Ashley D6/356
D782,851 S * 4/2017 Goddard D6/601
D790,256 S 6/2017 Goddard
D826,613 S * 8/2018 Potter 6/716.1
D859,884 S 9/2019 Goddard
D887,739 S * 6/2020 Luis D6/356
D898,420 S 10/2020 Tan
D909,796 S * 2/2021 Cooper D6/611
D912,436 S * 3/2021 Ren D6/601
2020/0055427 A1 * 2/2020 Styn B60N 2/2893

The dash-dot broken lines in the figures are demarcating enlarged areas and form no part of the claimed design.

(Continued)

1 Claim, 12 Drawing Sheets



(56)

References Cited

U.S. PATENT DOCUMENTS

2020/0114859 A1* 4/2020 Ter Haseborg B60R 21/2165
2020/0171987 A1* 6/2020 Marques B60N 2/22

OTHER PUBLICATIONS

Kingphenix Premium PU Car Seat Cover [online], [site visited Mar. 30, 2021]. Available from internet, URL:<<https://www.amazon.com/kingphenix-Premium-Car-Seat-Cover/dp/B08CY842V4/>> (Year: 2020).*

Rixxu Seat Cover [online], [site visited Mar. 30, 2021]. Available from internet, URL:<https://www.carid.com/rixxu/rixxu-milano-series-seat-covers-3531309546.html?offermpnid=4566067891&view=707928&gclid=Cj0KCQjwmluDBhDXARIsAFITC_6GXz_-FNxDFiNea0kFYLI-1mXCjXGM_OCcw4nqLxJU0HMKXcA7XagaAmmcEALw_wcB> (Year: 2019).*

* cited by examiner

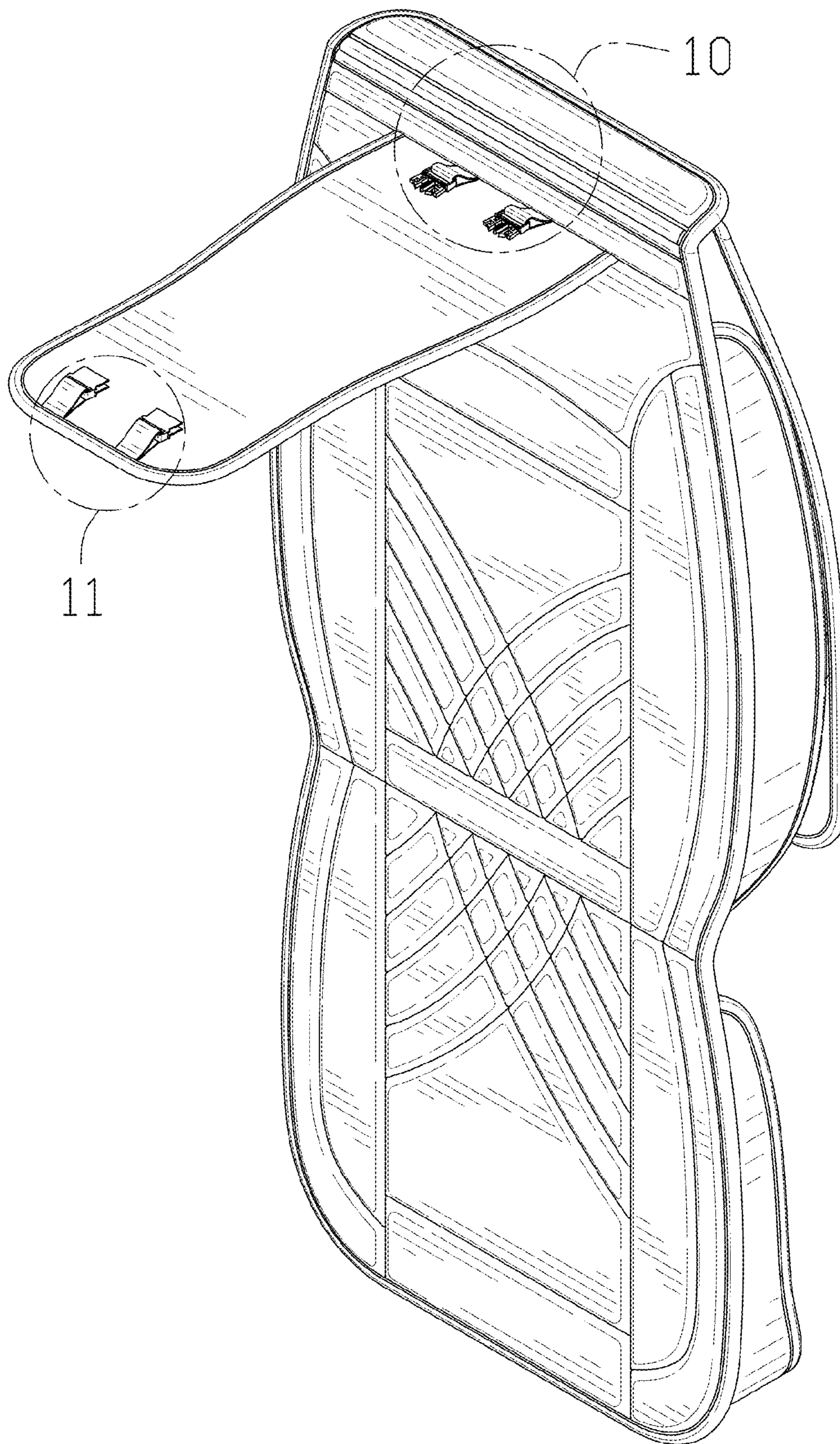


FIG. 1

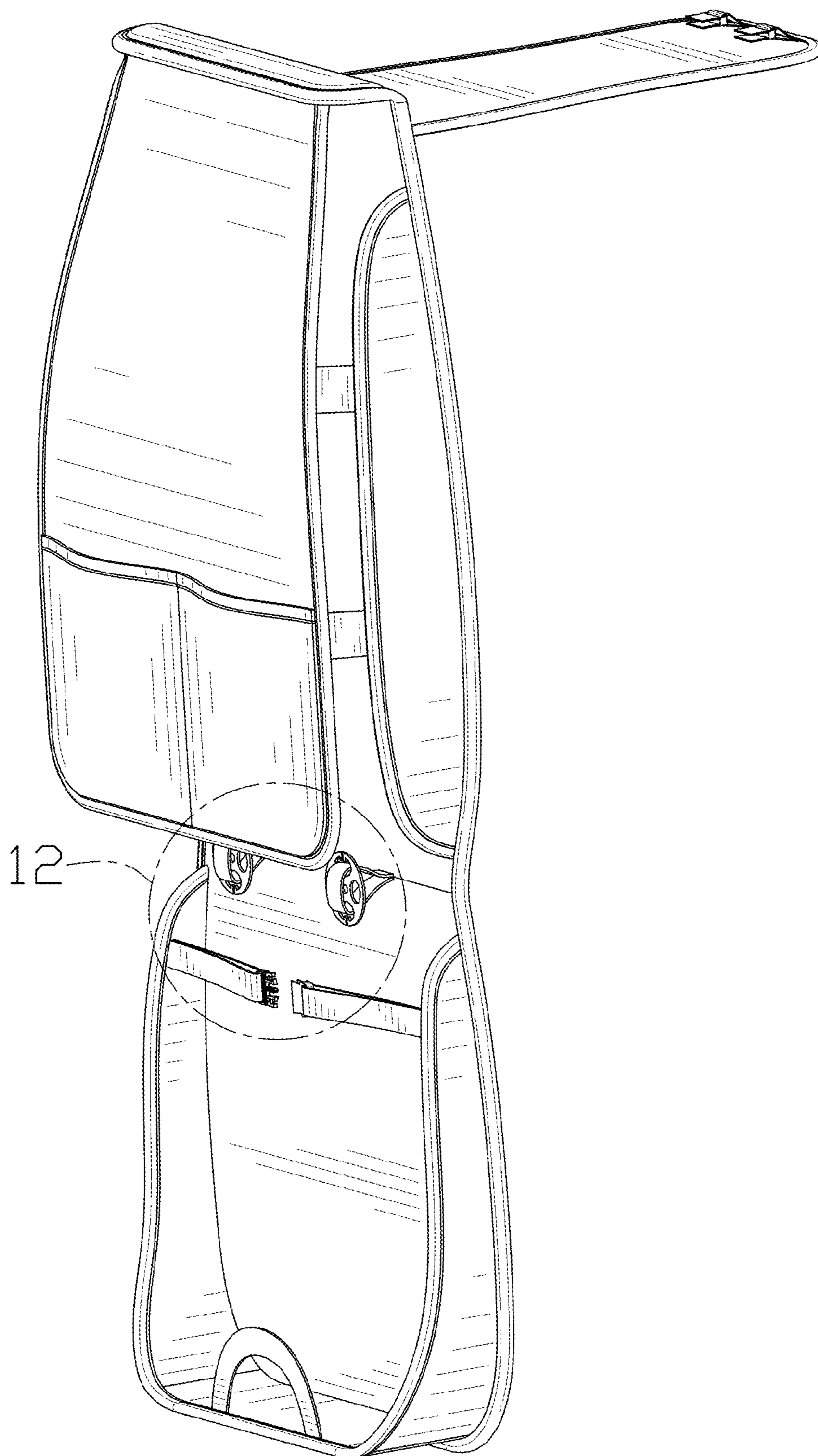


FIG. 2

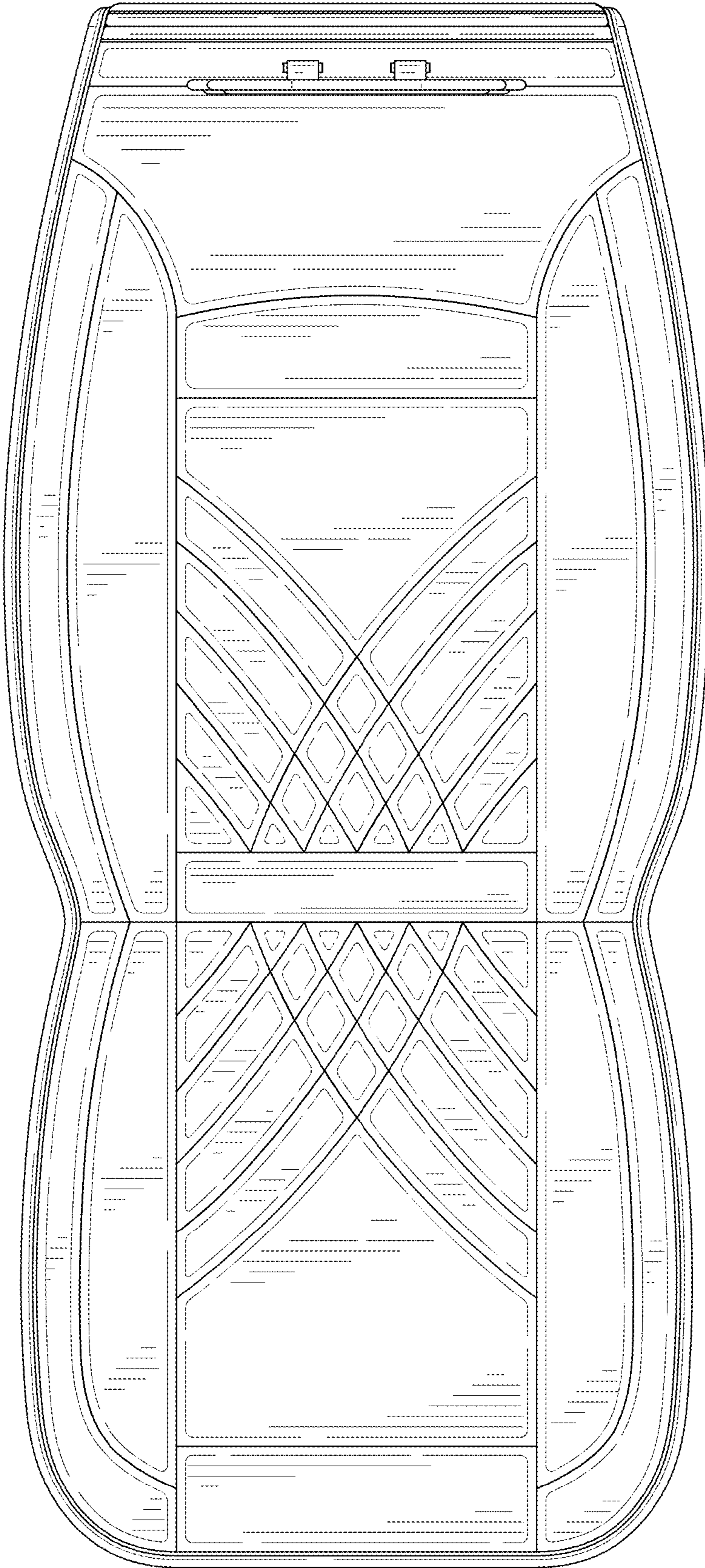


FIG. 3

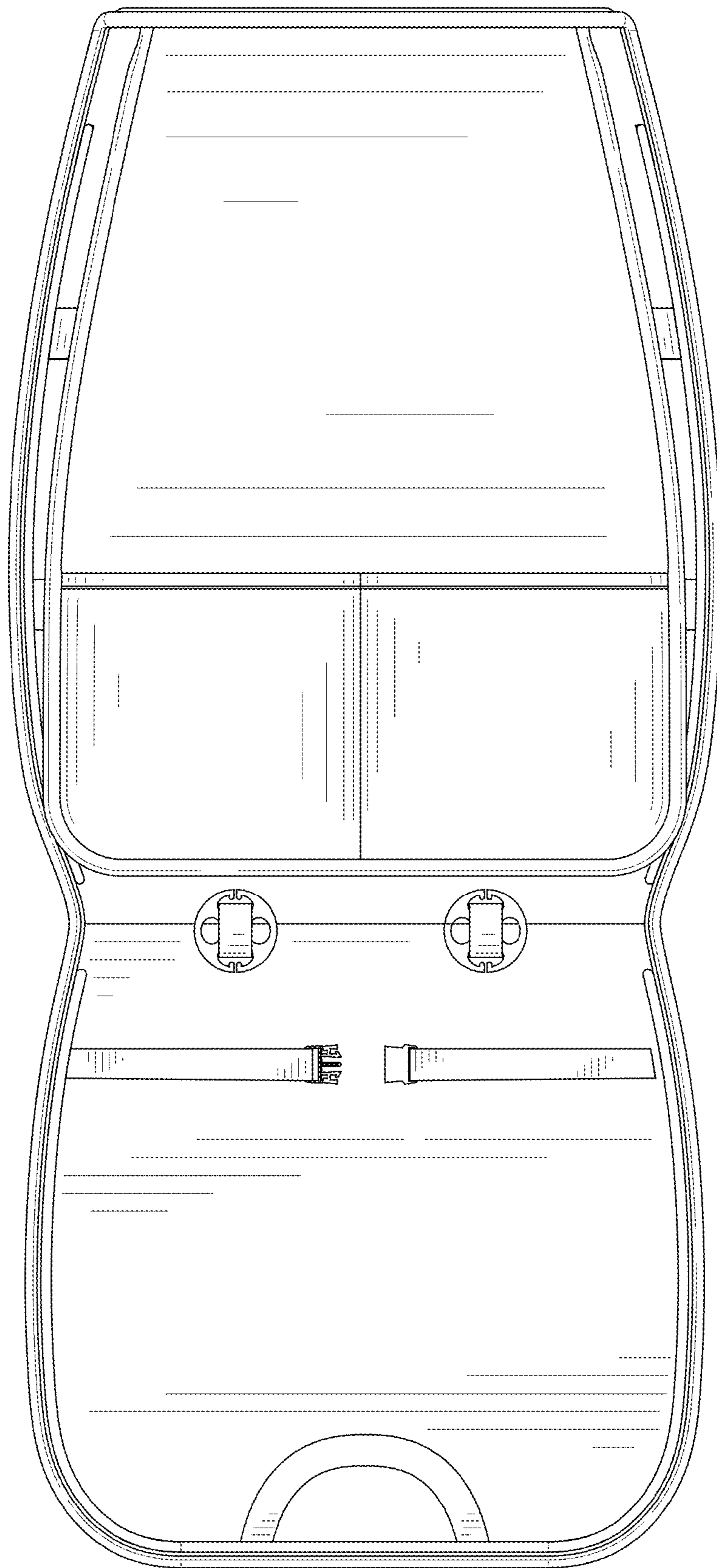


FIG. 4

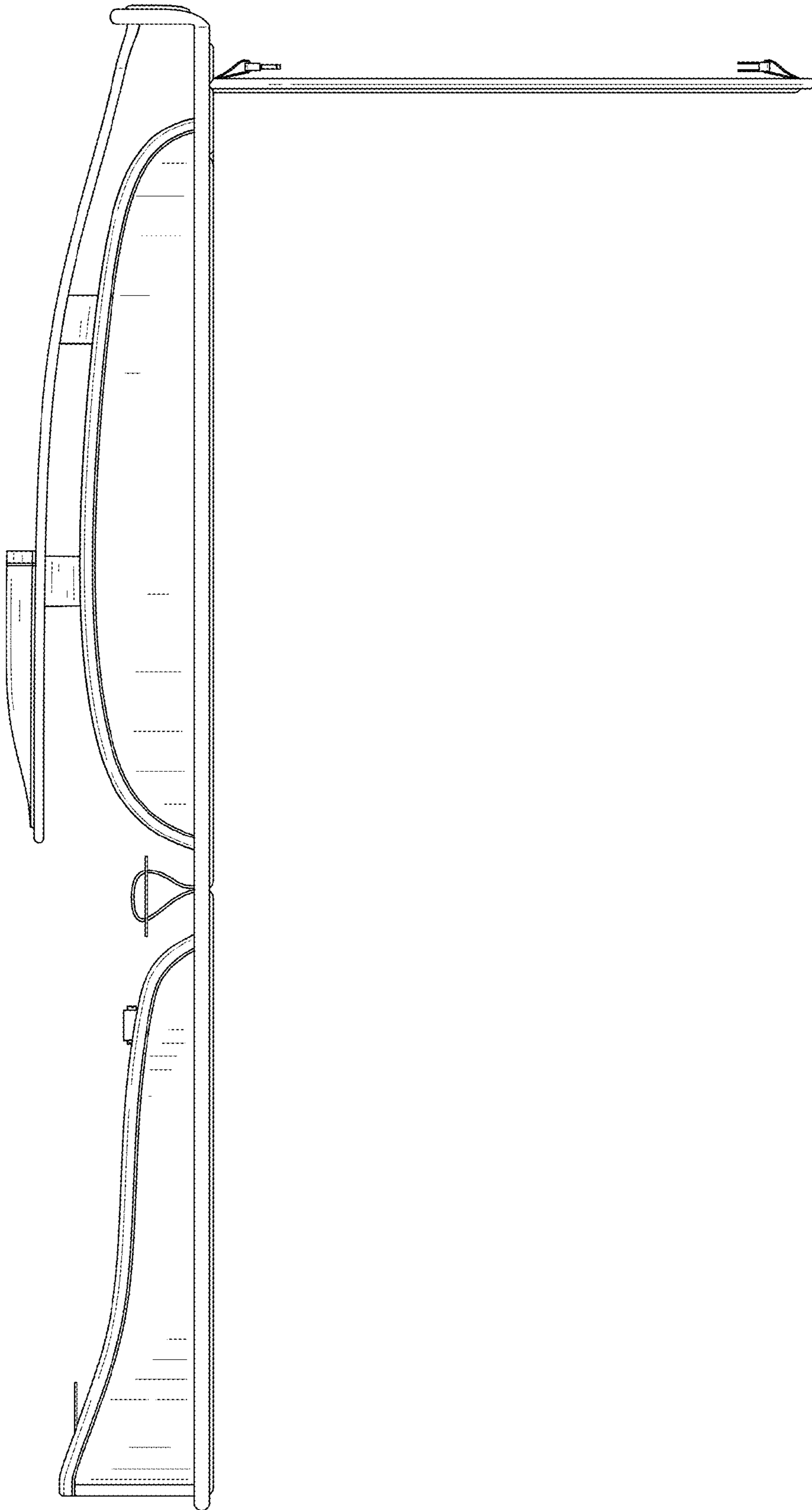


FIG. 5

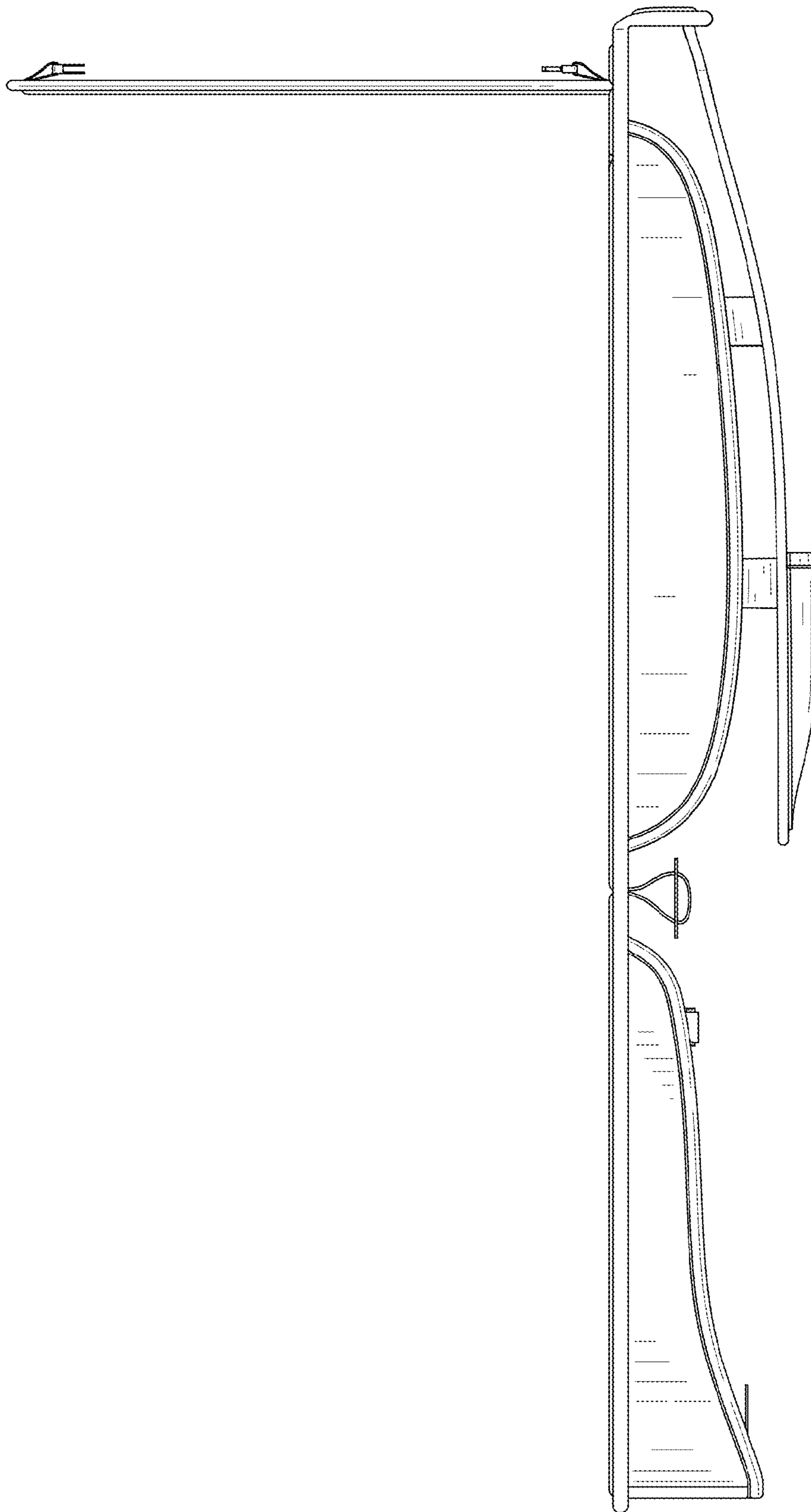


FIG. 6

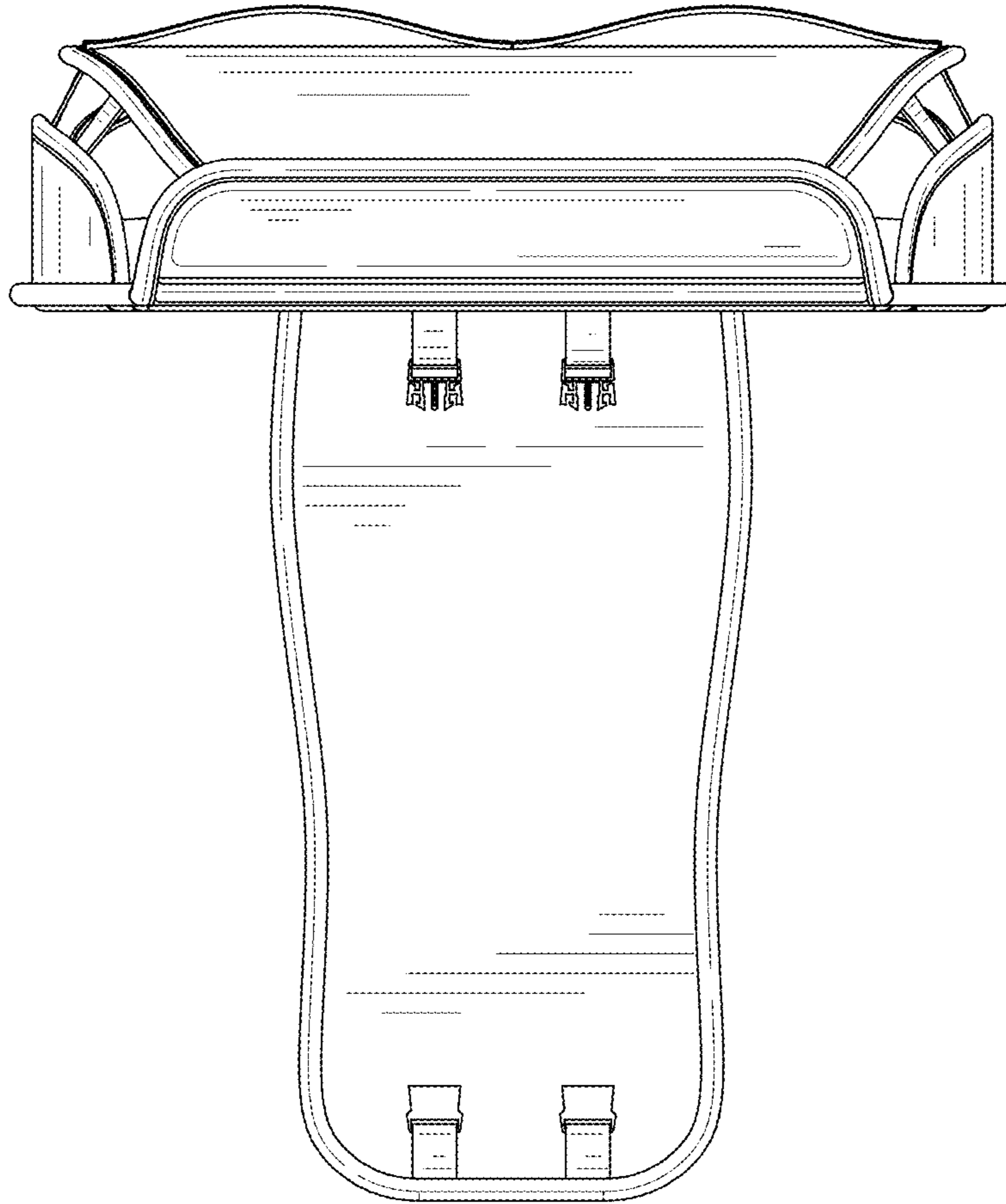


FIG. 7

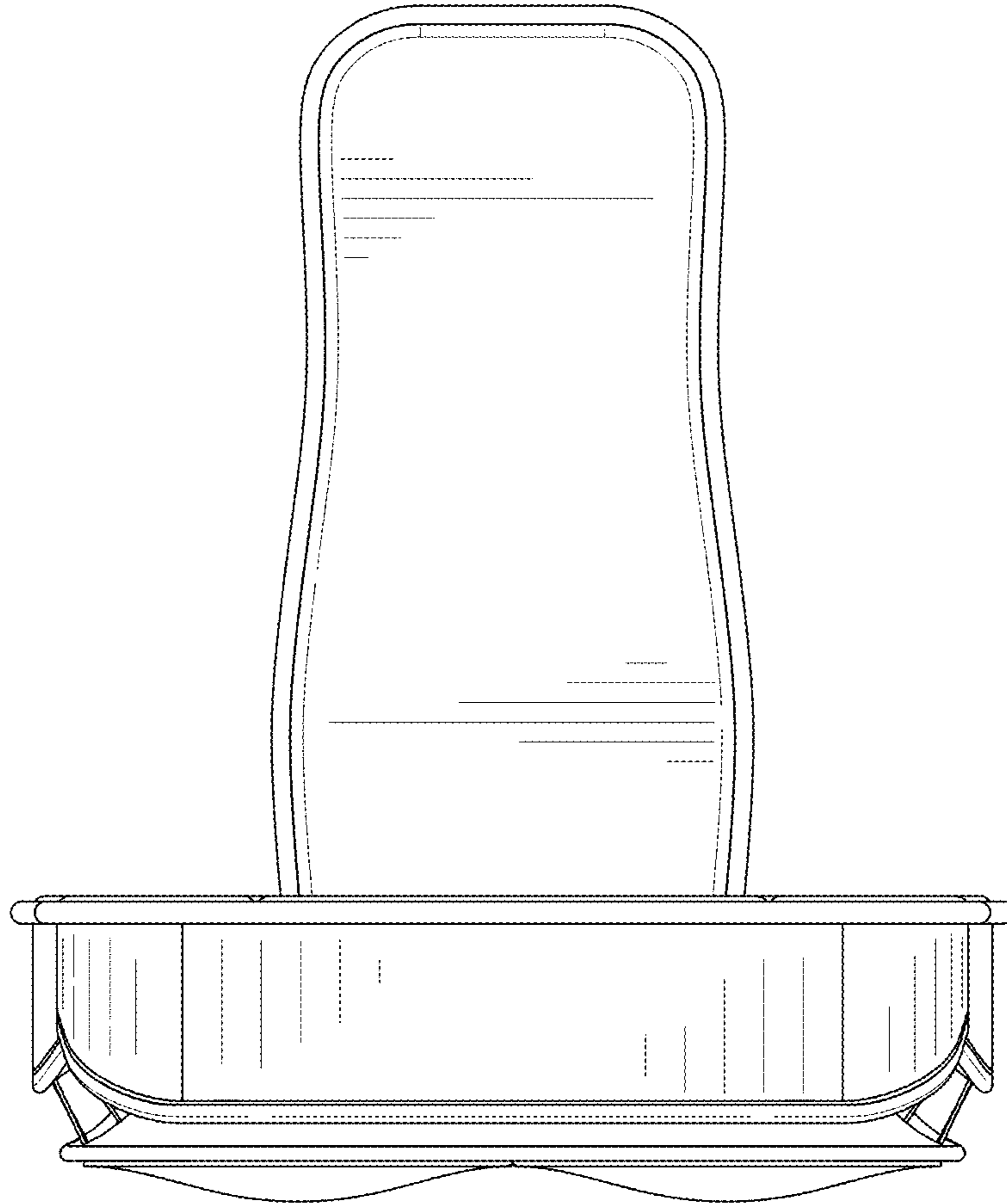


FIG. 8

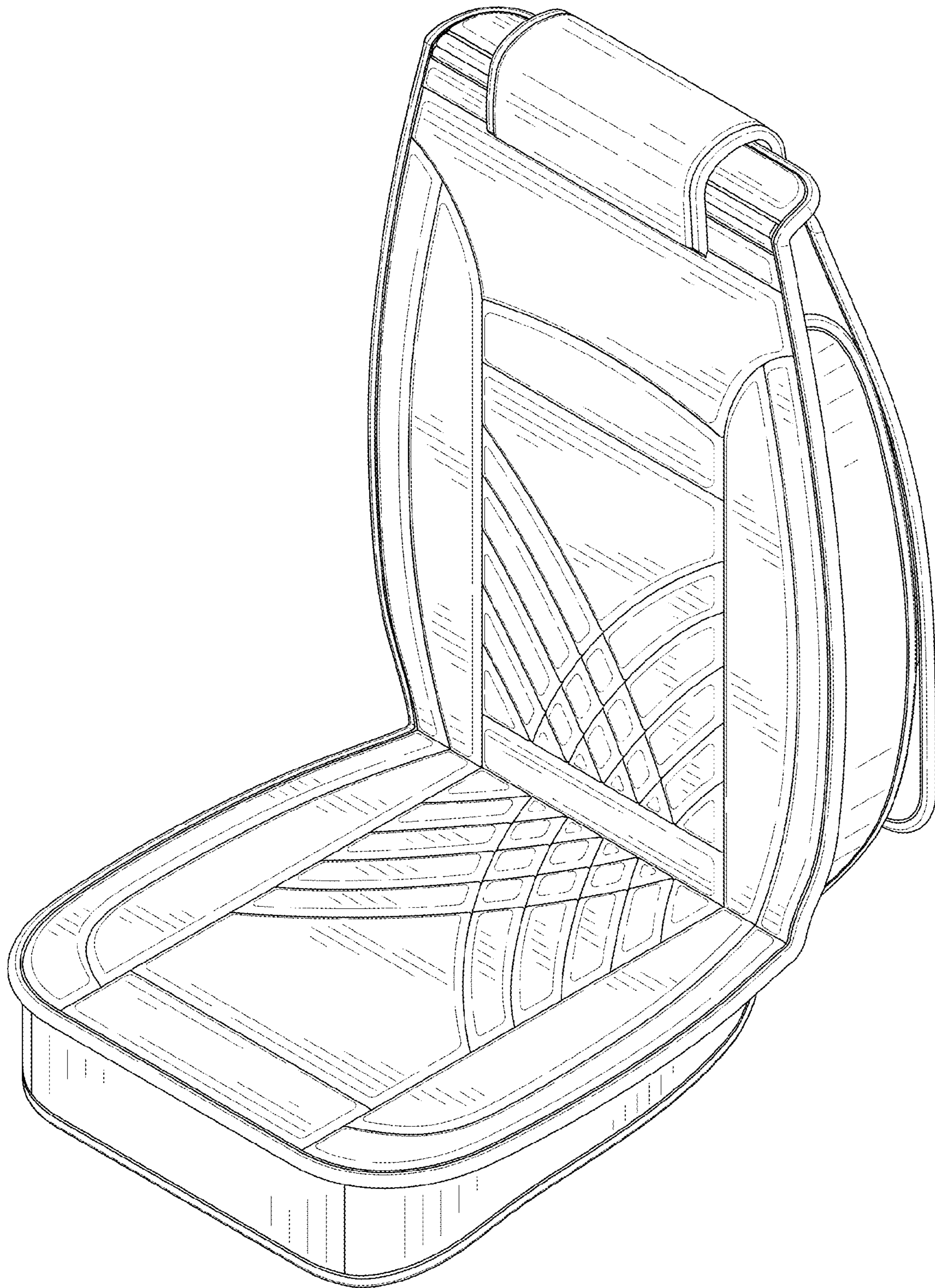


FIG. 9

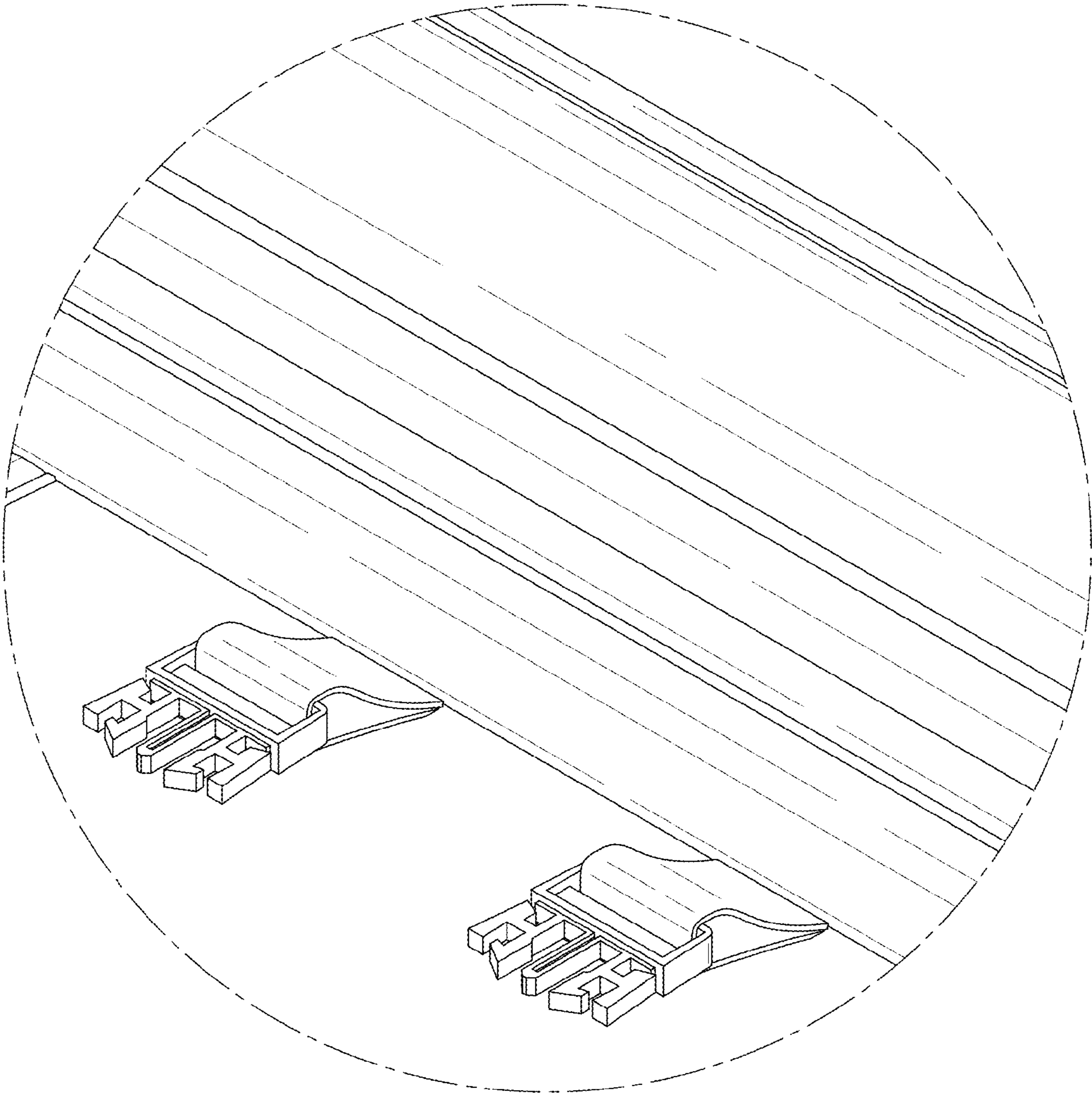


FIG. 10

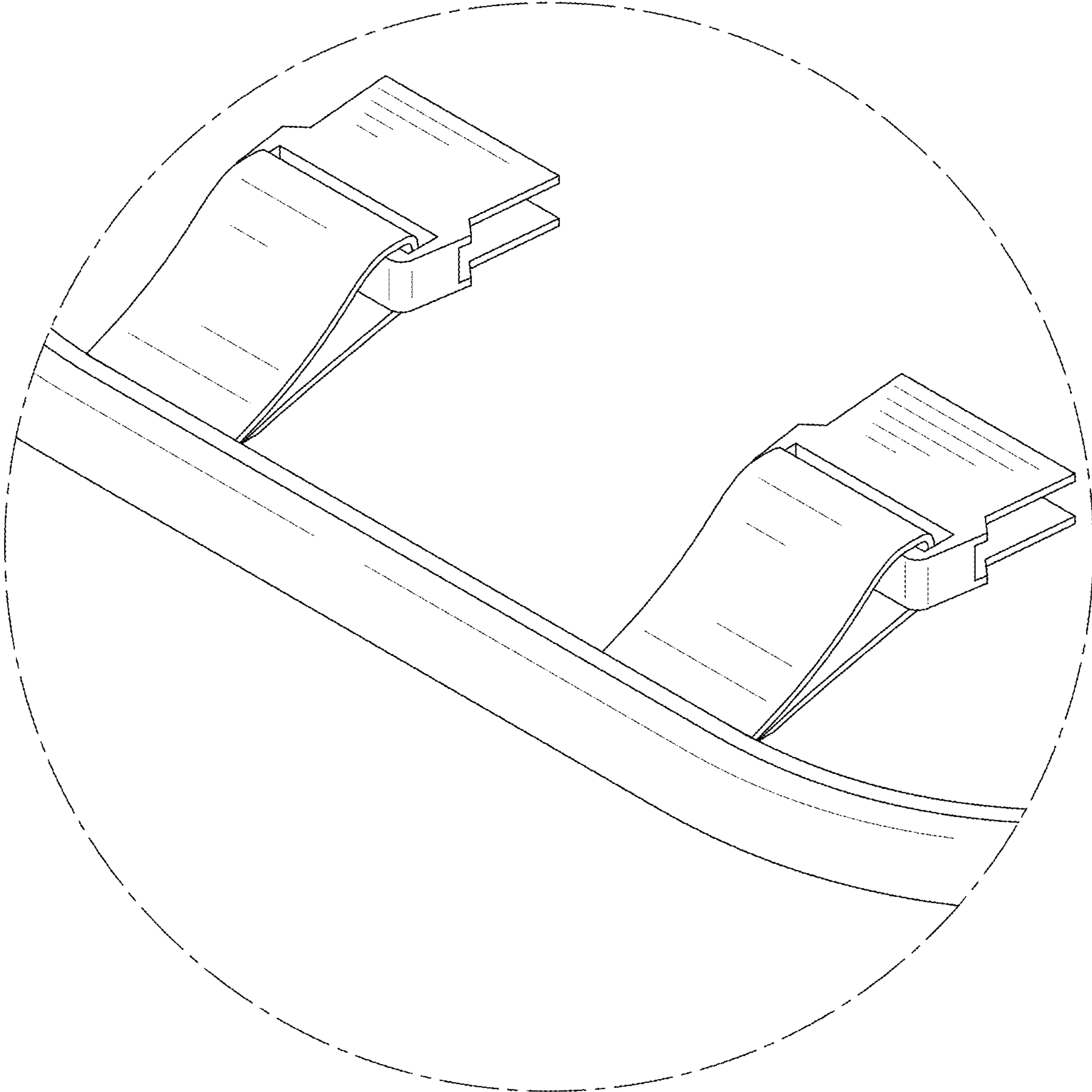


FIG. 11

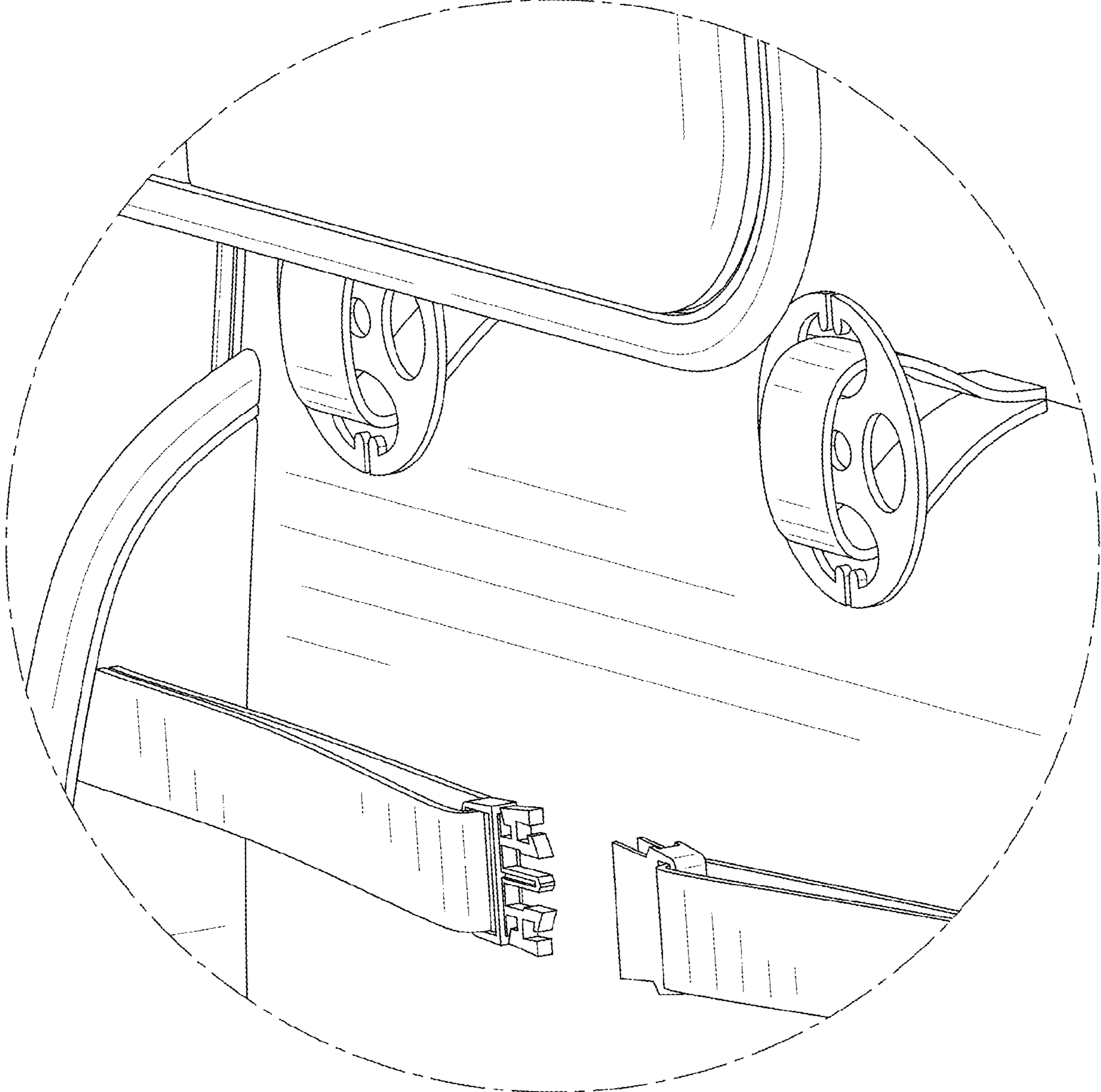


FIG. 12