



US00D935230S

(12) **United States Design Patent** (10) **Patent No.:** **US D935,230 S**
Zhang (45) **Date of Patent:** **** Nov. 9, 2021**

(54) **CAR SEAT CUSHION**
(71) Applicant: **Xiaojie Zhang**, Ningbo (CN)
(72) Inventor: **Xiaojie Zhang**, Ningbo (CN)
(**) Term: **15 Years**
(21) Appl. No.: **29/755,329**
(22) Filed: **Oct. 19, 2020**
(51) **LOC (13) Cl.** **06-09**
(52) **U.S. Cl.**
USPC **D6/601**
(58) **Field of Classification Search**
USPC D6/595, 596, 597, 600, 601, 603, 604,
D6/605, 606, 608; D24/183, 185, 234;
D21/803, 804, 805, 809
CPC A47G 2009/1018; A47G 2009/003; A47G
9/0253; A47G 9/10; A47G 9/1027; A47G
9/1036; A47G 9/1054; A47G 9/1063;
A47G 9/1072; A47G 9/1081; A47G
9/109; A45F 4/06; A47C 21/06; A47C
7/18; A47C 20/00; A47C 17/80; A47C
17/82; A47C 17/64; A47C 27/00; A47C
27/14; A47C 23/00
See application file for complete search history.

D516,327 S * 3/2006 Murphy D6/356
D684,387 S * 6/2013 Ashley D6/356
D723,820 S * 3/2015 Ashley D6/356
D724,332 S * 3/2015 Ashley D6/356
D724,333 S * 3/2015 Ashley D6/356
D724,334 S * 3/2015 Ashley D6/356

(Continued)

FOREIGN PATENT DOCUMENTS

CN 301638573 * 8/2011

OTHER PUBLICATIONS

Kingphenix Premium Seat Cover, earliest pictured review: Mar. 19, 2021 [online], [site visited Apr. 24, 2021]. Available from Internet, < URL:https://www.amazon.com/kingphenix-Premium-Car-Seat-Cover/dp/B08CY842V4/ref=cm_cr_arp_d_product_top?ie=UTF8> (Year: 2020).*

(Continued)

Primary Examiner — Sanjeev Paul

(57) **CLAIM**

The ornamental design for a car seat cushion, as shown and described.

DESCRIPTION

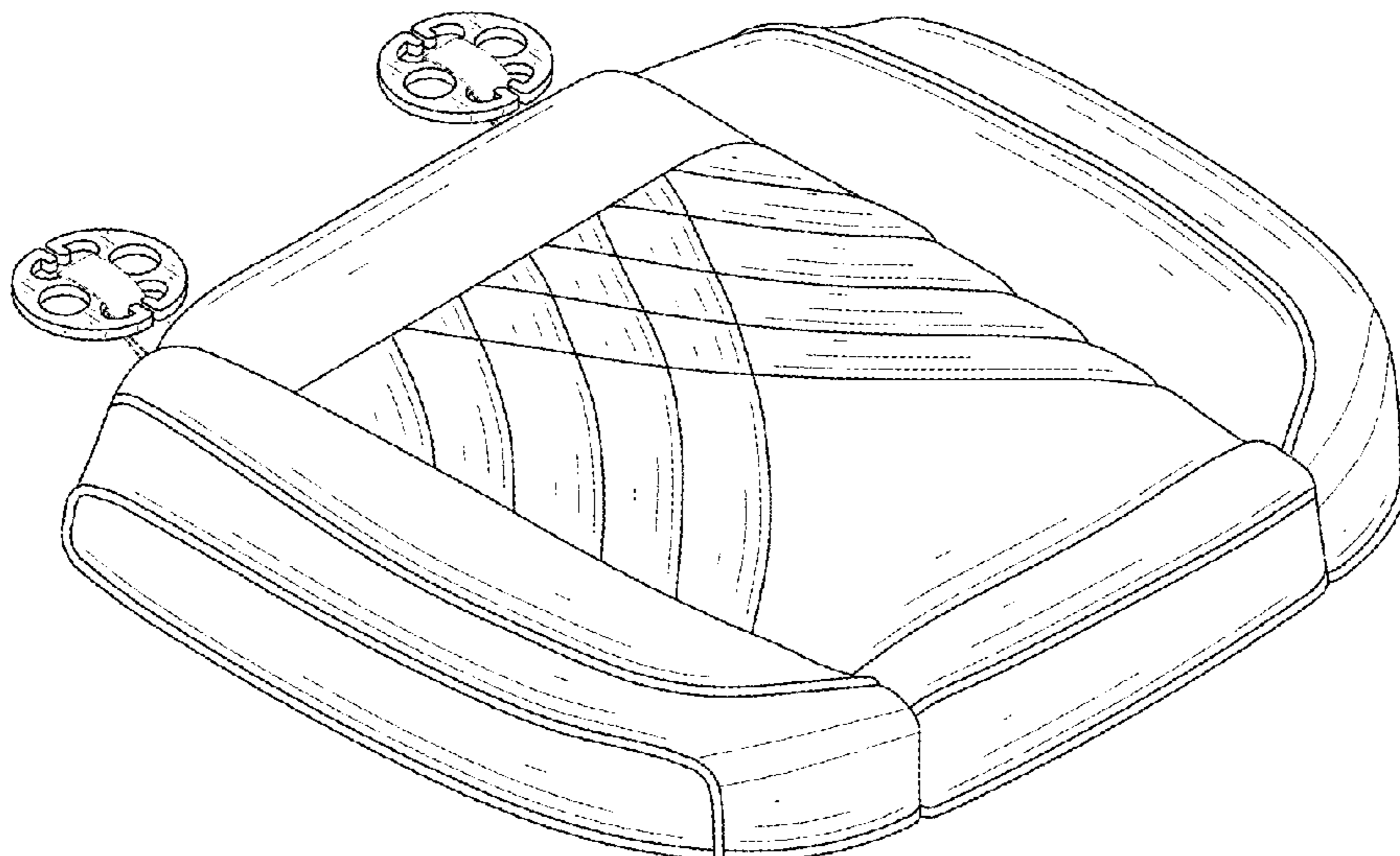
FIG. 1 is a first perspective view of a car seat cushion showing my new design;
FIG. 2 is a second perspective view thereof;
FIG. 3 is a front view thereof;
FIG. 4 is a back view thereof;
FIG. 5 is a left side view thereof;
FIG. 6 is a right side view thereof;
FIG. 7 is a top view thereof; and,
FIG. 8 is a bottom view thereof.
The broken line shown in the drawings depict portions of the car seat cushion in which the design is embodied that form no part of the claimed design.

1 Claim, 8 Drawing Sheets

(56) **References Cited**

U.S. PATENT DOCUMENTS

5,758,924 A * 6/1998 Vishey A47C 7/467
297/284.4
D399,694 S * 10/1998 Laidlaw D6/601
D440,107 S * 4/2001 Hsu D6/611
D440,451 S * 4/2001 Roberts D6/601
D440,452 S * 4/2001 Roberts D6/601
D440,453 S * 4/2001 Roberts D6/601
D440,454 S * 4/2001 Roberts D6/601
D440,808 S * 4/2001 Roberts D6/601
D451,719 S * 12/2001 Tseng D6/366
D463,173 S * 9/2002 Chi D6/366
D478,456 S * 8/2003 Yoon D6/611
D482,559 S * 11/2003 Yoon D6/611



(56)

References Cited

U.S. PATENT DOCUMENTS

D780,484 S * 3/2017 Goddard D6/601
D782,849 S * 4/2017 Goddard D6/601
D782,850 S * 4/2017 Goddard D6/601
D782,851 S * 4/2017 Goddard D6/601
D789,699 S * 6/2017 Kumagai D6/356
D790,256 S 6/2017 Goddard
D859,884 S * 9/2019 Goddard D6/601
D862,114 S * 10/2019 Goddard D6/601
D869,198 S * 12/2019 Dong D6/601
D873,583 S * 1/2020 Qin D6/601
D882,299 S * 4/2020 Benezri D6/611
D898,420 S * 10/2020 Tan D6/601
D908,390 S * 1/2021 Radtke D6/601
D909,081 S * 2/2021 Holland D6/356
2004/0075310 A1 * 4/2004 Wang B60N 2/60
297/184.11

OTHER PUBLICATIONS

Google search: "car seat covers" [site visited Apr. 24, 2021]:
https://www.google.com/search?q=car+seat+covers&sxsrf=ALeKk02xZpgY6hyDAoaQQ4dSYyzAE7Mg3w:1619239959462&source=Inms&tbm=isch&sa=X&ved=2ahUKEwjmtNvOipbwAhVtFlkFHQOnB3AQ_AUoAnoECAIQBA&biw=1200&bih=1777 (Year: 2021).*

* cited by examiner

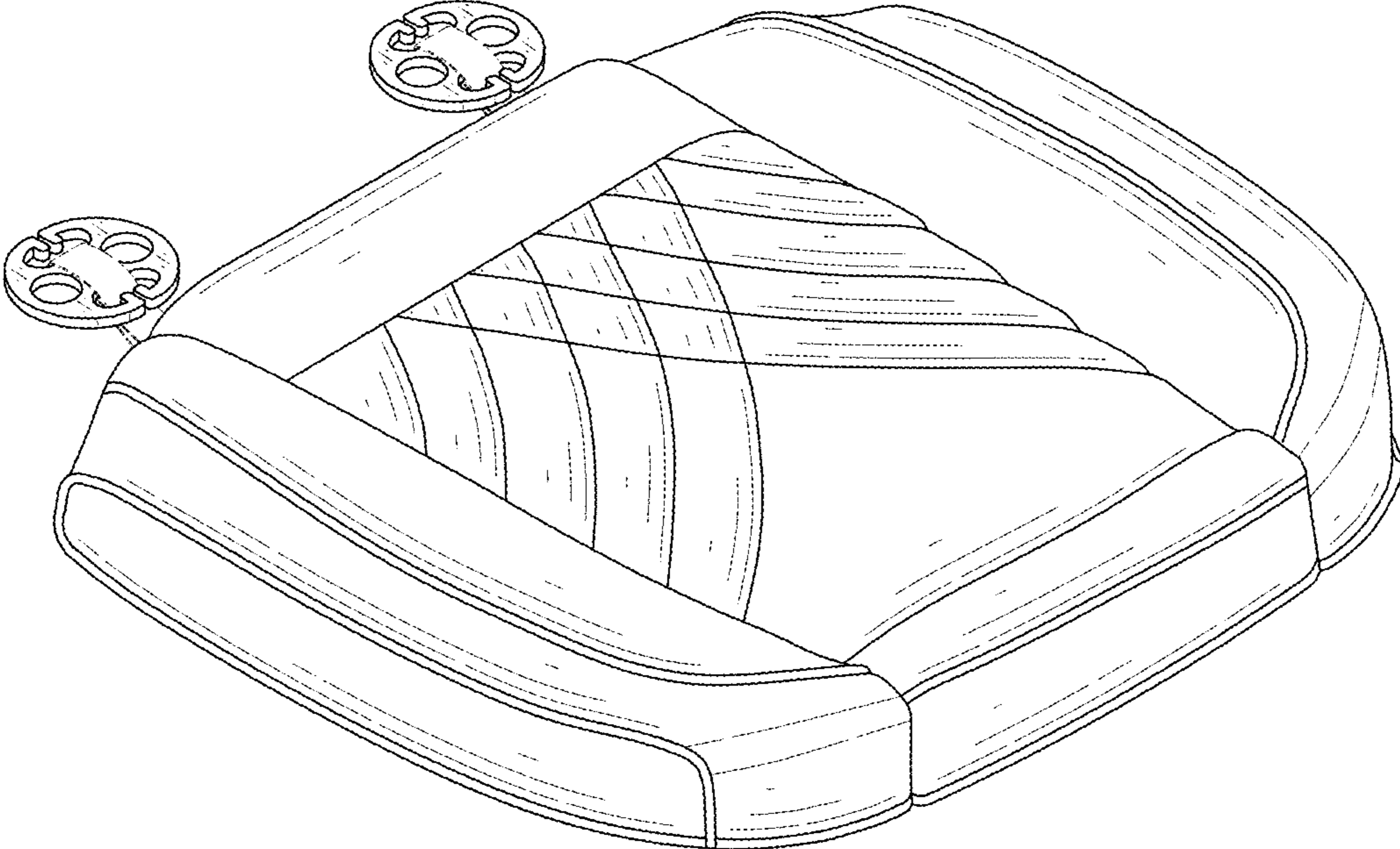


FIG. 1

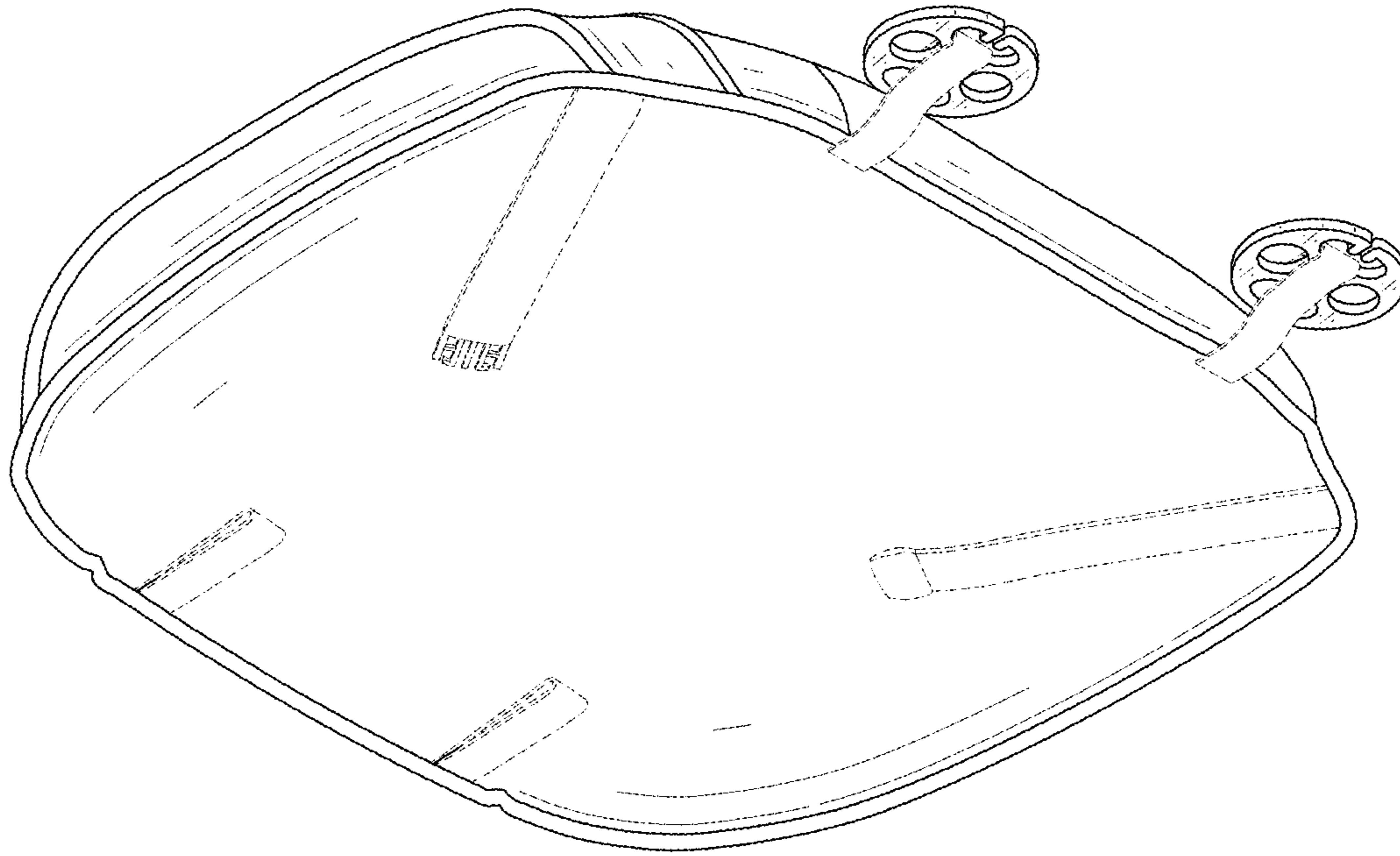


FIG. 2

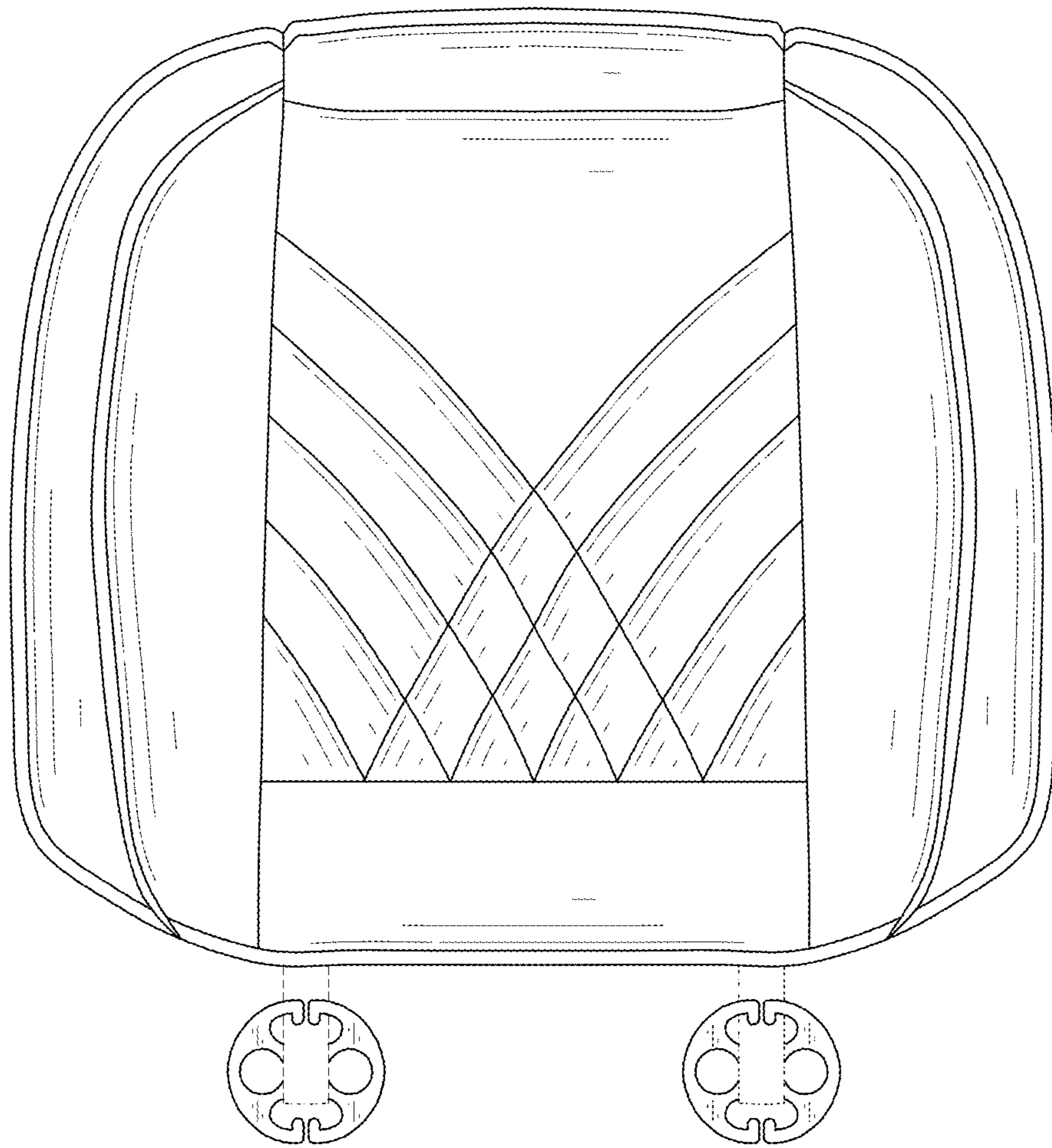


FIG. 3

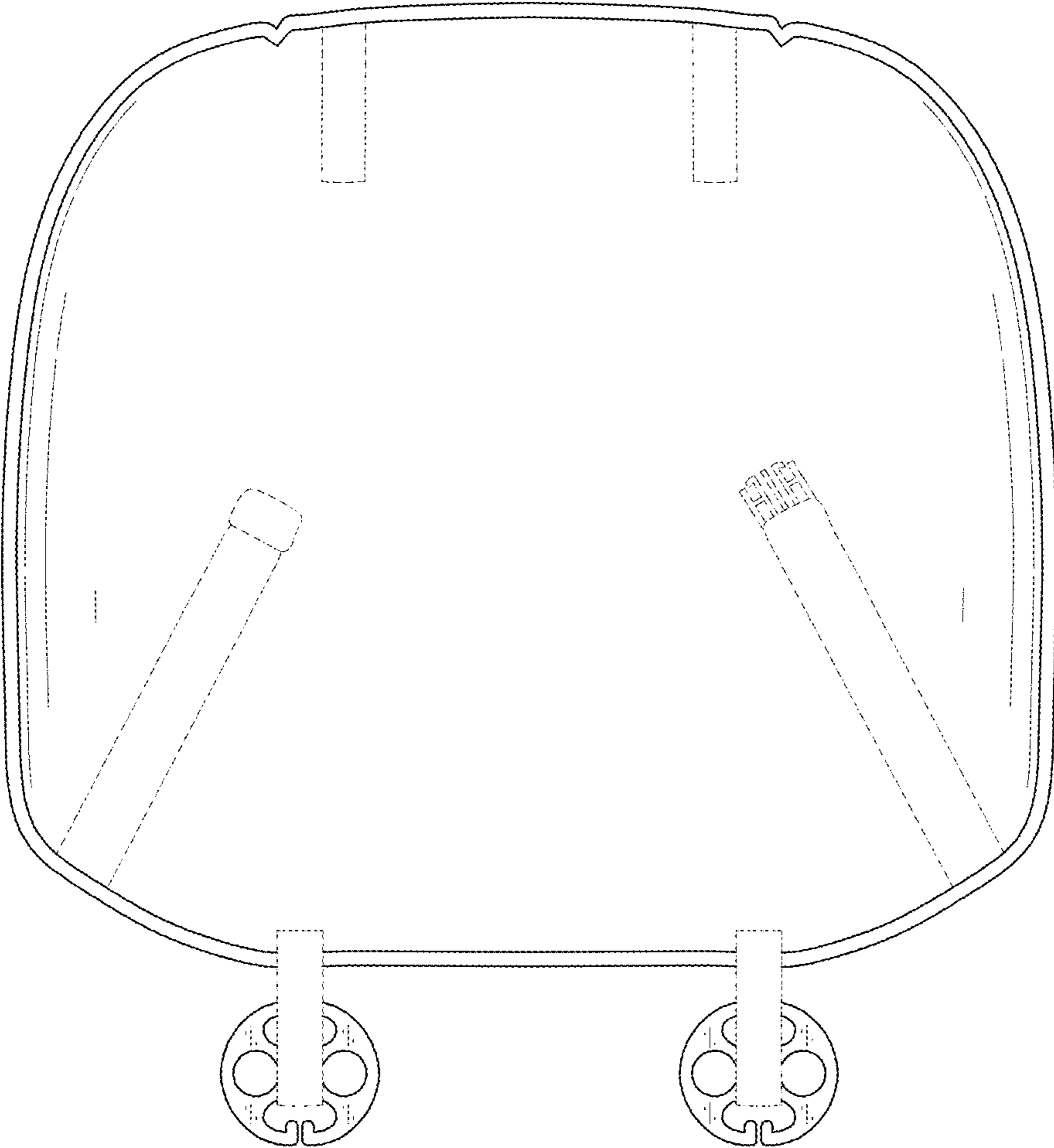


FIG. 4

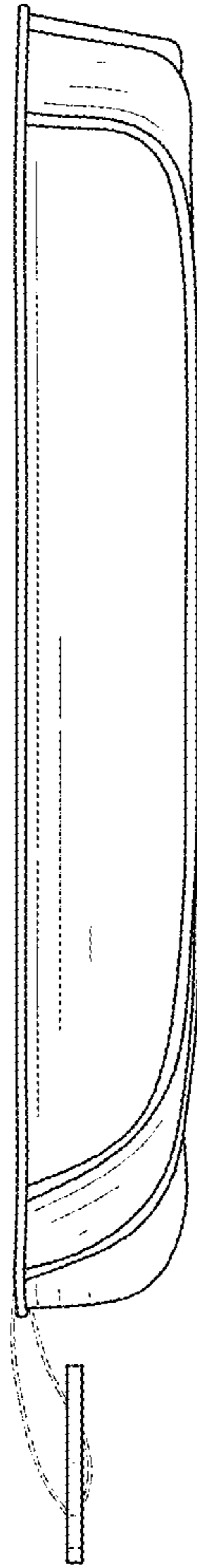


FIG. 5

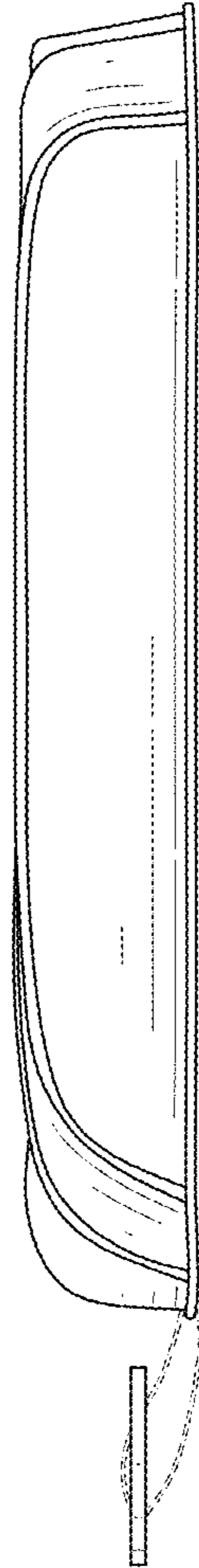


FIG. 6

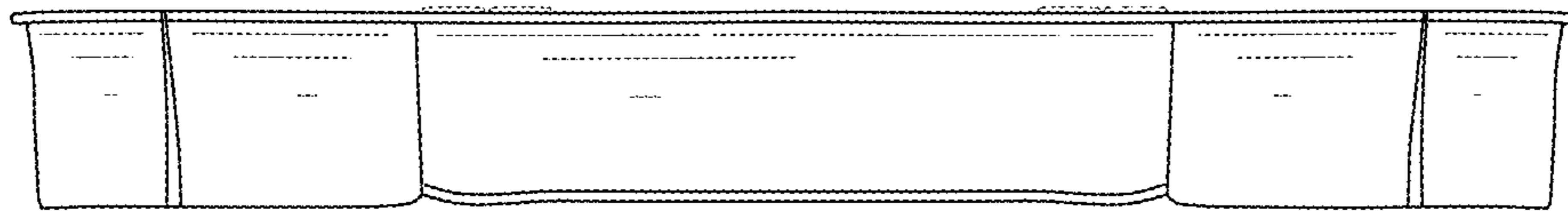


FIG. 7

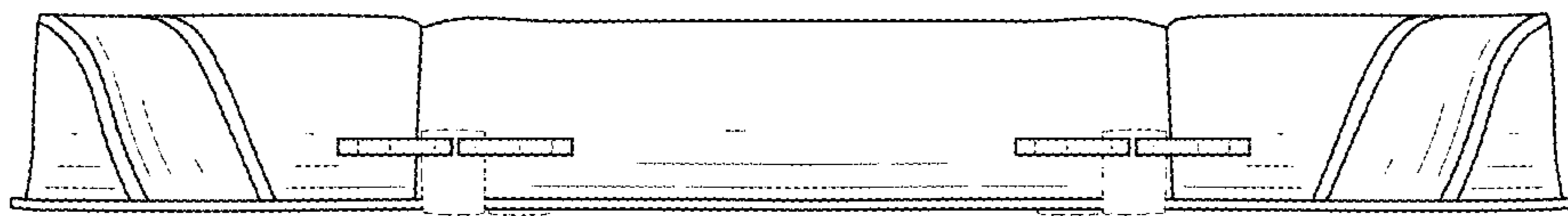


FIG. 8