



US00D935229S

(12) **United States Design Patent** (10) **Patent No.:** **US D935,229 S**
Uribe (45) **Date of Patent:** **** Nov. 9, 2021**

(54) **PILLOW**
(71) Applicant: **Marcela Uribe**, Ciudad de Panamá (PA)
(72) Inventor: **Marcela Uribe**, Ciudad de Panamá (PA)
(**) Term: **15 Years**
(21) Appl. No.: **29/741,982**
(22) Filed: **Jul. 17, 2020**
(51) **LOC (13) Cl.** **06-09**
(52) **U.S. Cl.**
USPC **D6/601**
(58) **Field of Classification Search**
USPC D6/582-583, 587-592, 595-609,
D6/617-622; D21/803-809; D24/183
CPC A47G 9/00; A47G 2009/001; A47G
2009/002; A47G 2009/003; A47G 9/10;
A47G 9/1009; A47G 2009/1018; A47G
9/1045; A47G 9/1081; A47G 9/109
See application file for complete search history.

(56) **References Cited**
U.S. PATENT DOCUMENTS
4,218,792 A * 8/1980 Kogan A47G 9/109
5/636
D497,507 S * 10/2004 Keilhauer D6/601
D752,900 S * 4/2016 Ueno D6/601
D869,196 S * 12/2019 Shin D6/601
D871,109 S * 12/2019 Haw D6/601

D875,434 S * 2/2020 Yang D6/601
D880,195 S * 4/2020 Yang D6/601
D908,393 S * 1/2021 Yang D6/601
D909,791 S * 2/2021 Wang D6/601
D912,437 S * 3/2021 Yang D6/601
D913,013 S * 3/2021 Rensin D6/601
2015/0265075 A1 * 9/2015 Liu A61F 5/56
5/640
2017/0156958 A1 * 6/2017 Roh A47G 9/1081
2018/0184822 A1 * 7/2018 Wang A47G 9/109
2019/0069698 A1 * 3/2019 Lin A47C 20/02

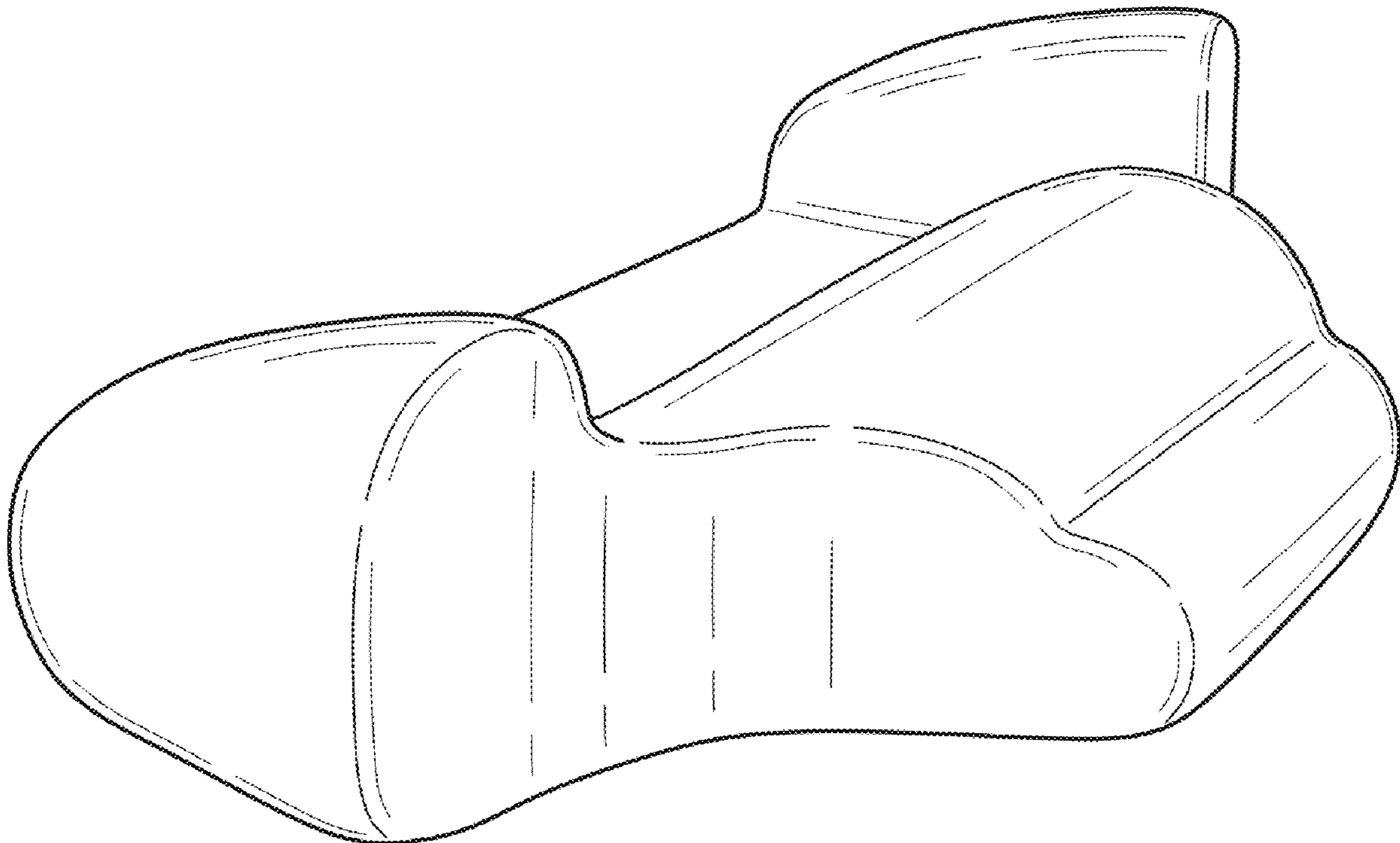
* cited by examiner

Primary Examiner — Jennifer L Rempfer
(74) *Attorney, Agent, or Firm* — Davidson, Davidson & Kappel, LLC

(57) **CLAIM**
The ornamental design for a pillow, as shown and described.

DESCRIPTION
FIG. 1 is a top perspective front view of a pillow of the present invention;
FIG. 2 is a first side view of a pillow of the present invention;
FIG. 3 is a second side view of a pillow of the present invention;
FIG. 4 is a front end view of a pillow of the present invention;
FIG. 5 is a back end view of a pillow of the present invention;
FIG. 6 is a top view of a pillow of the present invention; and,
FIG. 7 is a bottom view of a pillow of the present invention.

1 Claim, 7 Drawing Sheets



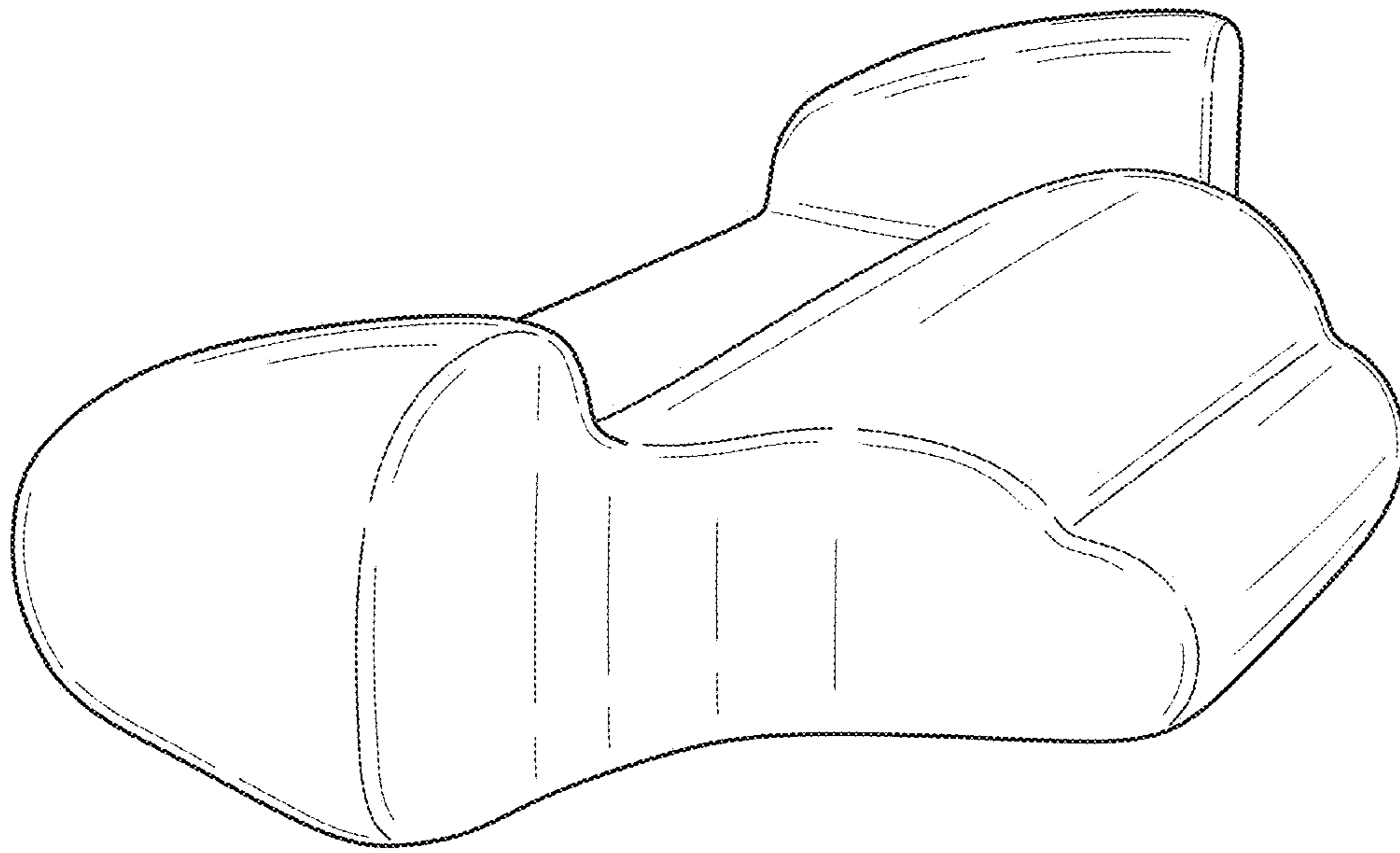


Fig. 1

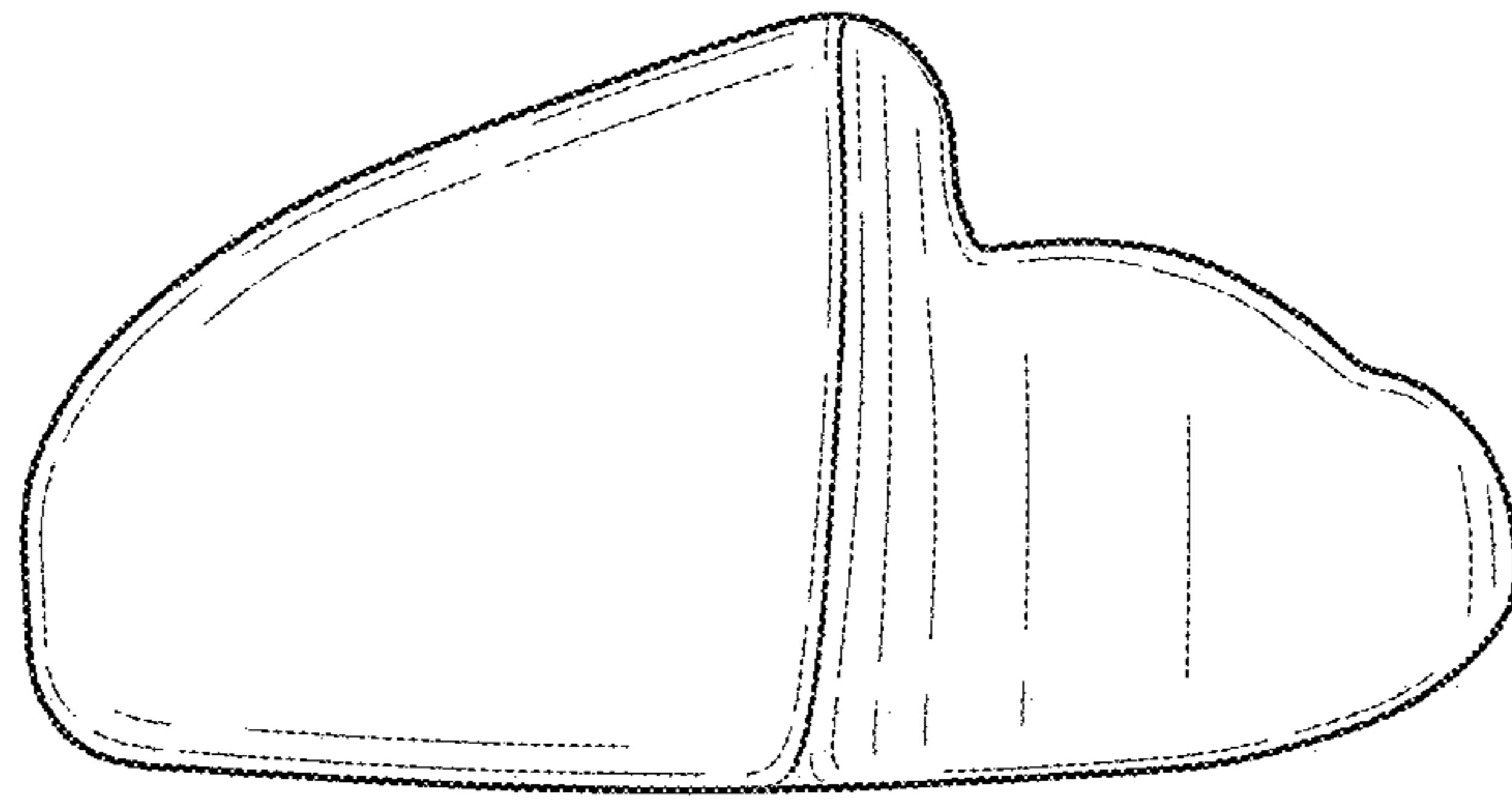


Fig. 2

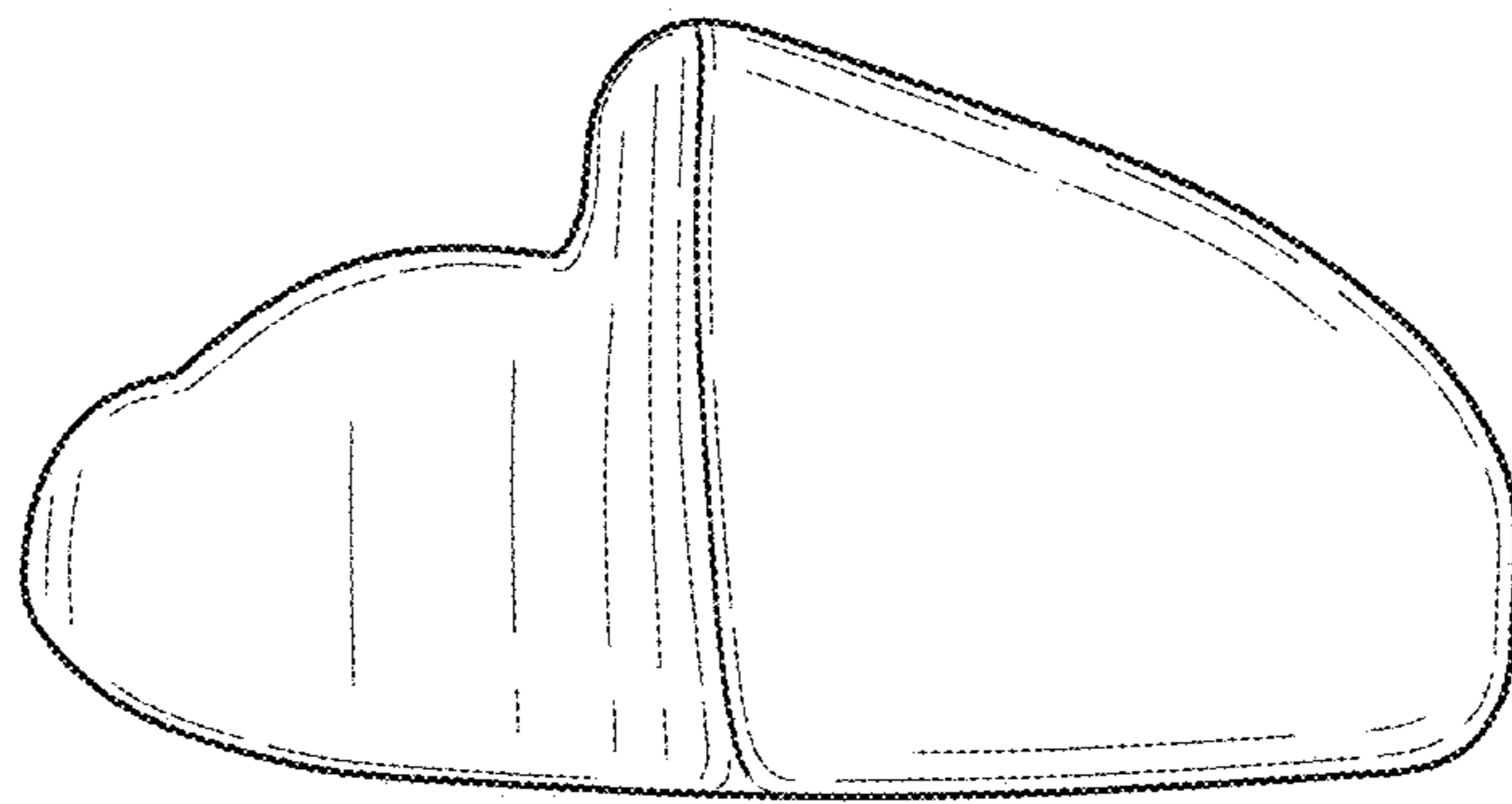


Fig. 3

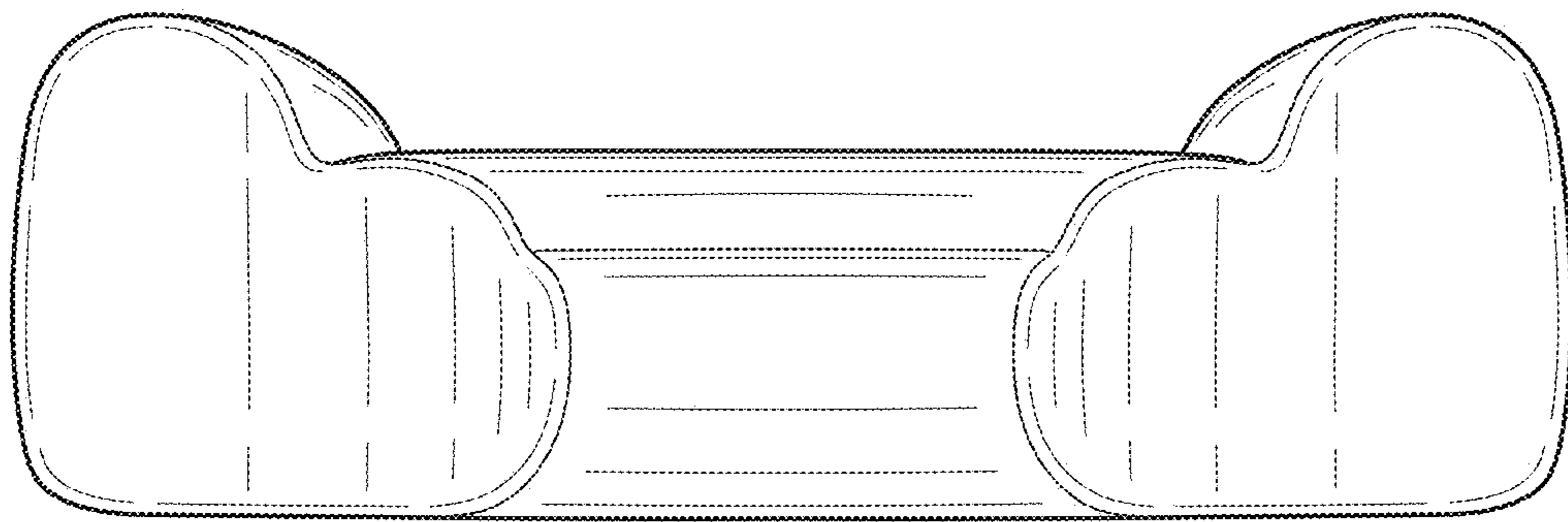


Fig. 4

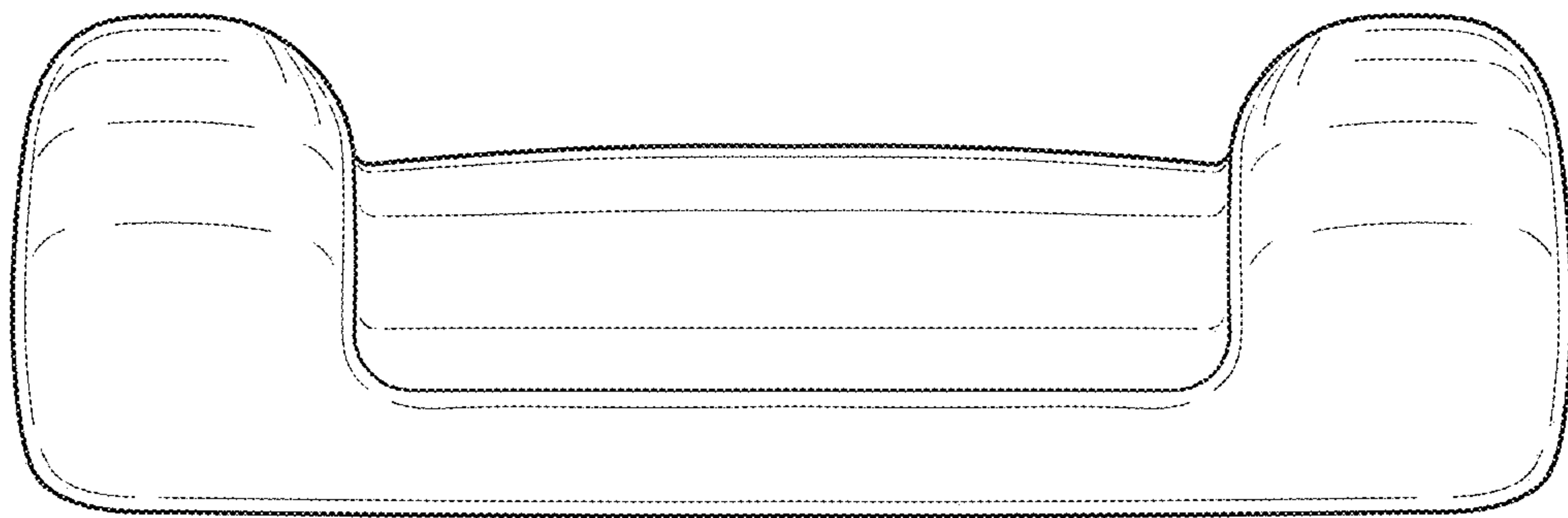


Fig. 5

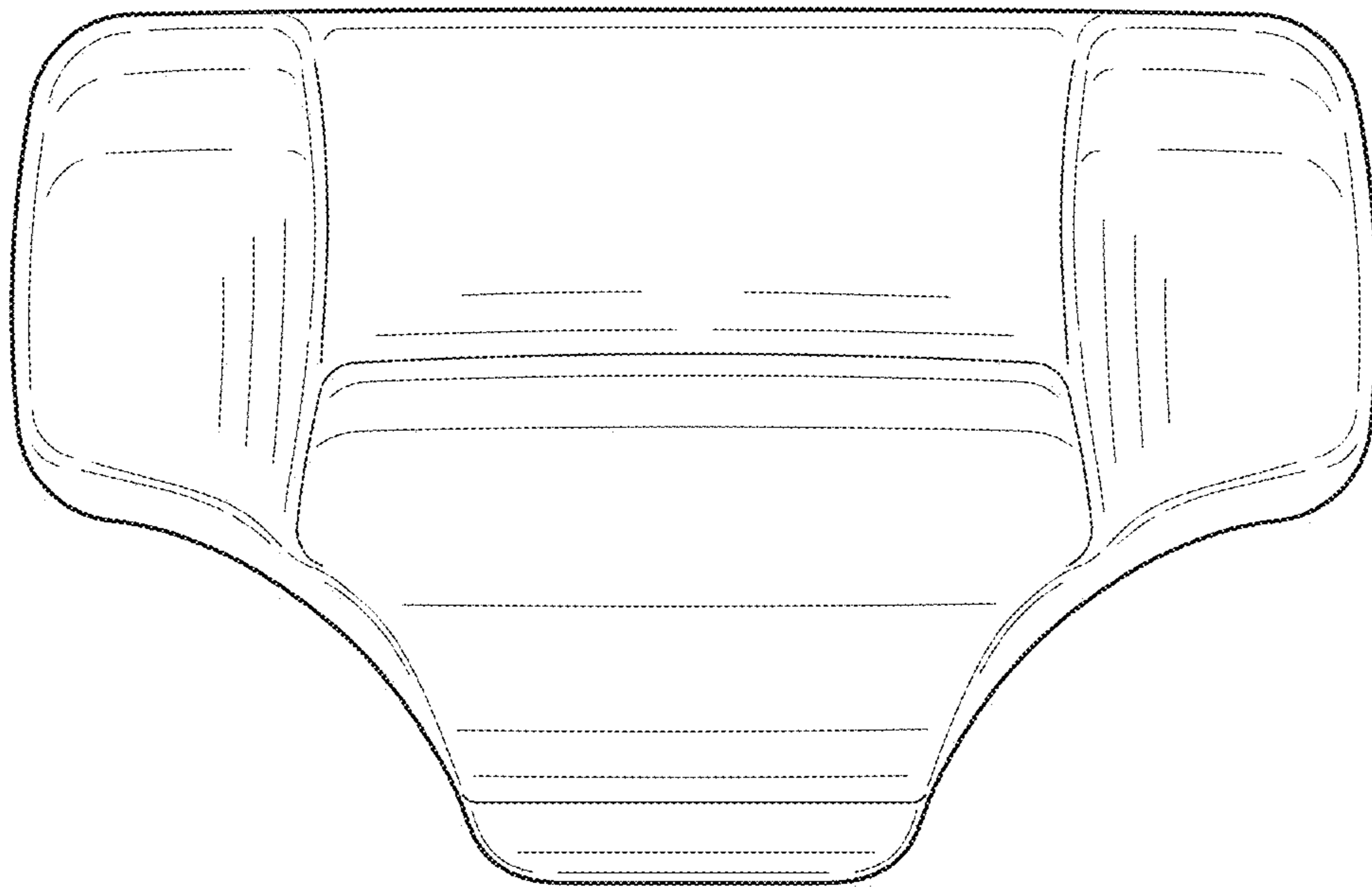


Fig. 6

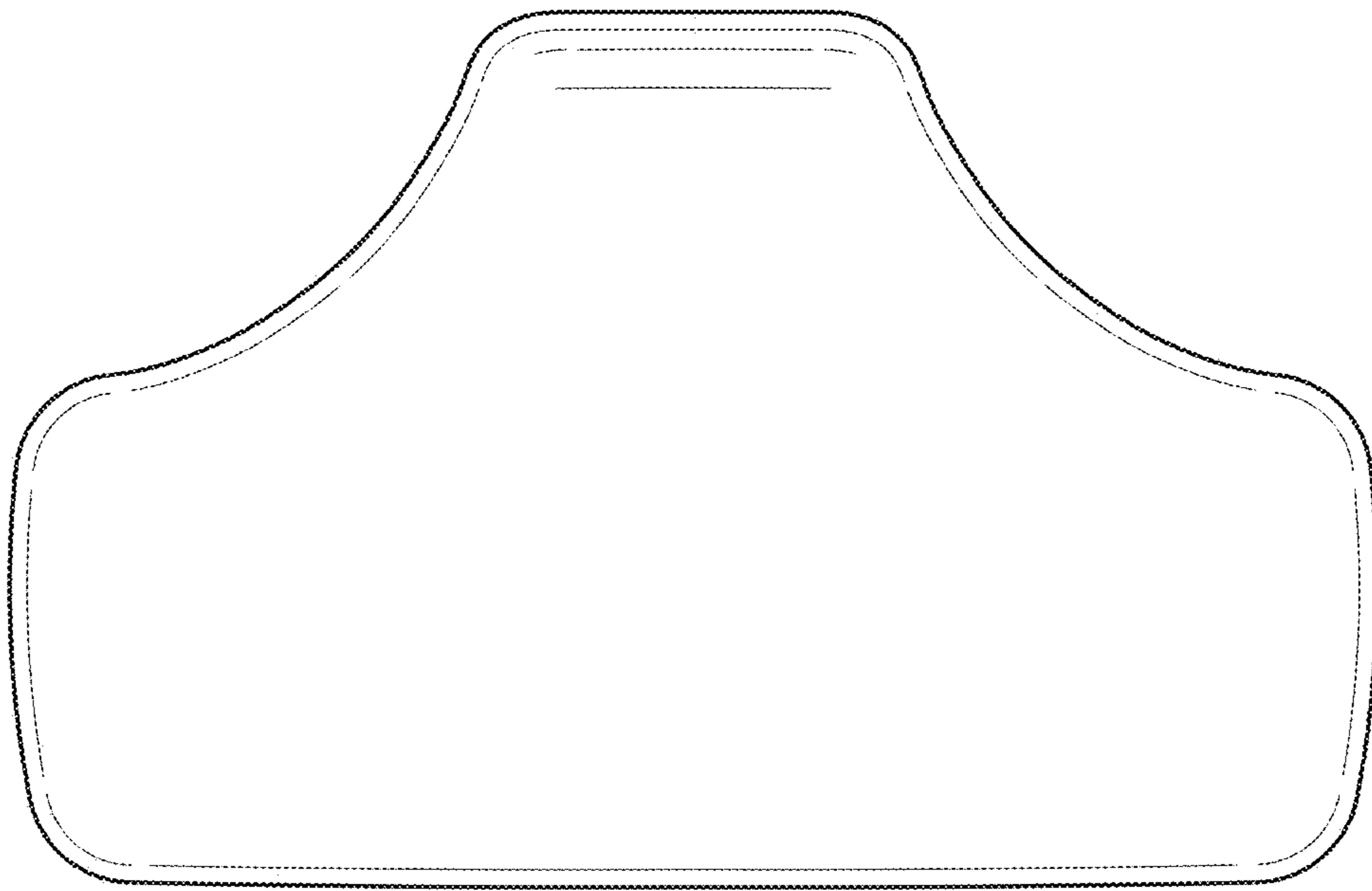


Fig. 7