



US00D935228S

(12) **United States Design Patent** (10) **Patent No.:** **US D935,228 S**
Wang (45) **Date of Patent:** **** Nov. 9, 2021**

(54) **NECK AND BACK PILLOW**
(71) Applicant: **Guogen Wang**, Shanghai (CN)
(72) Inventor: **Guogen Wang**, Shanghai (CN)
(**) Term: **15 Years**
(21) Appl. No.: **29/741,053**
(22) Filed: **Jul. 9, 2020**
(51) **LOC (13) Cl.** **06-09**
(52) **U.S. Cl.**
USPC **D6/601**
(58) **Field of Classification Search**
USPC D6/582-583, 587-592, 595-609,
D6/617-622; D21/803-809; D24/183
CPC A47G 9/00; A47G 2009/001; A47G
2009/002; A47G 2009/003; A47G 9/10;
A47G 9/1009; A47G 2009/1018; A47G
9/1045; A47G 9/1081; A47G 9/109
See application file for complete search history.

D523,680 S * 6/2006 Burke D6/601
D583,181 S * 12/2008 Denson-Willis D6/601
D639,081 S * 6/2011 Toll D6/354
D657,116 S * 4/2012 Tkaczuk D1/106
D777,493 S * 1/2017 McNown D6/716.1
D802,334 S * 11/2017 Chiarelli D6/601
D806,814 S * 1/2018 Robinson D21/803
D856,705 S * 8/2019 Tovar D6/601
D877,537 S * 3/2020 Sheehan D6/601
2007/0069557 A1* 3/2007 Toll B62J 1/007
297/202
2011/0277243 A1* 11/2011 Crompton A47C 20/026
5/632

* cited by examiner

Primary Examiner — Jennifer L Rempfer
(74) *Attorney, Agent, or Firm* — Law Offices of Steven
W, Weinrieb

(57) **CLAIM**

The ornamental design for a neck and back pillow, as shown
and described.

DESCRIPTION

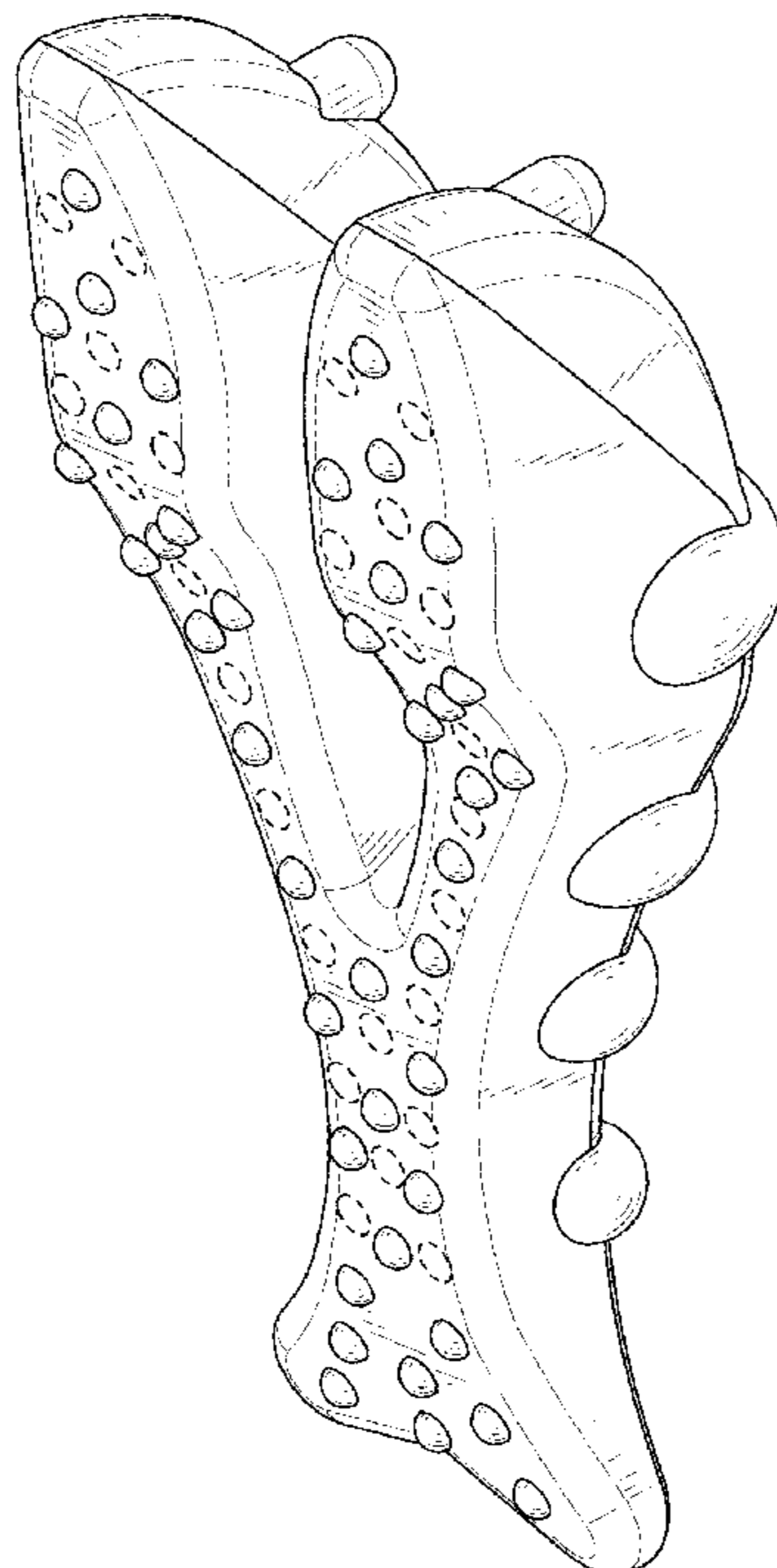
FIG. 1 is a front, right side, top perspective view of a neck
and back pillow showing my new design;
FIG. 2 is a rear, left side, bottom perspective view thereof;
FIG. 3 is a front elevational view thereof;
FIG. 4 is a rear elevational view thereof;
FIG. 5 is a left side elevational view thereof;
FIG. 6 is a right side elevational view thereof;
FIG. 7 is a top plan view thereof; and,
FIG. 8 is a bottom plan view thereof.
The broken lines and surfaces contained within show por-
tions of the design that form no part of the claim.

1 Claim, 8 Drawing Sheets

(56) **References Cited**

U.S. PATENT DOCUMENTS

D264,507 S * 5/1982 Haase D6/601
5,026,315 A * 6/1991 Chap A63H 3/02
446/369
D365,241 S * 12/1995 Braden D6/596
D408,677 S * 4/1999 Parnham D6/601
D420,845 S * 2/2000 Ramage D6/601
D434,936 S * 12/2000 May D6/601
6,412,127 B1 * 7/2002 Cuddy A47C 20/026
5/632
D485,111 S * 1/2004 Keilhauer D6/601
D489,426 S * 5/2004 Oakley D21/803
D523,275 S * 6/2006 Hawkins D6/601



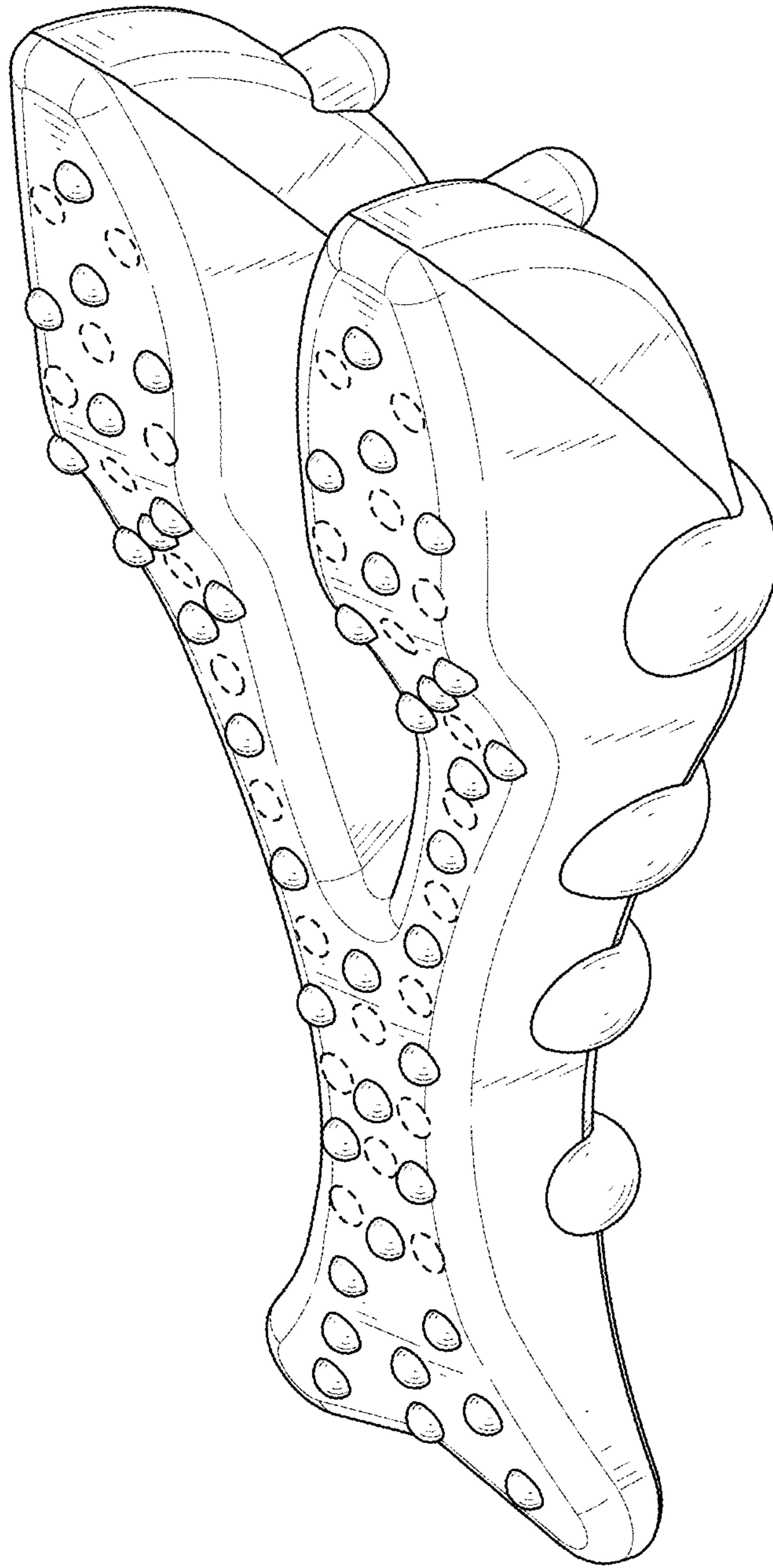


FIG. 1

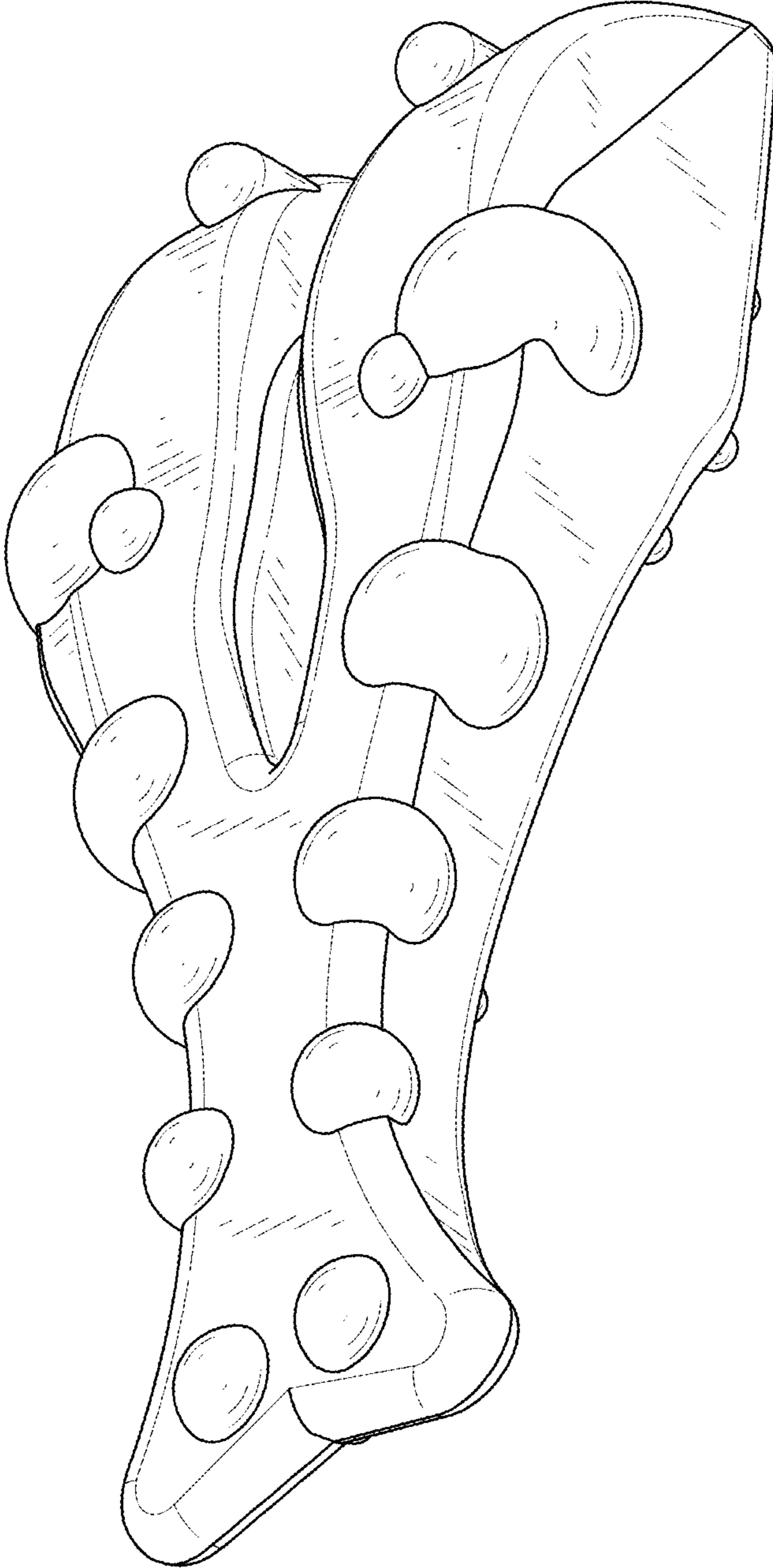


FIG. 2

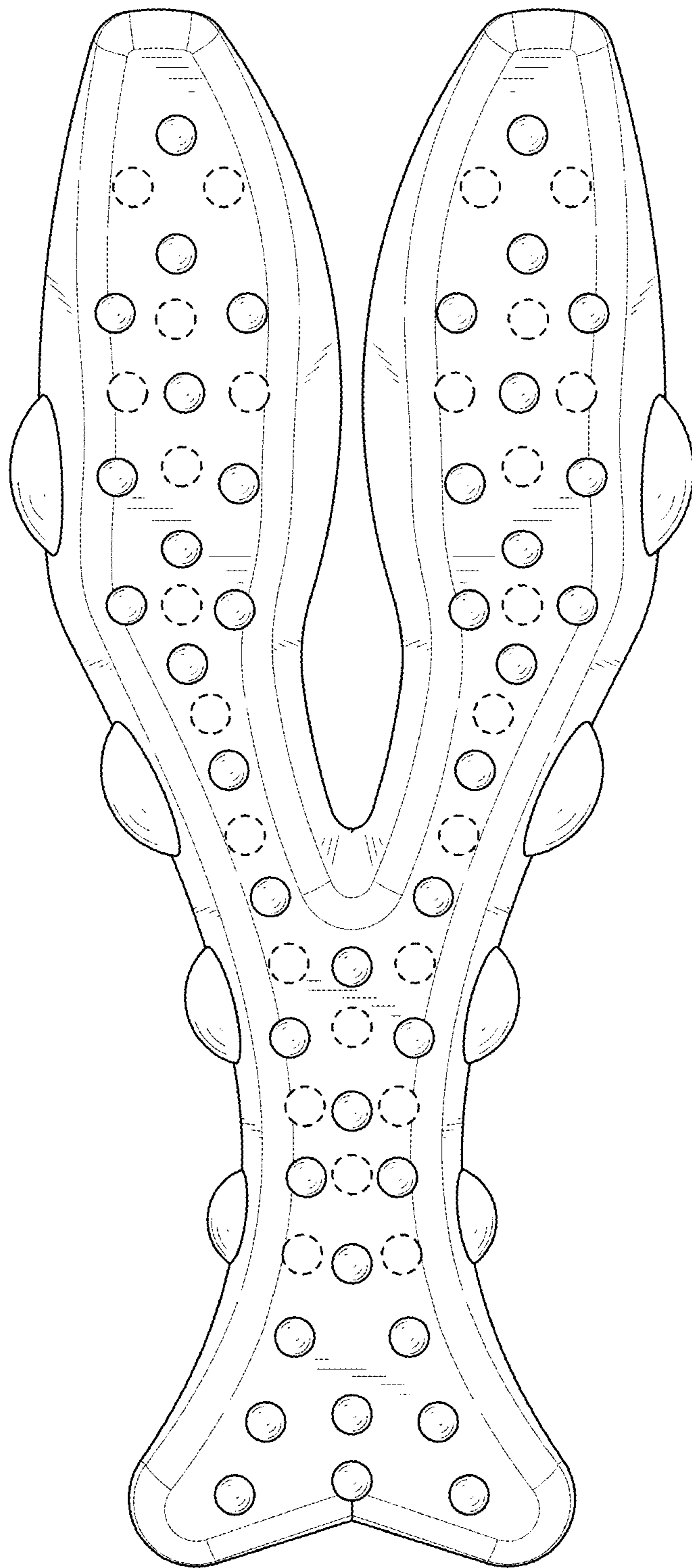


FIG. 3

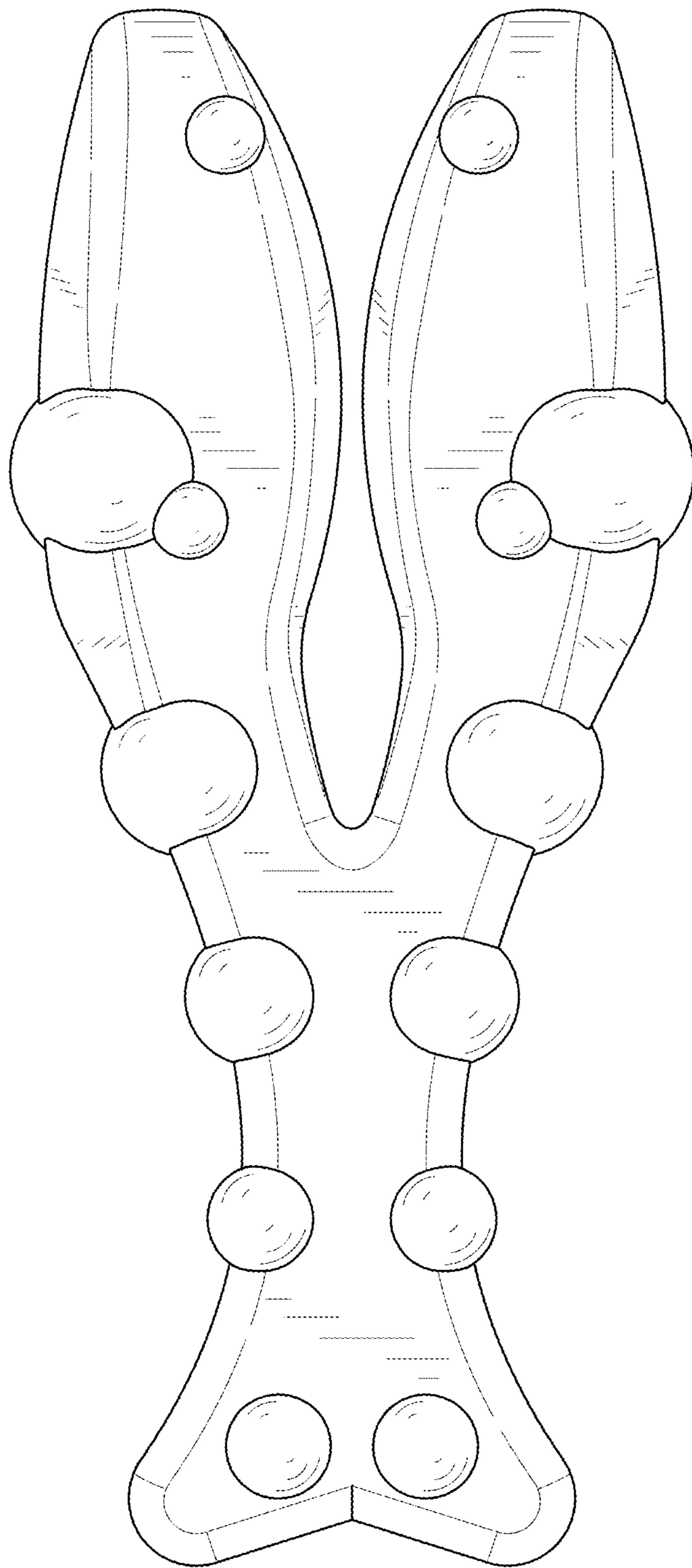


FIG. 4

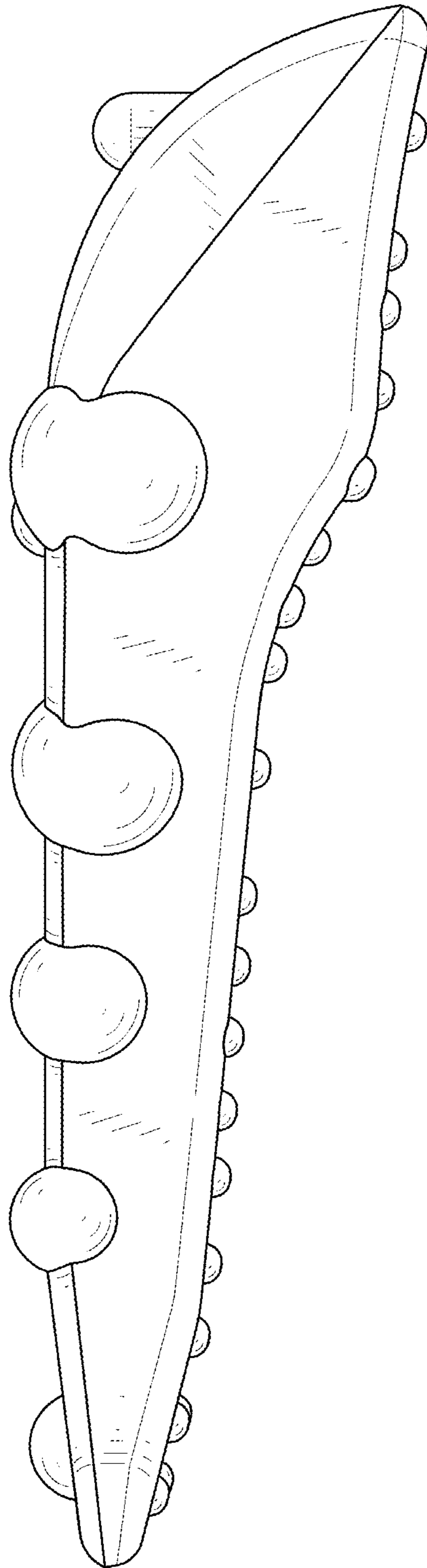


FIG. 5

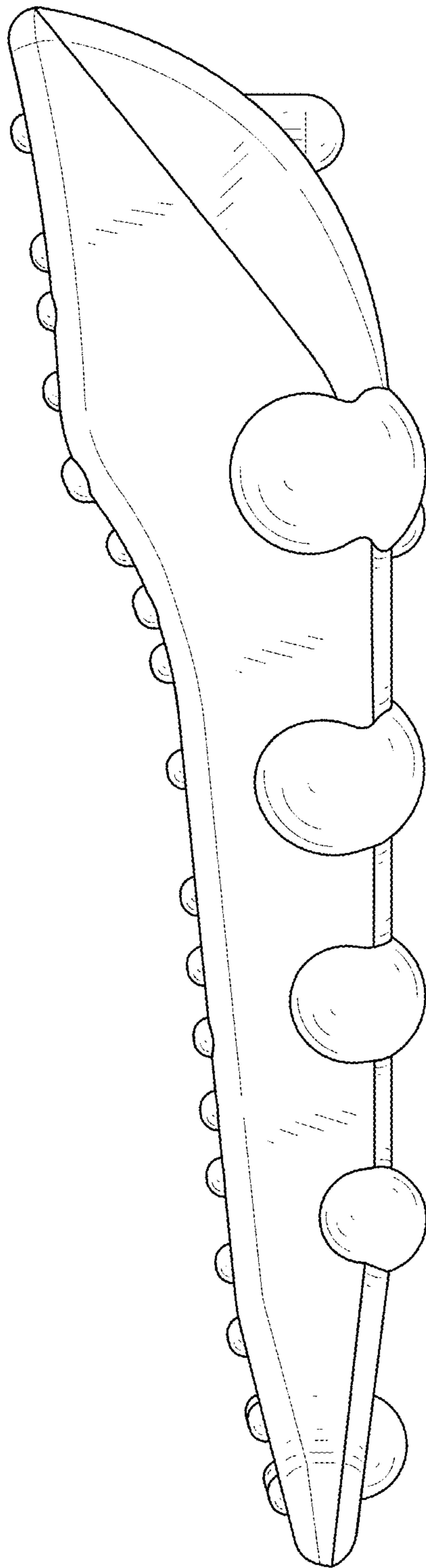


FIG. 6

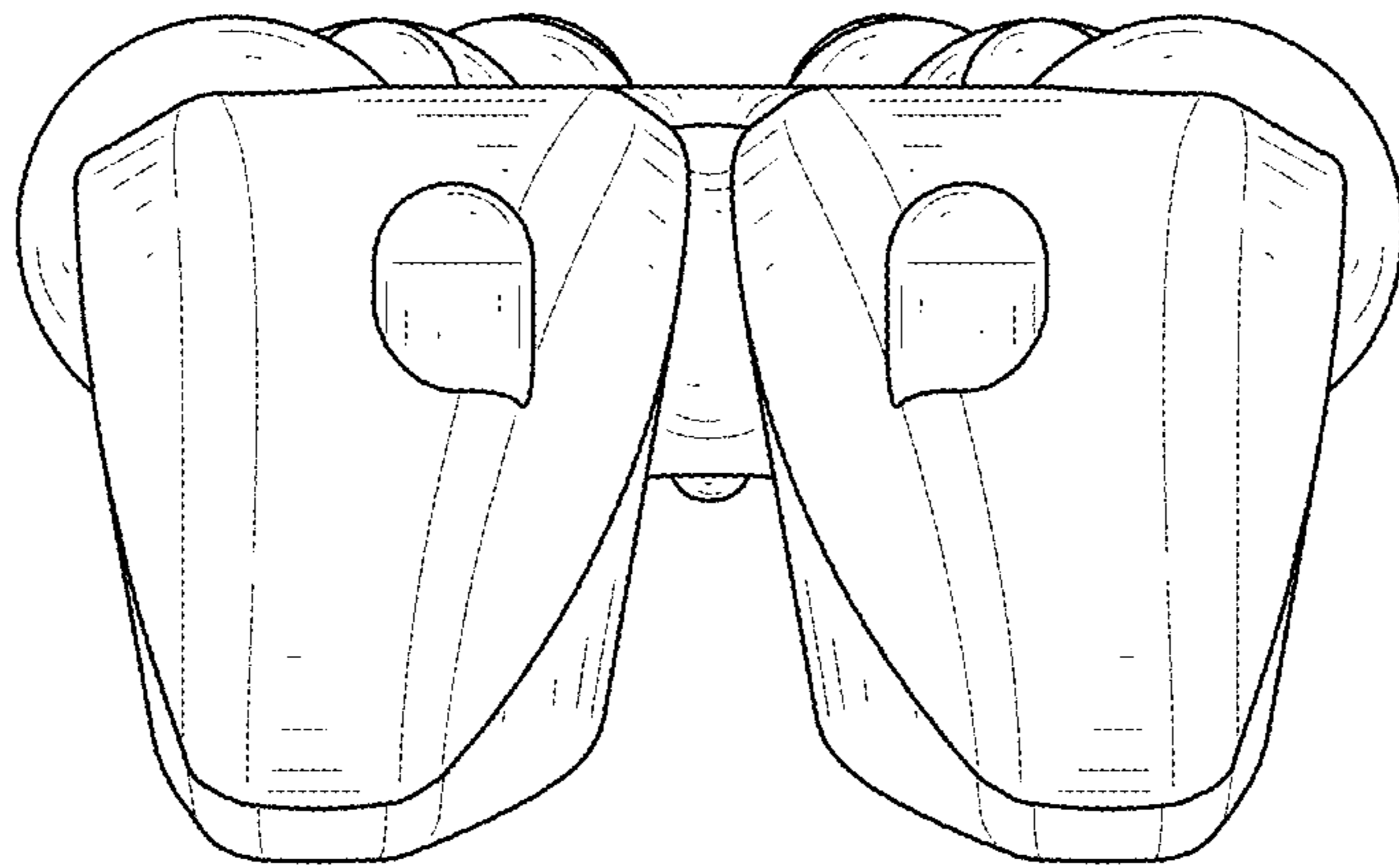


FIG. 7

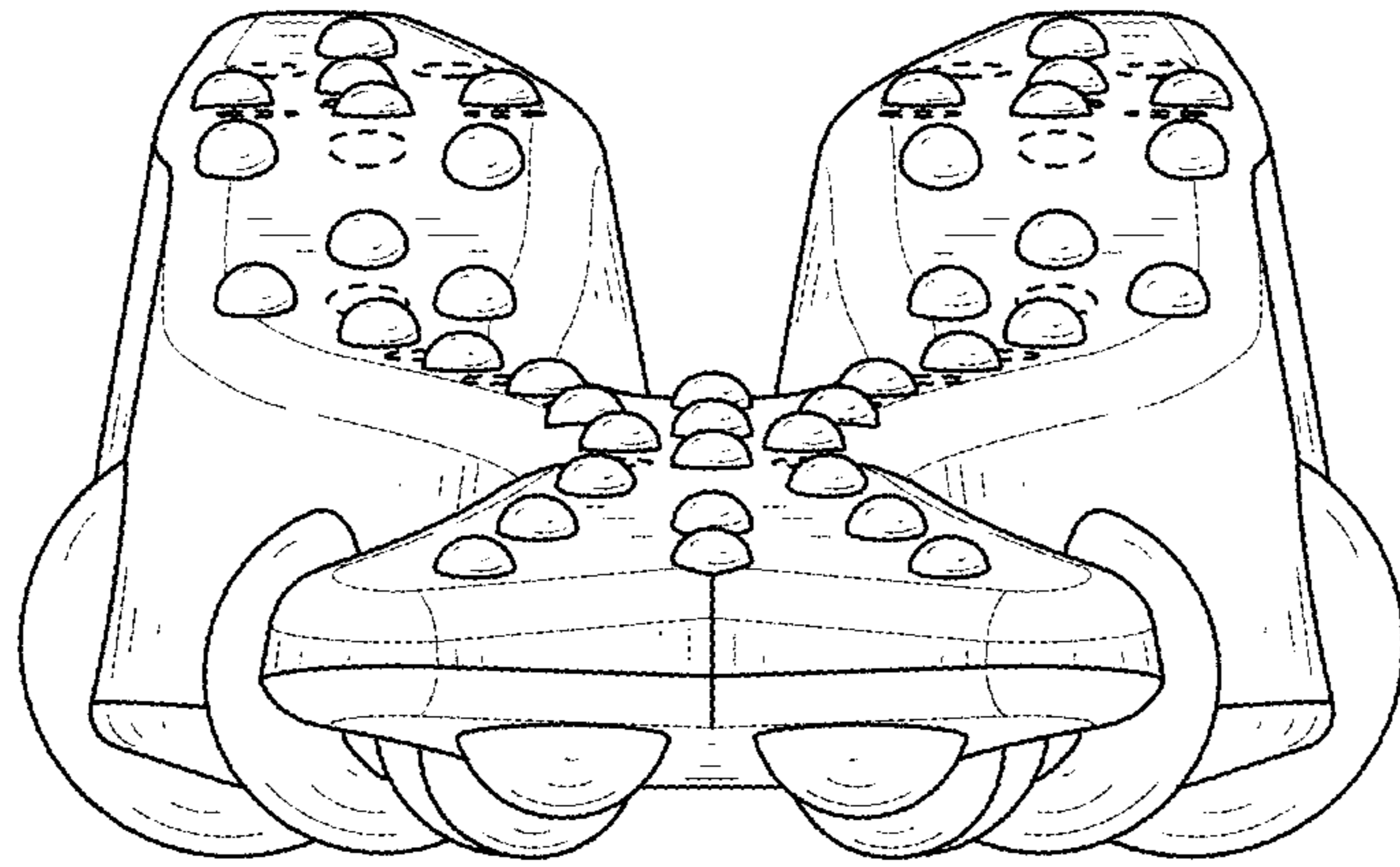


FIG. 8