



US00D935223S

(12) **United States Design Patent** (10) **Patent No.:** **US D935,223 S**
Pejic et al. (45) **Date of Patent:** **** Nov. 9, 2021**

(54) **WINDOW TREATMENT**

(71) Applicant: **Lutron Technology Company LLC**,
Coopersburg, PA (US)

(72) Inventors: **Vladislav Pejic**, Allentown, PA (US);
Jason C. Killo, Emmaus, PA (US)

(73) Assignee: **Lutron Technology Company LLC**,
Coopersburg, PA (US)

(**) Term: **15 Years**

(21) Appl. No.: **29/769,127**

(22) Filed: **Feb. 3, 2021**

Related U.S. Application Data

(63) Continuation of application No. 29/716,095, filed on
Dec. 6, 2019, now Pat. No. Des. 909,787, which is a
(Continued)

(51) **LOC (13) Cl.** **06-10**

(52) **U.S. Cl.**
USPC **D6/580**

(58) **Field of Classification Search**
USPC D6/575-577, 580-581; D13/155;
D26/138
(Continued)

(56) **References Cited**

U.S. PATENT DOCUMENTS

320,245 A 6/1885 Hamm
414,090 A 10/1889 Taylor
(Continued)

FOREIGN PATENT DOCUMENTS

BE 200900404 9/2011
DE G 89 14 725.1 8/1990
(Continued)

OTHER PUBLICATIONS

“Vintage Finds: Monopoly!” Constellation & Co. Jul. 19, 2011
<<https://www.constellationco.com/blog/blog/2011/07/vintage-finds-monopoly>> Accessed on Sep. 14, 2018.

(Continued)

Primary Examiner — Kevin K Rudzinski

Assistant Examiner — Clare Ann Gannon

(74) *Attorney, Agent, or Firm* — Saidman DesignLaw
Group, LLC

(57) **CLAIM**

The ornamental design for a window treatment, as shown
and described.

DESCRIPTION

FIG. 1 is a perspective view of a window treatment showing
our new design;

FIG. 2 is a front view thereof;

FIG. 3 is a rear view thereof;

FIG. 4 is a top view thereof;

FIG. 5 is a bottom view thereof;

FIG. 6 is a left side view thereof;

FIG. 7 is a right side view thereof;

FIG. 8 is a perspective view of a second embodiment
thereof;

FIG. 9 is a front view thereof;

FIG. 10 is a rear view thereof;

FIG. 11 is a top view thereof;

FIG. 12 is a bottom view thereof;

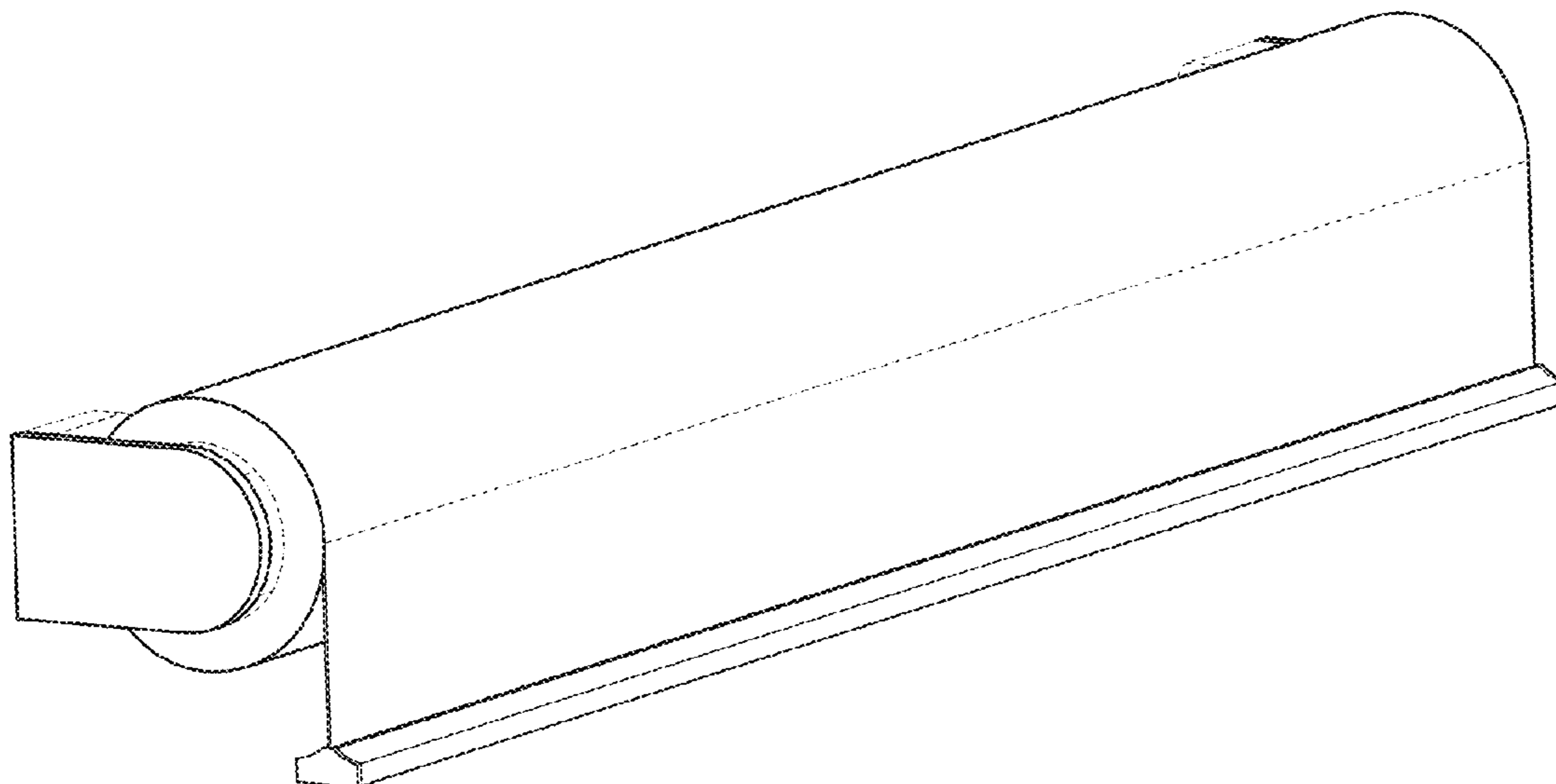
FIG. 13 is a left side view thereof; and,

FIG. 14 is a right side view thereof.

The broken lines illustrate portions of the window treatment
that form no part of the claimed design.

The break lines shown in FIGS. 8-12 symbolize breaks in
the length of the article in which the claimed design is
embodied. The appearance of any portion of the article
between the break lines forms no part of the claimed design.

1 Claim, 6 Drawing Sheets



Related U.S. Application Data

continuation of application No. 29/602,762, filed on May 3, 2017, now Pat. No. Des. 871,105.

(58) **Field of Classification Search**

CPC A47H 1/14; A47H 1/142; A47H 1/144; A47H 11/04; E06B 9/323; E06B 9/388; E06B 9/42; E06B 9/46; E06B 9/48

See application file for complete search history.

(56) **References Cited**

U.S. PATENT DOCUMENTS

846,089	A	3/1907	Cannon	
1,557,419	A	10/1925	Clarke	
1,757,017	A	5/1930	Matovitz	
1,989,240	A	1/1935	Magill	
2,031,698	A	2/1936	Fanzoi	
2,108,939	A	2/1938	Lewis	
D161,199	S	12/1950	Perelman	
2,560,836	A	7/1951	Zachlin	
D182,161	S	2/1958	Bulman	
3,524,491	A	8/1970	Olson	
3,545,154	A	12/1970	Bobzin et al.	
3,754,994	A	8/1973	Roach	
4,368,771	A	1/1983	Hopper	
4,771,966	A	9/1988	Anderson	
5,052,337	A	10/1991	Talcott et al.	
D322,211	S	12/1991	Gary	
D327,192	S	6/1992	Geuvjehizian	
D336,580	S	6/1993	White et al.	
D344,809	S	3/1994	Bancroft	
5,320,154	A	6/1994	Colson et al.	
D355,094	S	2/1995	Josephson	
5,410,454	A	4/1995	Murase et al.	
D371,928	S	7/1996	Evjy	
5,651,487	A	7/1997	Hansen	
D388,182	S	12/1997	Payton et al.	
D422,886	S	4/2000	Shea	
D467,670	S	12/2002	Krieger	
6,817,402	B1 *	11/2004	Fraczek	E06B 9/42 160/323.1
6,951,401	B2	10/2005	Van Hees et al.	
7,174,940	B2	2/2007	Nien	
7,207,371	B2	4/2007	Hsu	
D547,985	S	8/2007	Kubota	
7,267,311	B2	9/2007	Jung	
7,510,111	B2	3/2009	Mikkelsen et al.	
D622,993	S	9/2010	Park et al.	
7,849,907	B2	12/2010	Jang	
D632,118	S	2/2011	Clarke	
D634,573	S *	3/2011	Risher	D6/580
7,900,680	B2	3/2011	Garmyn et al.	
7,931,069	B2	4/2011	Cannaverde et al.	
D656,808	S	4/2012	Arvinte et al.	
D669,771	S	10/2012	Geiger	
8,307,879	B2	11/2012	Lin	
D694,039	S	11/2013	Licciardi Di Stefano	
D695,042	S	12/2013	Licciardi Di Stefano	
D697,335	S	1/2014	Dekker et al.	
D705,040	S	5/2014	Konrad et al.	
D706,112	S	6/2014	Kondratuk	
D712,727	S	9/2014	Geiger	
8,857,494	B2	10/2014	Kirby et al.	
8,931,540	B2	1/2015	Filko	
8,967,568	B2	3/2015	Wills et al.	
D731,876	S	6/2015	Di Stefano	
9,045,939	B2	6/2015	Blair et al.	
D733,536	S	7/2015	Di Stefano	
D733,537	S	7/2015	Di Stefano	
D740,108	S	10/2015	Di Stefano	
D741,697	S	10/2015	McGrath	
D746,669	S	1/2016	McBride	
9,237,821	B2	1/2016	Geiger	
D756,592	S	5/2016	Bucks et al.	
D758,827	S	6/2016	Grasselli et al.	

9,587,429	B2	3/2017	Cheng	
D791,581	S	7/2017	Lin	
D798,133	S	9/2017	Ng	
9,840,870	B2	12/2017	Lu et al.	
D817,660	S	5/2018	Raiti	
9,988,839	B2	6/2018	Geiger	
D822,473	S	7/2018	Ng	
10,309,461	B2	6/2019	Ng	
D871,105	S	12/2019	Pejic et al.	
D871,795	S	1/2020	Pejic	
D874,183	S	2/2020	Pejic	
D877,536	S	3/2020	Jones	
10,590,699	B2	3/2020	Chen	
D883,776	S	5/2020	Pejic	
D907,841	S *	1/2021	Dobin	D26/138
D909,787	S *	2/2021	Pejic	D6/580
D909,788	S *	2/2021	Pejic	D6/580
D911,743	S *	3/2021	Pejic	D6/580
D916,583	S *	4/2021	Pejic	E06B 9/42 D8/381
2004/0182521	A1	9/2004	Rossato et al.	
2006/0021715	A1 *	2/2006	Nien	E06B 9/50 160/121.1
2006/0118248	A1	6/2006	Anderson et al.	
2007/0163730	A1	7/2007	Liang	
2007/0175004	A1	8/2007	Chien	
2008/0053625	A1	3/2008	Anthony	
2009/0250177	A1	10/2009	Byeon	
2009/0283226	A1	11/2009	Cheng	
2010/0269983	A1	10/2010	Kirby	
2011/0049071	A1	3/2011	Hart et al.	
2011/0067820	A1	3/2011	Hsu et al.	
2011/0139382	A1	6/2011	Daniels	
2011/0186240	A1	8/2011	Lin	
2011/0186246	A1	8/2011	Lin	
2011/0259533	A1	10/2011	Lin	
2012/0043027	A1	2/2012	Chen	
2012/0043029	A1	2/2012	Gaskill et al.	
2012/0048262	A1	3/2012	Chang	
2012/0255686	A1	10/2012	Huang	
2013/0037646	A1	2/2013	Ohl et al.	
2013/0255894	A1	10/2013	Kim	
2014/0069595	A1	3/2014	Chen	
2014/0182793	A1	7/2014	Byun	
2014/0231032	A1	8/2014	Blair	
2014/0251558	A1	9/2014	Chou	
2014/0262068	A1	9/2014	Buccola, Jr. et al.	
2014/0374036	A1	12/2014	Chen	
2015/0047792	A1	2/2015	Lukosiunas et al.	
2015/0184454	A1	7/2015	Strand	
2016/0083999	A1	3/2016	Chen et al.	
2016/0130863	A1	5/2016	Cheng	
2016/0130869	A1	5/2016	Cheng	
2016/0348428	A1	12/2016	Cheng	
2017/0009524	A1	1/2017	Dwarka	
2017/0096855	A1	4/2017	Chen	
2017/0183908	A1	6/2017	Lu et al.	
2017/0284153	A1	10/2017	Reiner et al.	
2018/0023340	A1	1/2018	Goldberg et al.	
2018/0112460	A1	4/2018	Huang et al.	
2018/0112462	A1	4/2018	Chen et al.	
2018/0179812	A1	6/2018	Dubina et al.	
2018/0313146	A1	11/2018	Blair et al.	
2019/0017321	A1	1/2019	Chen	
2019/0100960	A1	4/2019	Chen	
2019/0345761	A1	11/2019	Hsu et al.	
2019/0345762	A1	11/2019	Cheng	
2019/0383094	A1	12/2019	Kwon	
2020/0071994	A1	3/2020	Lin	
2020/0080372	A1	3/2020	Hsu et al.	
2020/0370367	A1 *	11/2020	Jung	E06B 9/42

FOREIGN PATENT DOCUMENTS

(56)

References Cited

FOREIGN PATENT DOCUMENTS

EP	2 354 430 A2	8/2011
JP	2013-14931 A	1/2013

OTHER PUBLICATIONS

Bethlehem Steel Company Carbon Steel Bar Representative Sections Photographs. Page 13, row 16. Year: 1937.

Coulisse, Absolute Roller Blind 2.0 Brochure, Aug. 2015, 124 pages.

Lovable Products From Coolaroo for Shade Sails or Exterior Blinds or Umbrellas or Pet Beds Ideas, posted Jul. 27, 2017, [retrieved Mar. 27, 2018]. Retrieved from Internet, <URL: <http://www.marcharlessteakhouse.com/lovable-products-from-coolaroo-for-shade-sails-or-exterior-blinds-or-umbrellas-or-pet-beds-ideas/coolaroo-material-coolaroo-sun-shades-coolaroo/>>.

How to Remove Coolaroo Exterior Sun Shades, posted Aug. 30, 2013, [retrieved Mar. 27, 2018]. Retrieved from Internet, <URL: <https://www.youtube.com/watch?v=8GFJ2UY3fVI>>.

Roller Shade & Blackouts Installation, posted unknown, [retrieved Mar. 27, 2018], Retrieved from Internet, <URL: <http://www.theshadedesigners.com/how-to-install/installation-rollershadesblackouts/>>.

Coolaroo Exterior Sun Shade Idle End Unit, posted unknown, [retrieved Mar. 27, 2018], Retrieved from Internet, <URL: <https://wholesaleblindparts.com/products/copy-of-coolaroo-exterior-sun-shade-cordless-crank-kit>>.

Coolaroo, Exterior Roller Sun Shade Installation Instructions, Apr. 2012, 12 pages.

Coolaroo, Cordless Sun Shade Installation Instructions, Jun. 2013, 12 pages.

Somfy Systems, Inc., Motor Catalog, Dec. 2003 (78 pages).

Lutron Electronics Co., Inc., Sivoia QS Roller 64 Shades Specification Submittal, 2007 (16 pages).

Lutron Electronics Co., Inc., Sivoia QED Roller 20 Shades Product Specification, 2008 (14 pages).

The Shade Store Blog, "Go for the Gold, Silver, or Bronze Window Treatment Hardware", posted Aug. 1, 2012 [retrieved Aug. 21, 2019]. Retrieved from Internet, <URL: <https://www.theshadestore.com/blog/go-for-the-gold-silver-or-bronze-window-treatment-hardware/>>.

The Shade Store Blog, "How to Hang Roller Shades: Regular or Reverse Roll", posted Sep. 19, 2016 [retrieved Aug. 21, 2019]. Retrieved from Internet, <URL: <https://www.theshadestore.com/blog/how-to-hang-roller-shades/>>.

Geigtech East Bay LLC v. Lutron Electronics Co., Inc., U.S. District Court for the Southern District of New York, Complaint (including Exhibits A & B), Case No. 1:18-cv-05290-CM, filed Jun. 12, 2018, 97 pages.

Spectrum White Plastic Wall Mount Folding Paper Towel Holder, Amazon.com. Oct. 2, 2001. Accessed on Jun. 16, 2019. (Year: 2001). Retrieved from Internet, <URL: <https://www.amazon.com/Spectrum-White-Plastic-Folding-Holder/dp/B001DXG21E>>.

Aura Shading by Tillys Interiors Ltd. Accessed on Jun. 16, 2019. (Year: 2019). Retrieved from Internet, <URL: <https://www.aurashading.com/finesse-roller-blinds>>.

Ambio Roller Shades by Altex Window Fashions. Accessed on Jun. 14, 2019. (Year: 2019). Retrieved from Internet, <URL: <http://altexdepot.com/products/ambio-roller-shades/>>.

U.S. Appl. No. 29/602,208, filed Apr. 28, 2017 (unpublished).

U.S. Appl. No. 29/746,561, filed Aug. 14, 2020 (unpublished).

U.S. Appl. No. 29/749,421, filed Sep. 4, 2020 (unpublished).

* cited by examiner

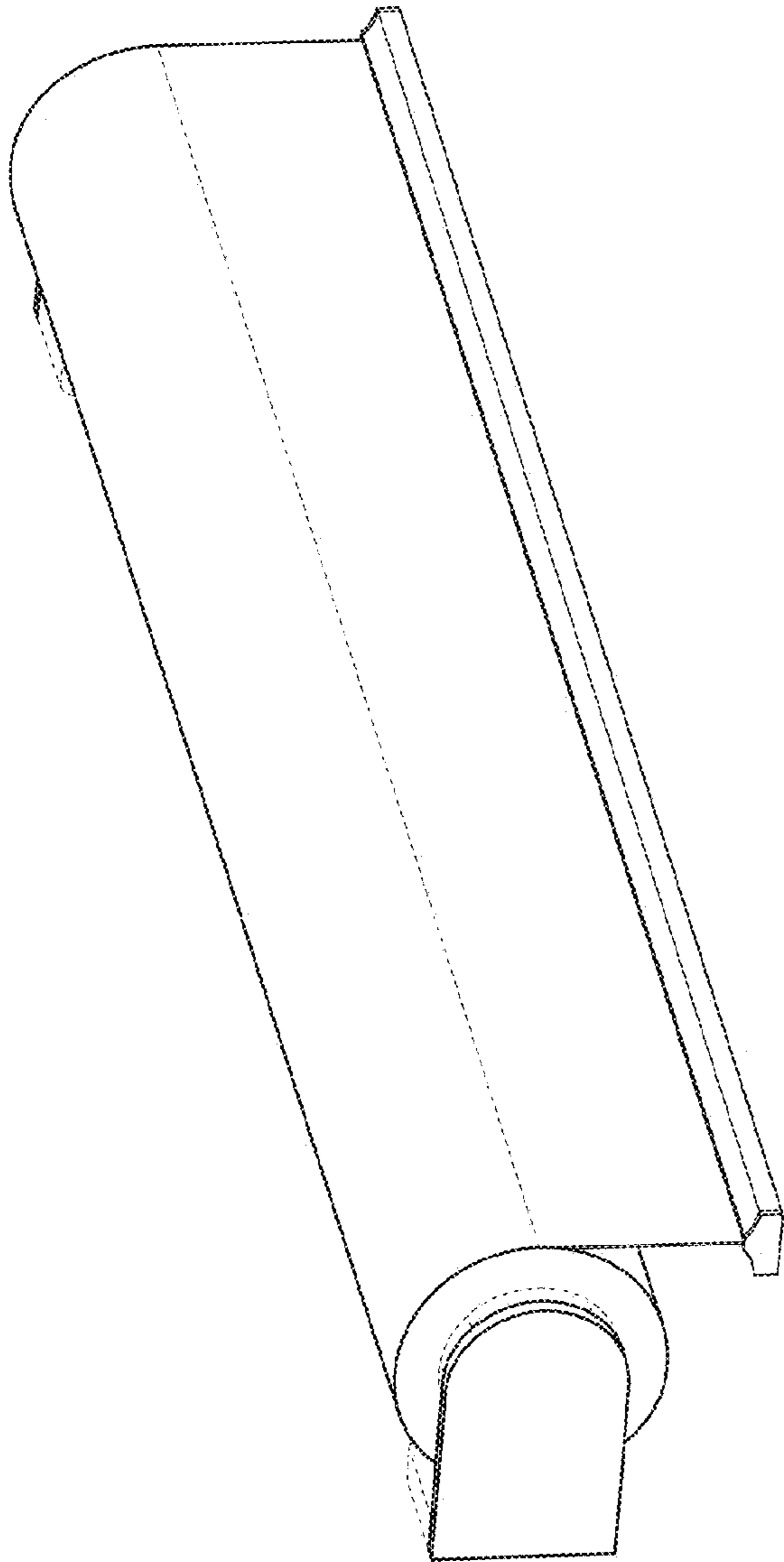


FIG. 1

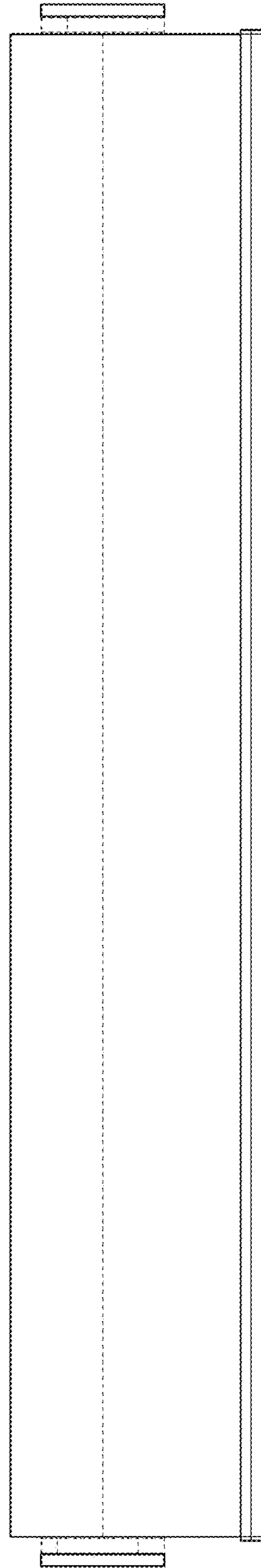


FIG. 2

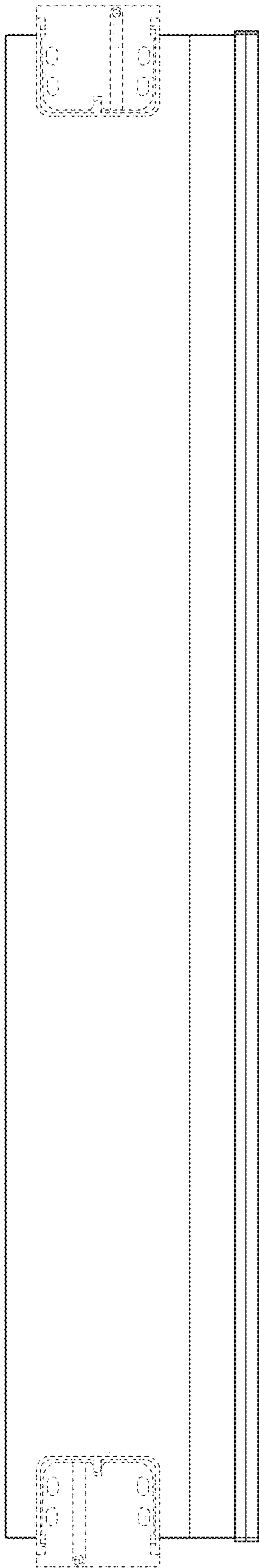


FIG. 3

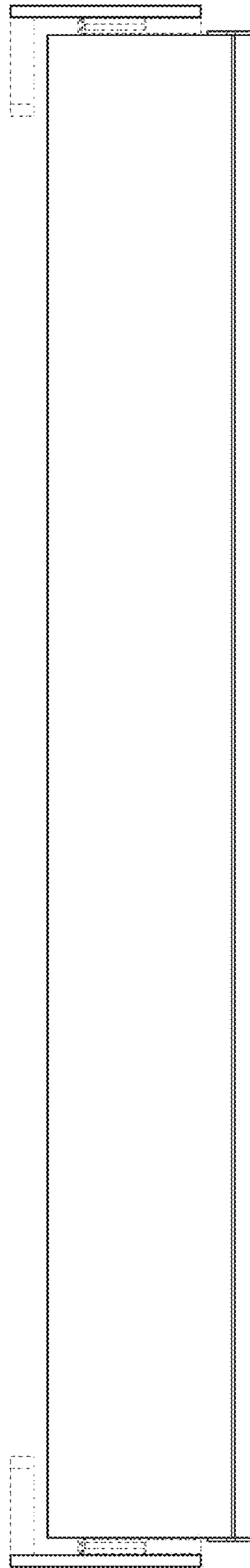


FIG. 4

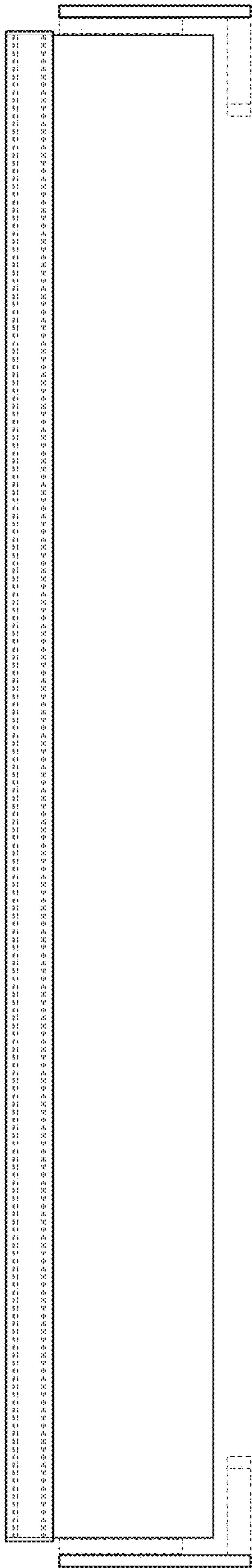


FIG. 5

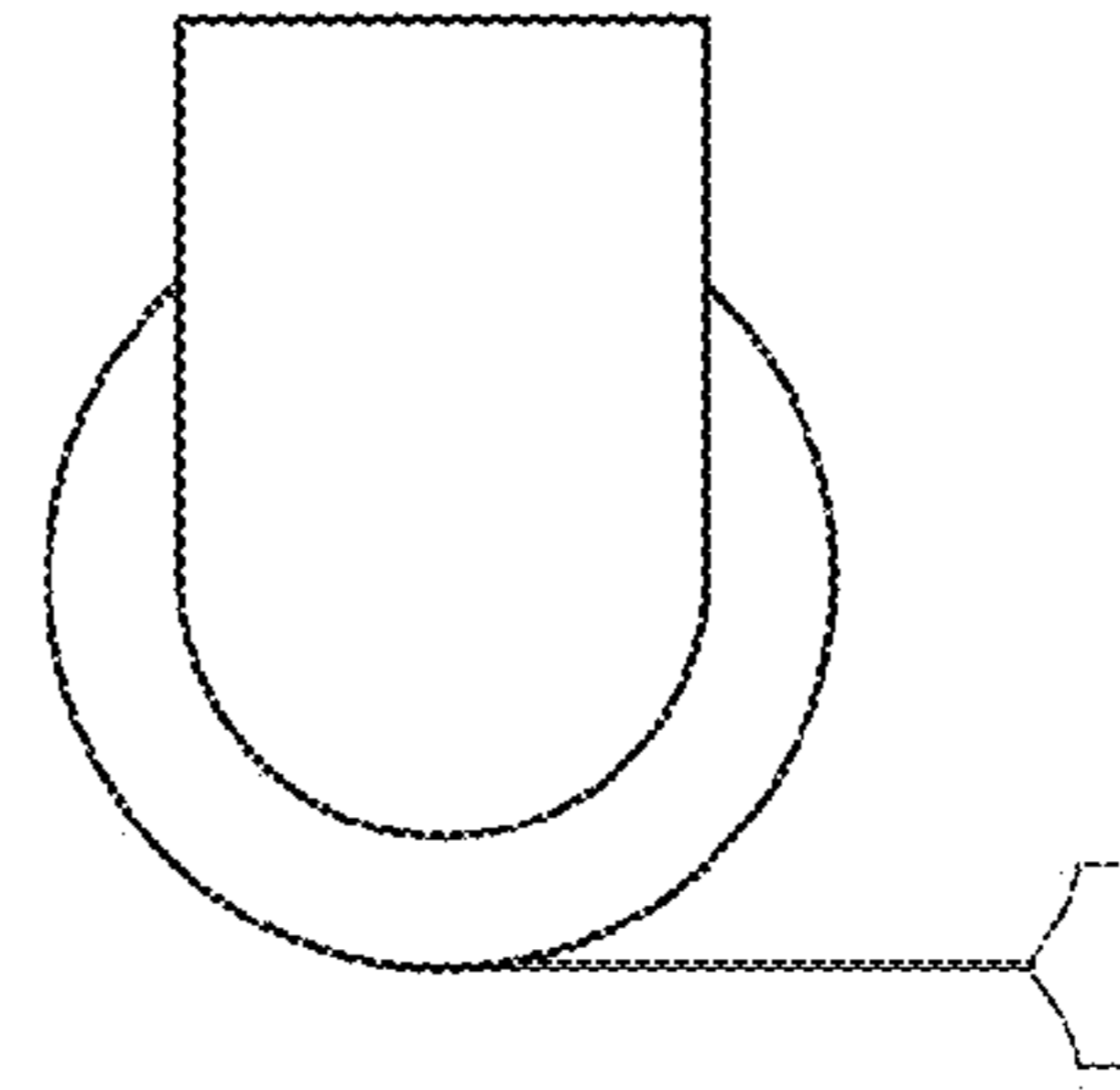


FIG. 7

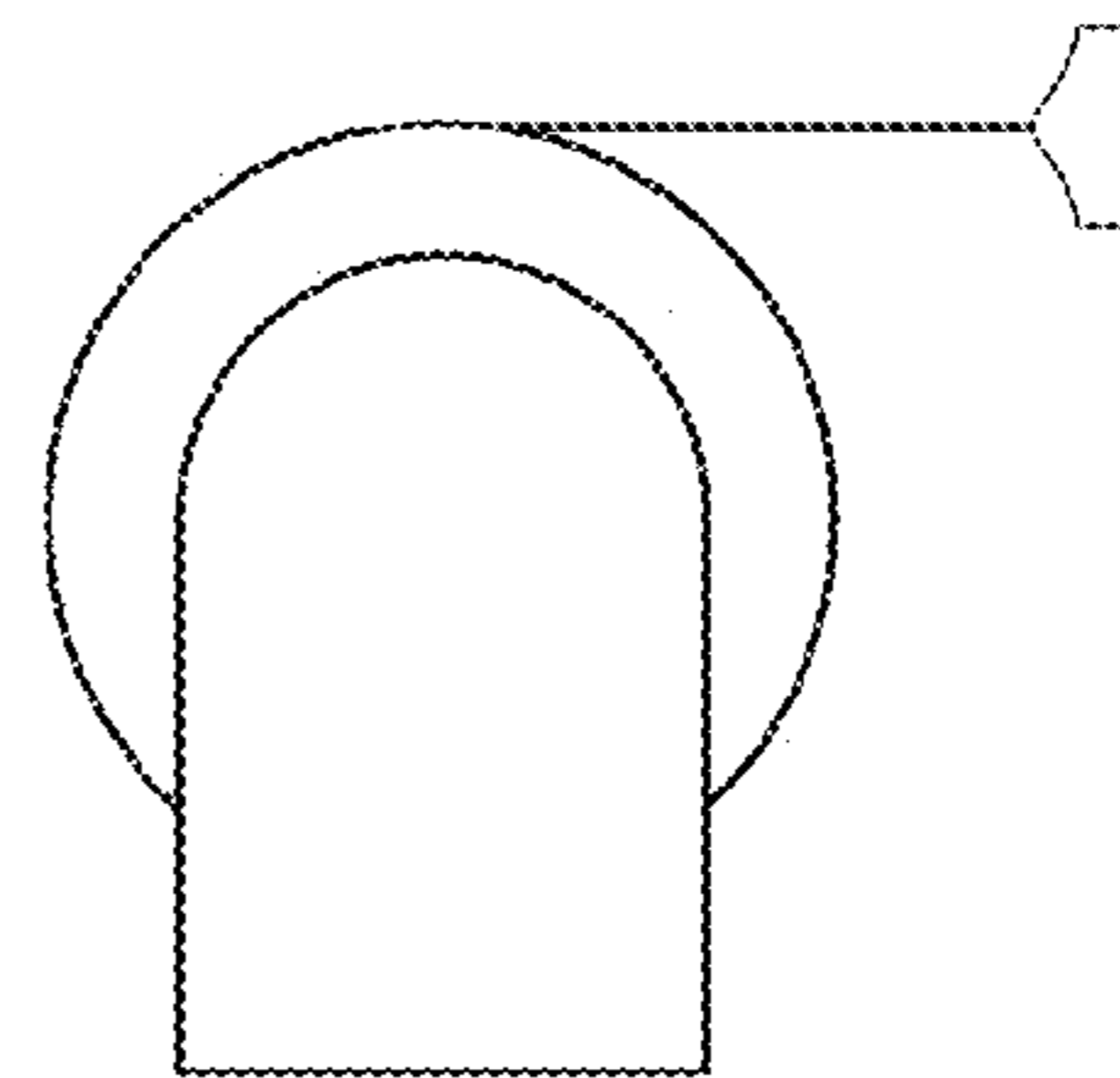


FIG. 6

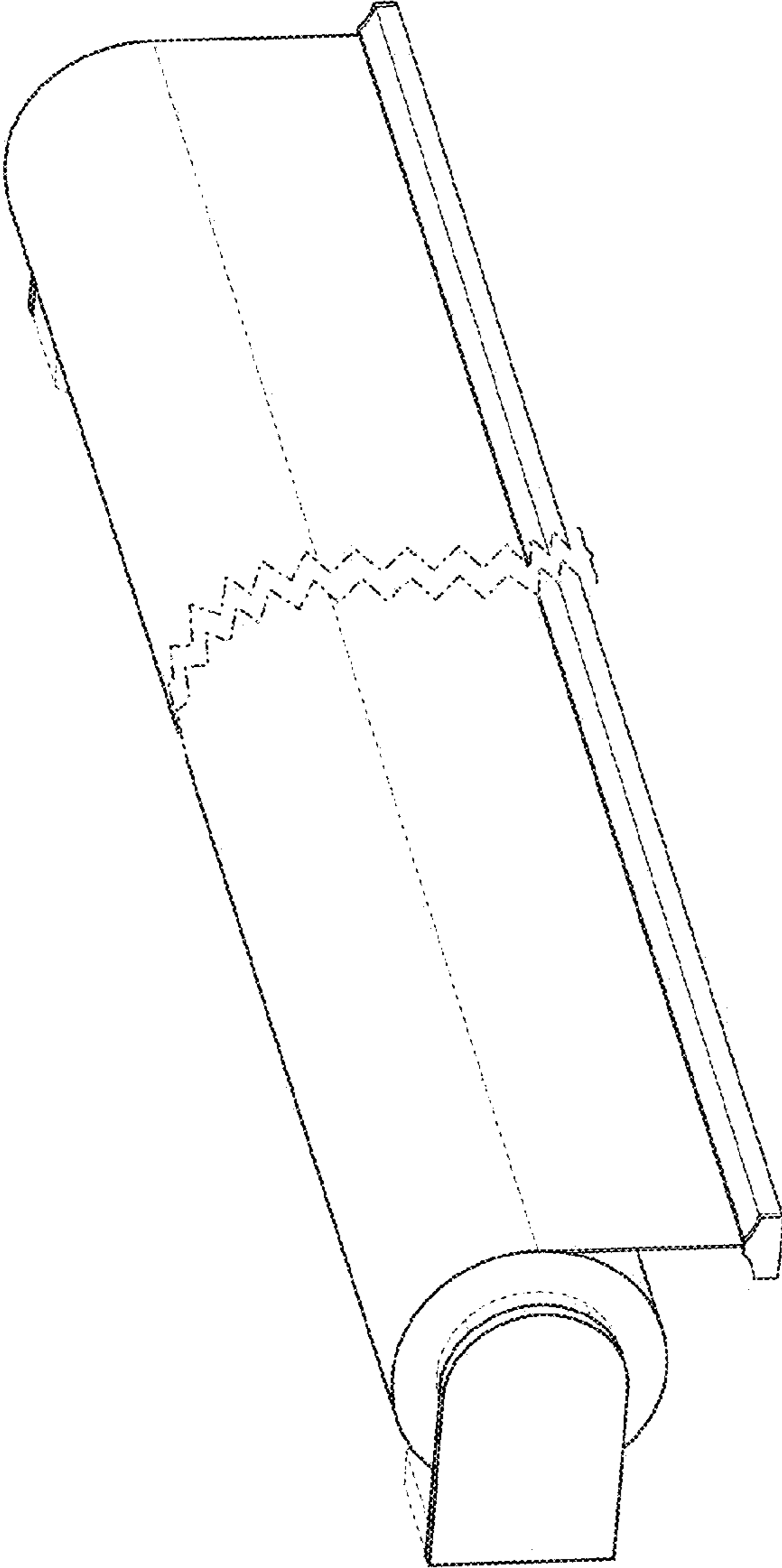


FIG. 8

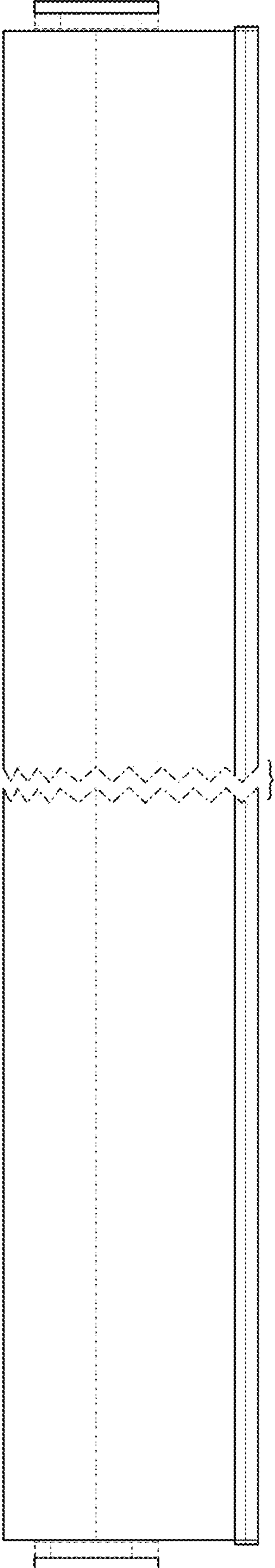


FIG. 9

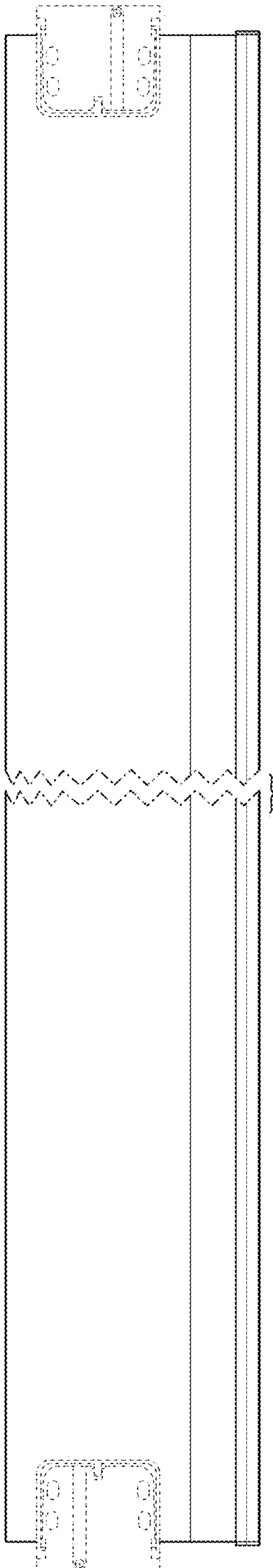


FIG. 10

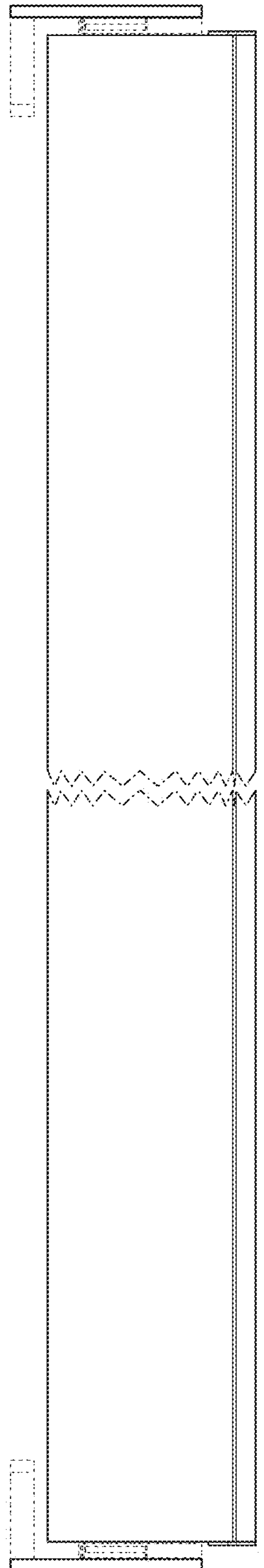


FIG. 11

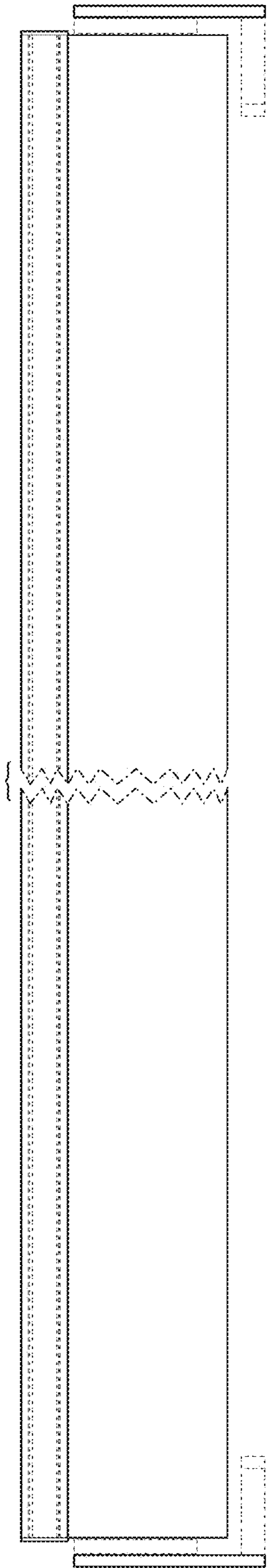


FIG. 12

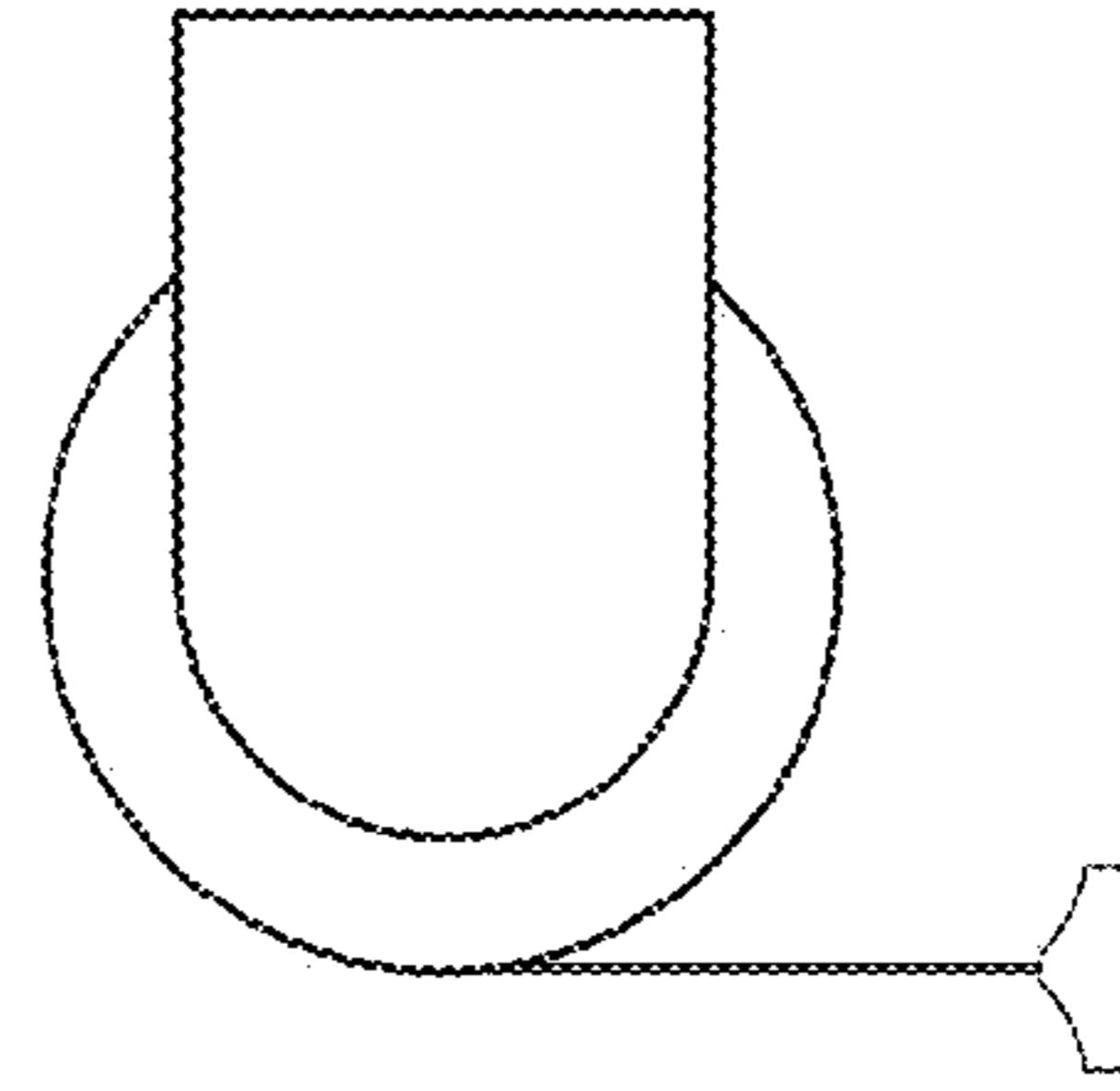


FIG. 14

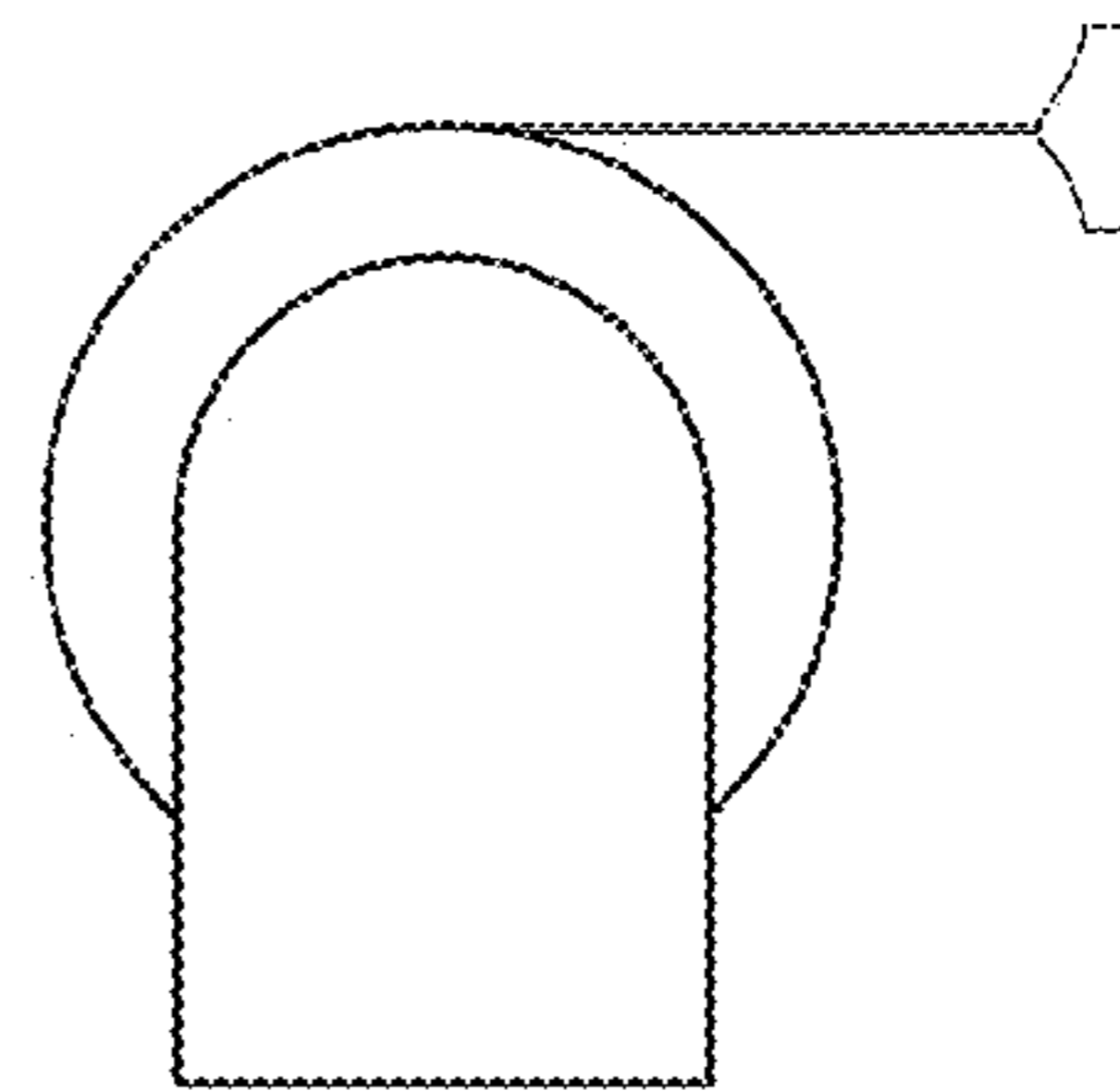


FIG. 13