



US00D935220S

(12) **United States Design Patent** (10) **Patent No.:** **US D935,220 S**  
**Lin** (45) **Date of Patent:** **\*\* Nov. 9, 2021**

(54) **COFFEE MUG RACK**  
(71) Applicant: **Qiang Lin**, Fujian Province (CN)  
(72) Inventor: **Qiang Lin**, Fujian Province (CN)  
(\*\*) Term: **15 Years**  
(21) Appl. No.: **29/772,957**  
(22) Filed: **Mar. 5, 2021**  
(51) **LOC (13) Cl.** ..... **06-04**  
(52) **U.S. Cl.**  
USPC ..... **D6/566**  
(58) **Field of Classification Search**  
USPC ..... D6/562, 315, 320, 327, 512-514, 521,  
D6/548, 549, 553, 566, 567, 569, 570,  
D6/571, 574, 663, 667, 668.1, 668.2, 671;  
D8/349, 354, 367, 372; D25/38.1;  
211/13.1, 113, 117-118; 248/301-304,  
248/309.1, 309.2, 327; D7/704  
CPC ..... A47B 17/04; A47B 67/00; A47B 67/02;  
A47B 7/02; A47B 25/00; A47B 57/00  
See application file for complete search history.

(56) **References Cited**  
U.S. PATENT DOCUMENTS  
D474,933 S \* 5/2003 Kaposi ..... D6/569  
D643,662 S \* 8/2011 Goodman ..... D6/566

D666,859 S \* 9/2012 Goodman ..... D6/566  
D699,467 S \* 2/2014 Tsai ..... D6/514  
D720,141 S \* 12/2014 Francis ..... D6/315  
D875,426 S \* 2/2020 Lai ..... D6/566  
D882,984 S \* 5/2020 Najimi ..... D6/514

\* cited by examiner

*Primary Examiner* — Wan Laymon  
*Assistant Examiner* — Mark Booker

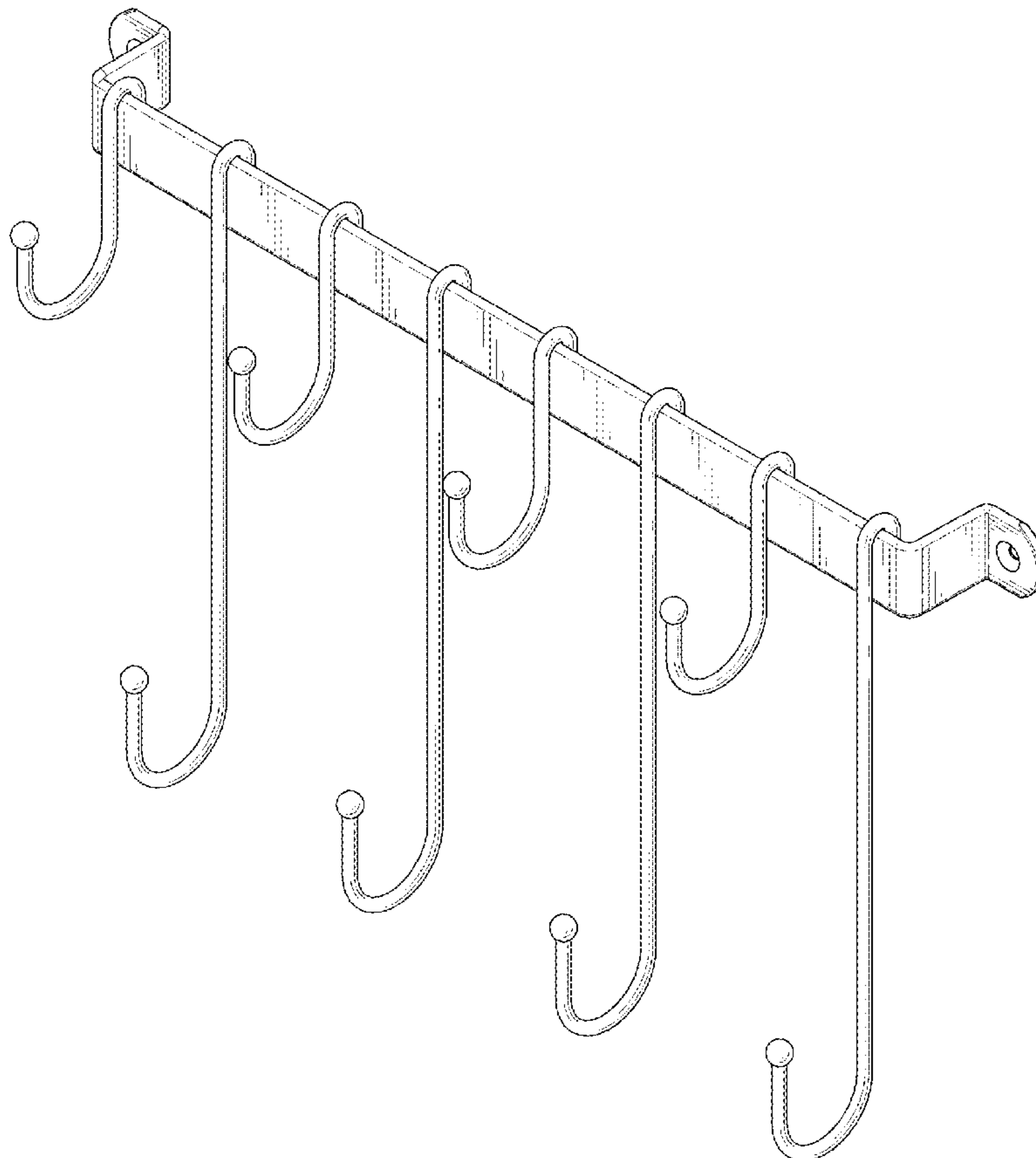
(57) **CLAIM**

The ornamental design for a coffee mug rack, as shown and described.

**DESCRIPTION**

FIG. 1 is a front and top perspective view of a coffee mug rack, showing my new design;  
FIG. 2 is a rear and bottom perspective view thereof;  
FIG. 3 is a front elevation view thereof;  
FIG. 4 is a rear elevation view thereof;  
FIG. 5 is a left side elevation view thereof;  
FIG. 6 is a right side elevation view thereof;  
FIG. 7 is a top plan view thereof;  
FIG. 8 is a bottom plan view thereof; and,  
FIG. 9 is an exploded front and top perspective view thereof.

**1 Claim, 9 Drawing Sheets**



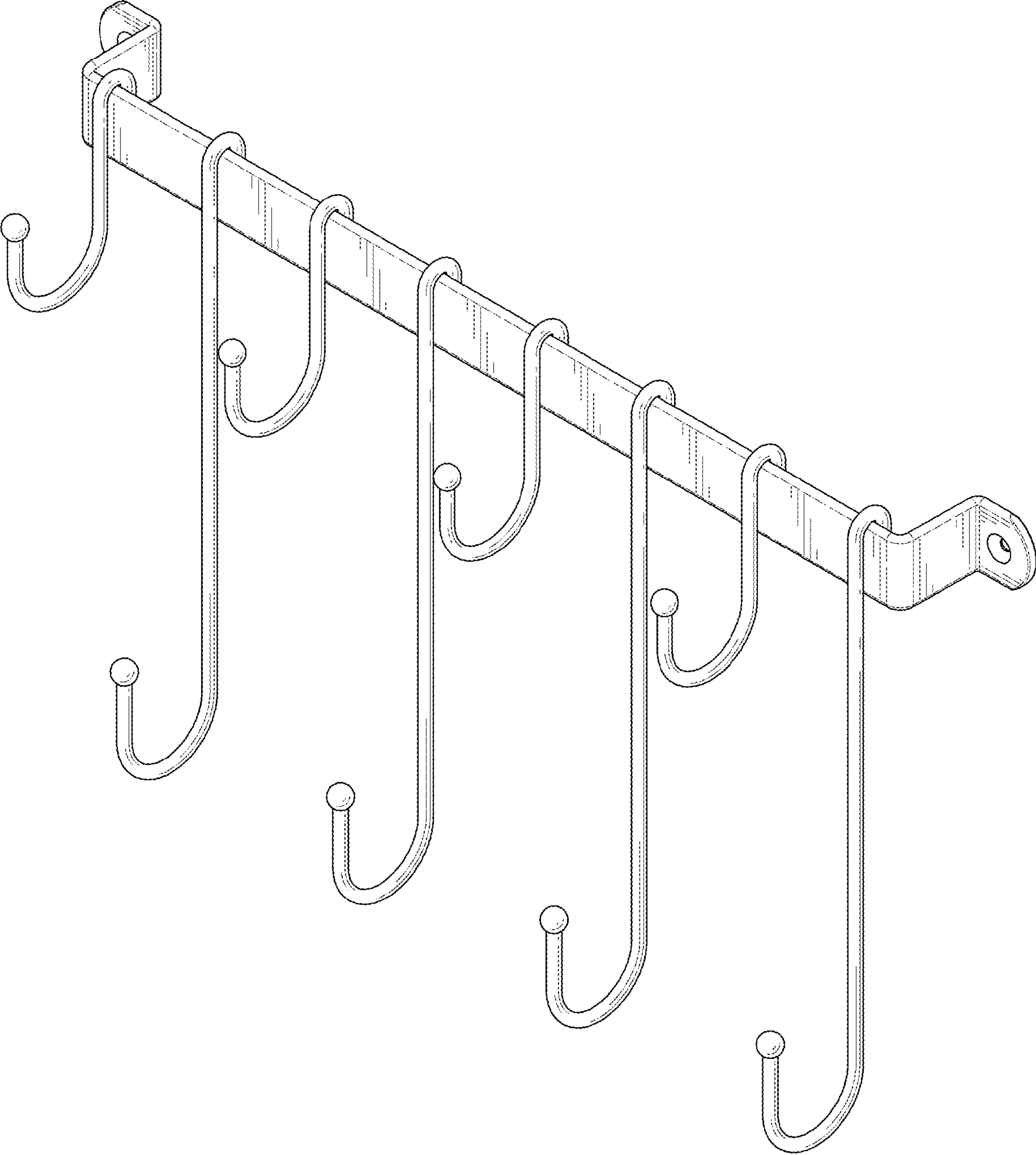


FIG. 1

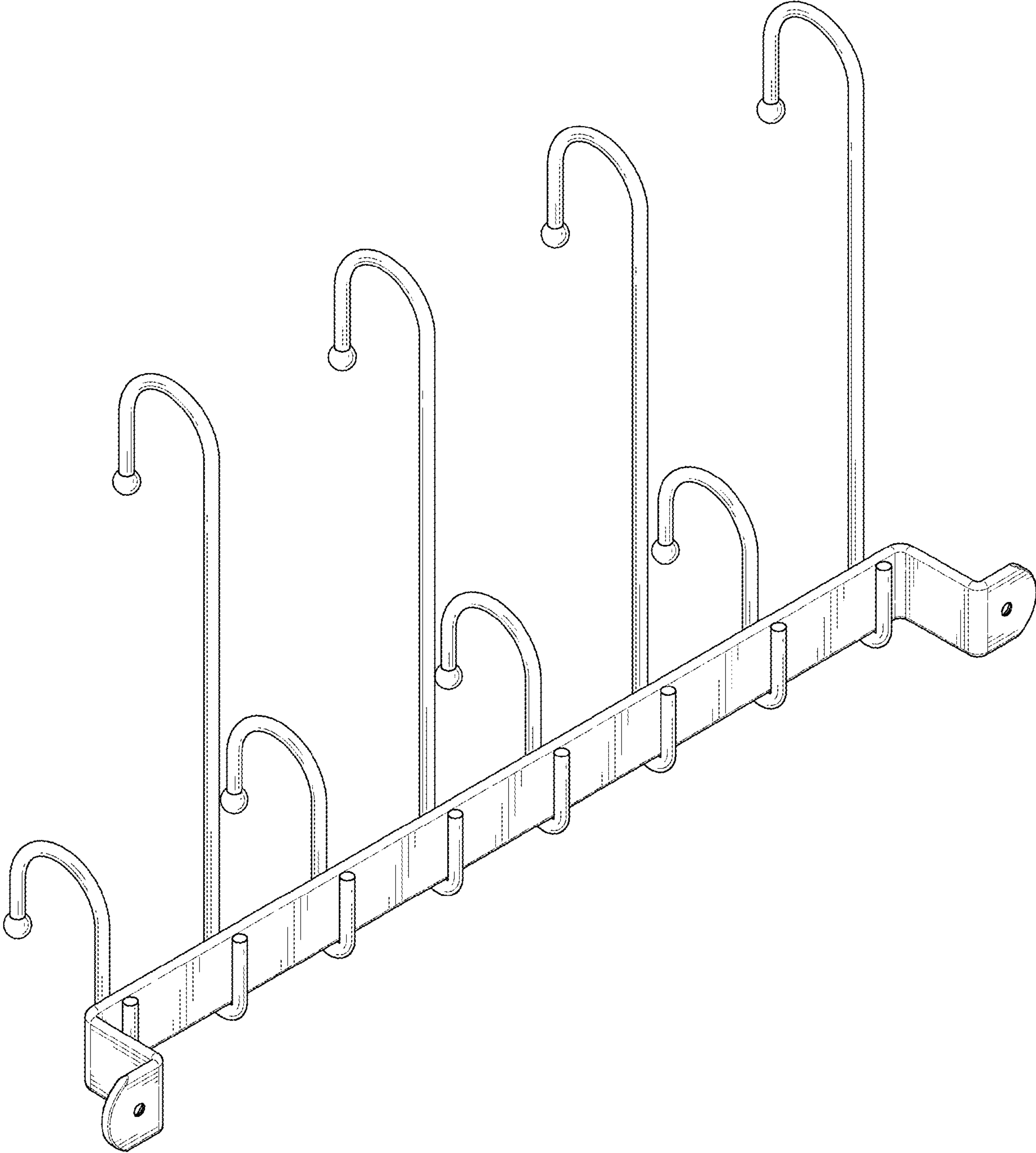


FIG. 2

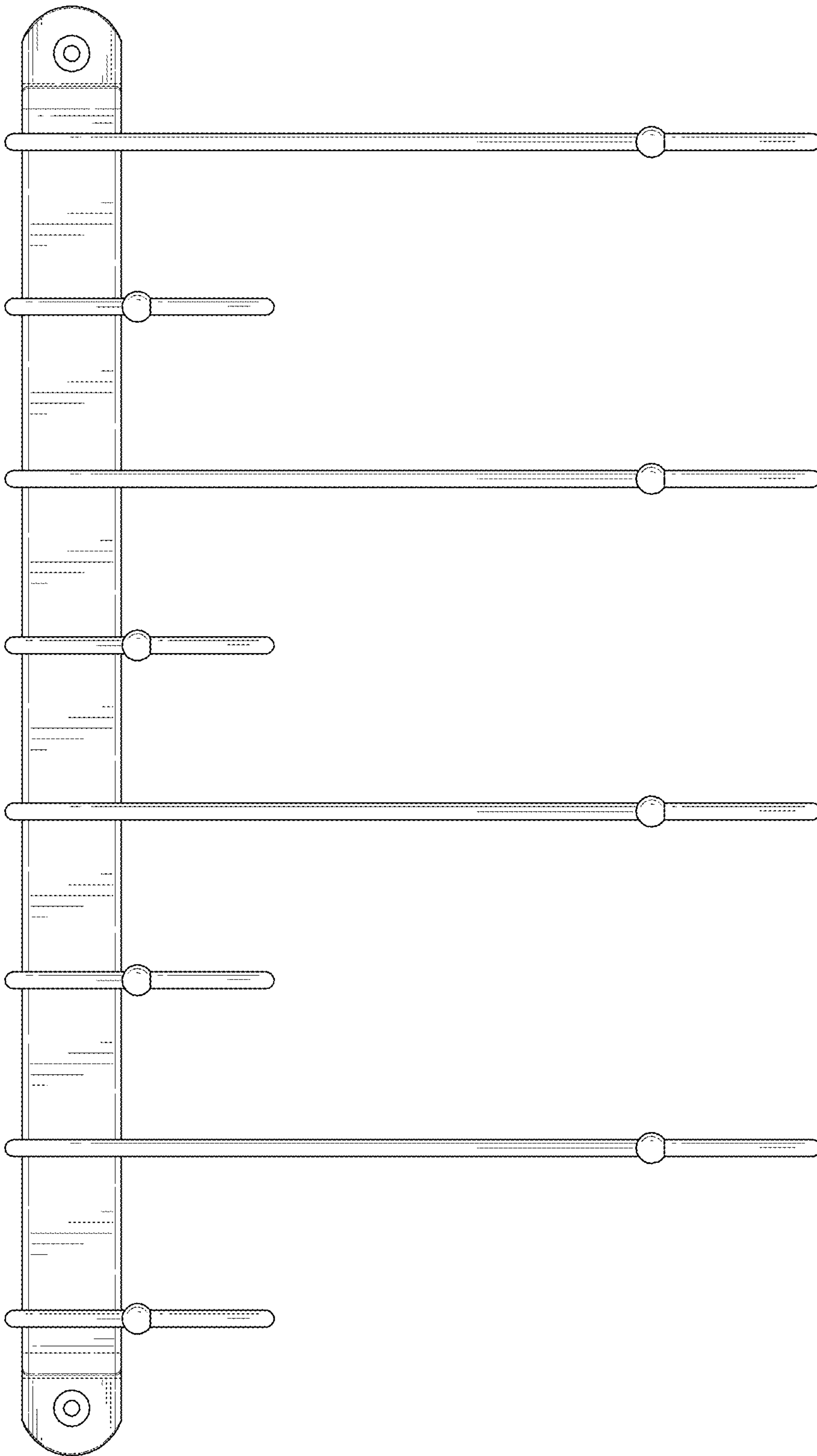


FIG. 3

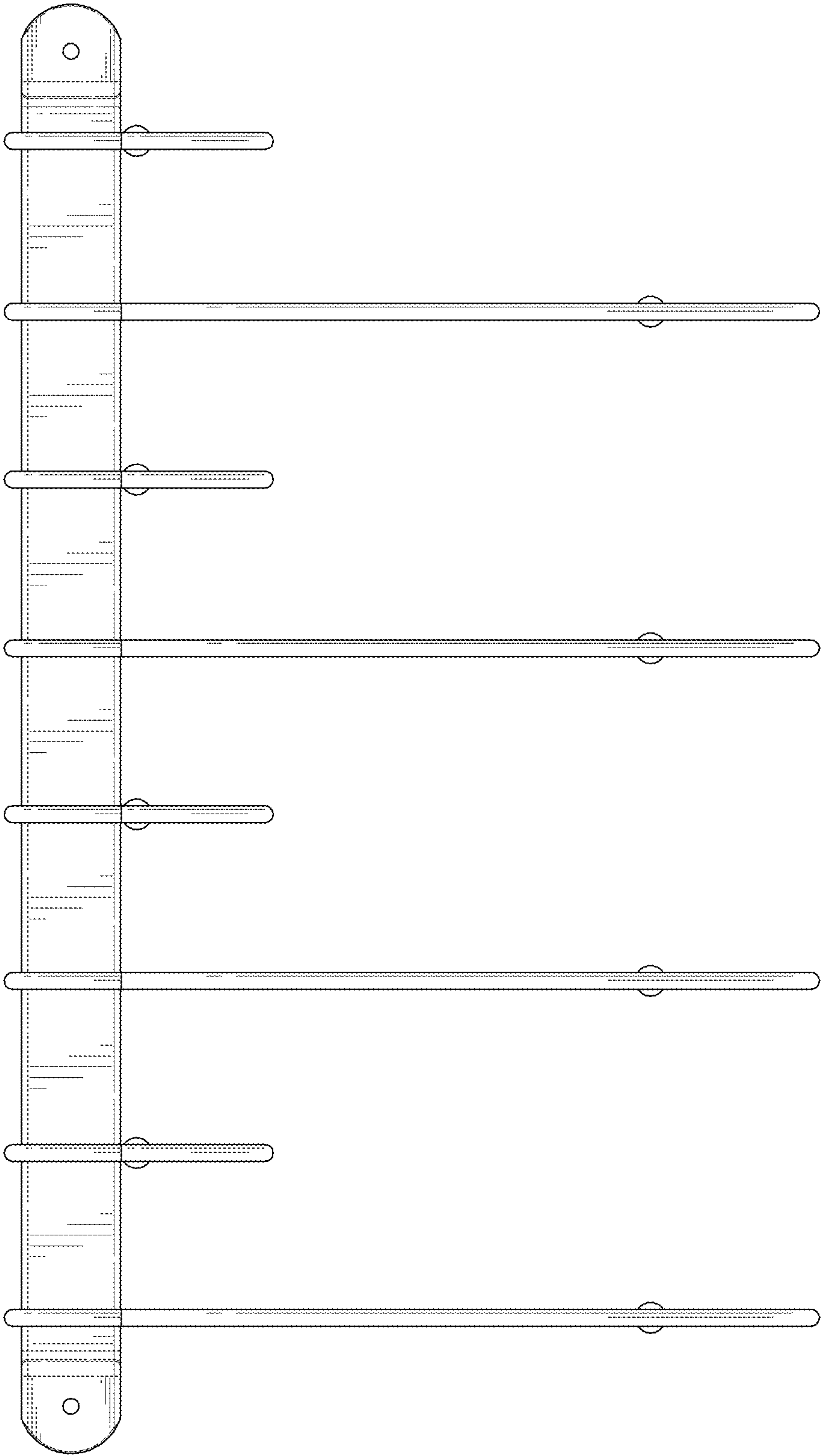


FIG. 4

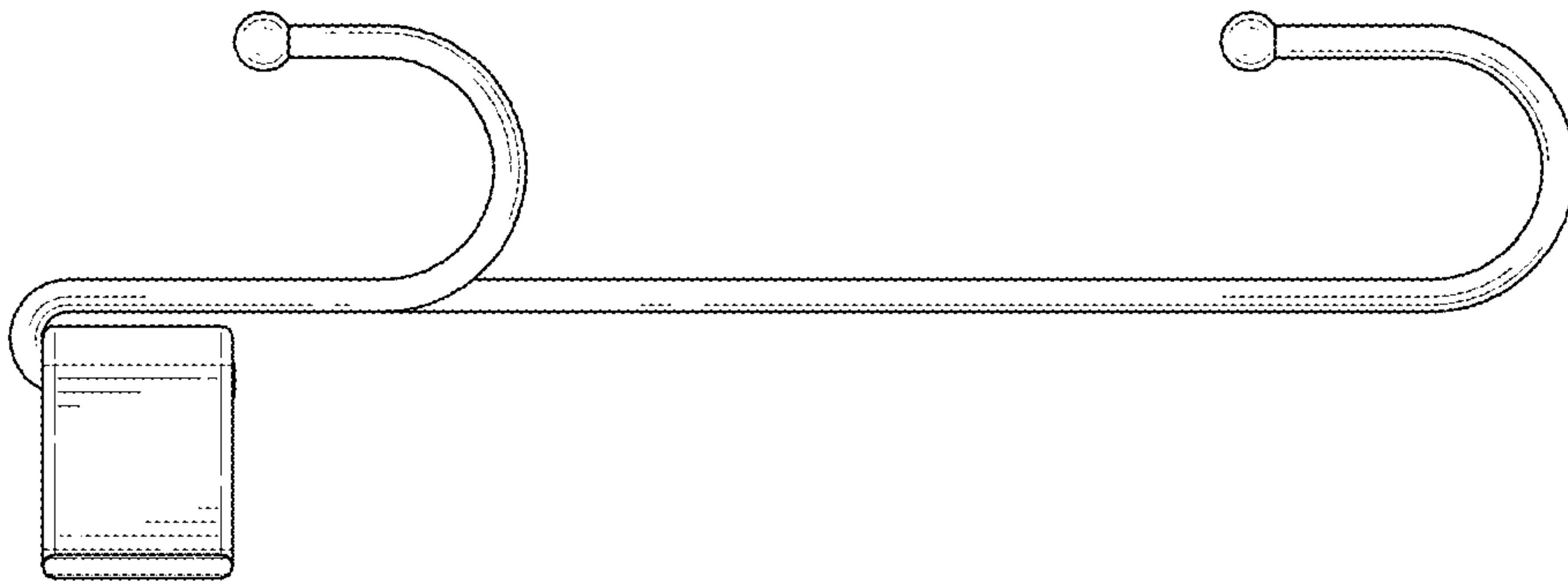


FIG. 5

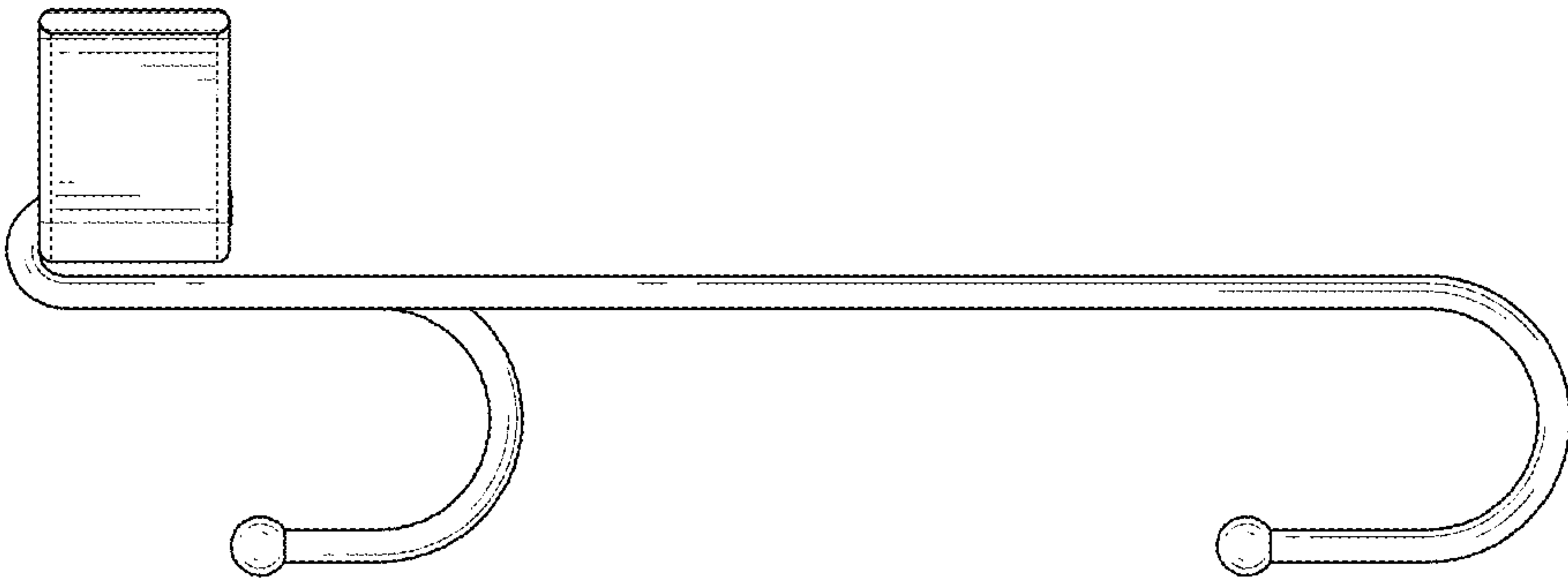


FIG. 6



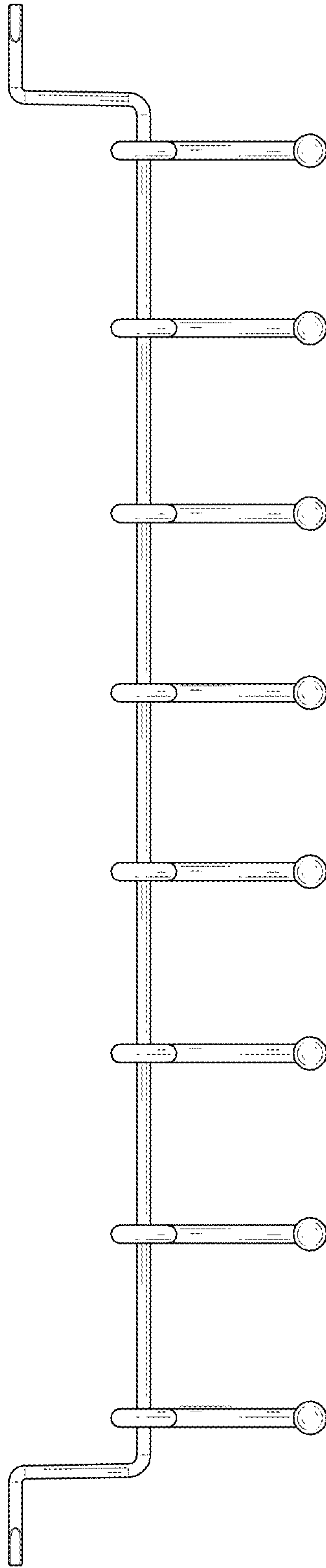


FIG. 7



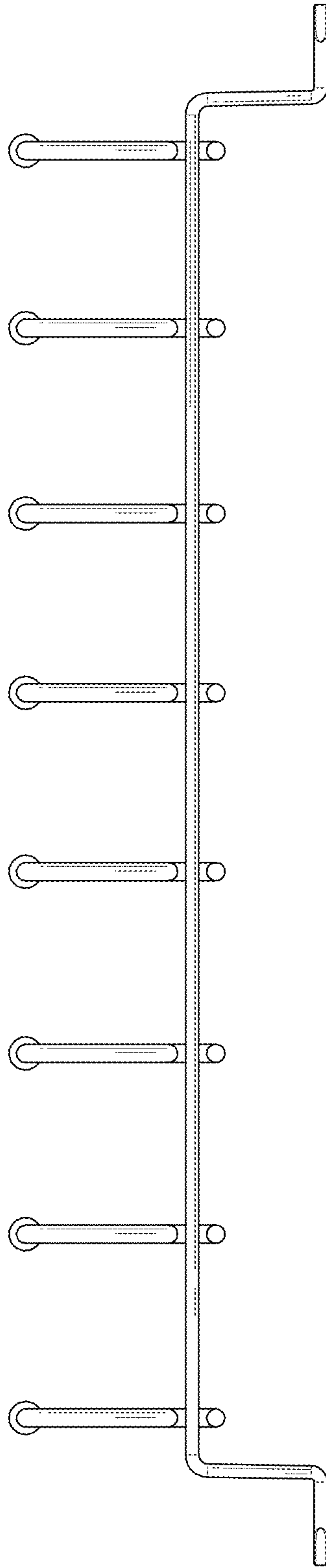


FIG. 8

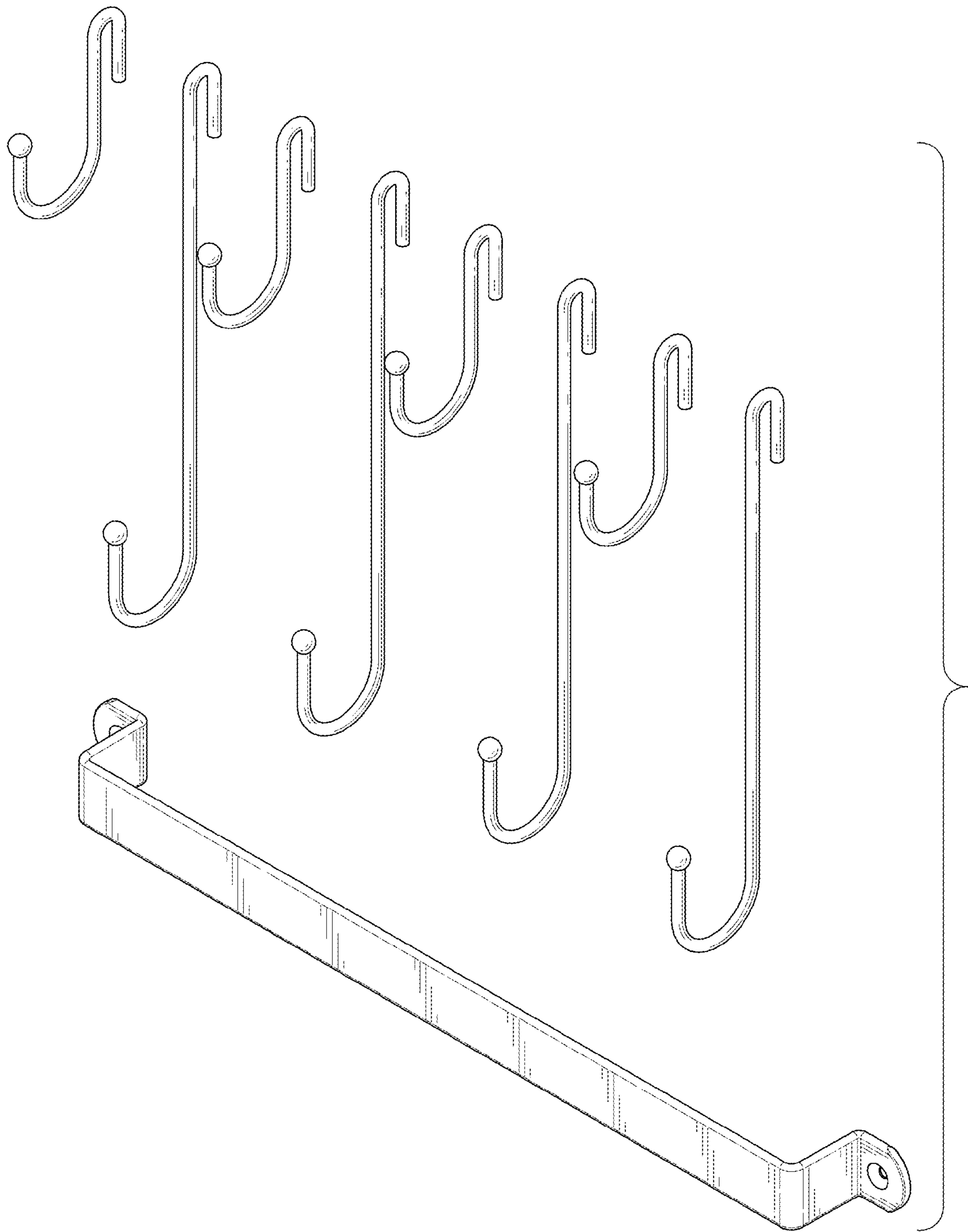


FIG. 9