



US00D935219S

(12) **United States Design Patent** (10) **Patent No.:** **US D935,219 S**
Wang (45) **Date of Patent:** **** Nov. 9, 2021**

(54) **TOILET BRUSH HOLDER**

(71) Applicant: **Tao Wang**, Jinhua (CN)

(72) Inventor: **Tao Wang**, Jinhua (CN)

(**) Term: **15 Years**

(21) Appl. No.: **29/745,387**

(22) Filed: **Aug. 5, 2020**

(51) **LOC (13) Cl.** **06-04**

(52) **U.S. Cl.**

USPC **D6/551**

(58) **Field of Classification Search**

USPC D6/551, 525; D8/80, 83, 94, 107, 300;
206/207, 349, 361; D32/40, 42, 46, 49,
D32/51, 52; D7/541, 555, 615; 312/206,
312/207; D4/100, 102, 114, 117, 118,
D4/121, 130–136, 138; 4/255.05, 255.11;
15/21.1, 143.1, 145, 159.1, 160, 186–188;
132/120, 142, 313

CPC A47K 17/00; A47K 11/10; A47K 3/001;
B65D 47/40; A46B 2200/304; A46B
17/02; A46B 17/06

See application file for complete search history.

(56) **References Cited**

U.S. PATENT DOCUMENTS

5,484,065 A * 1/1996 Davoli, Jr. A47K 1/09
211/2
D449,951 S * 11/2001 Schmidt D6/524
D466,700 S * 12/2002 Richmond D13/108
D482,919 S * 12/2003 Armstrong D6/551
D525,064 S * 7/2006 Williams D6/524

D551,480 S * 9/2007 Dretzka D6/551
D608,126 S * 1/2010 Buck D6/551
D621,190 S * 8/2010 Yoo D6/524
7,806,256 B2 * 10/2010 Wildauer A47K 17/00
206/15.3
D664,387 S * 7/2012 Kennedy D6/542
D805,807 S 12/2017 Li
D840,170 S * 2/2019 Joseph D6/525
D842,004 S 3/2019 Joseph
D860,555 S * 9/2019 de Martrin-Donos D32/14
2014/0366257 A1 * 12/2014 Dempsey E03F 9/002
4/255.11

* cited by examiner

Primary Examiner — Nathan M Johnston

(74) *Attorney, Agent, or Firm* — ScienBiziP, P.C.

(57) **CLAIM**

The ornamental design for a toilet brush holder, as shown and described.

DESCRIPTION

FIG. 1 is a front perspective view of a toilet brush holder, showing my design.

FIG. 2 is a front elevation view thereof.

FIG. 3 is a rear elevation view thereof.

FIG. 4 is a left side elevation view thereof.

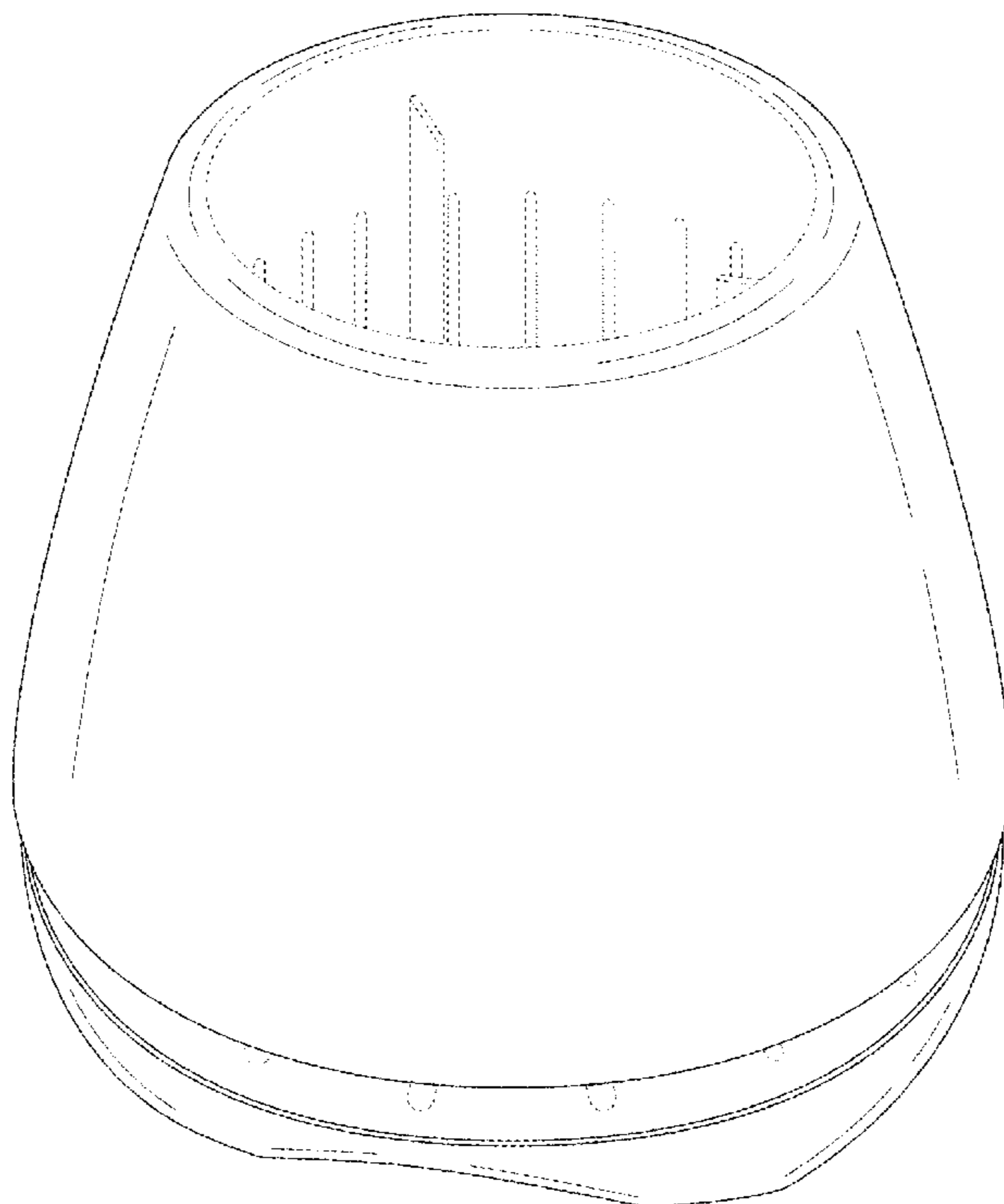
FIG. 5 is a right side elevation view thereof.

FIG. 6 is a top plan view thereof; and,

FIG. 7 is a bottom plan view thereof.

The broken lines shows portions of the design that form no part of the claimed design.

1 Claim, 7 Drawing Sheets



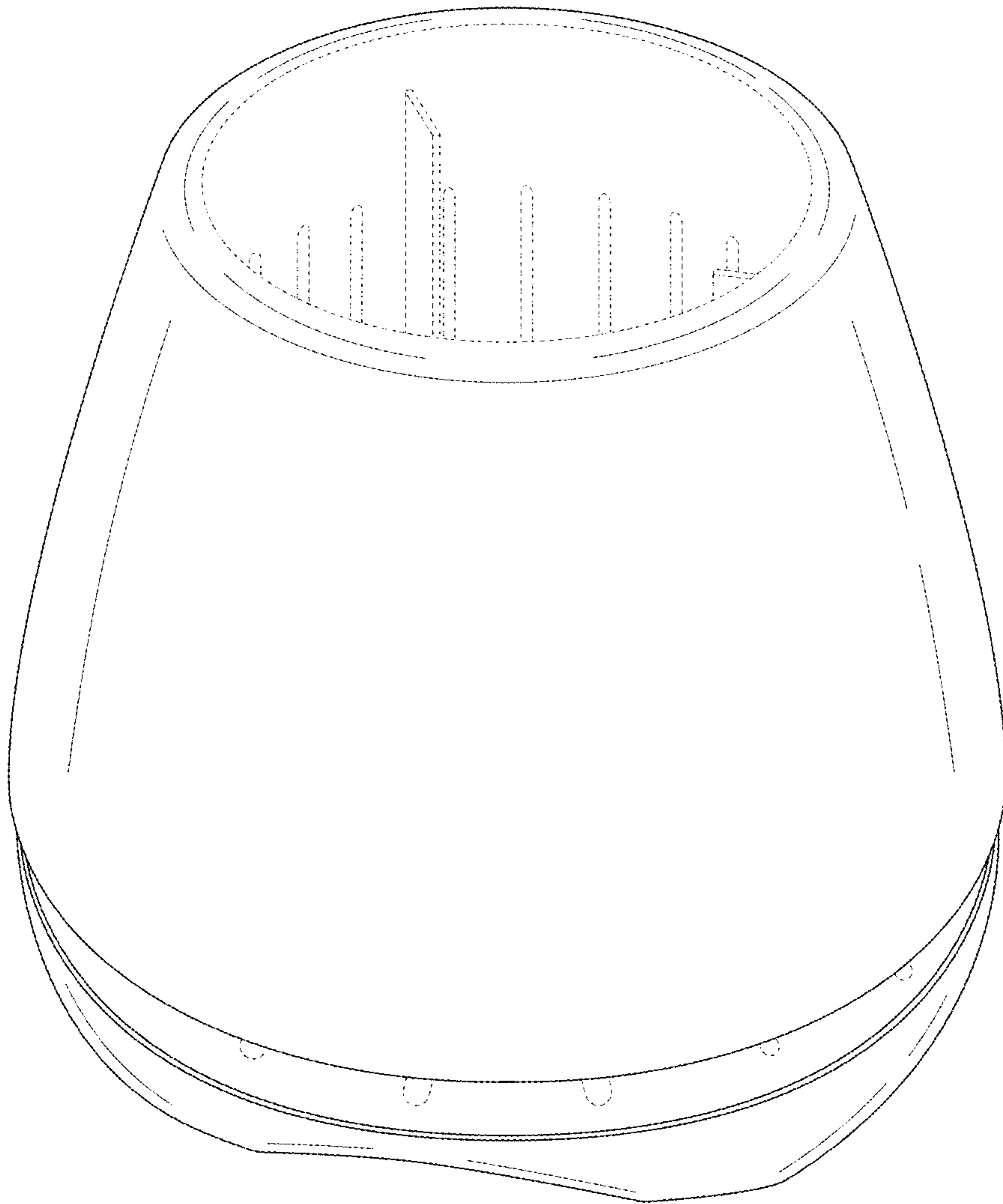


FIG.1

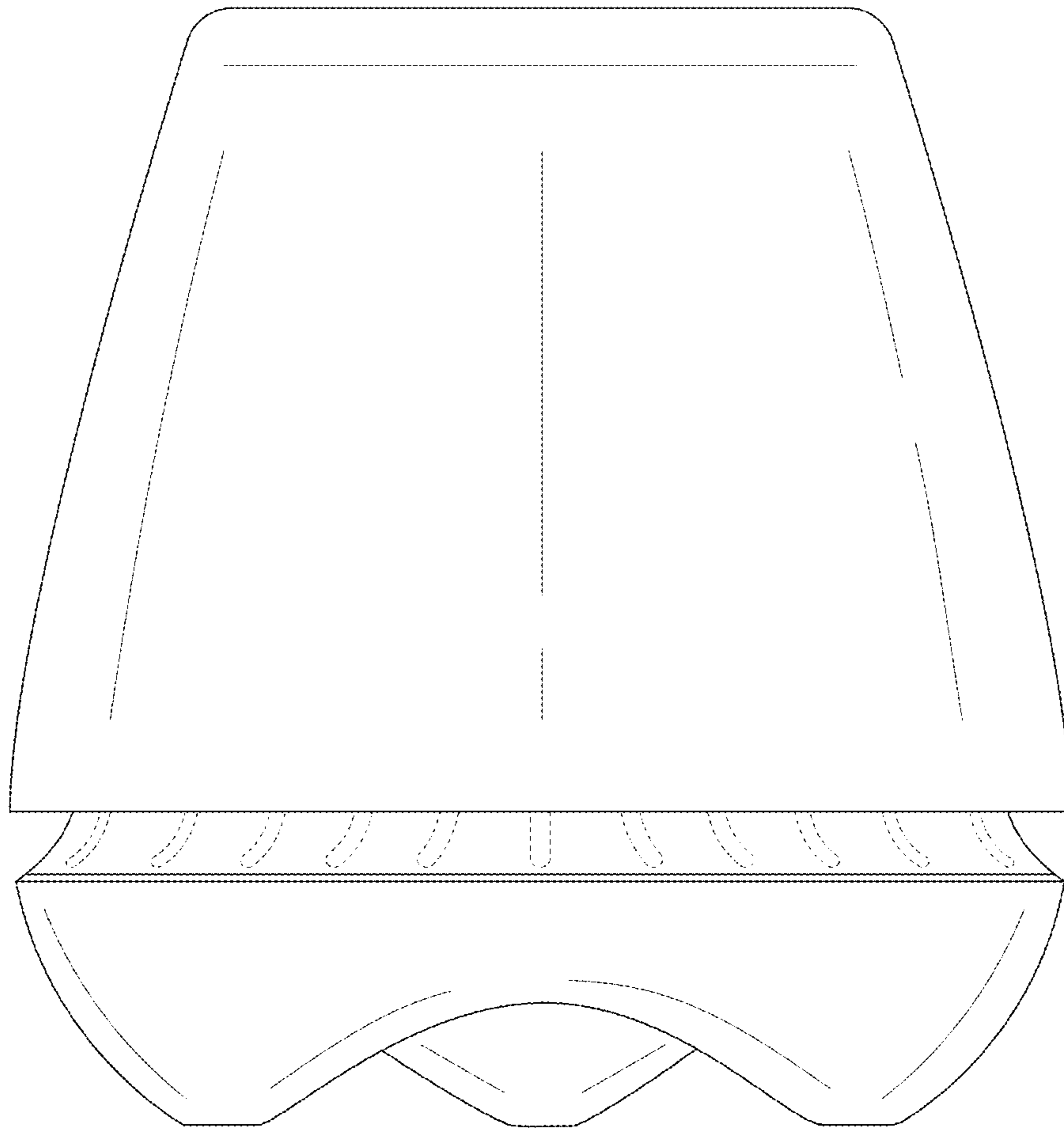


FIG.2

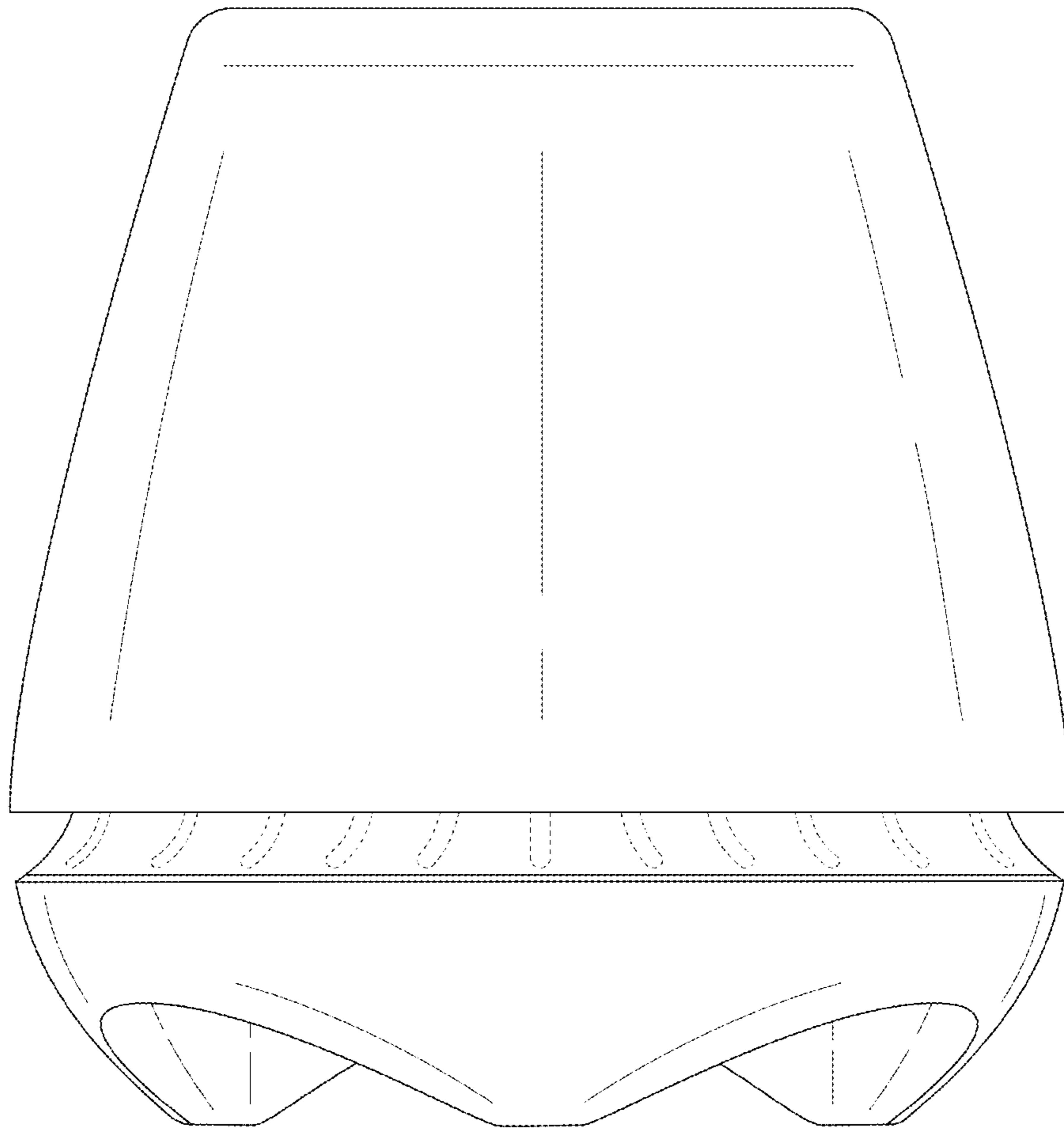


FIG.3

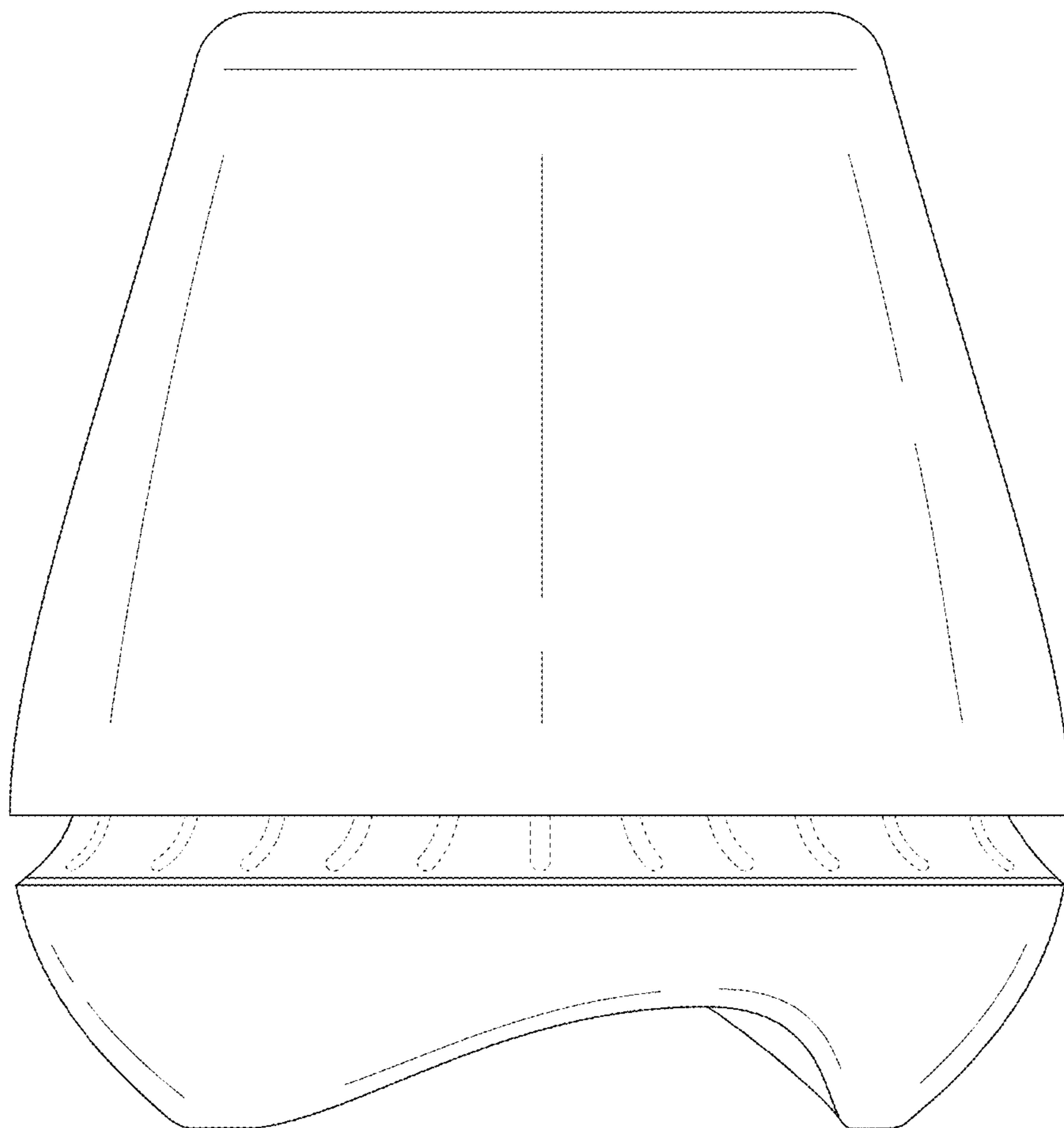


FIG.4

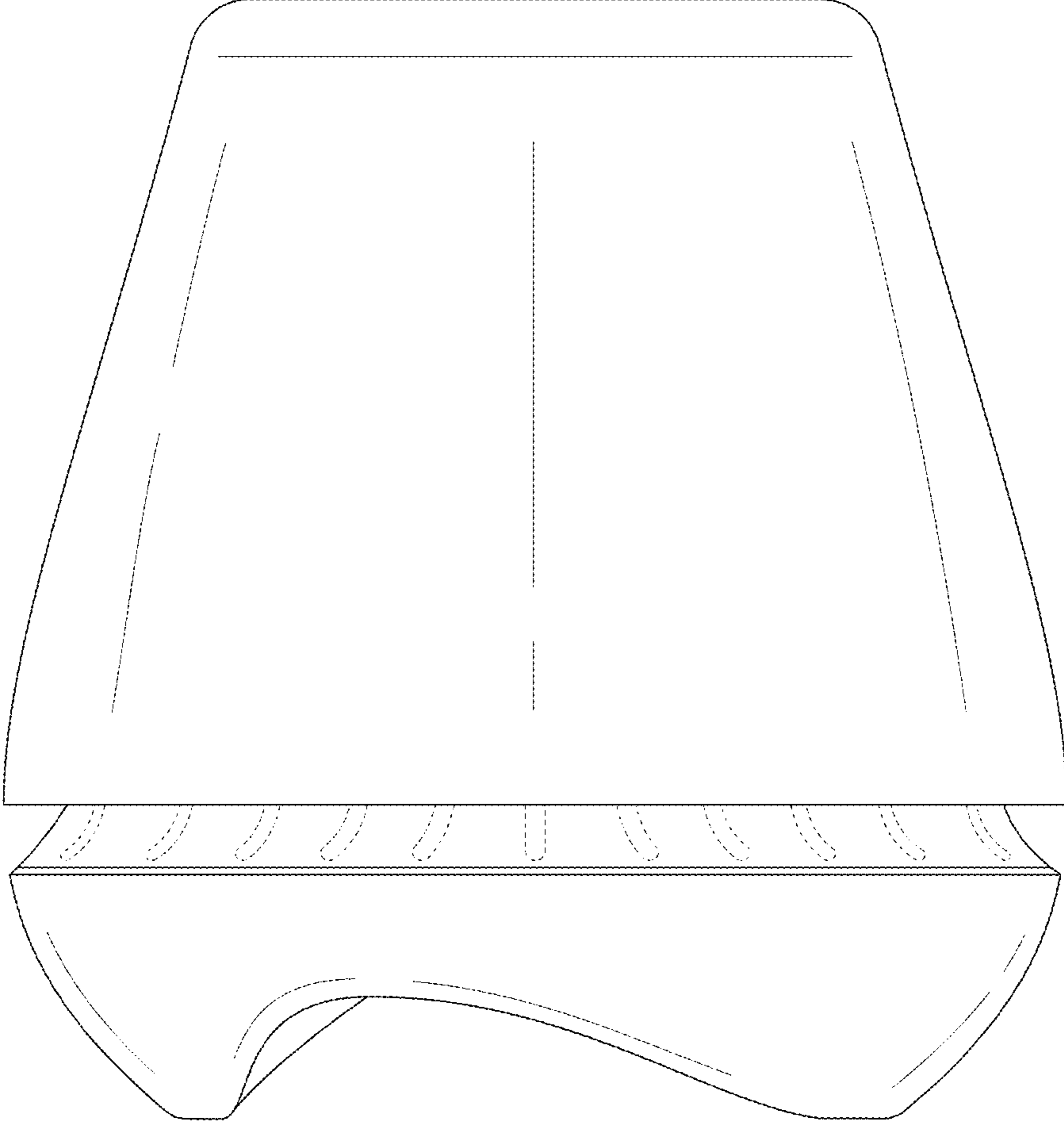


FIG.5

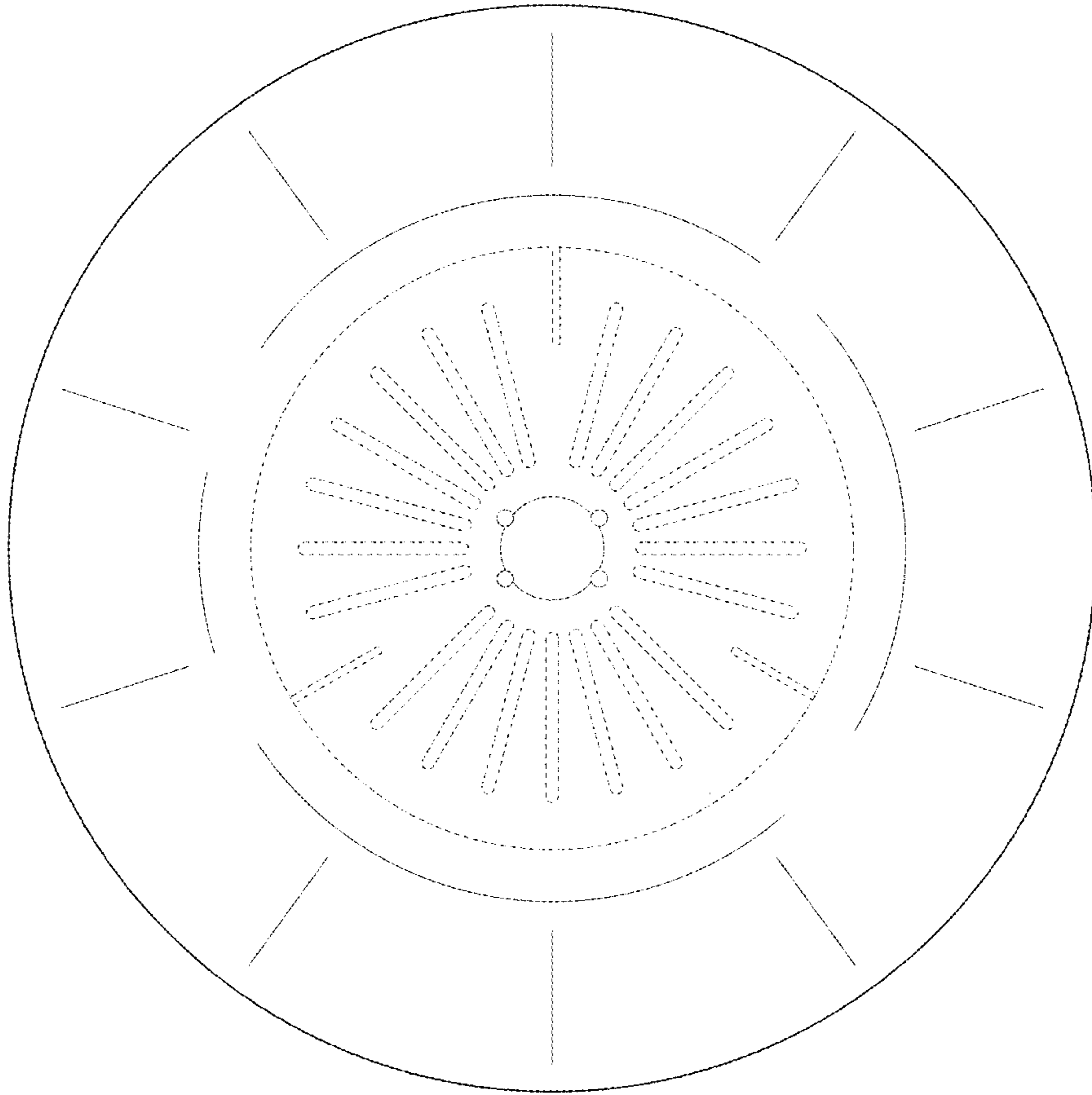


FIG.6

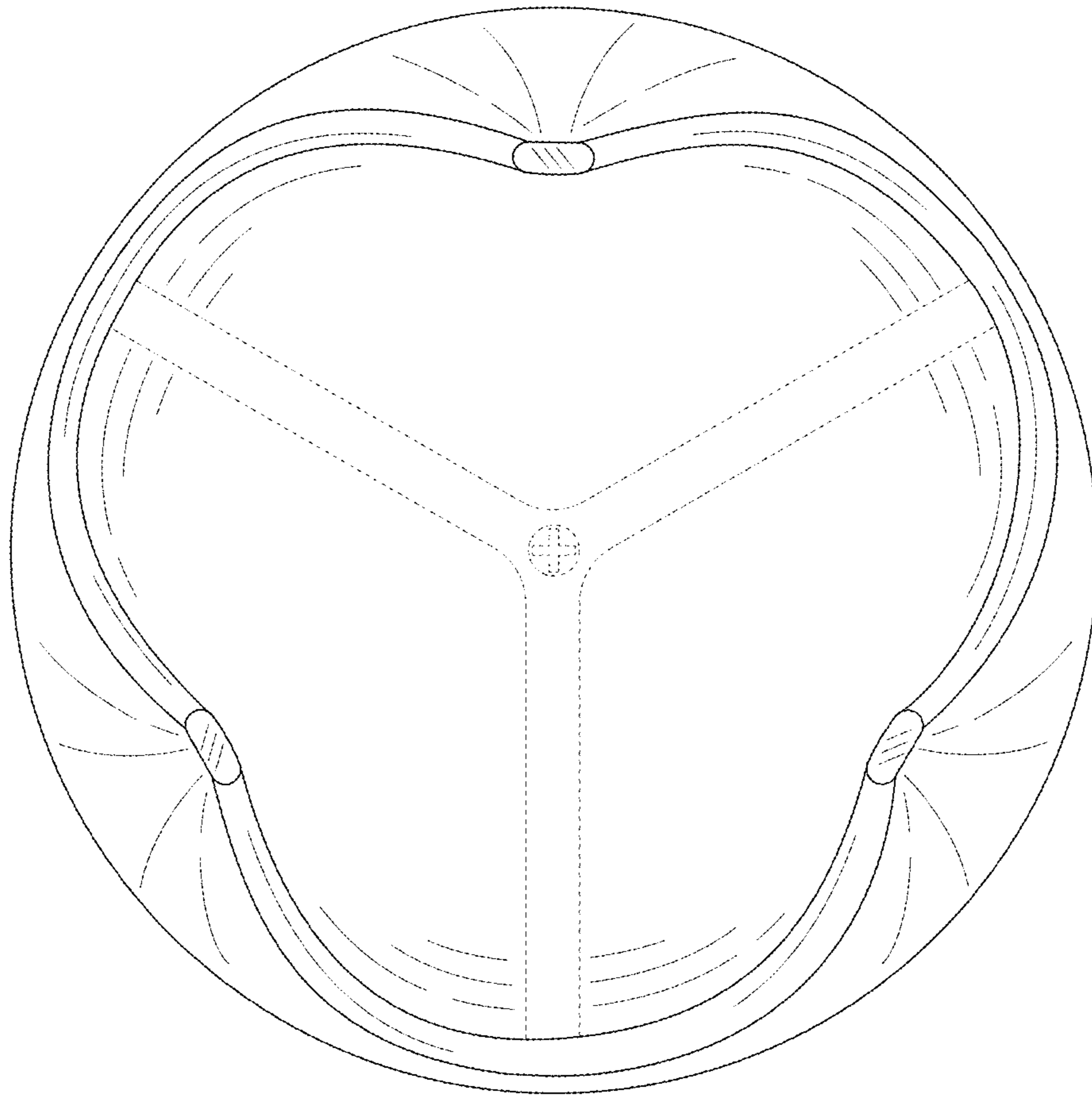


FIG. 7