



US00D935218S

(12) **United States Design Patent** (10) **Patent No.:** **US D935,218 S**
Cowlin et al. (45) **Date of Patent:** **** Nov. 9, 2021**

(54) **TOWEL BAR**

(71) Applicant: **Taymor Industries Ltd.**, Delta (CA)

(72) Inventors: **Mark Cowlin**, West Vancouver (CA);
Karolina Richards, Vancouver (CA)

(73) Assignee: **Taymor Industries Ltd.**, Delta (CA)

(**) Term: **15 Years**

(21) Appl. No.: **29/709,938**

(22) Filed: **Oct. 18, 2019**

(30) **Foreign Application Priority Data**

Jun. 28, 2019 (CA) CA 188435

(51) **LOC (13) Cl.** **06-04**

(52) **U.S. Cl.**
USPC **D6/549**

(58) **Field of Classification Search**

USPC D6/546-550, 512-525; 211/13.1, 16,
211/85.5, 86.01, 87.01, 88.04, 100, 105.1,
211/105.2, 106, 113, 123, 181.1,
211/182-183; 248/49, 175, 176.1, 200,
248/201, 205.1, 251, 302, 309.1, 315;
242/570, 590, 595-598; D8/300,
D8/315-321, 354, 363, 373, 380, 370;
108/28-29
CPC A47K 10/3836; A47K 10/38; A47K 10/40;
A47K 2010/324; A47K 10/12; A47K
10/22; A47K 2010/3233; A47K
2010/3863

See application file for complete search history.

(56) **References Cited**

U.S. PATENT DOCUMENTS

D230,228 S 2/1974 Herman
D370,617 S * 6/1996 Decursu D8/316
D416,139 S 11/1999 Roth et al.

D439,091 S * 3/2001 Milrud D6/549
D439,092 S * 3/2001 Wu D6/549
D449,215 S * 10/2001 Bertani D8/316
D450,566 S 11/2001 Gottwald
D464,812 S 10/2002 Yen
D569,704 S * 5/2008 Ricereto D8/315
D574,224 S 8/2008 Zhang
D583,222 S 12/2008 Rota
D665,650 S 8/2012 Ogden, Jr.
D683,987 S * 6/2013 Bickler D6/523

(Continued)

OTHER PUBLICATIONS

Taymor website, Slip stream Paper Holder, Sep. 21, 2020, <https://www.taymor.com/en/products/bathware/slip-stream-paper-holder-right-0> (Year: 2020).*

(Continued)

Primary Examiner — Nathan M Johnston

(74) *Attorney, Agent, or Firm* — Borden Ladner Gervais
LLP; Curtis B. Behmann

(57) **CLAIM**

The ornamental design for a towel bar, as shown and described.

DESCRIPTION

FIG. 1 is a front perspective view of a towel bar showing the design;

FIG. 2 is a front view thereof;

FIG. 3 is a rear view thereof;

FIG. 4 is a top view thereof;

FIG. 5 is a bottom view thereof;

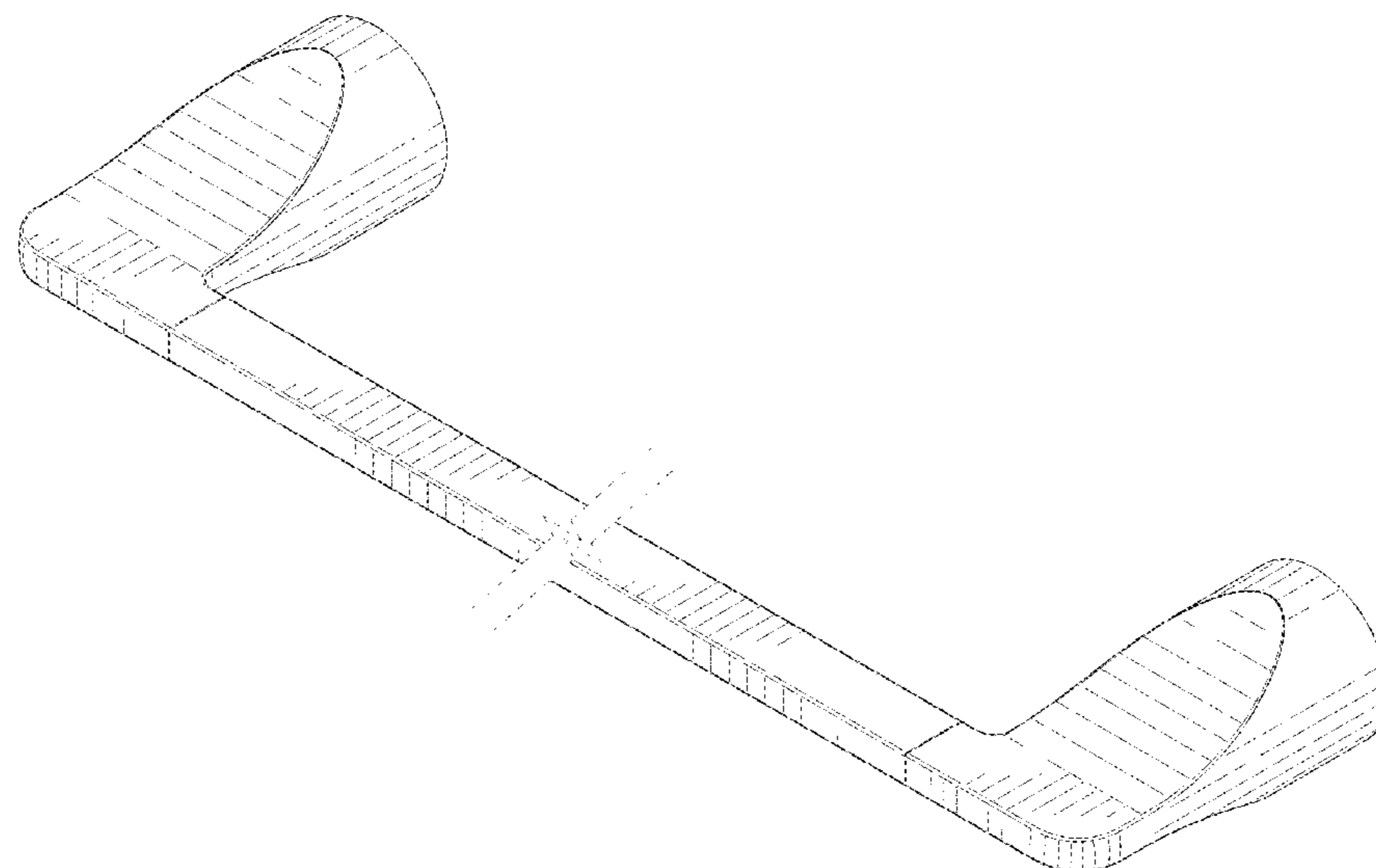
FIG. 6 is a right side view thereof; and,

FIG. 7 is a left side view thereof.

The towel bar is shown with a symbolic break in its length. The appearance of any portion of the article between the break lines forms no part of the claimed design.

The broken lines show portions of the towel bar that form no part of the claimed design.

1 Claim, 4 Drawing Sheets



(56)

References Cited

U.S. PATENT DOCUMENTS

D764,890 S * 8/2016 Shoemaker D8/315
D771,408 S * 11/2016 Garland D6/549
D772,599 S 11/2016 Kovari
D790,874 S * 7/2017 Eads D6/523
D797,468 S 9/2017 Andrew
D814,825 S * 4/2018 Ravassa D6/549
D818,352 S 5/2018 Kundig
D847,620 S 5/2019 Umholtz et al.
D857,418 S 8/2019 Garland et al.
D859,590 S * 9/2019 Wieser D23/239
D897,724 S * 10/2020 Garland D6/549
D898,409 S * 10/2020 Sisto D6/523

OTHER PUBLICATIONS

Taymor website, Slip stream Double Robe Hook Sep. 21, 2020,
<https://www.taymor.com/en/products/bathware/slip-stream-double-robe-hook-0> (Year: 2020).*

Taymor website, Slip stream Hand Towel Bar, Sep. 21, 2020,
<https://www.taymor.com/en/products/bathware/slip-stream-hand-towel-bar-0> (Year: 2020).*

U.S. Appl. No. 29/772,055, Non-Final Office Action dated May 6, 2021.

* cited by examiner

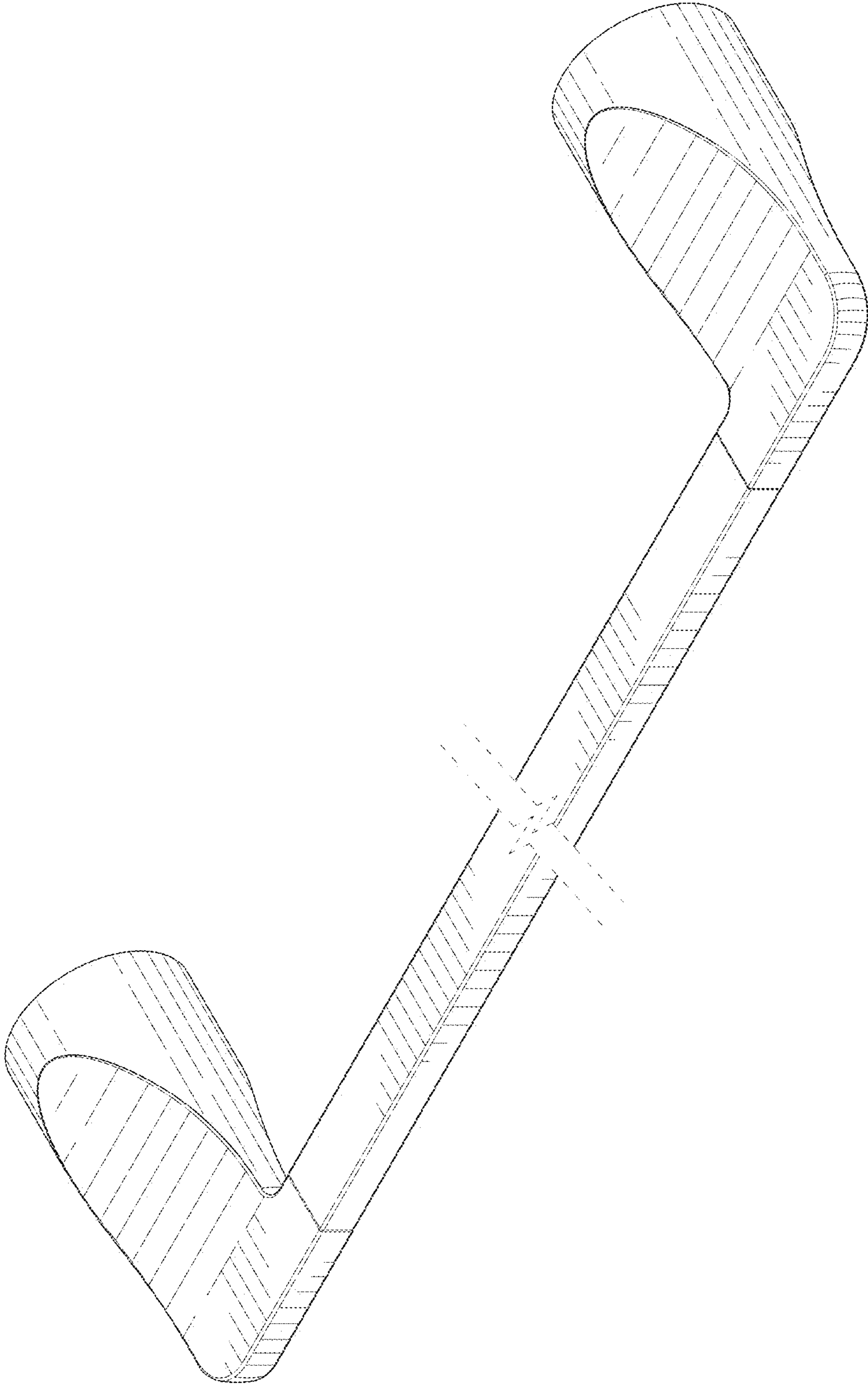


FIG.1

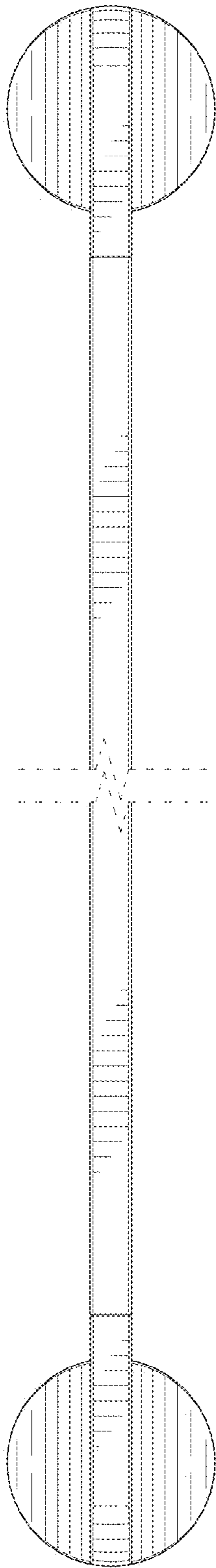


FIG. 2

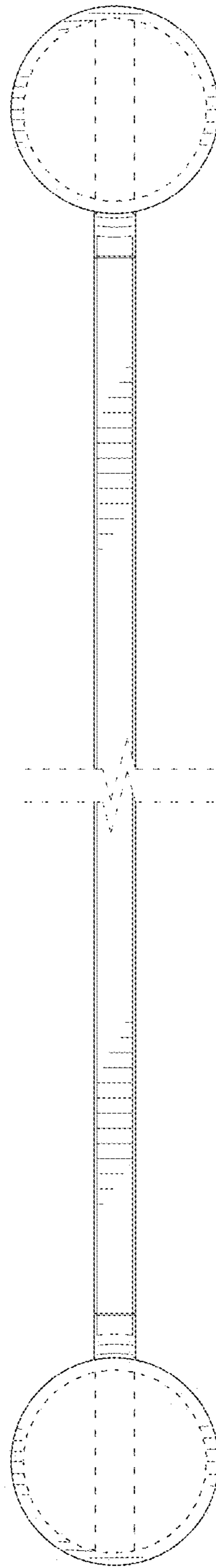


FIG. 3

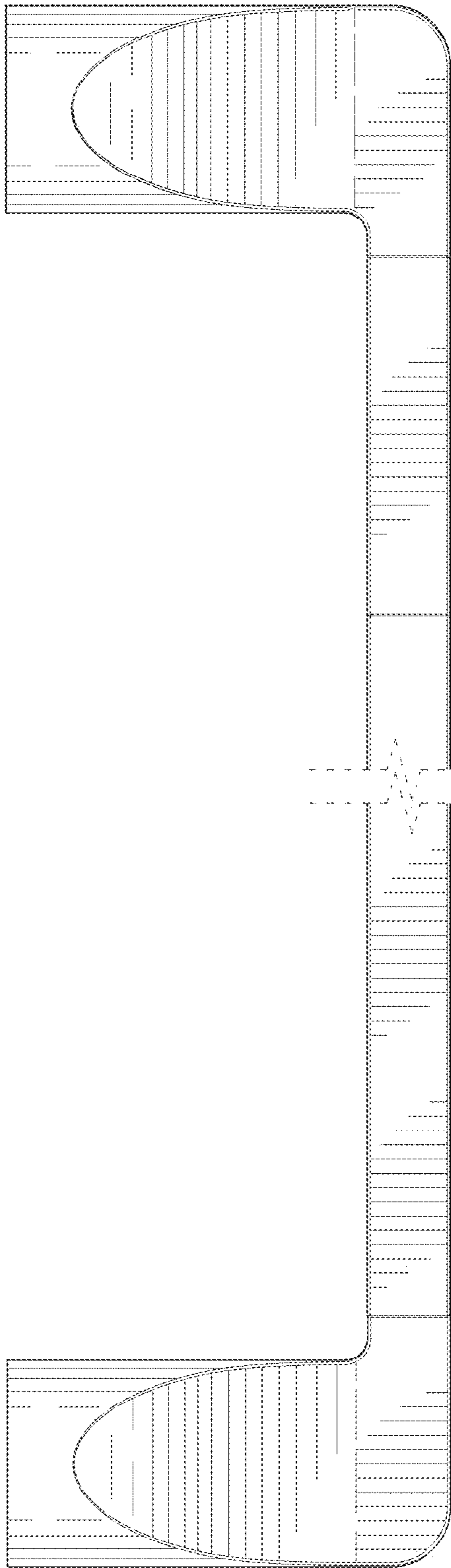


FIG.4

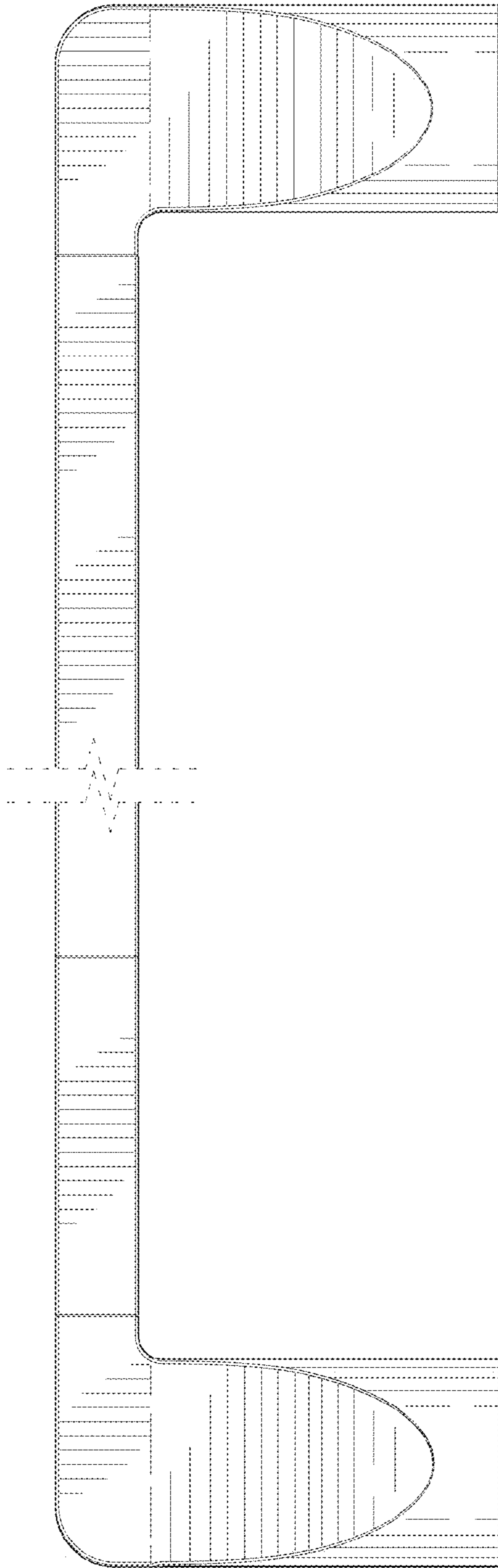


FIG.5

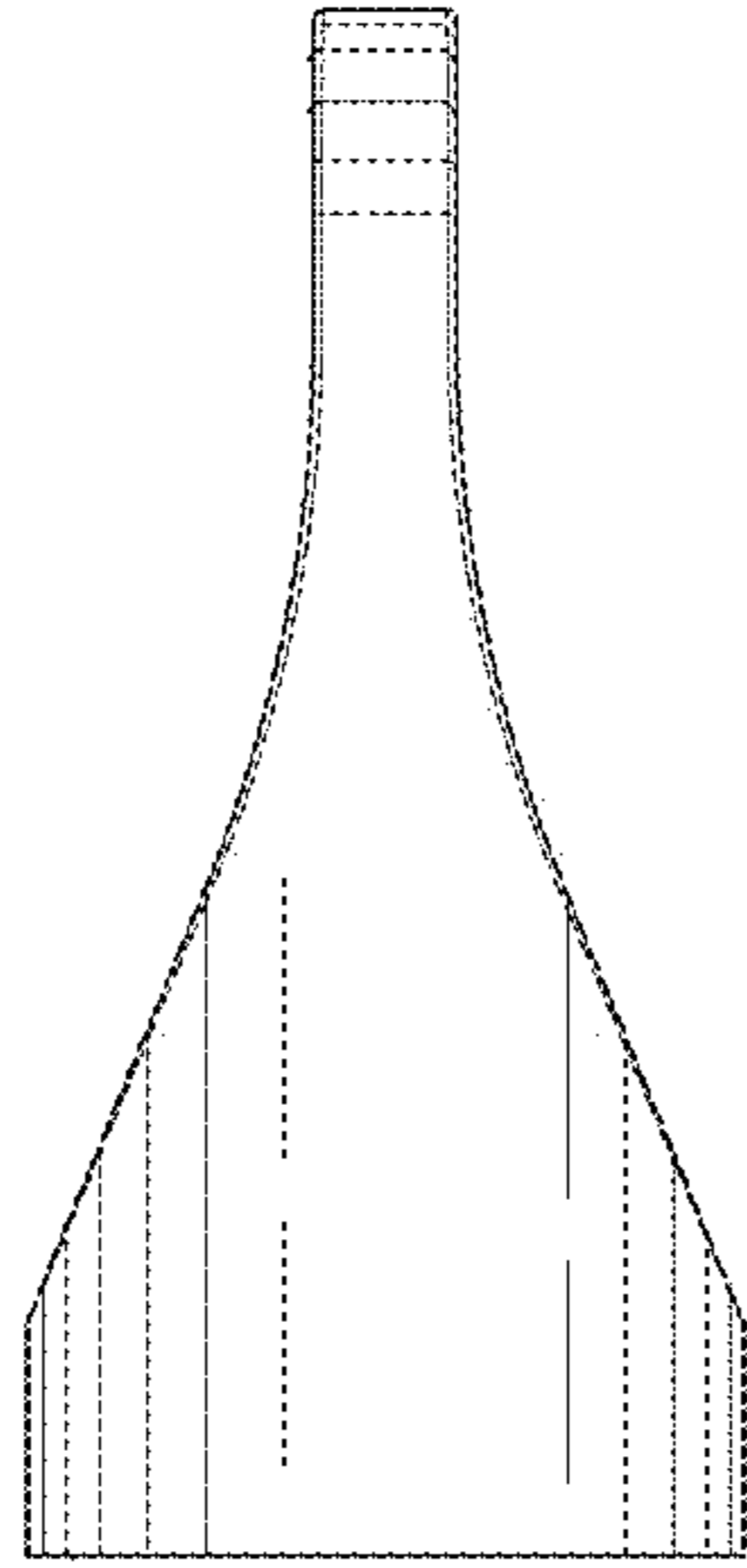


FIG. 7

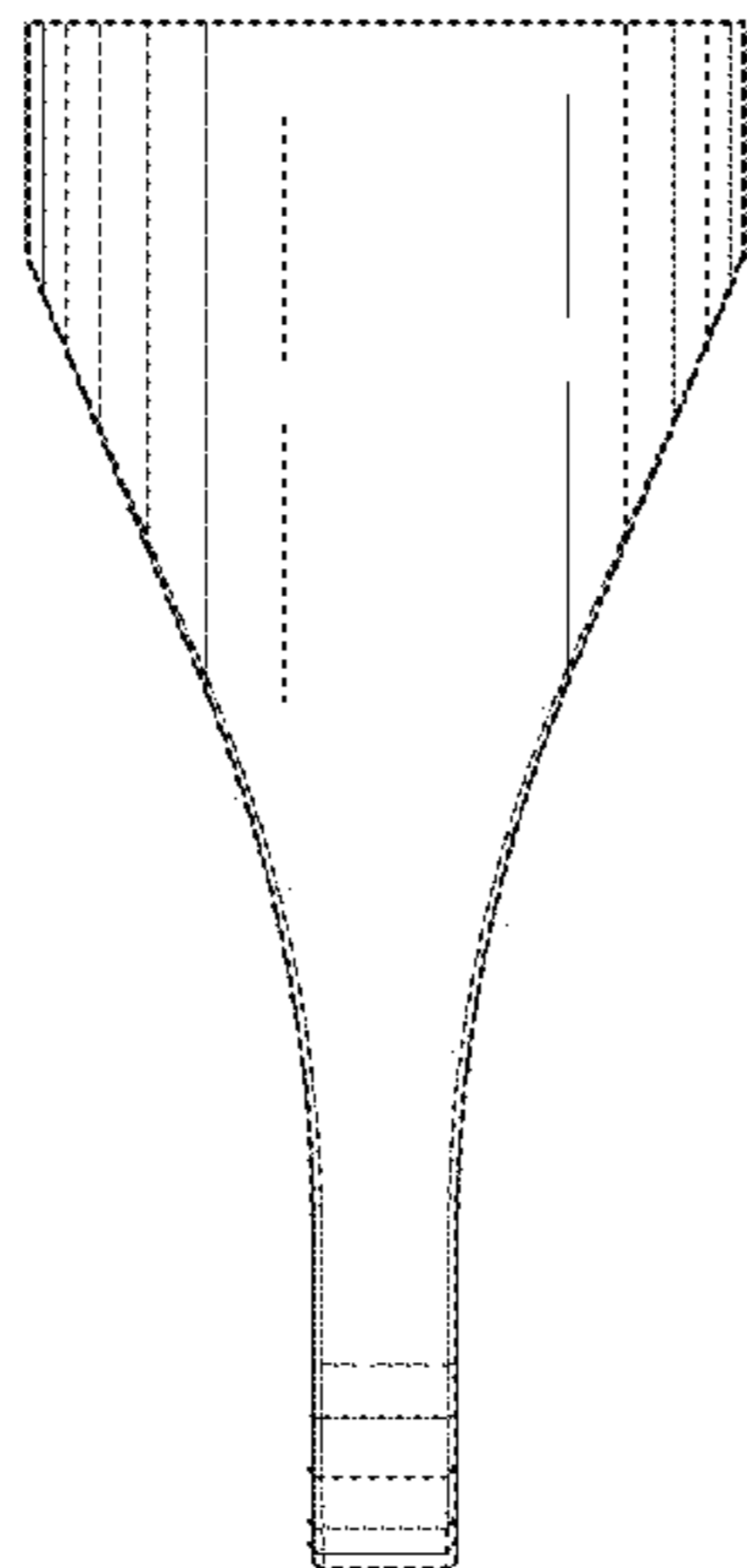


FIG. 6