



US00D935217S

(12) **United States Design Patent**
Hyun

(10) **Patent No.:** **US D935,217 S**

(45) **Date of Patent:** **** Nov. 9, 2021**

(54) **CRADLE FOR ELECTRIC TOOTHBRUSH**

(71) Applicant: **Jin Sook Hyun**, Seoul (KR)

(72) Inventor: **Jin Sook Hyun**, Seoul (KR)

(**) Term: **15 Years**

(21) Appl. No.: **29/696,171**

(22) Filed: **Jun. 25, 2019**

(30) **Foreign Application Priority Data**

Dec. 26, 2018 (KR) 30-2018-0061497

(51) **LOC (13) Cl.** **06-04**

(52) **U.S. Cl.**
USPC **D6/528; D4/113**

(58) **Field of Classification Search**
USPC D13/103, 108; D6/524, 526, 527, 528,
D6/534; D11/90; D4/104, 108, 113,
D4/199; 211/65

CPC A46B 17/00; A47K 1/09
See application file for complete search history.

(56) **References Cited**

U.S. PATENT DOCUMENTS

- 2,463,668 A * 3/1949 Wright A47K 1/09
211/65
- 5,115,649 A * 5/1992 Amber A44C 17/04
63/26
- 5,437,167 A * 8/1995 Ambar A44C 17/005
29/10
- D460,014 S * 7/2002 Williams D11/1
- D613,199 S * 4/2010 Schneider D11/90
- D644,554 S * 9/2011 Ehrenstrasser D11/90
- D702,632 S * 4/2014 Salmon D13/108

- D742,823 S * 11/2015 Nitz D13/108
- D778,826 S * 2/2017 Broadhurst, IV D13/107
- D830,219 S * 10/2018 Dabakarov D11/26
- D831,525 S * 10/2018 Douglas D11/90
- D862,280 S * 10/2019 Parikh D11/90
- D900,636 S * 11/2020 Hyun D9/711
- D913,222 S * 3/2021 Albay D13/108
- 2008/0053148 A1 * 3/2008 Cohen A44C 17/002
63/26

* cited by examiner

Primary Examiner — Karen E Eldridge Powers

(74) *Attorney, Agent, or Firm* — Revolution IP, PLLC

(57) **CLAIM**

The ornamental design for a cradle for electric toothbrush, as shown and described.

DESCRIPTION

FIG. 1 is a perspective view of a cradle for electric toothbrush showing my new design;
 FIG. 2 is a front elevation view thereof;
 FIG. 3 is a rear elevation view thereof;
 FIG. 4 is a left side elevation view thereof;
 FIG. 5 is a right side elevation view thereof;
 FIG. 6 is a top plan view thereof;
 FIG. 7 is a bottom plan view thereof; and,
 FIG. 8 is an exploded figure, showing the cradle for electric toothbrush aligned with its corresponding toothbrush and toothbrush case.

The element shown in broken lines in the drawing figures illustrate environmental structure and form no part of the claimed design.

1 Claim, 8 Drawing Sheets

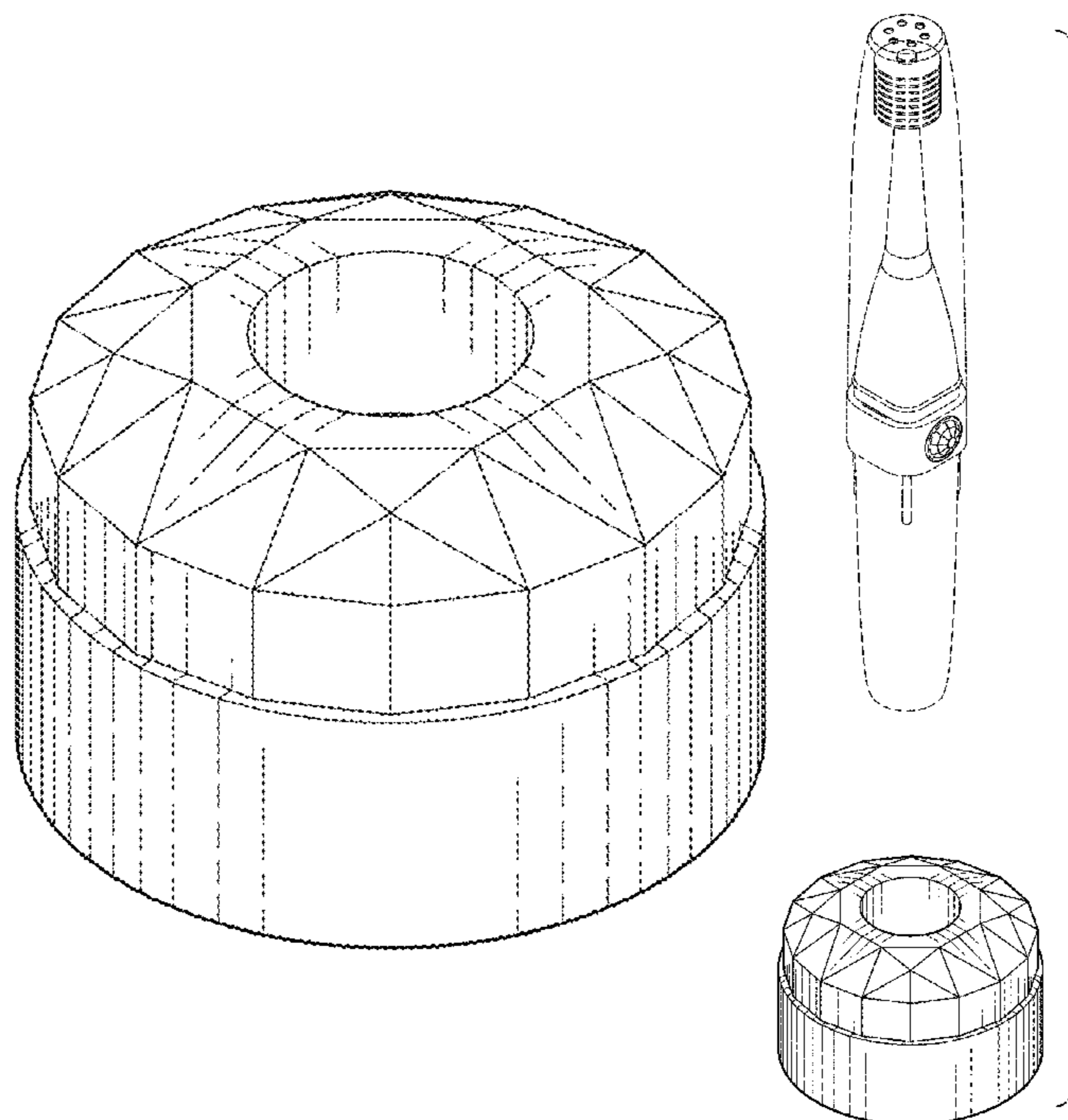


FIG. 1

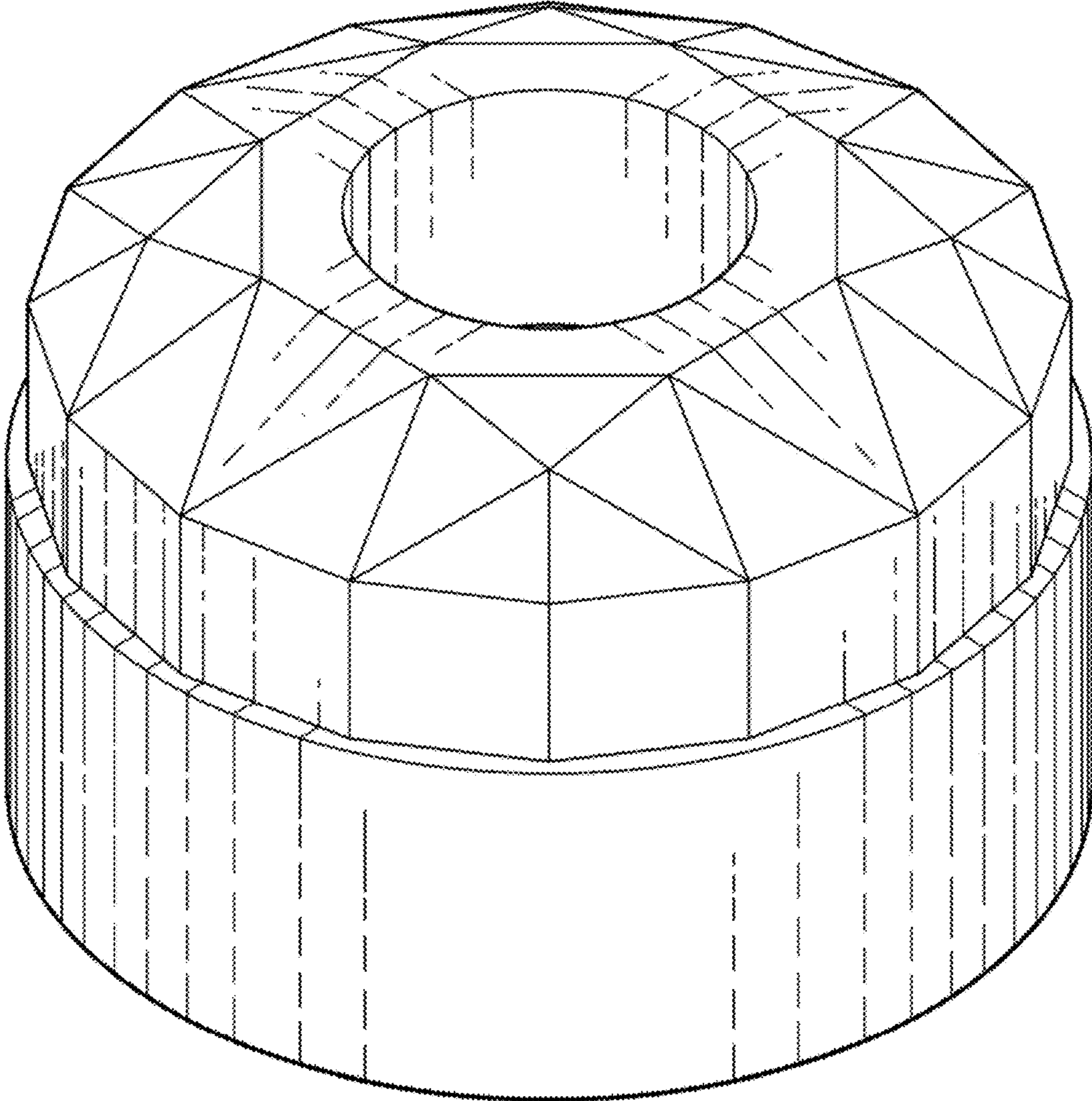


FIG. 2

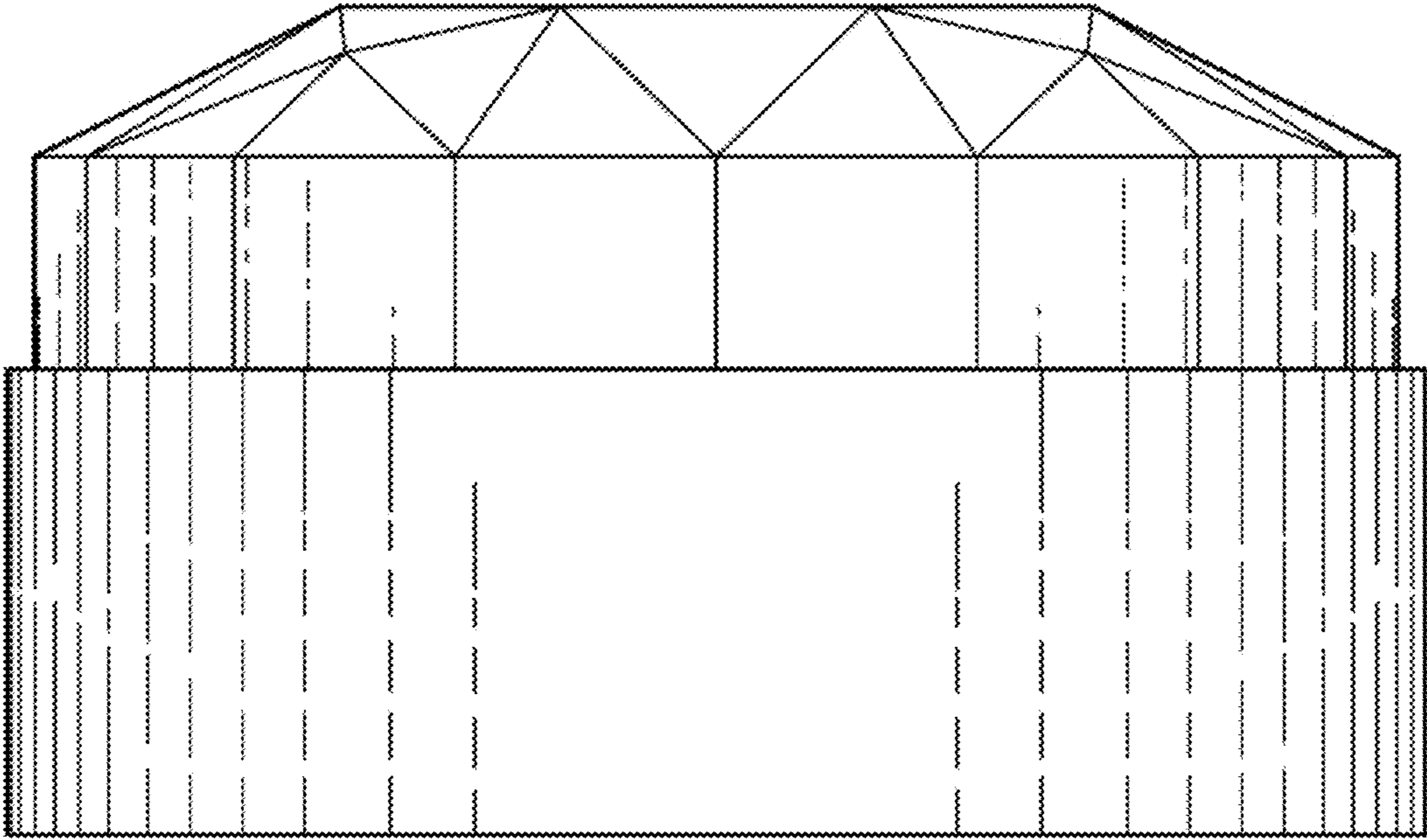


FIG. 3

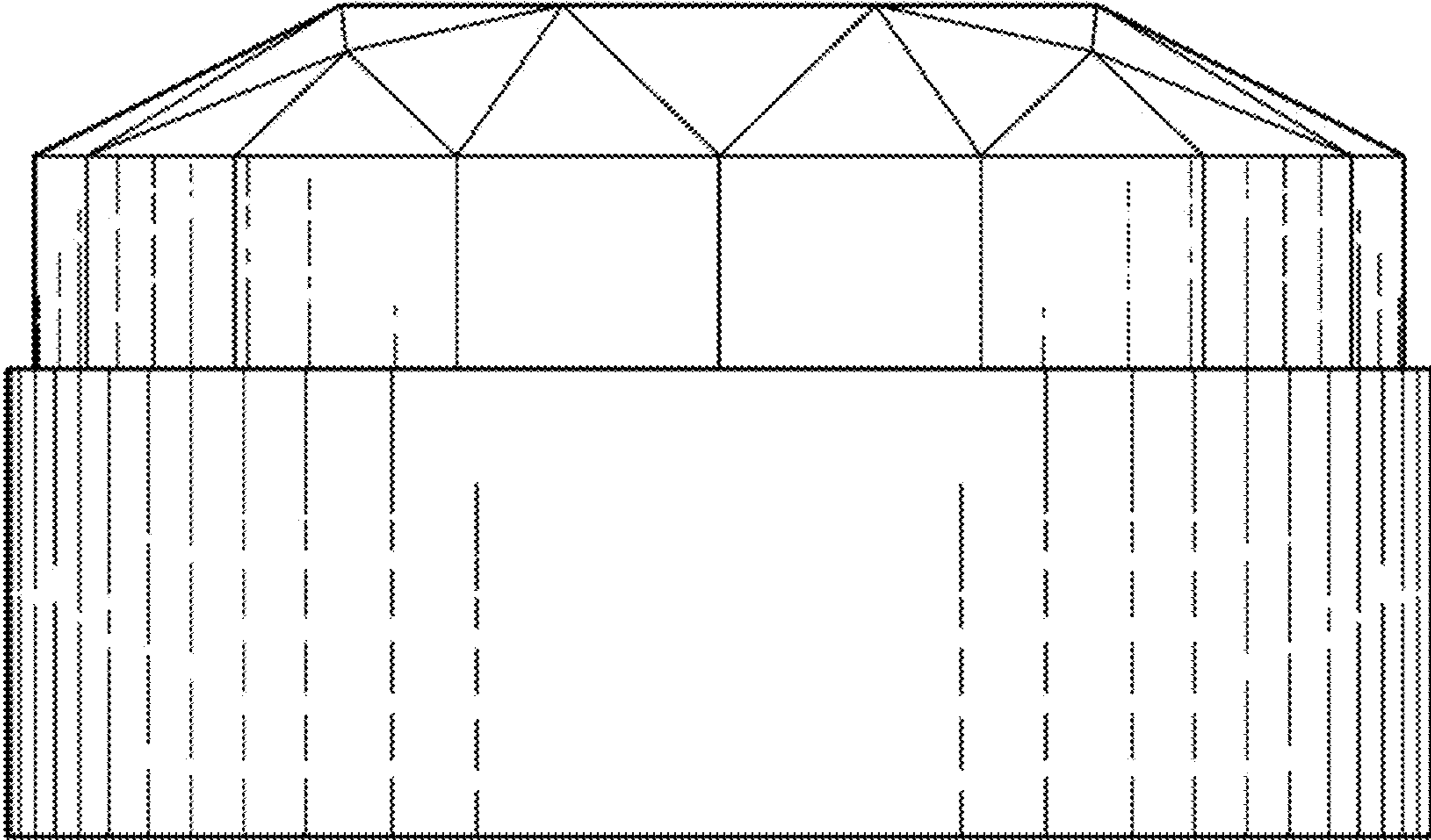


FIG. 4

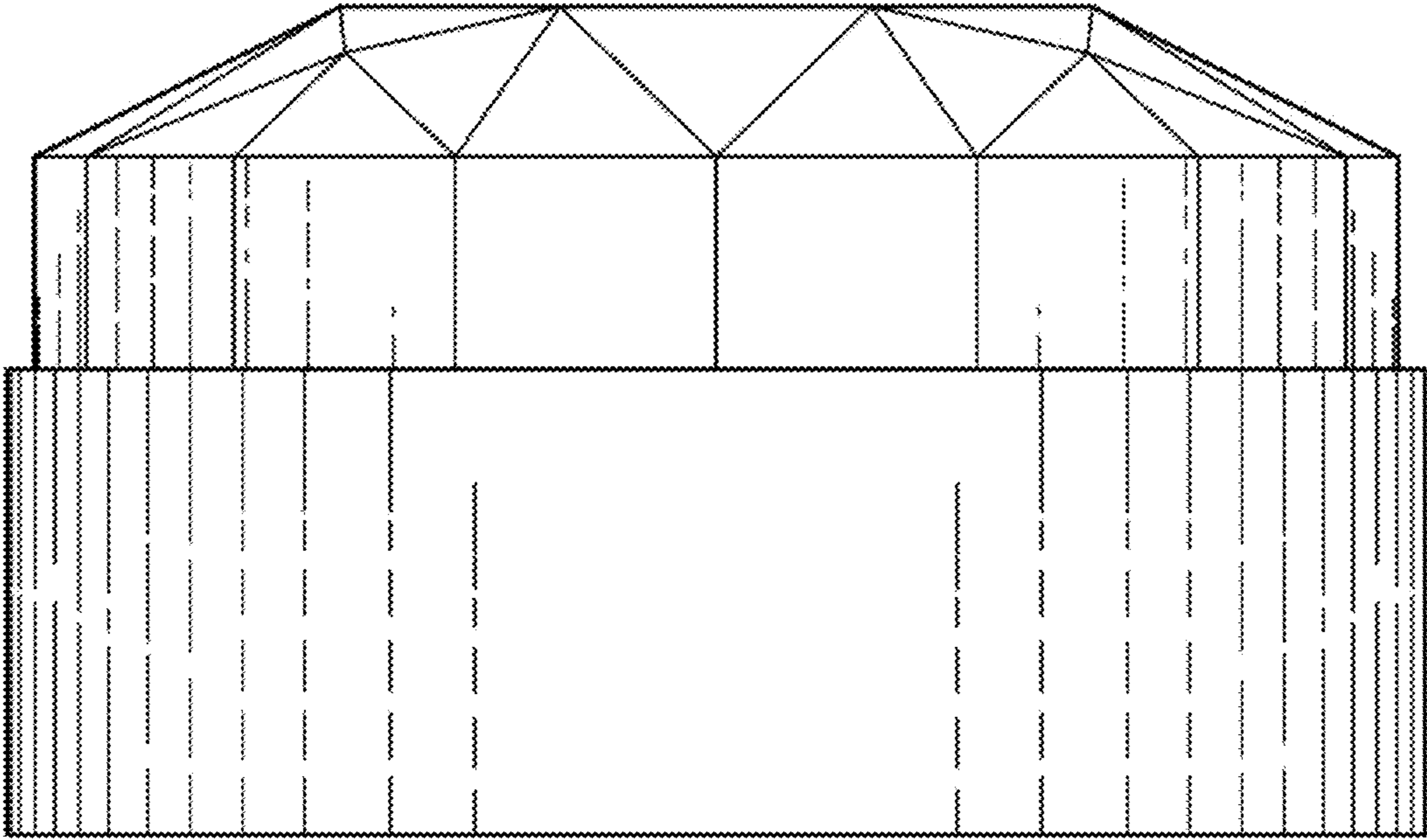


FIG. 5

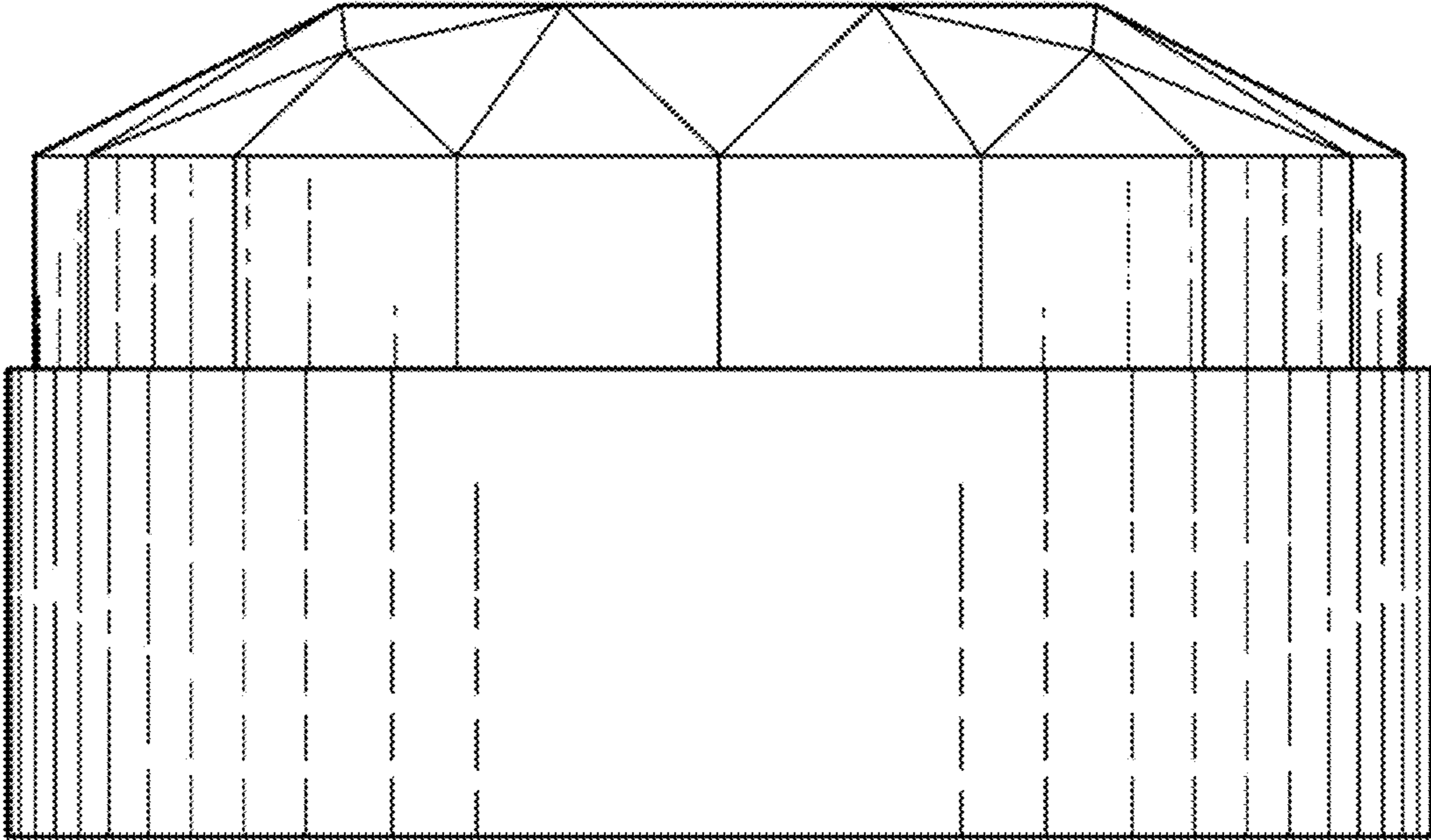


FIG. 6

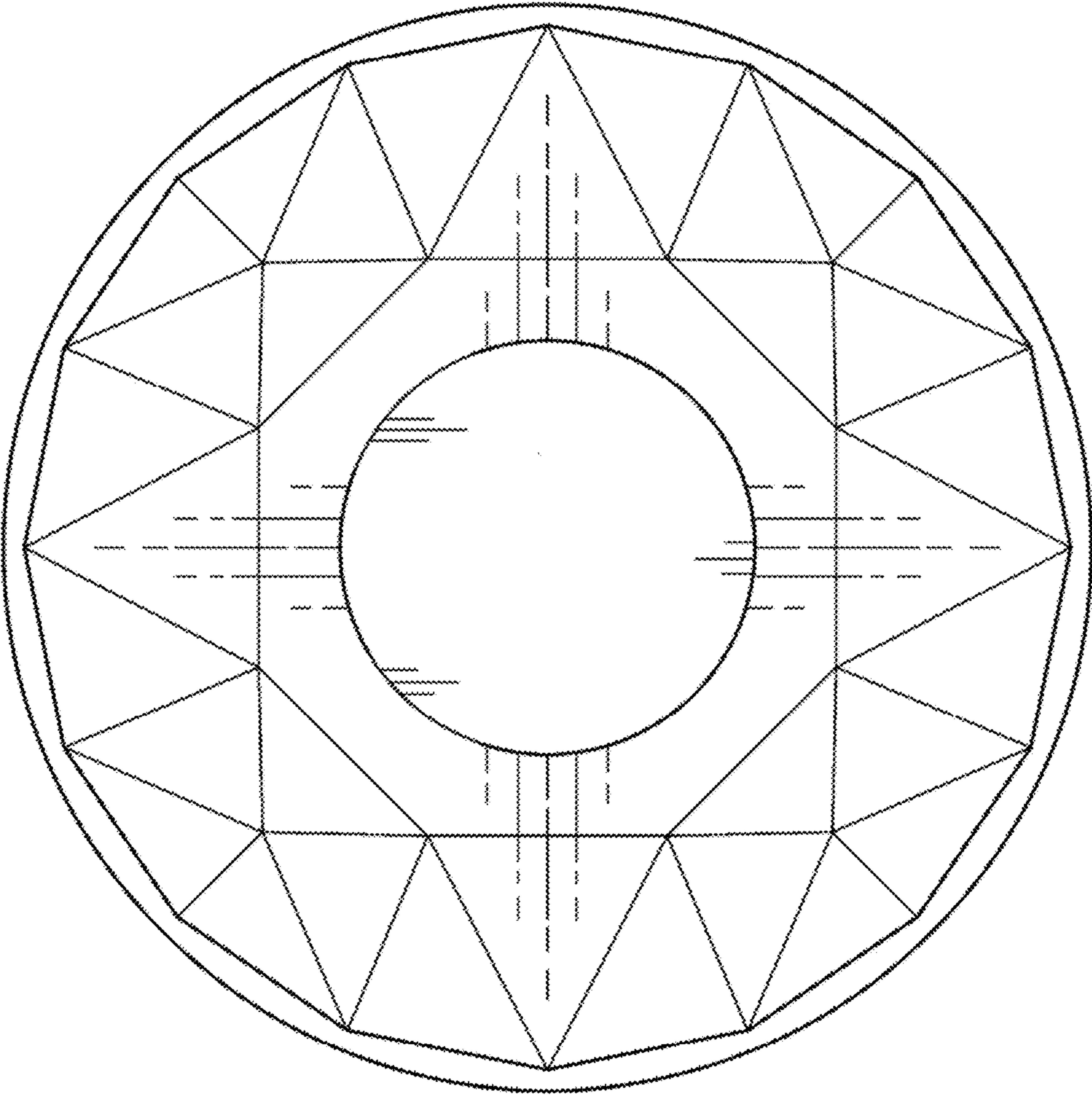


FIG. 7

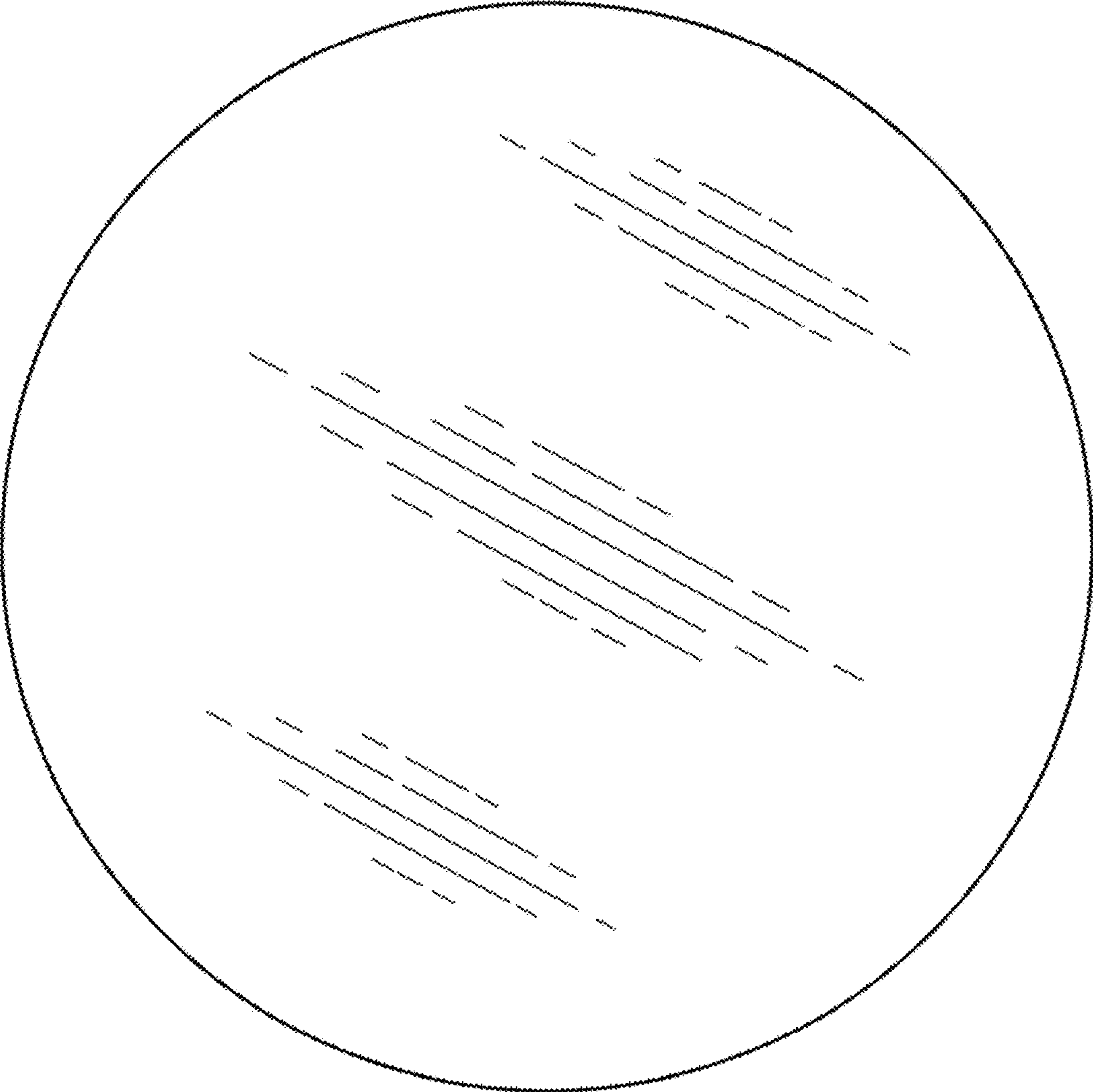


FIG. 8

