



US00D935212S

(12) **United States Design Patent** (10) **Patent No.:** **US D935,212 S**
Chuah (45) **Date of Patent:** **** *Nov. 9, 2021**

(54) **ADJUSTABLE CHAIR** 4,502,564 A * 3/1985 Kummerlin E06C 1/16
182/161
(71) Applicant: **Khai Gan Chuah**, Austin, TX (US) 5,937,968 A * 8/1999 Gibson E06C 1/393
182/165
(72) Inventor: **Khai Gan Chuah**, Austin, TX (US) 6,386,627 B1 * 5/2002 Tsai A47C 4/24
297/16.1
(*) Notice: This patent is subject to a terminal disclaimer. D501,613 S * 2/2005 Kaltenmark D6/368
D504,787 S * 5/2005 Shin D6/368
6,890,026 B1 * 5/2005 Shin A47C 4/00
182/33
(**) Term: **15 Years** D506,325 S * 6/2005 Farber D6/368
D569,118 S * 5/2008 Lin D6/368
D663,539 S * 7/2012 Chuah D6/339
(21) Appl. No.: **29/710,879**
(22) Filed: **Oct. 28, 2019**
(51) **LOC (13) Cl.** **06-01**
(52) **U.S. Cl.**
USPC **D6/368**
(58) **Field of Classification Search**
USPC D6/366, 368, 374, 380, 339, 716.4;
D25/64
CPC A47C 3/04; A47C 4/24; A47C 4/28; A47C
4/38; A47C 7/282; H01J 49/42; H01J
49/063; H01J 49/4215; H01J 49/4255;
Y10T 403/7171; Y10T 403/7194; A47B
83/02; A47D 1/004; A47D 1/0081; A47D
1/002; A47D 1/0085
See application file for complete search history.
(56) **References Cited**
U.S. PATENT DOCUMENTS
2,031,119 A * 2/1936 Moreland A63B 55/10
297/188.04
D107,545 S * 12/1937 O'Connor D6/368
2,364,093 A * 12/1944 O'Connor A47C 7/26
297/452.21
2,364,647 A * 12/1944 O'Connor A47C 7/26
297/452.33
2,753,922 A * 7/1956 Grimland A47C 4/24
297/58
2,757,715 A * 8/1956 Hendrickson A47C 4/24
297/58
3,001,816 A * 9/1961 Clarin A47C 4/24
297/56
(Continued)

OTHER PUBLICATIONS

“Abie Beyond Wooden High Chair with Tray . . .” Jun. 14, 2015, amazon.com, site visited May 17, 2021 <https://www.amazon.com/Abie-Adjustable-Highchair-Solution-Toddlers/dp/B00BSD7PXI/ref=cm_cr_arp_d_product_top?ie=UTF8> (Year: 2015).*

Primary Examiner — Kevin K Rudzinski
Assistant Examiner — Paul D Bohannon
(74) *Attorney, Agent, or Firm* — John Rizvi; John Rizvi, P.A.

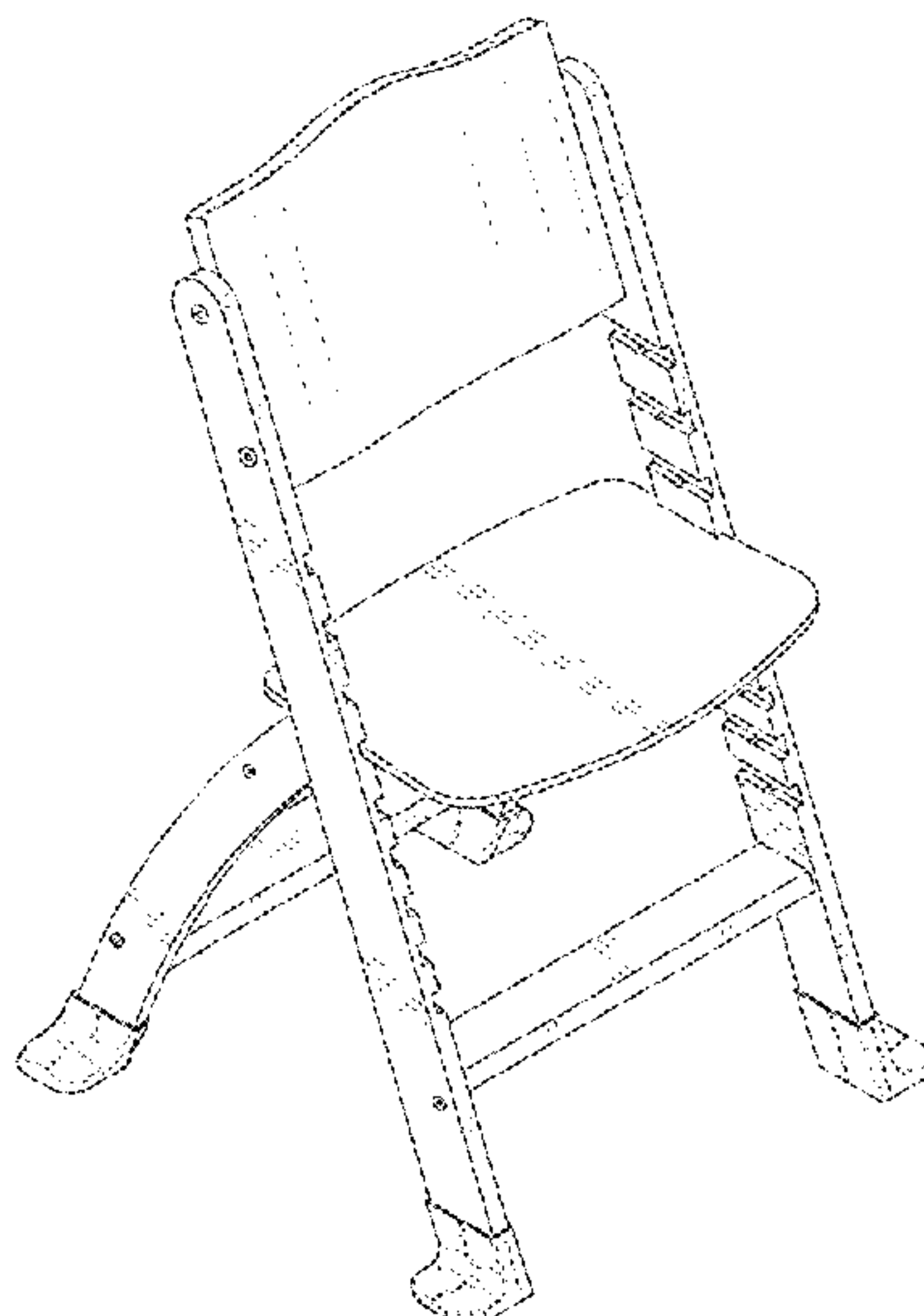
(57) **CLAIM**

The ornamental design for an adjustable chair, as shown.

DESCRIPTION

FIG. 1 is a front and left side perspective view of an adjustable chair showing my new design;
FIG. 2 is a front and right side perspective view thereof;
FIG. 3 is a left view thereof;
FIG. 4 is a right view thereof;
FIG. 5 is a front view thereof;
FIG. 6 is a rear view thereof;
FIG. 7 is a top view thereof; and,
FIG. 8 is a bottom view thereof.

1 Claim, 8 Drawing Sheets



(56)

References Cited

U.S. PATENT DOCUMENTS

D668,068 S *	10/2012	Chuah	D6/339
D779,842 S *	2/2017	Chuah	D6/339
D780,498 S *	3/2017	Chuah	D6/716.4
D839,650 S *	2/2019	Winter	D6/716
2004/0004371 A1 *	1/2004	Noor	A47C 4/10 297/58

* cited by examiner

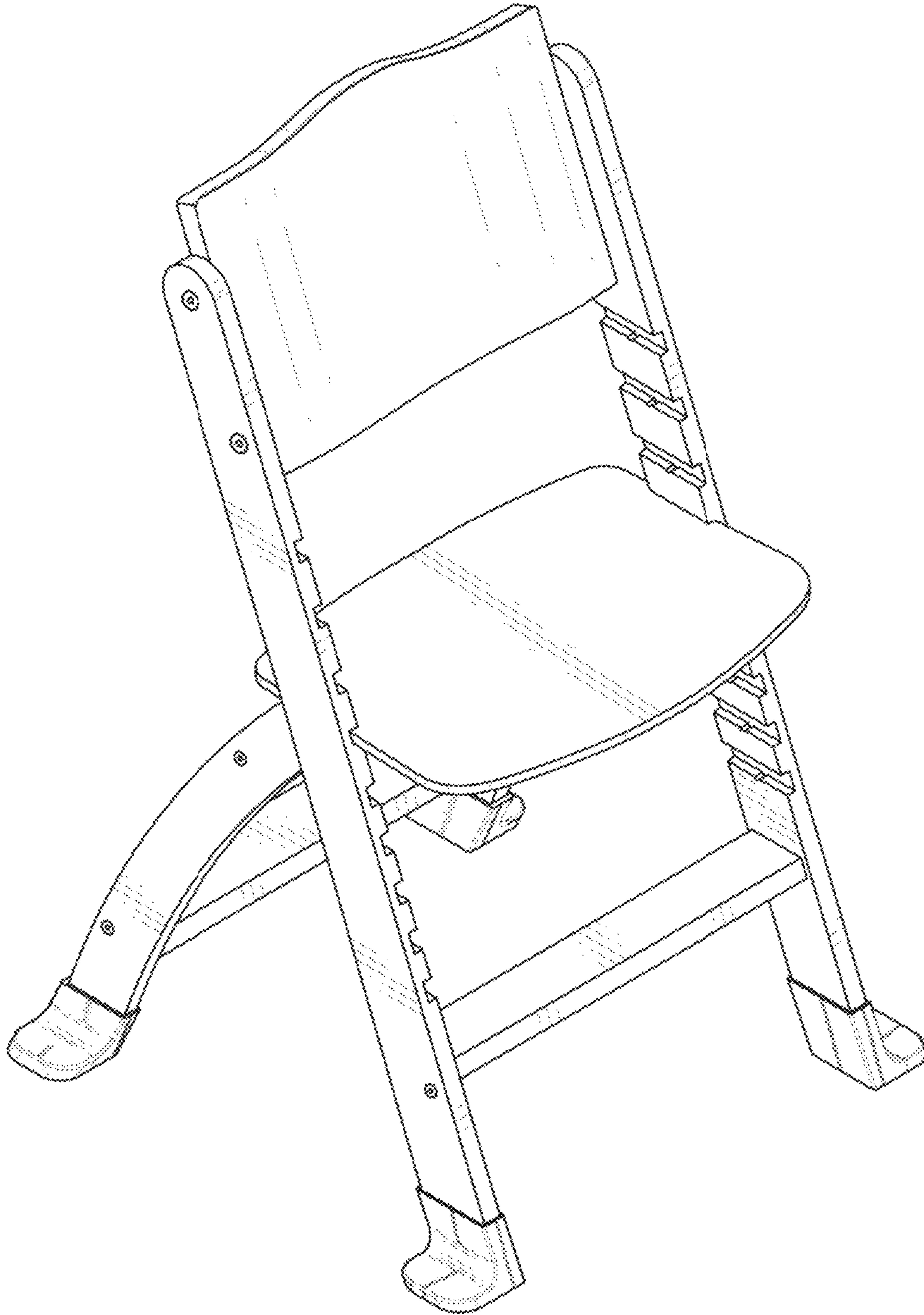


FIG. 1

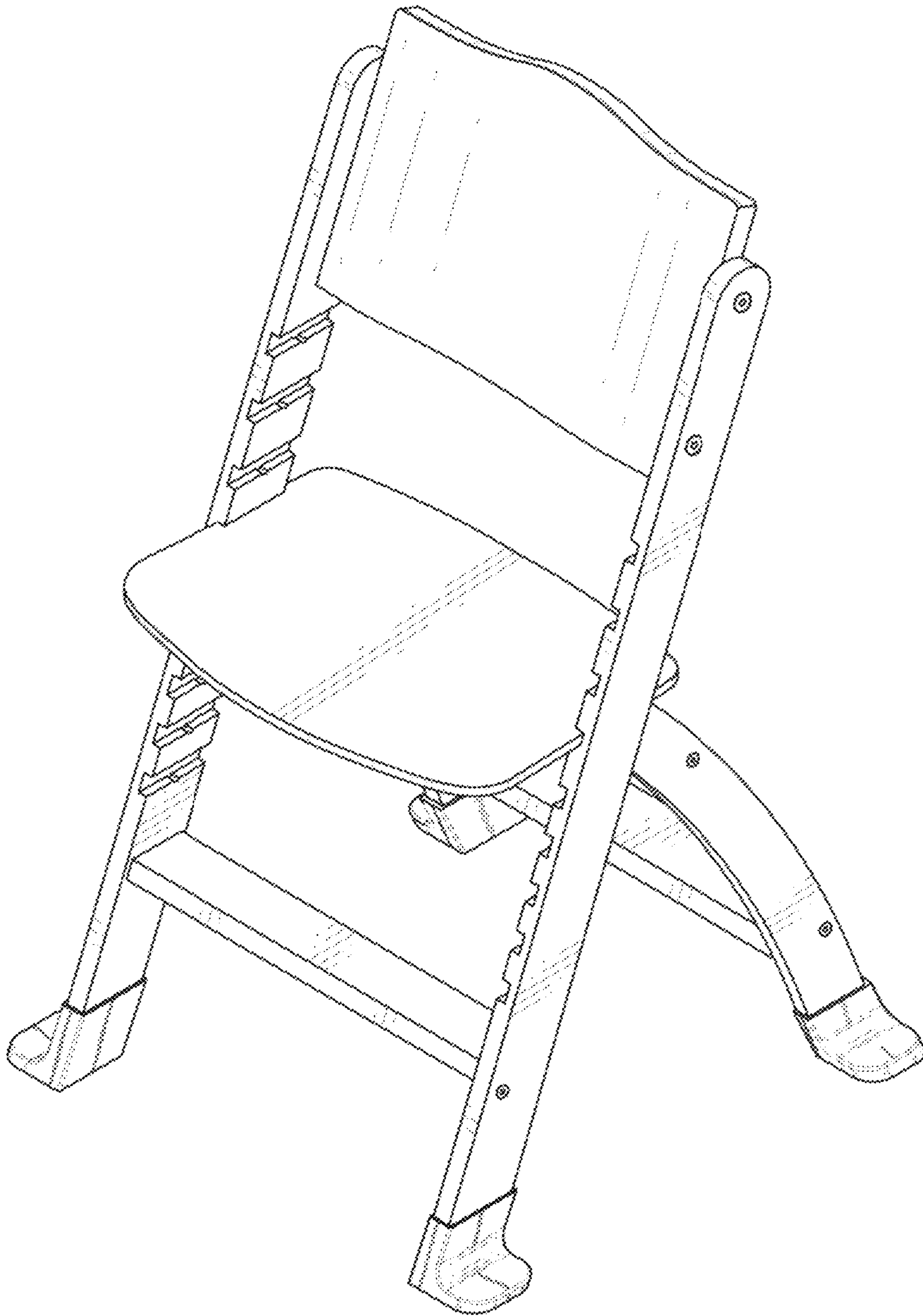


FIG. 2

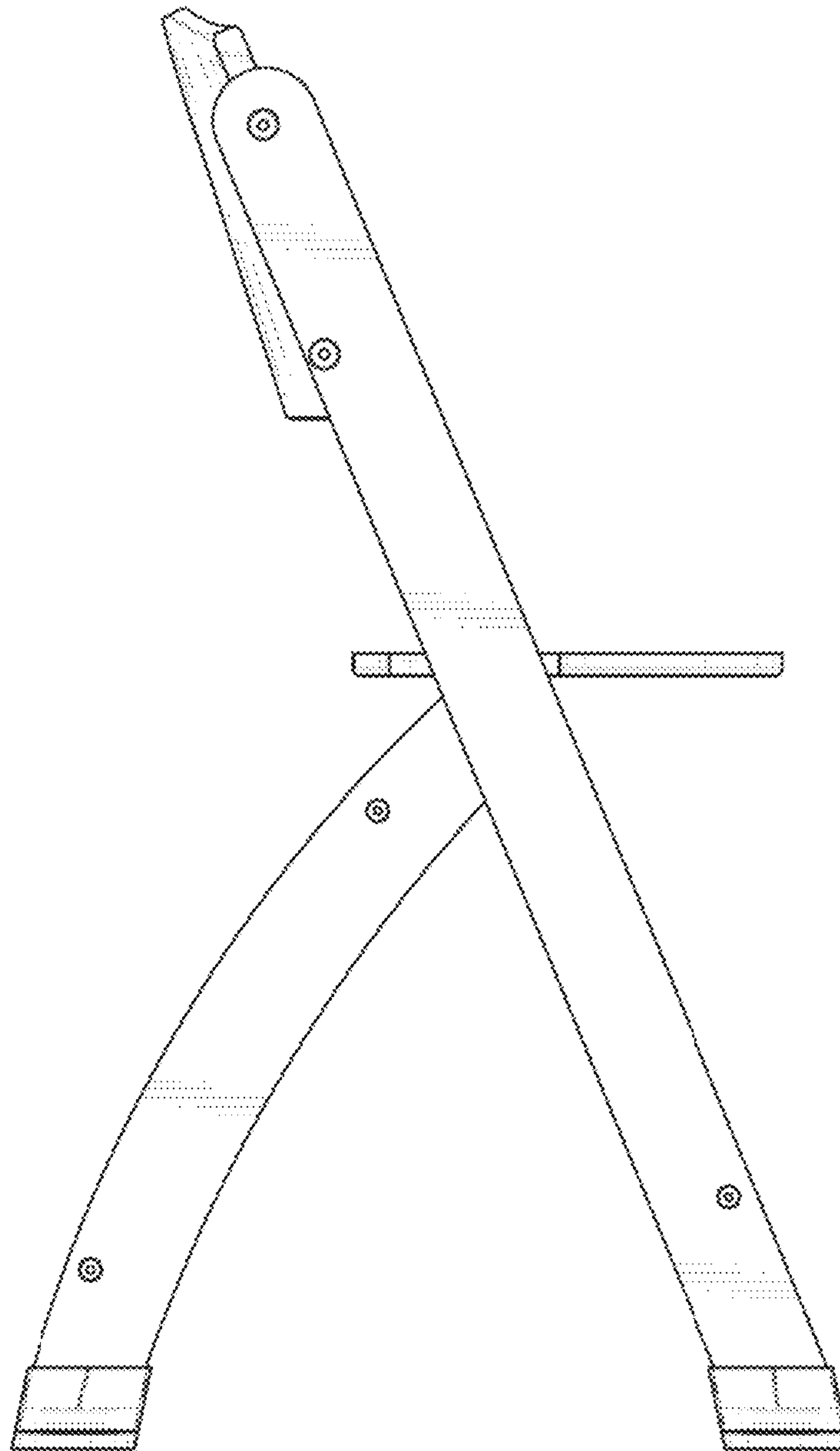


FIG. 3

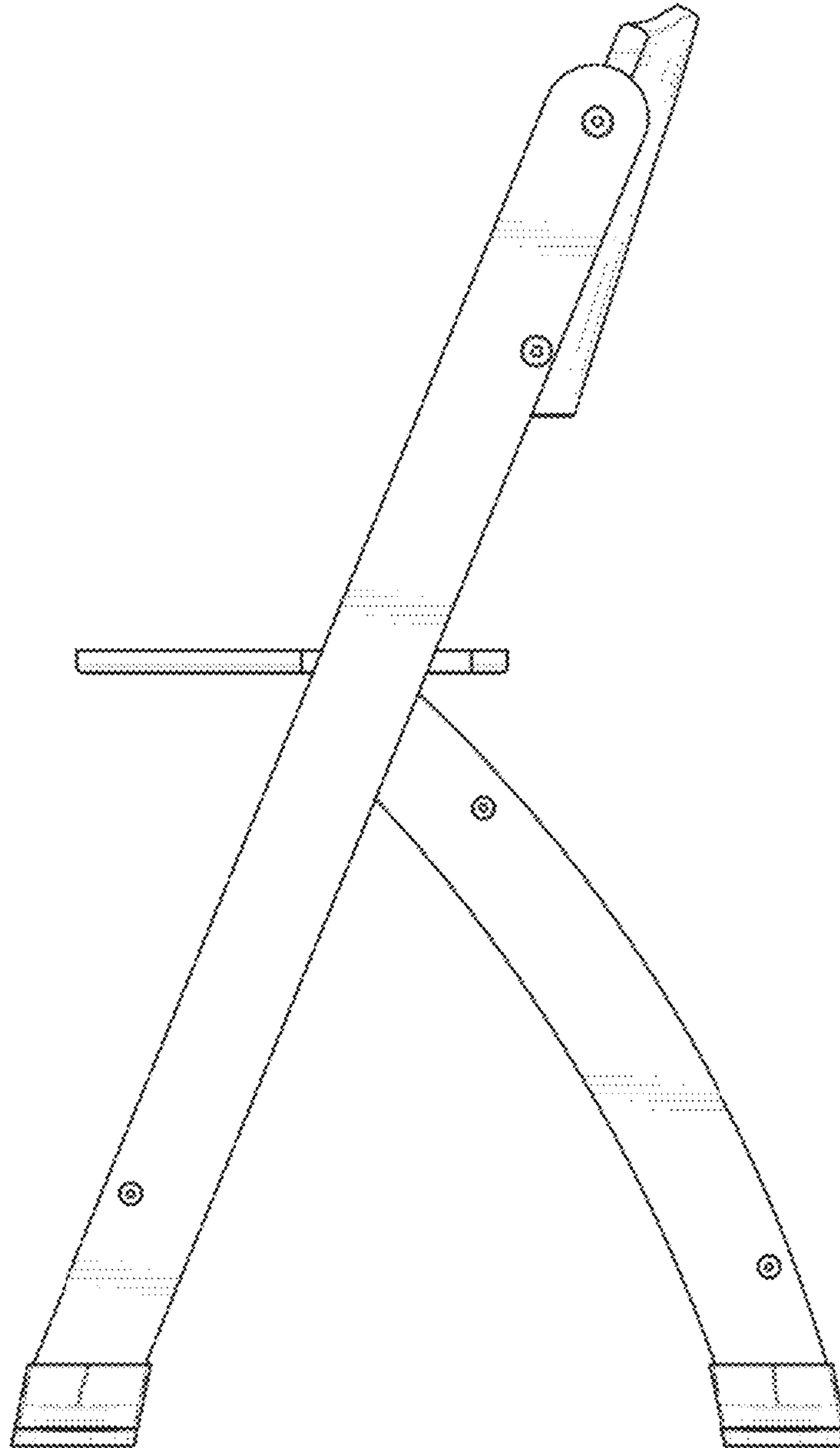


FIG. 4

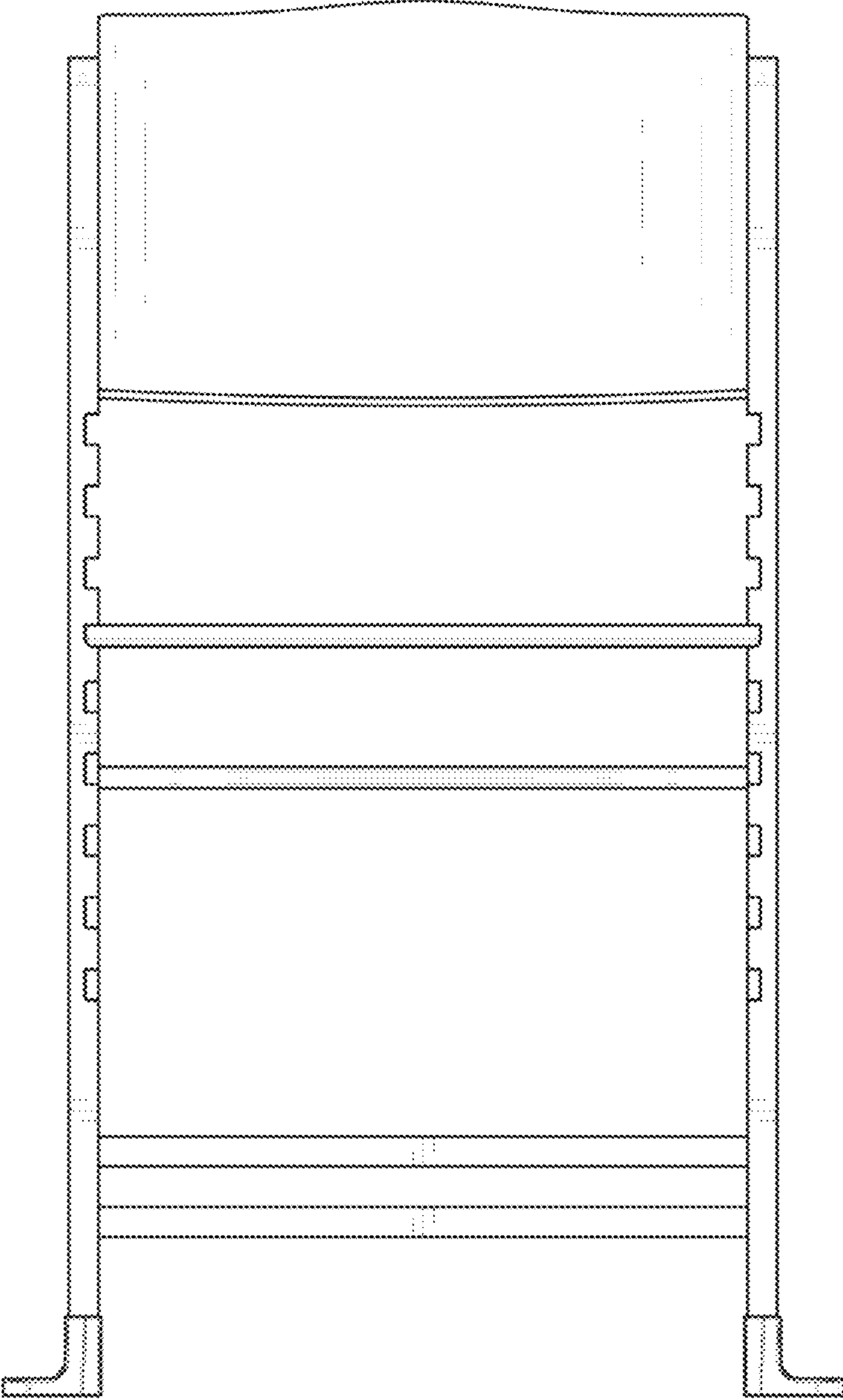


FIG. 5

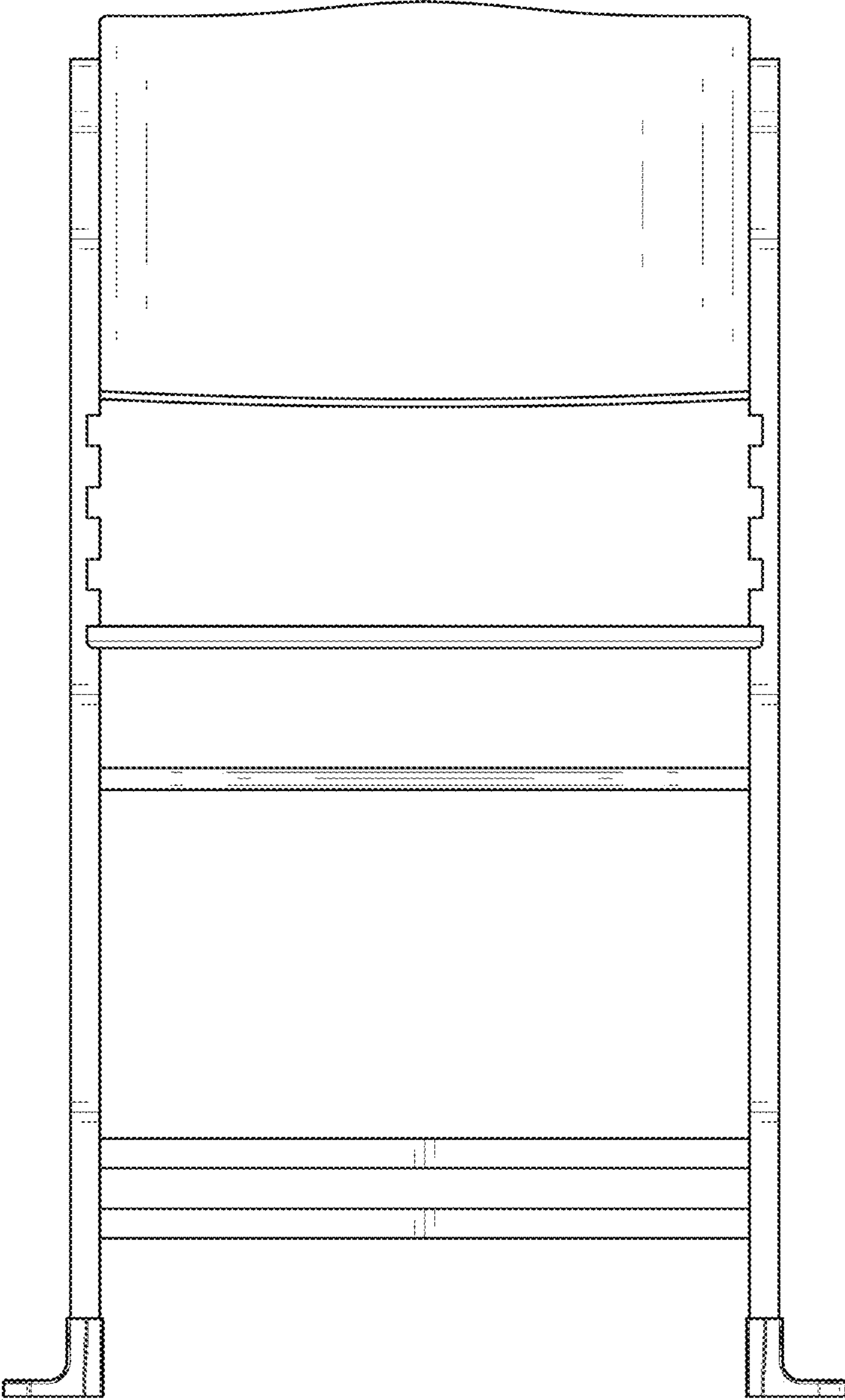


FIG. 6

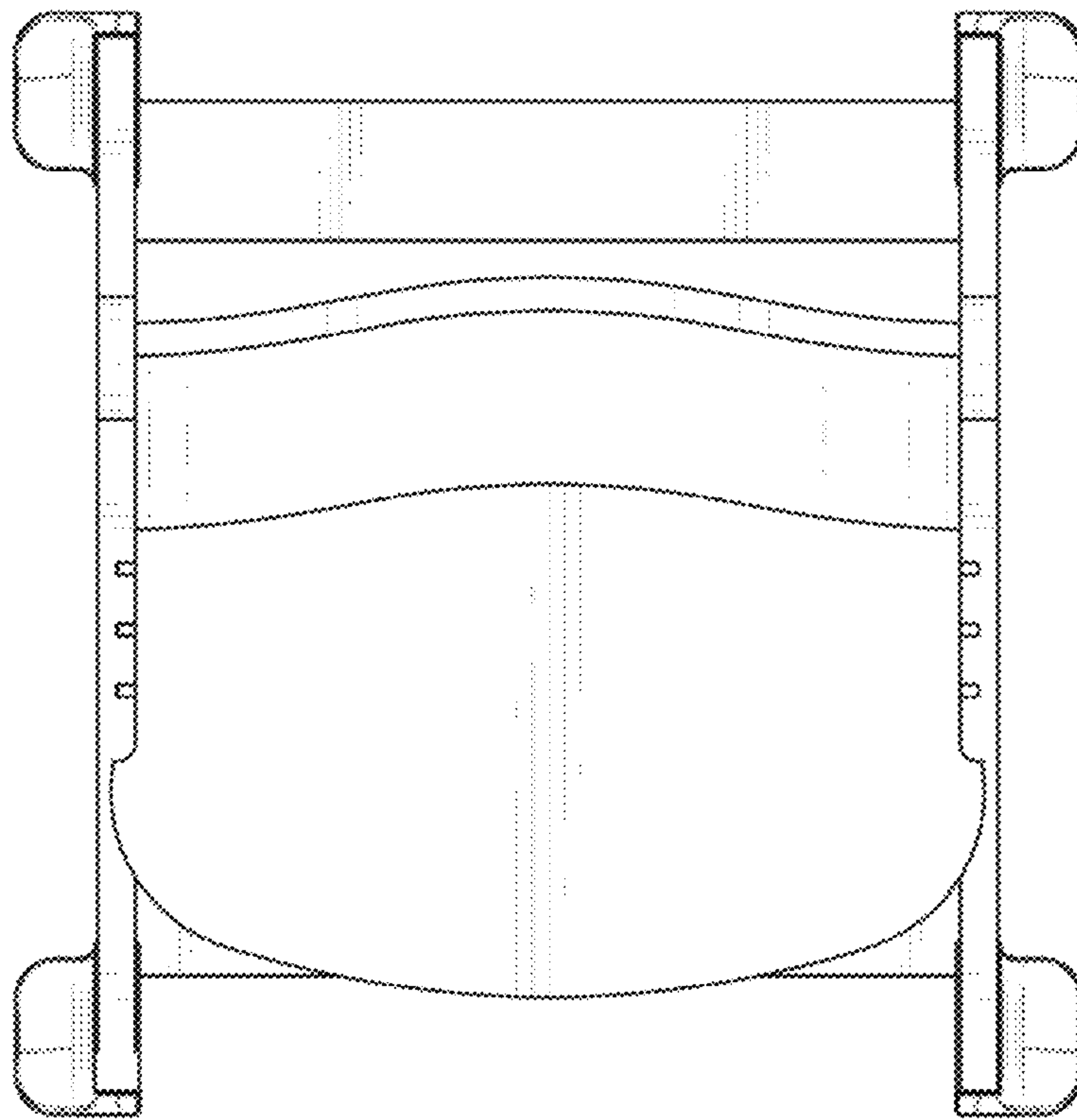


FIG. 7

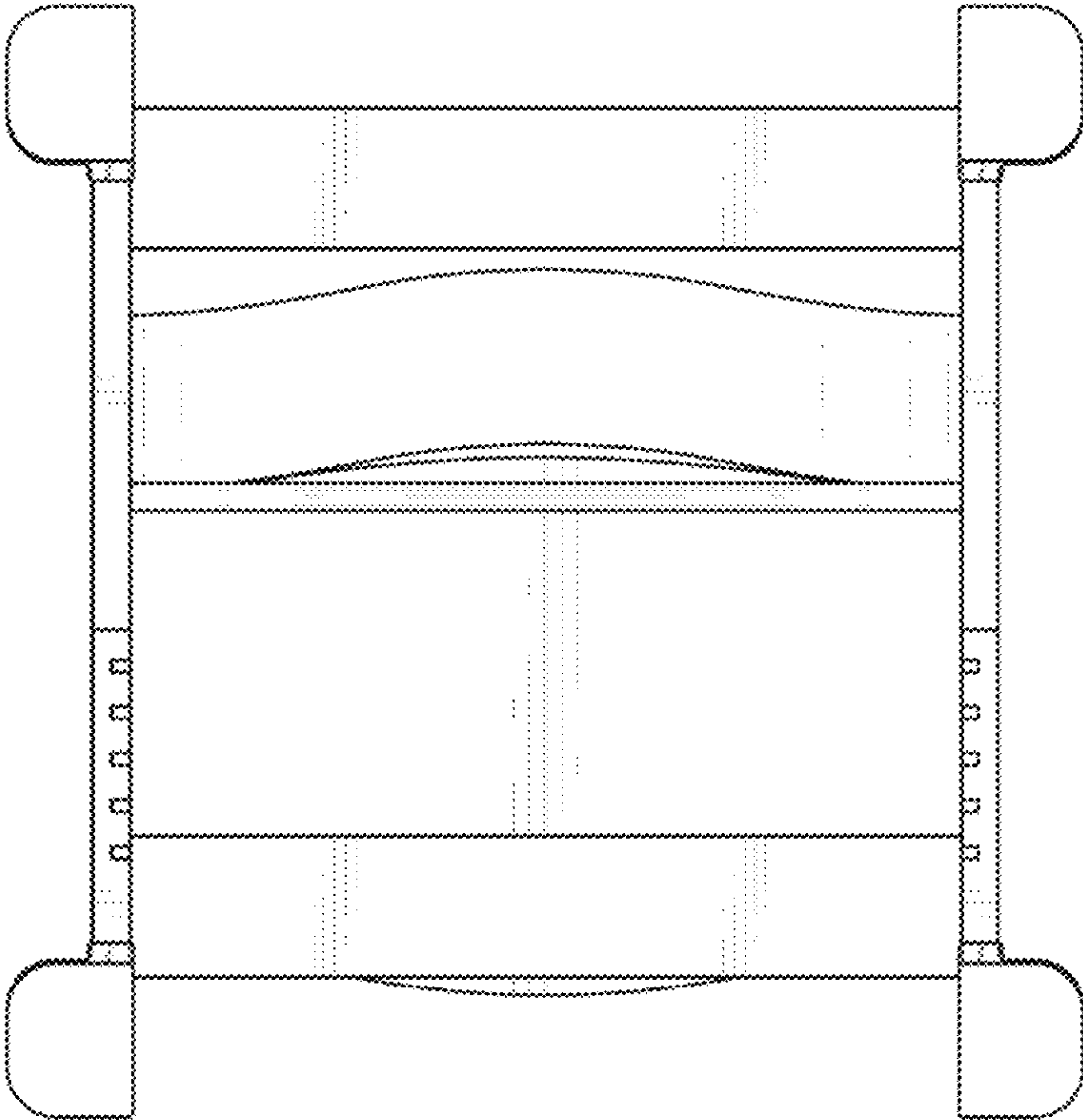


FIG. 8