



US00D935211S

(12) **United States Design Patent** (10) **Patent No.:** **US D935,211 S**
Chen (45) **Date of Patent:** **** Nov. 9, 2021**

(54) **CHAIR**

(71) Applicant: **Nanjing Kekang Outdoor Products Co., Ltd., Nanjing (CN)**

(72) Inventor: **Meidi Chen, Nanjing (CN)**

(73) Assignee: **Nanjing Kekang Outdoor Products Co., Ltd, Nanjing (CN)**

(**) Term: **15 Years**

(21) Appl. No.: **29/682,024**

(22) Filed: **Mar. 1, 2019**

(51) **LOC (13) Cl.** **06-01**

(52) **U.S. Cl.**
USPC **D6/368**

(58) **Field of Classification Search**
USPC D6/335, 367, 368, 716, 716.4; D21/521
CPC A47B 5/00; A47C 1/02; A47C 1/14; A47C 1/03244; A47C 1/032; A47C 3/18; A47C 4/20; A47C 4/28; A47C 4/30; A47C 4/42; A47C 4/46; A47C 4/54; A47C 4/286; A47C 7/06; A47C 7/24; A47C 7/66; A47C 7/68; A47C 7/62; A47C 7/624; A47C 7/622; A47C 7/407; A47C 7/425; A47C 9/06; A47C 9/00; A47C 9/10; A47C 9/105; A47C 11/00; A47C 11/005; A47C 15/00; A47C 21/00; A47C 31/00; A01M 31/00; A01M 31/02; A01M 31/025; A45F 3/22; A45F 3/24; A47G 9/06; A61G 7/10; A63B 63/00; B60N 2/04; B25H 1/14; B25H 1/12; B25H 1/04; E04H 15/30; F16M 11/22; F42B 12/38; F41A 23/14; F41A 23/16; F41A 23/18; F41C 27/00; Y10S 135/901

See application file for complete search history.

(56) **References Cited**

U.S. PATENT DOCUMENTS

D432,325 S *	10/2000	Zheng	D6/368
6,899,383 B2 *	5/2005	Hwang	A47C 4/286
				297/16.1
D587,026 S *	2/2009	Earl	D6/368
D593,759 S *	6/2009	Oliphant	A47C 4/286
				D6/335
D612,624 S *	3/2010	Lovley	D6/368
D624,326 S *	9/2010	Torres	D6/368
D691,821 S *	10/2013	Mercieca	D6/368
D699,492 S *	2/2014	Day	D6/716
D752,890 S *	4/2016	Akkad	D6/368
D806,423 S *	1/2018	Silva	D6/368
D849,436 S *	5/2019	Zhu	D6/368
10,758,054 B2 *	9/2020	Wang	A47C 11/005
D911,057 S *	2/2021	Jacobsen	D6/368
2004/0066075 A1 *	4/2004	Yeh	A47C 4/46
				297/354.1
2004/0084581 A1 *	5/2004	Chang	B25H 1/14
				248/166

(Continued)

Primary Examiner — Kevin K Rudzinski
Assistant Examiner — Paul D Bohannon
(74) *Attorney, Agent, or Firm* — Bay State IP, LLC

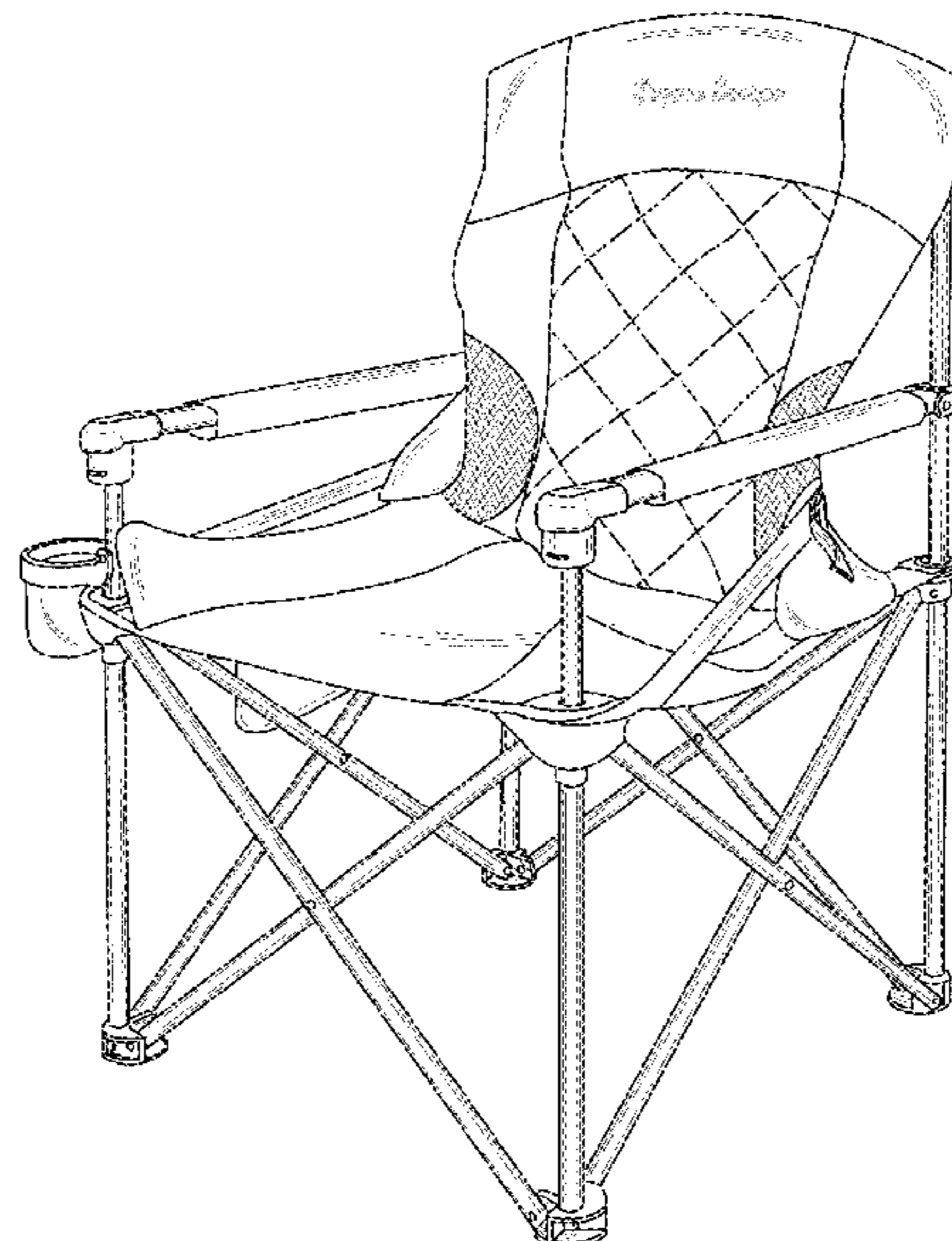
(57) **CLAIM**

The ornamental design for a chair, as shown and described.

DESCRIPTION

FIG. 1 is a perspective view of the chair showing my new design;
FIG. 2 is a front view thereof;
FIG. 3 is a rear view thereof;
FIG. 4 is a top view thereof;
FIG. 5 is a bottom view thereof;
FIG. 6 is a left side view thereof; and,
FIG. 7 is a right side view thereof.
The broken lines shown in the drawings are for the purpose of illustrating portions of the article and form no part of the claimed design.

1 Claim, 7 Drawing Sheets



(56)

References Cited

U.S. PATENT DOCUMENTS

2007/0102974	A1 *	5/2007	Chen	A45C 15/00 297/217.4
2010/0032998	A1 *	2/2010	Eckman	A47C 4/286 297/217.3
2014/0252817	A1 *	9/2014	Lovley, II	A47C 7/66 297/184.15
2016/0113402	A1 *	4/2016	Lee	A47C 4/42 297/16.2
2016/0113403	A1 *	4/2016	Lee	A47C 4/42 297/16.2
2019/0090643	A1 *	3/2019	Mason	A47C 7/142
2019/0090644	A1 *	3/2019	Mason	A47C 4/54
2019/0090667	A1 *	3/2019	Mason	A47C 7/622
2020/0154897	A1 *	5/2020	Wang	A47C 11/005

* cited by examiner

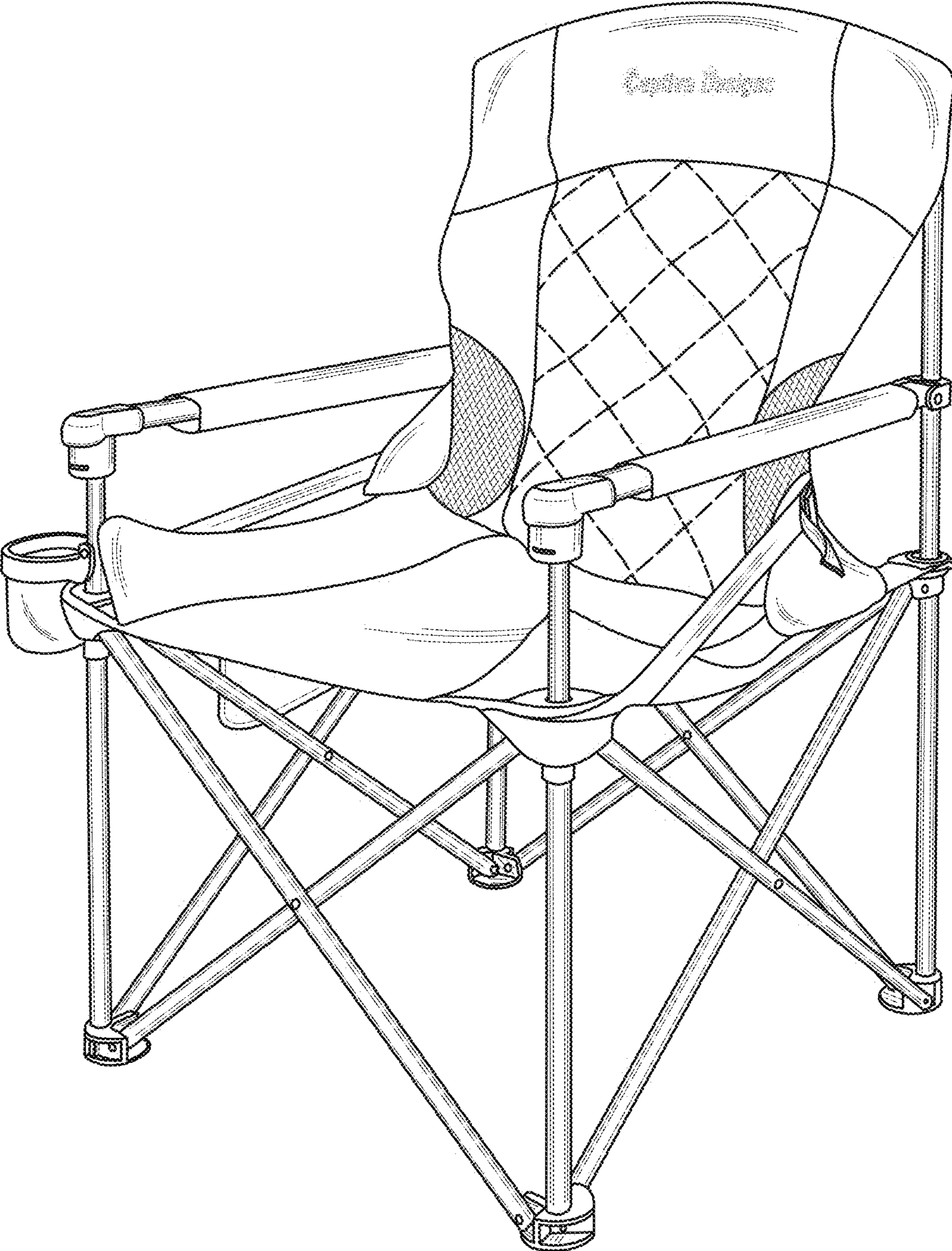


FIG. 1



FIG.2

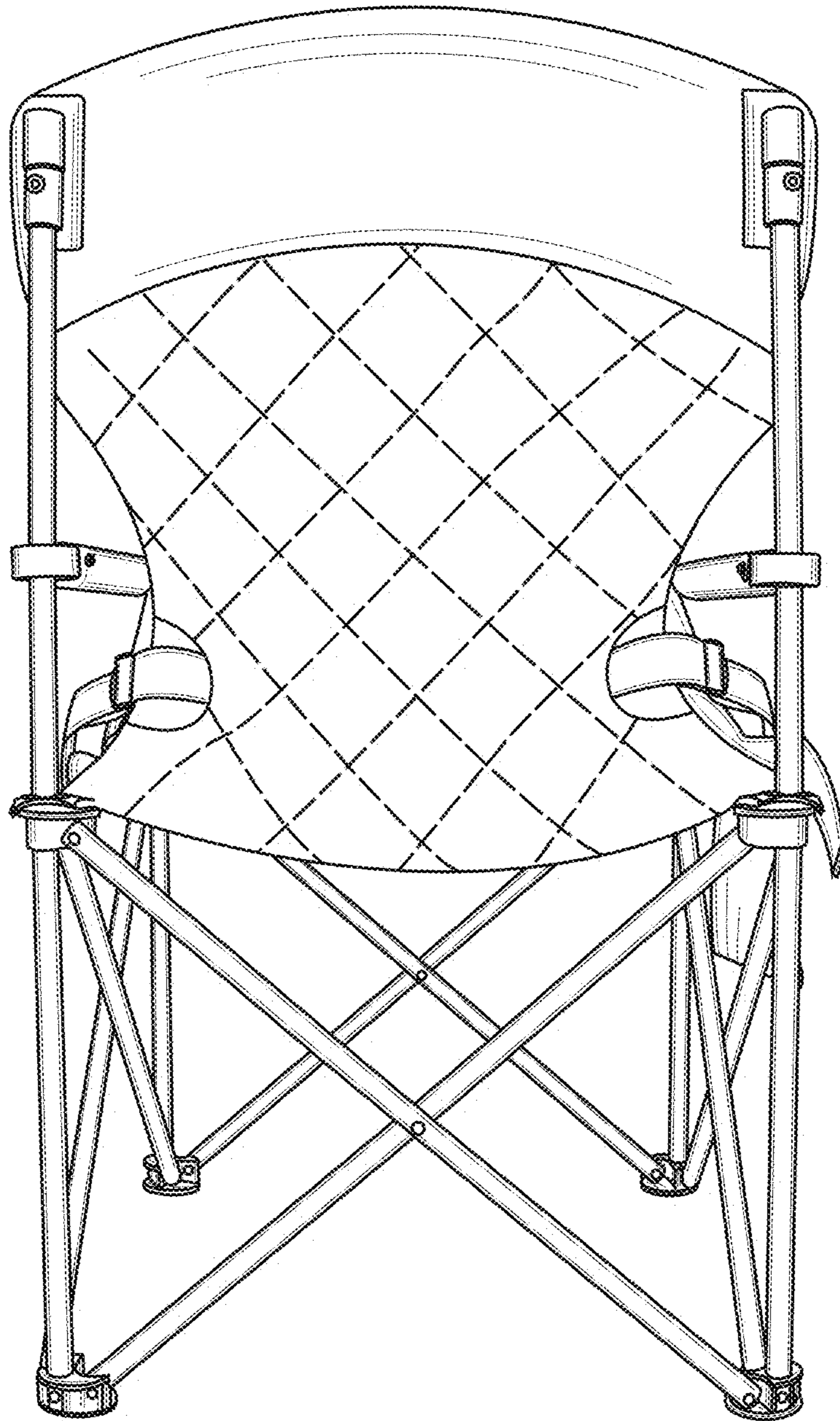


FIG.3

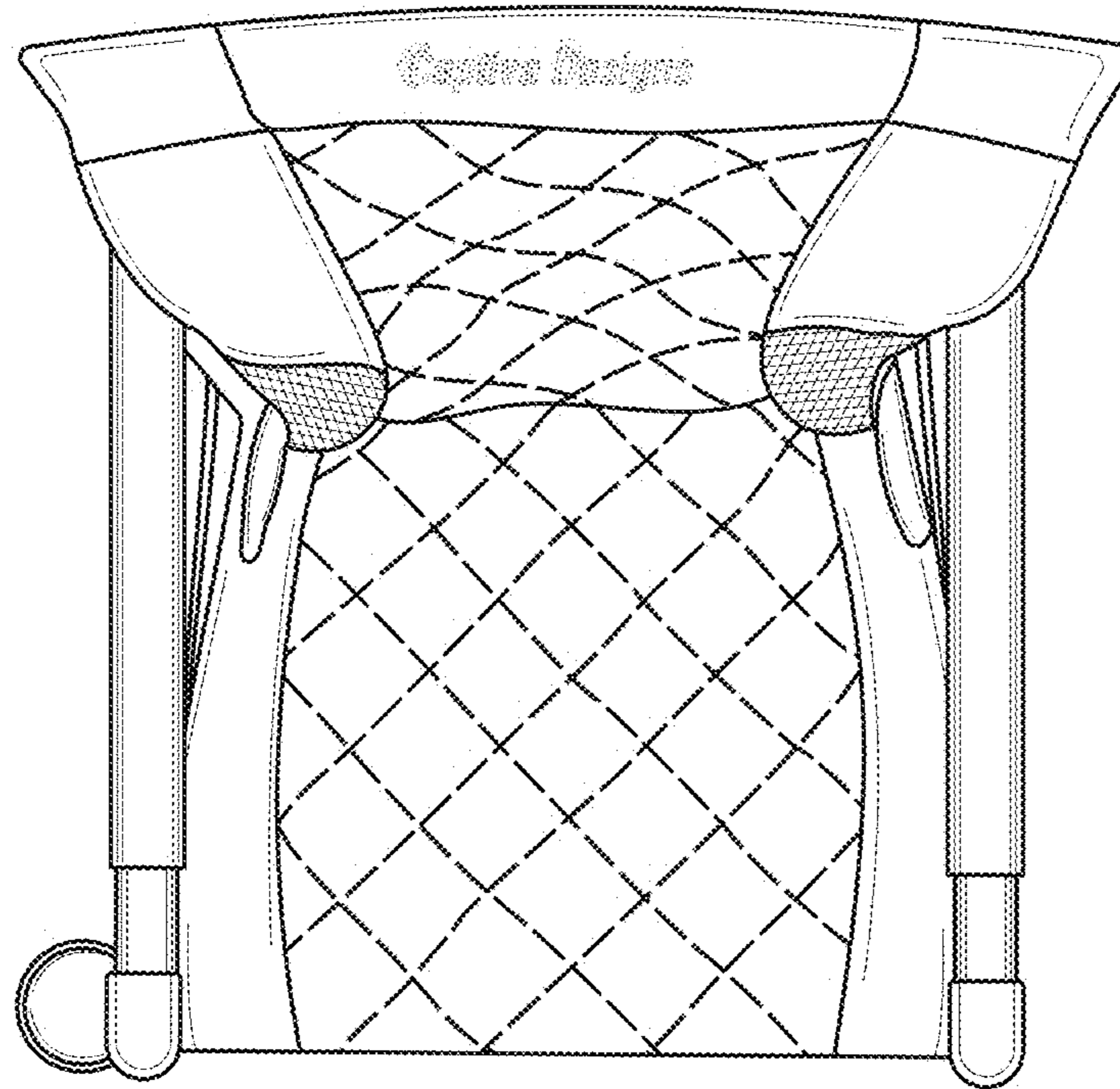


FIG.4

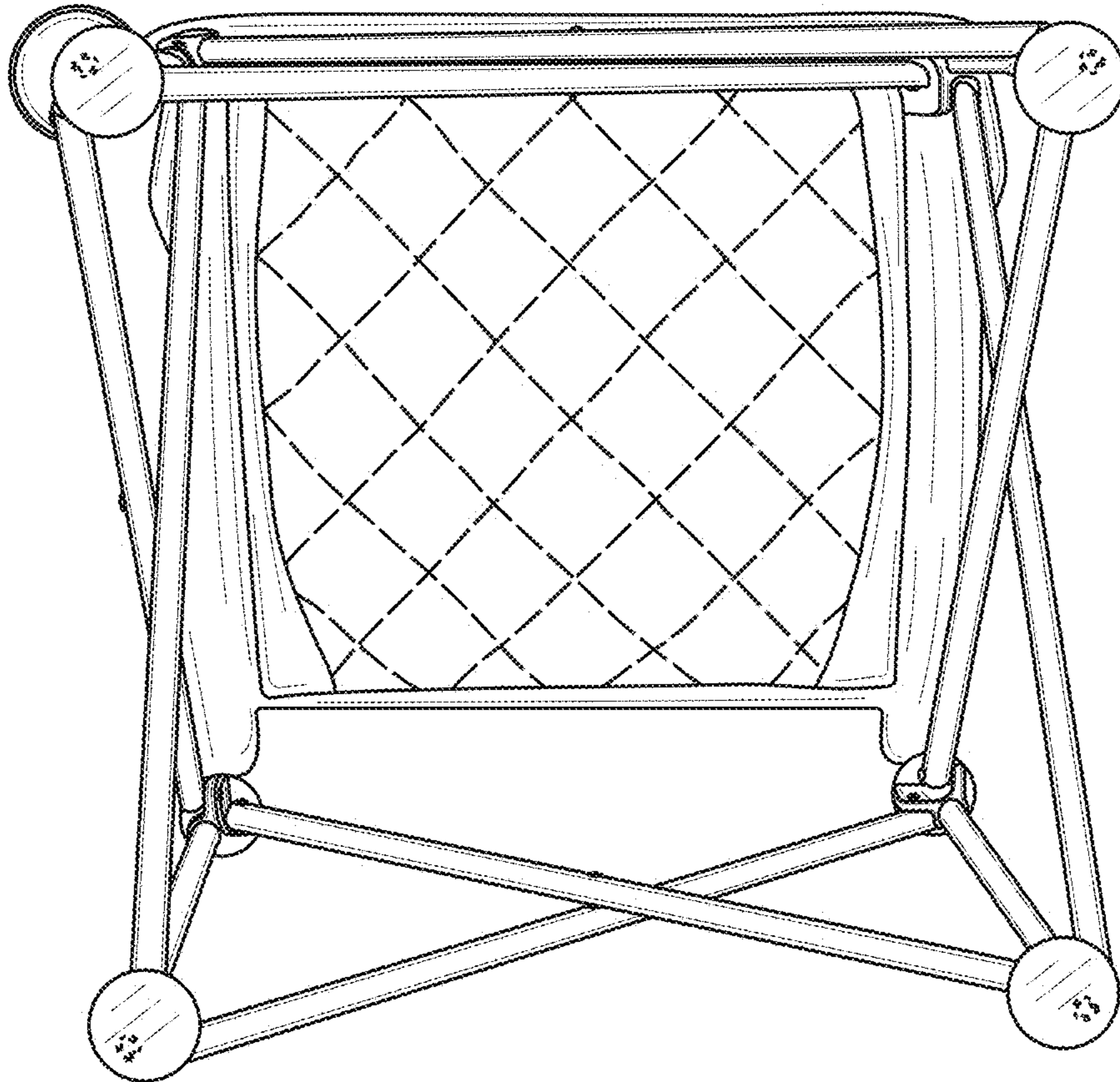


FIG.5

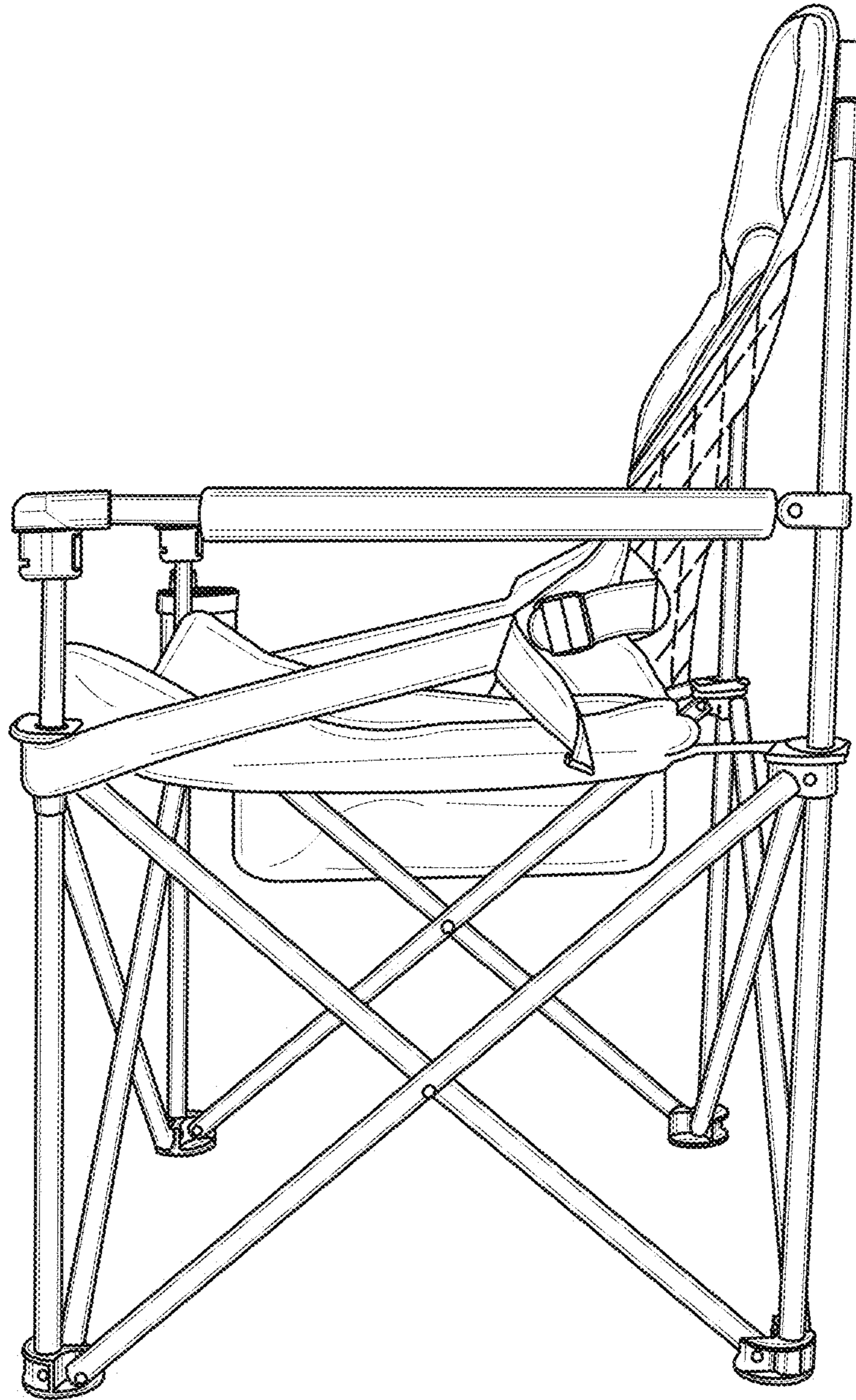


FIG.6

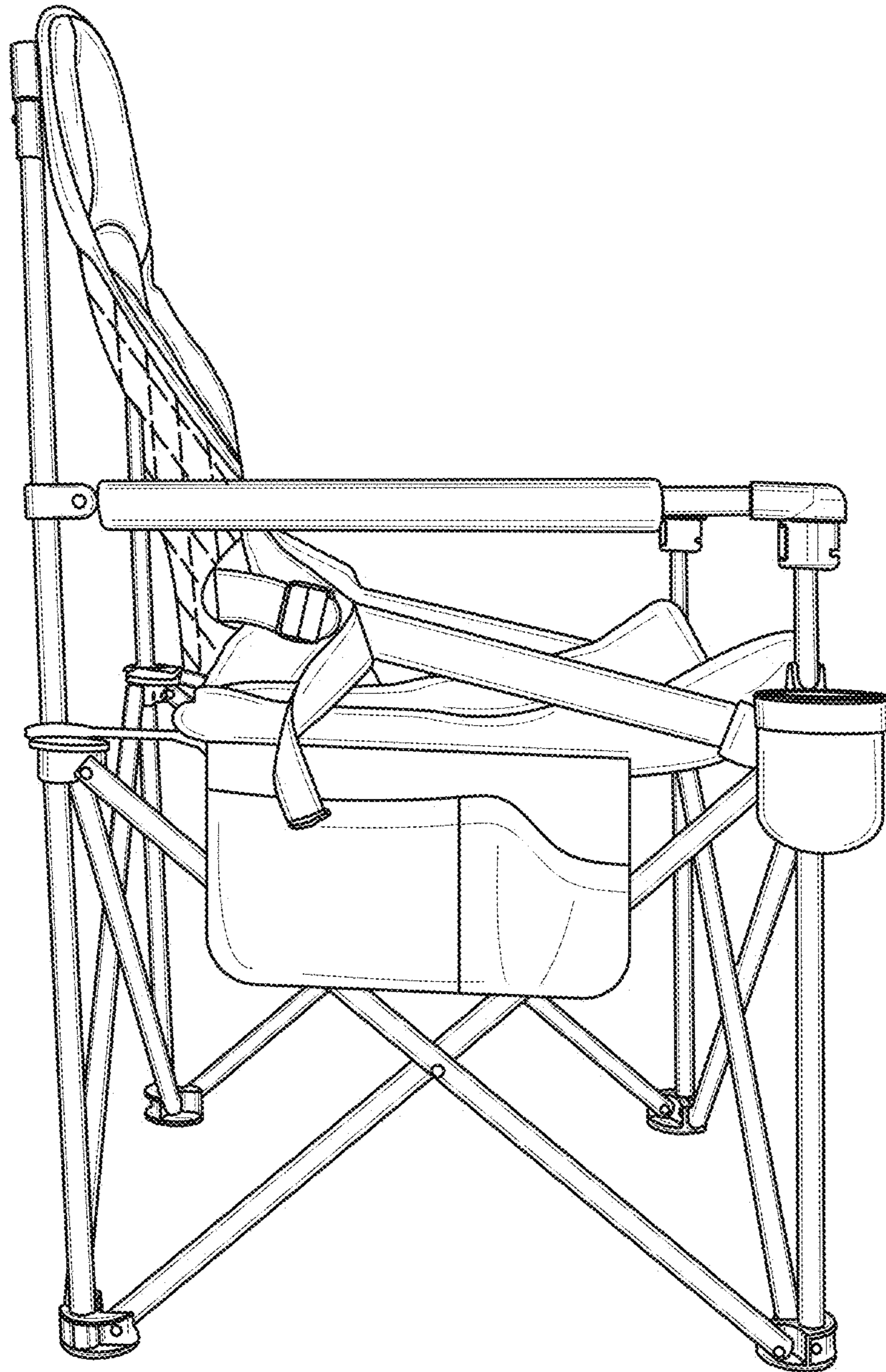


FIG.7