



US00D935210S

(12) **United States Design Patent**
Li

(10) **Patent No.:** **US D935,210 S**

(45) **Date of Patent:** **** Nov. 9, 2021**

- (54) **CHAIR**
- (71) Applicant: **Guangzhou MIGE Office Furniture Co., Ltd, Guangzhou (CN)**
- (72) Inventor: **Junqin Li, Guangzhou (CN)**
- (**) Term: **15 Years**
- (21) Appl. No.: **29/763,014**
- (22) Filed: **Dec. 21, 2020**
- (51) **LOC (13) Cl.** **06-01**
- (52) **U.S. Cl.**
USPC **D6/366**
- (58) **Field of Classification Search**
USPC D6/334-336, 364, 365, 366, 367, 374,
D6/375, 379, 380, 716, 716.1, 716.3,
D6/716.4, 708.23
CPC A47C 4/028; A47C 7/004; A47C 7/006;
A47C 7/02; A47C 7/18; A47C 7/24;
A47C 7/38; A47C 7/40; A47C 7/46;
A47C 7/462; A47C 7/54
See application file for complete search history.

- 6,123,390 A * 9/2000 Greenwald A47C 7/46
297/452.32
- 6,877,812 B2 * 4/2005 Congleton A47C 7/40
297/353
- 8,851,573 B2 * 10/2014 Klokk A47C 7/38
297/391
- D878,788 S 3/2020 Wang et al.
- D878,790 S 3/2020 Wang
- D879,491 S 3/2020 Wang

* cited by examiner

Primary Examiner — Mimosa De

(57) **CLAIM**

The ornamental design for a chair, as shown and described.

DESCRIPTION

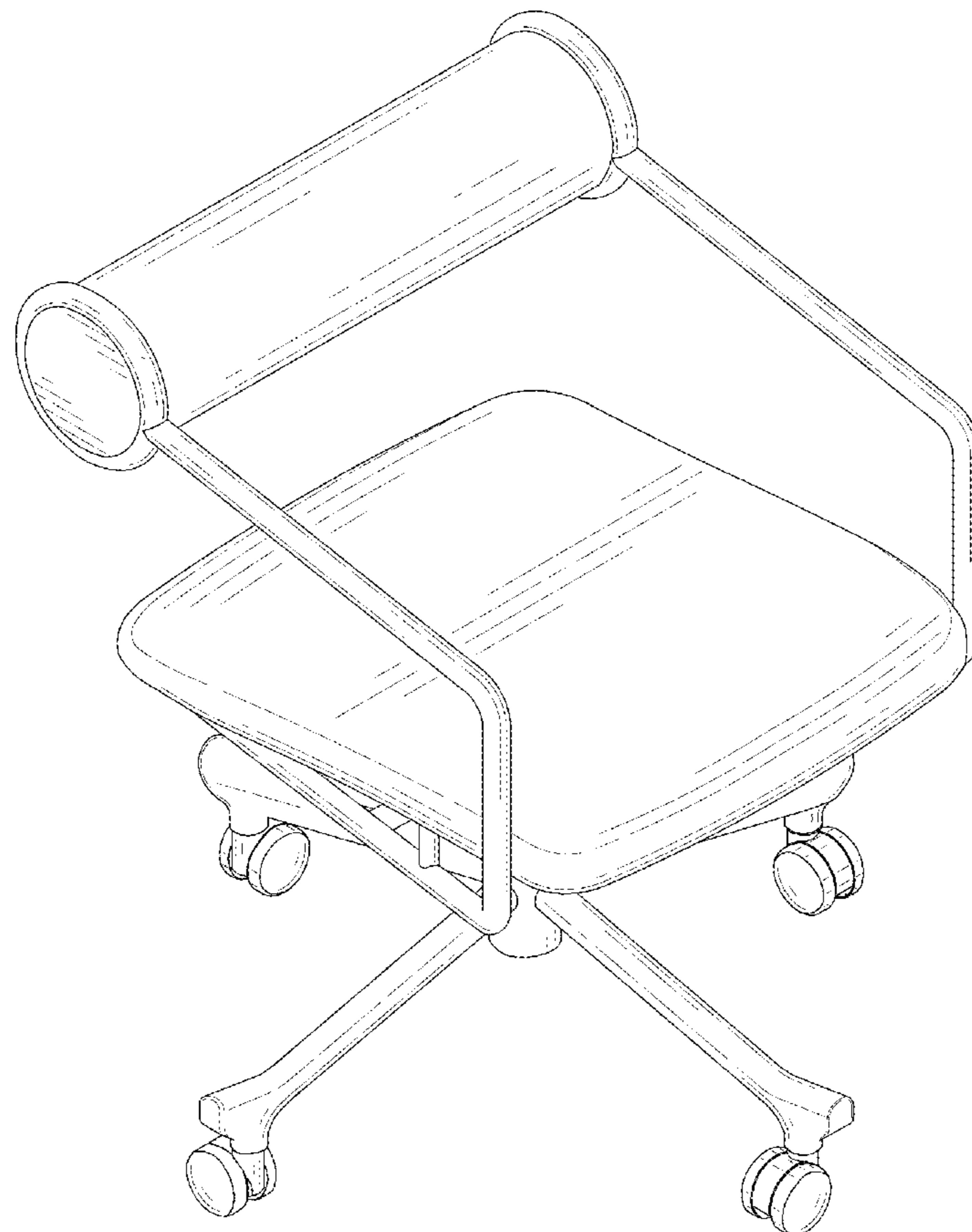
FIG. 1 is a first perspective view of a chair showing my new design;
 FIG. 2 is a second perspective view thereof;
 FIG. 3 is a front view thereof;
 FIG. 4 is a back view thereof;
 FIG. 5 is a left side view thereof;
 FIG. 6 is a right side view thereof;
 FIG. 7 is a top view thereof; and,
 FIG. 8 is a bottom view thereof.

(56) **References Cited**

U.S. PATENT DOCUMENTS

- D266,291 S * 9/1982 Leffler D6/366
- D274,864 S * 7/1984 Diffrient D6/366

1 Claim, 8 Drawing Sheets



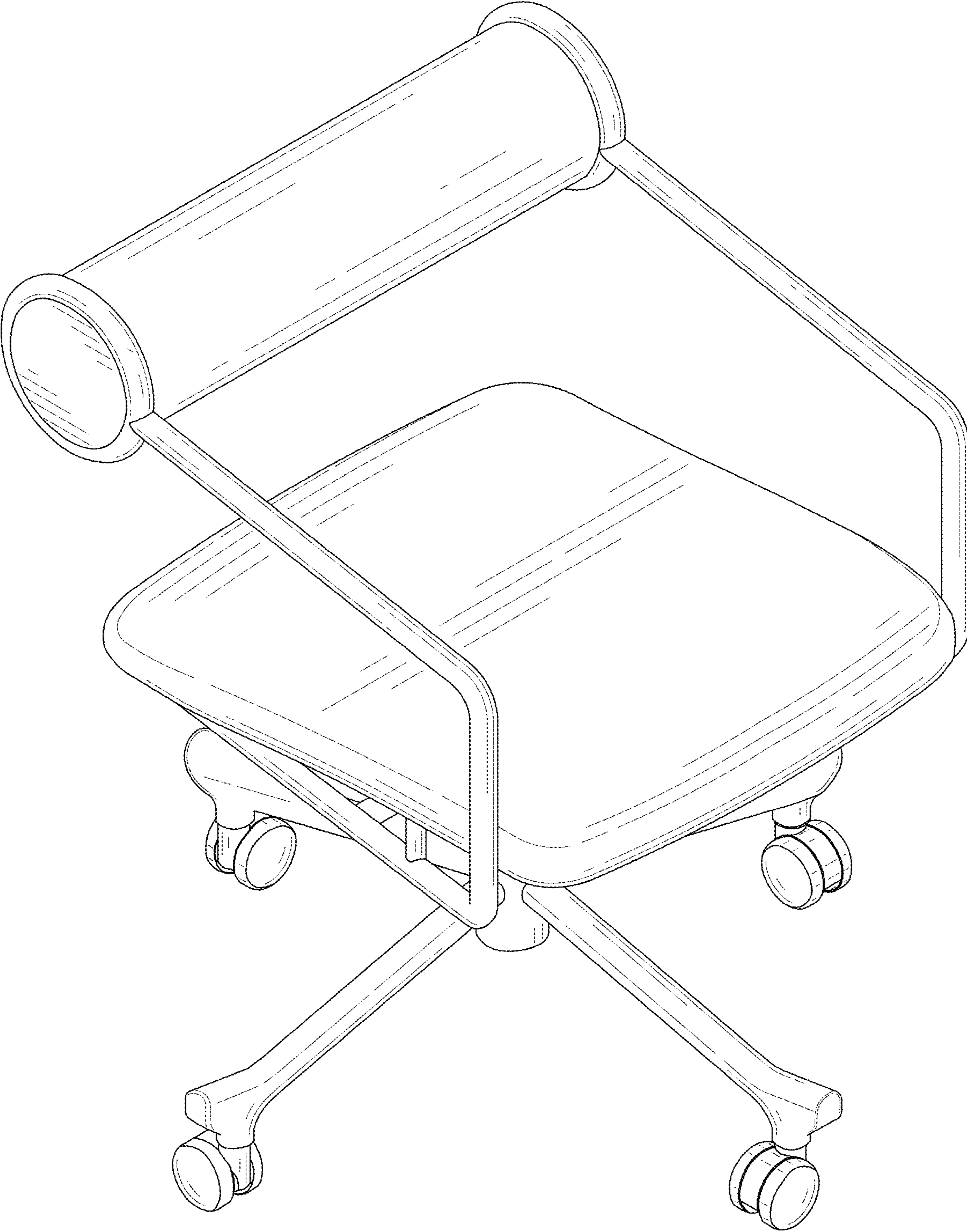


FIG. 1

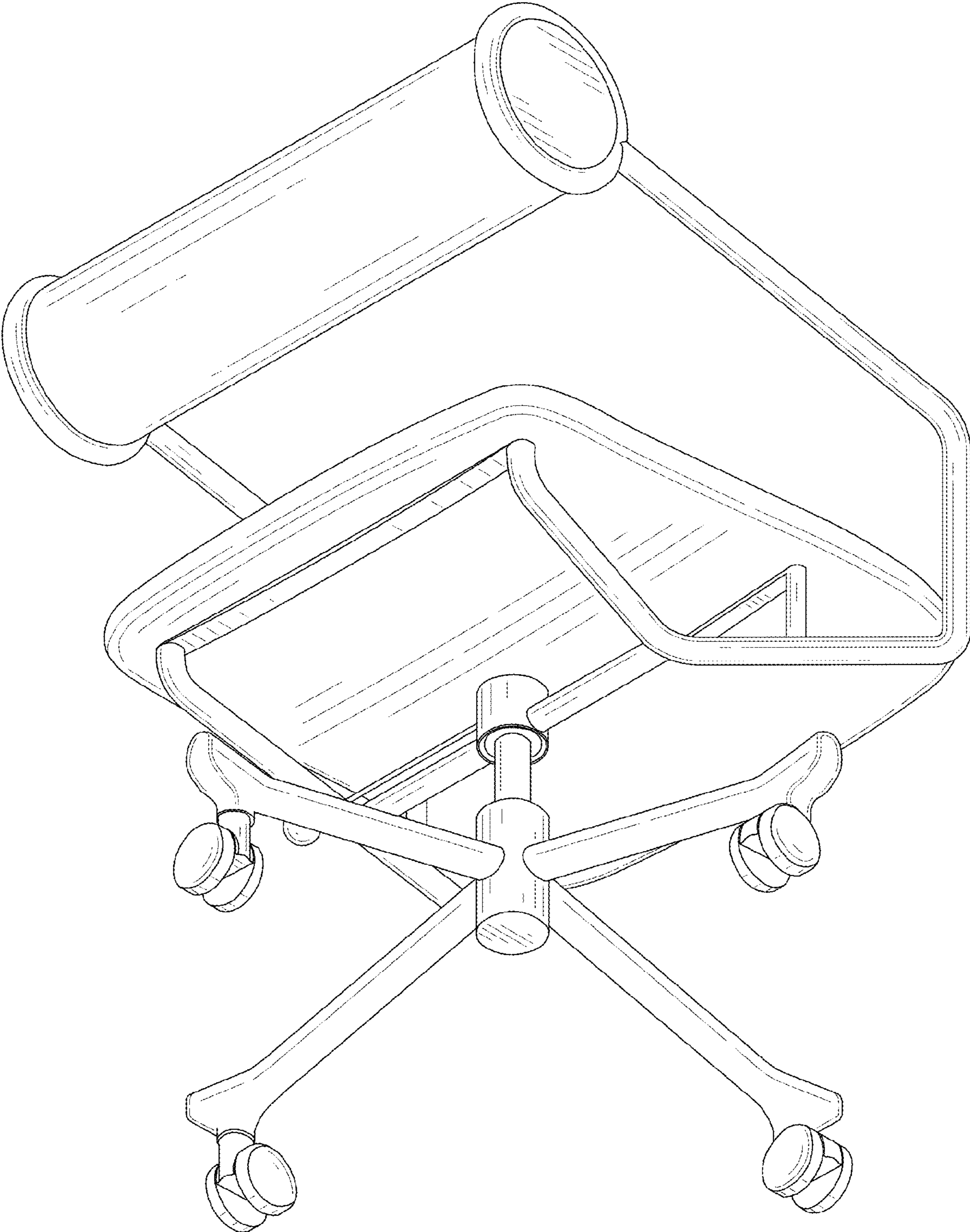


FIG. 2

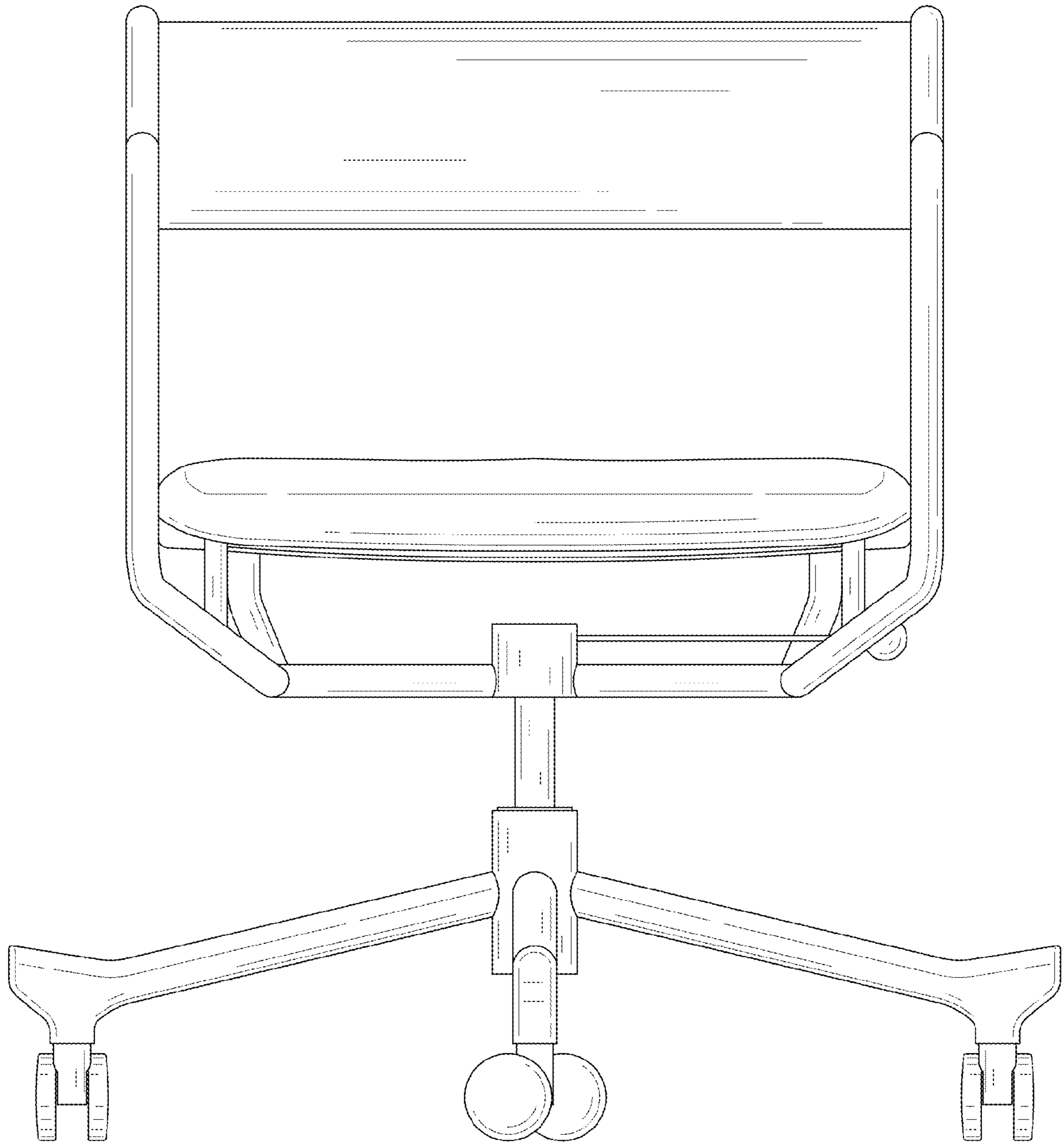


FIG. 3

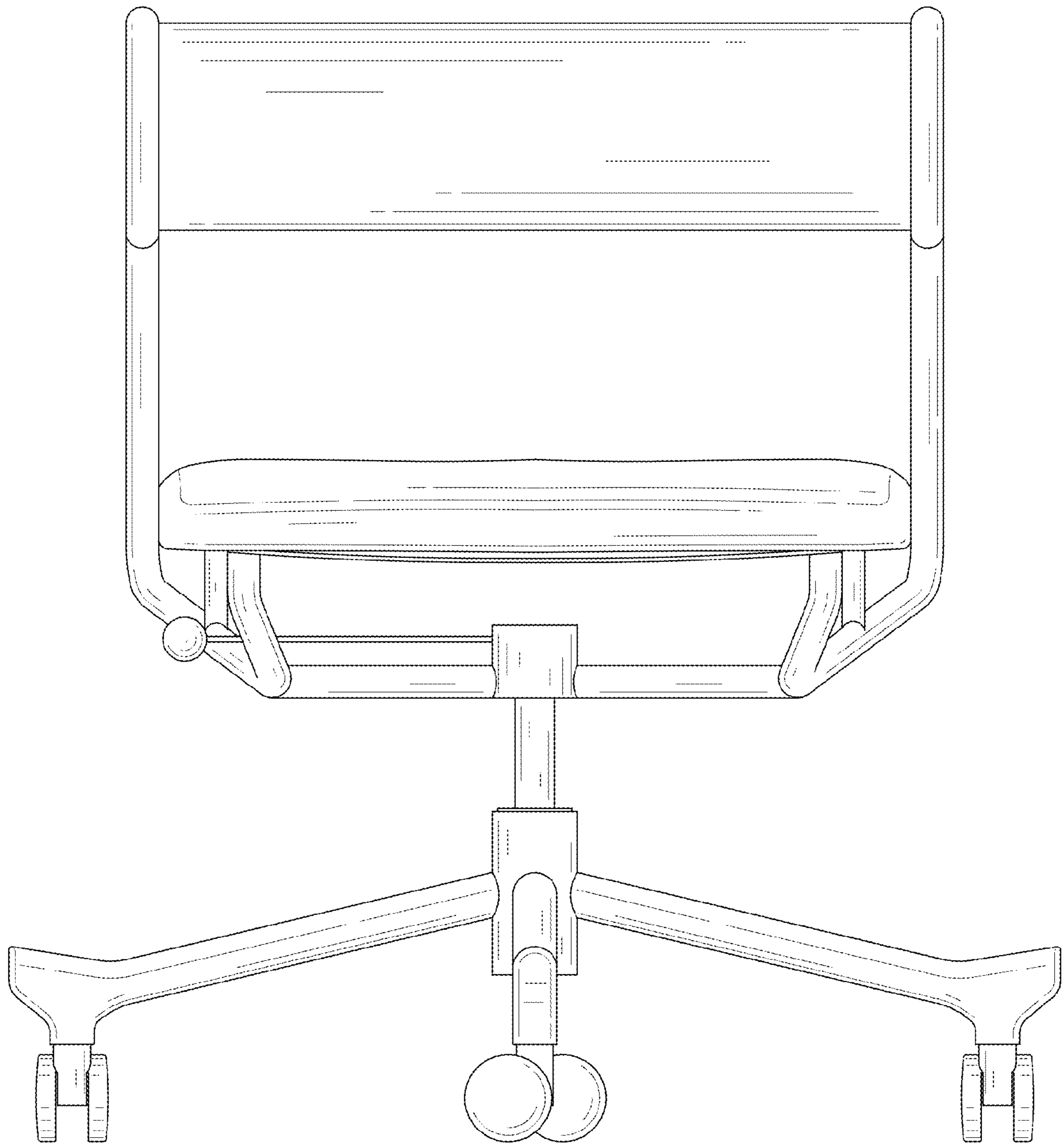


FIG. 4

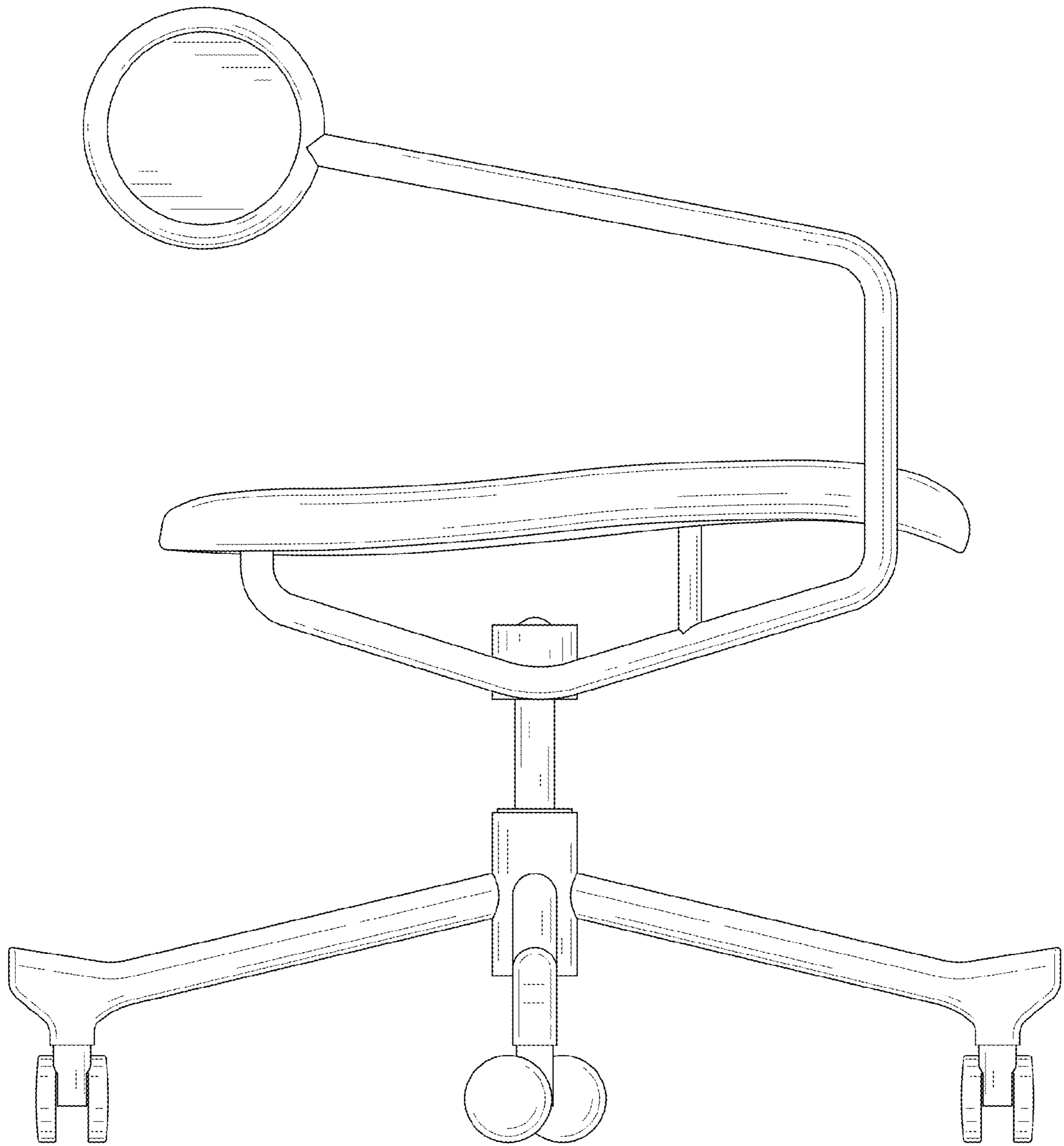


FIG. 5

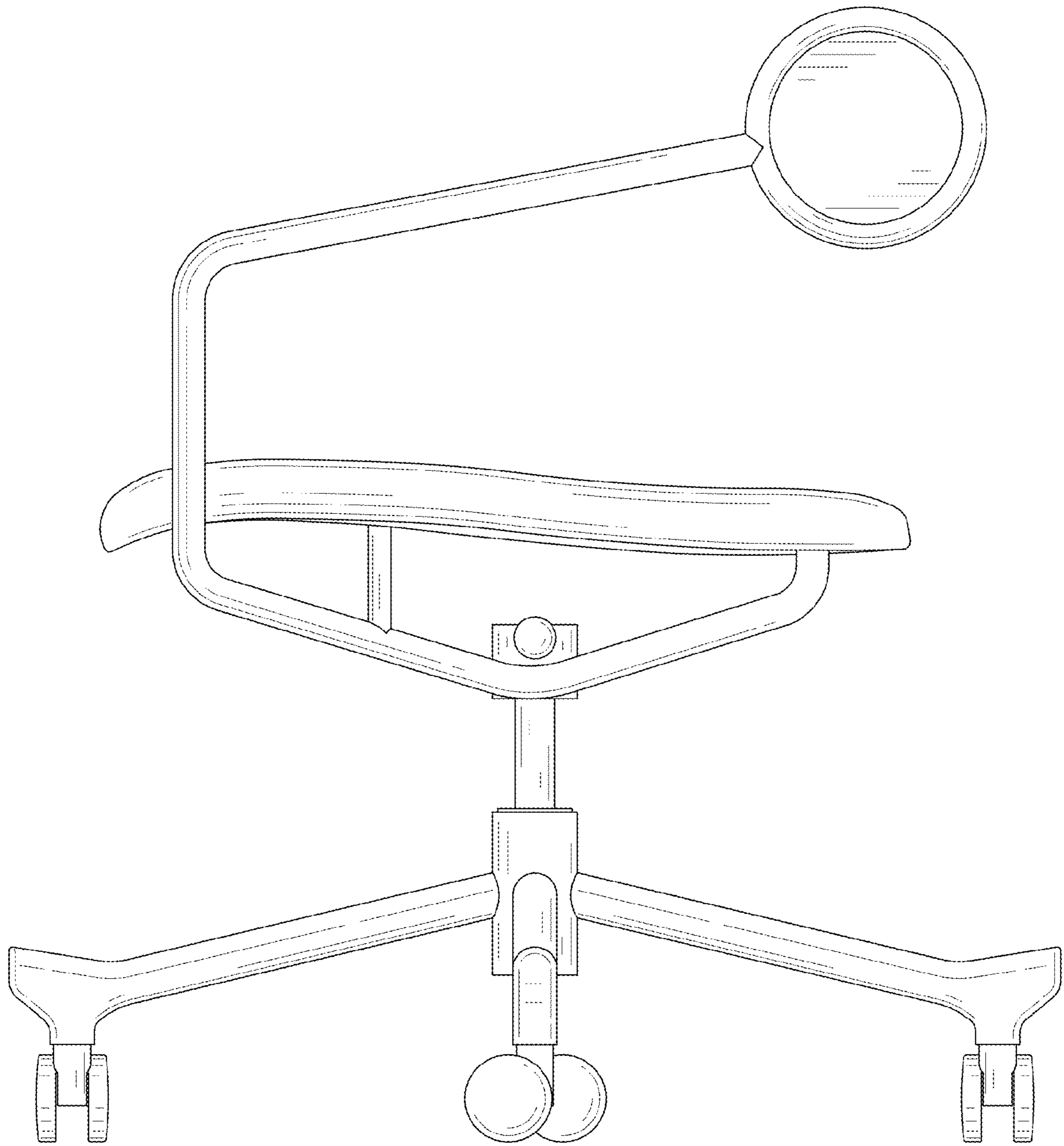


FIG. 6

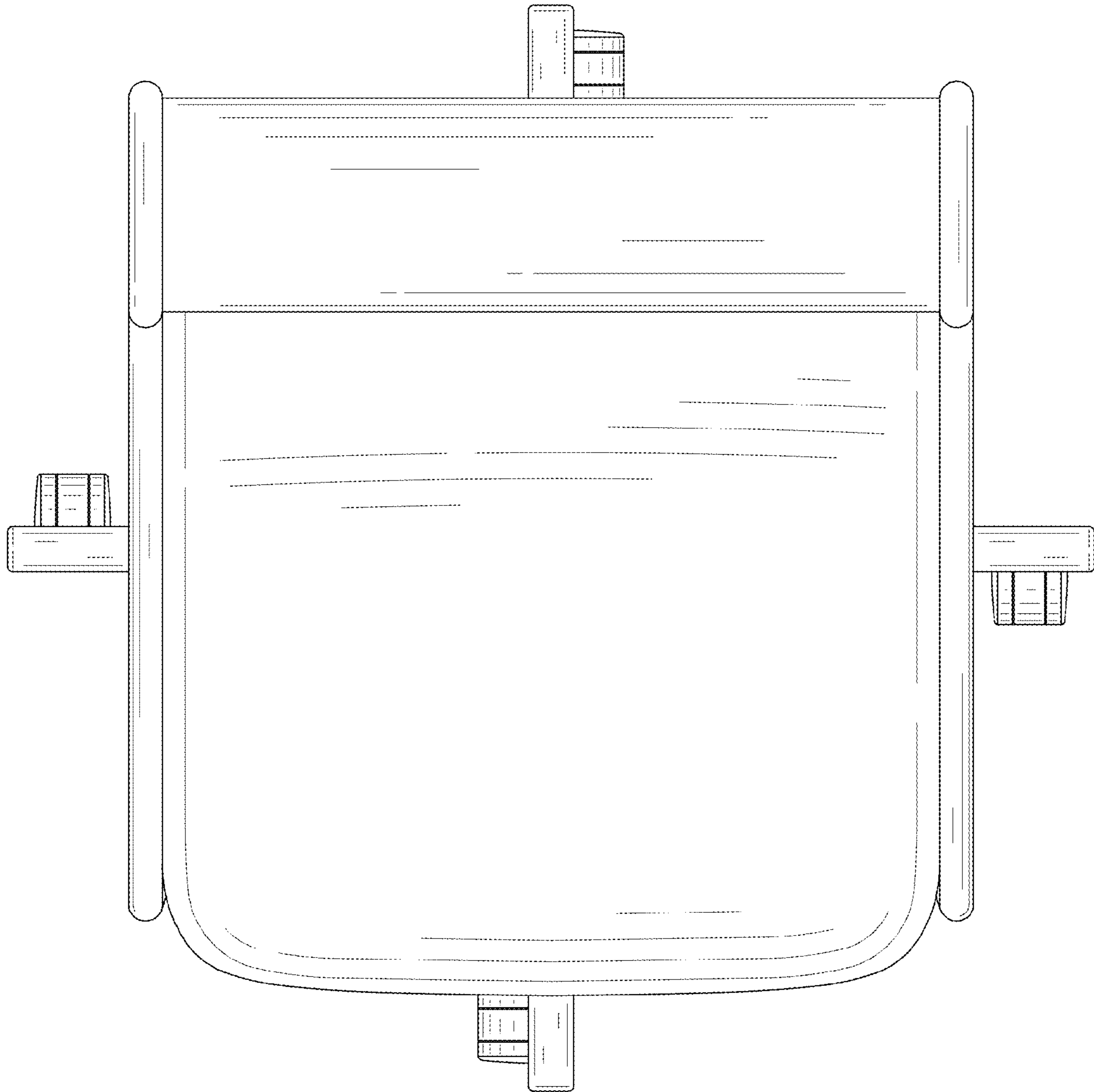


FIG. 7

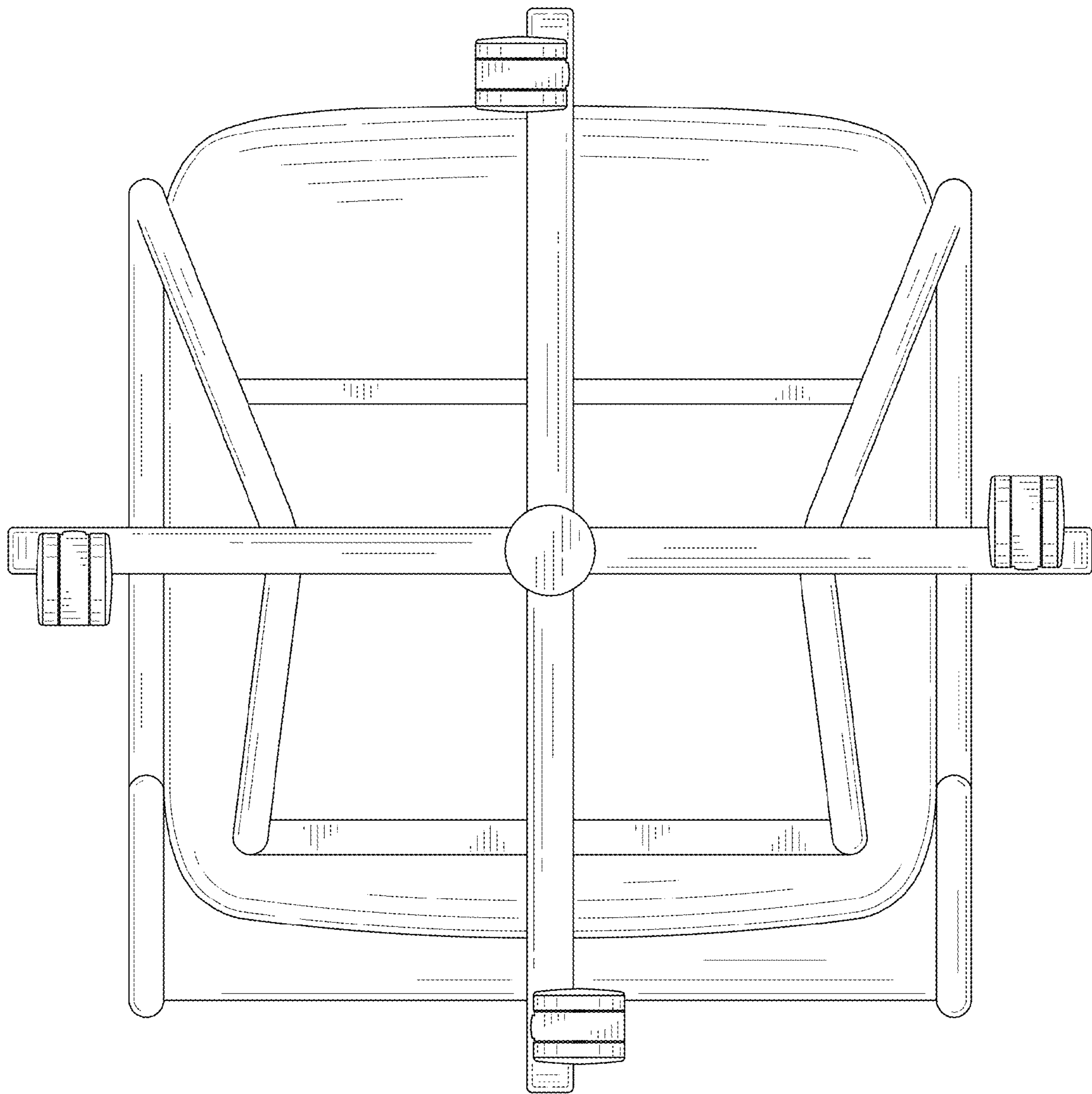


FIG. 8