



US00D935209S

(12) **United States Design Patent**
Wang

(10) **Patent No.:** **US D935,209 S**

(45) **Date of Patent:** **** Nov. 9, 2021**

(54) **INFLATABLE SOFA**

(71) Applicant: **Bing Zeng**, Shenzhen (CN)

(72) Inventor: **Gang Wang**, Shenzhen (CN)

(**) Term: **15 Years**

(21) Appl. No.: **29/708,836**

(22) Filed: **Oct. 10, 2019**

(30) **Foreign Application Priority Data**

Apr. 10, 2019 (CN) 201930160564.5

(51) **LOC (13) Cl.** **06-01**

(52) **U.S. Cl.**
USPC **D6/361**

(58) **Field of Classification Search**

USPC D6/334, 361, 367, 368, 369, 370, 375,
D6/377, 382, 604

CPC A47C 1/02; A47C 1/024; A47C 1/025;
A47C 1/026; A47C 1/14; A47C 1/143;
A47C 1/146; A47C 3/16; A47C 4/54

See application file for complete search history.

(56) **References Cited**

U.S. PATENT DOCUMENTS

5,033,742 A * 7/1991 Johnson A63B 21/4037
482/140
D483,088 S * 12/2003 Zheng D21/803

D486,877 S * 2/2004 Peterson D21/809
D487,129 S * 2/2004 Peterson D21/803
D491,994 S * 6/2004 Peterson D21/803
D819,993 S * 6/2018 Yang D6/361
D819,994 S * 6/2018 Yang D6/361
D890,536 S * 7/2020 Schnermann D6/361
D903,350 S * 12/2020 Zhou D6/361
D903,351 S * 12/2020 Zhou D6/361
2013/0111661 A1 * 5/2013 Furuland A47D 9/005
5/93.1
2018/0317657 A1 * 11/2018 Yang A47C 3/16

* cited by examiner

Primary Examiner — R. Johnson

(57) **CLAIM**

The ornamental design for an inflatable sofa, as shown and described.

DESCRIPTION

FIG. 1 is a perspective view of an inflatable sofa showing my new design;

FIG. 2 is a top plan view thereof;

FIG. 3 is a bottom plan view thereof;

FIG. 4 is a left side view thereof;

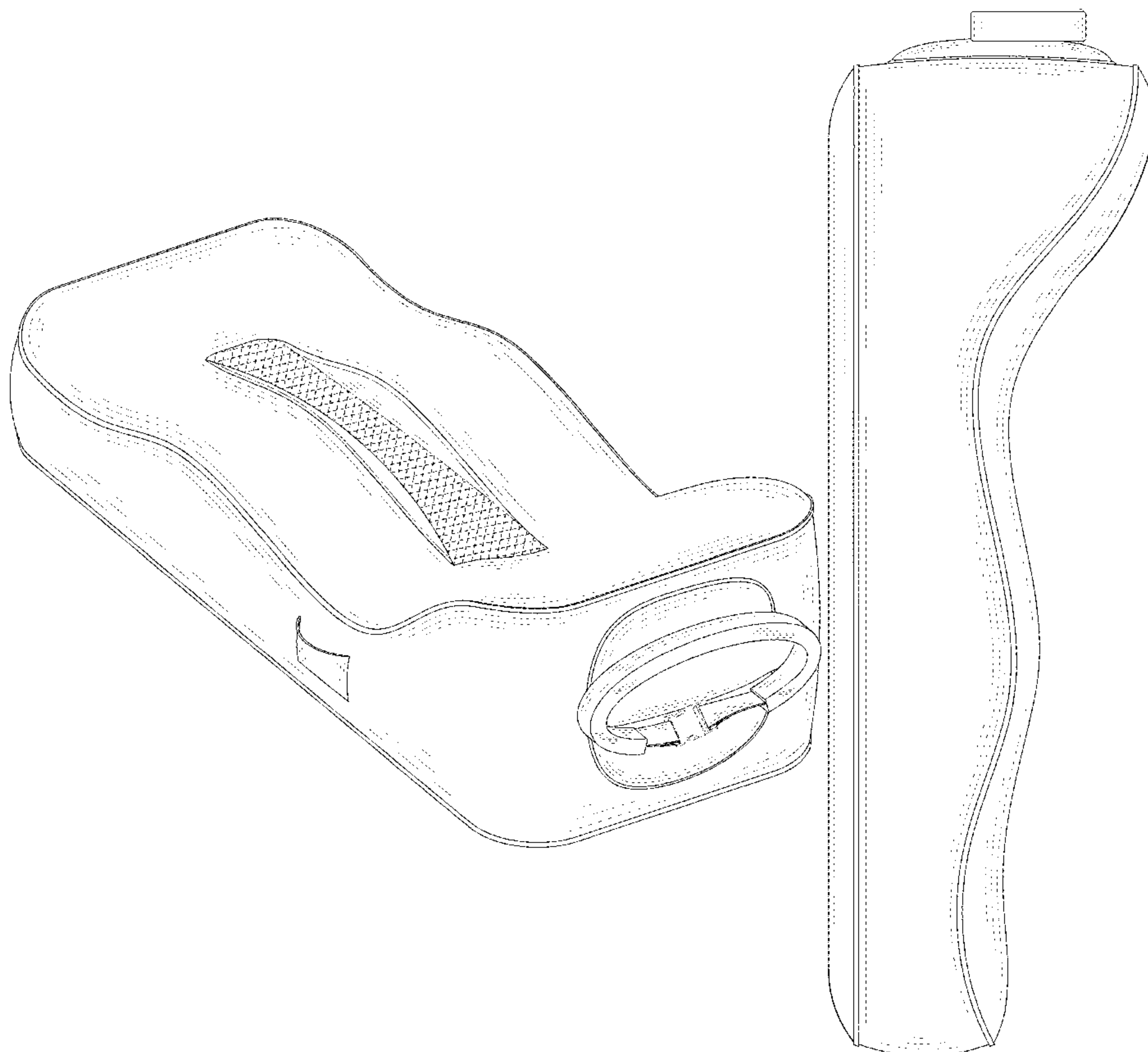
FIG. 5 is a right side view thereof;

FIG. 6 is a rear view thereof; and,

FIG. 7 is a front view thereof.

The broken lines are for the purposes of illustrating portions of the inflatable sofa and form no part of the claimed design.

1 Claim, 7 Drawing Sheets



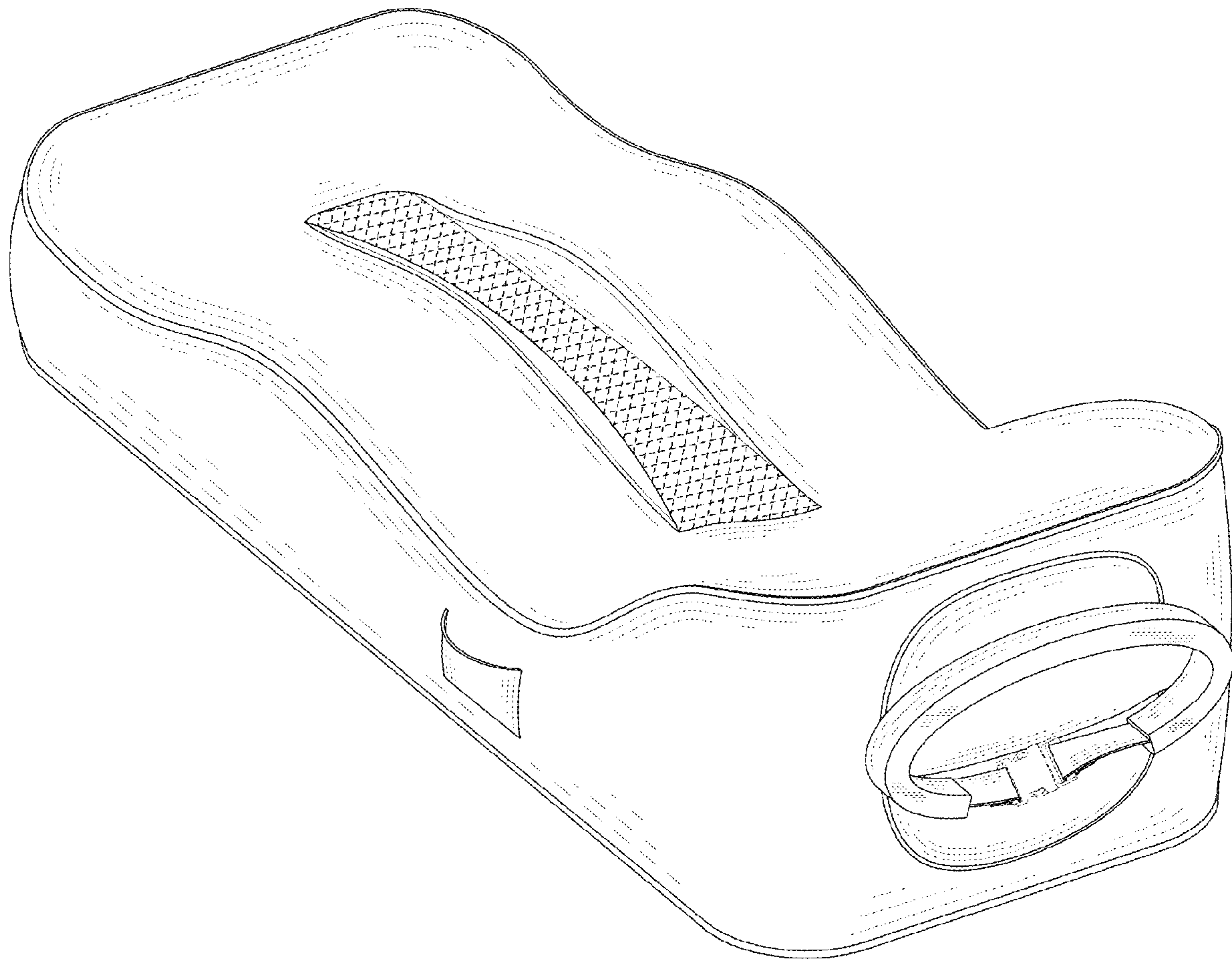


FIG. 1

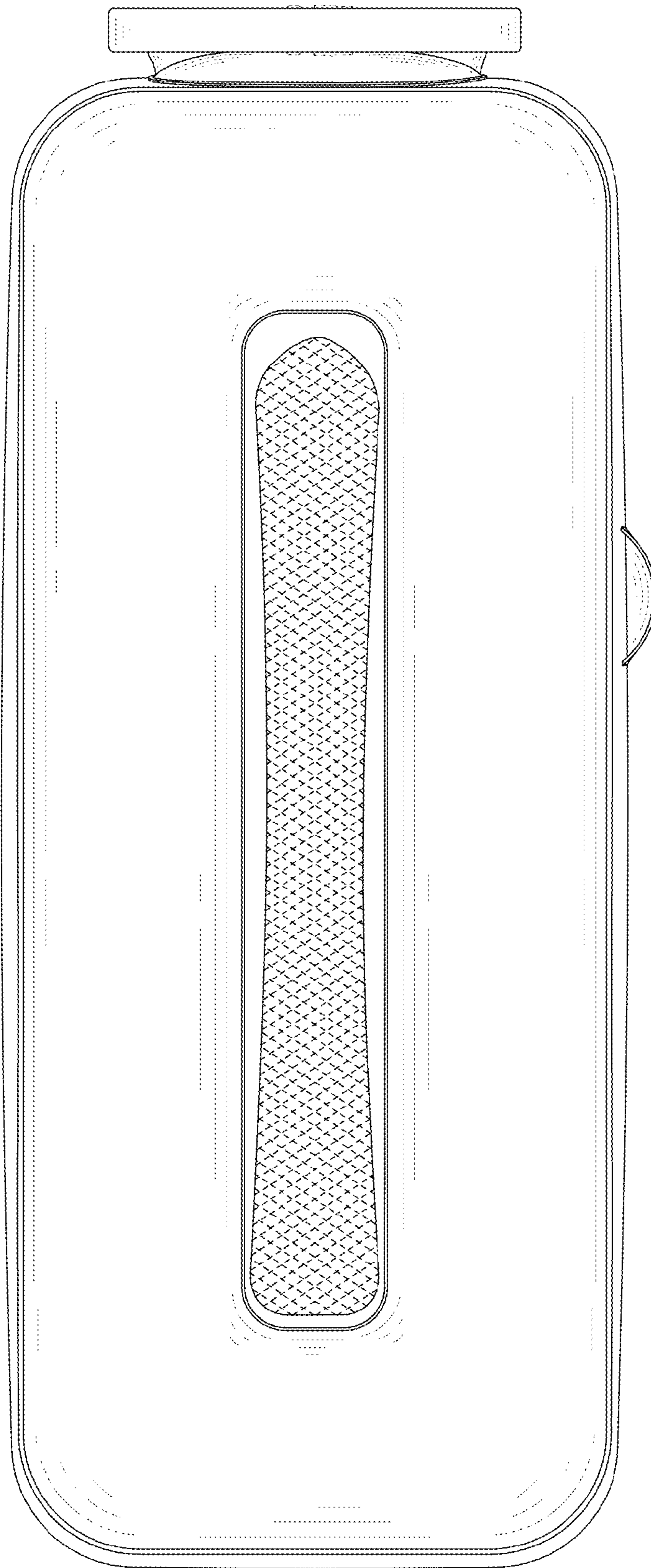


FIG. 2

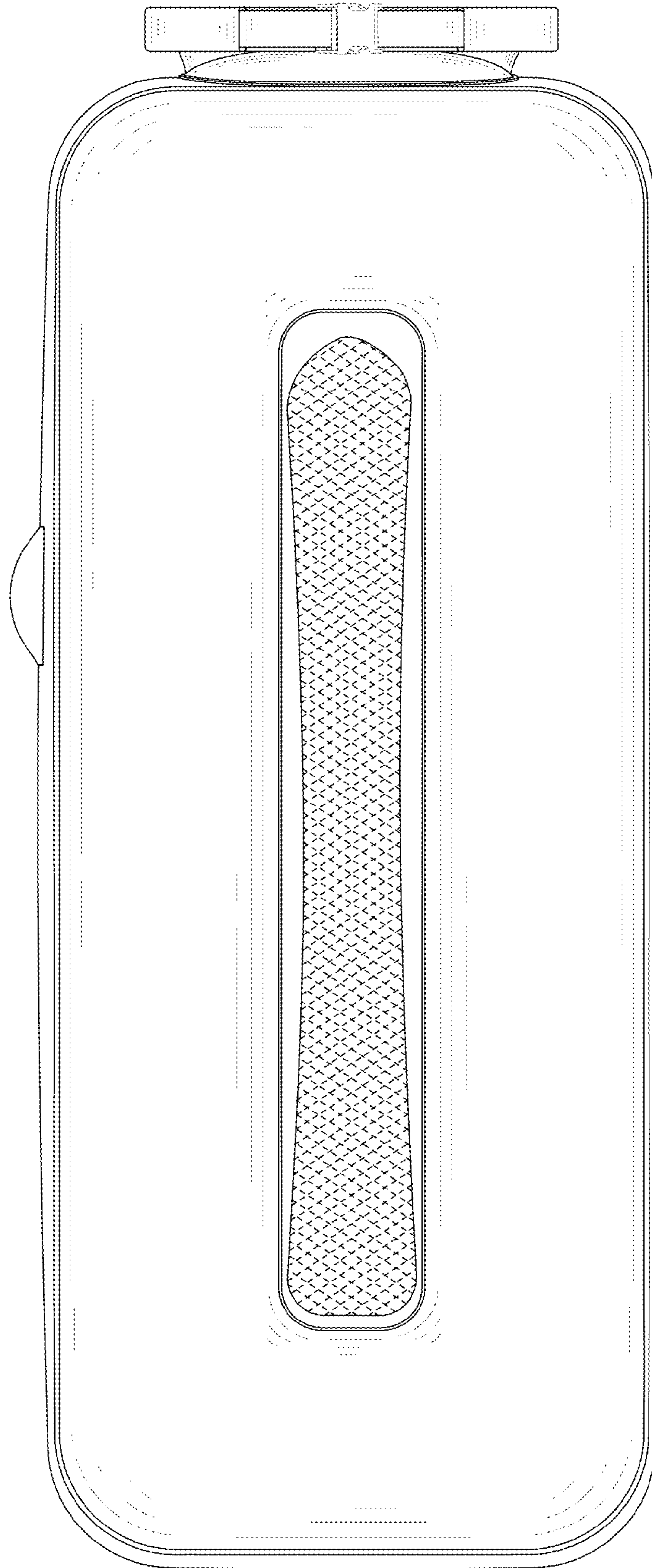


FIG. 3

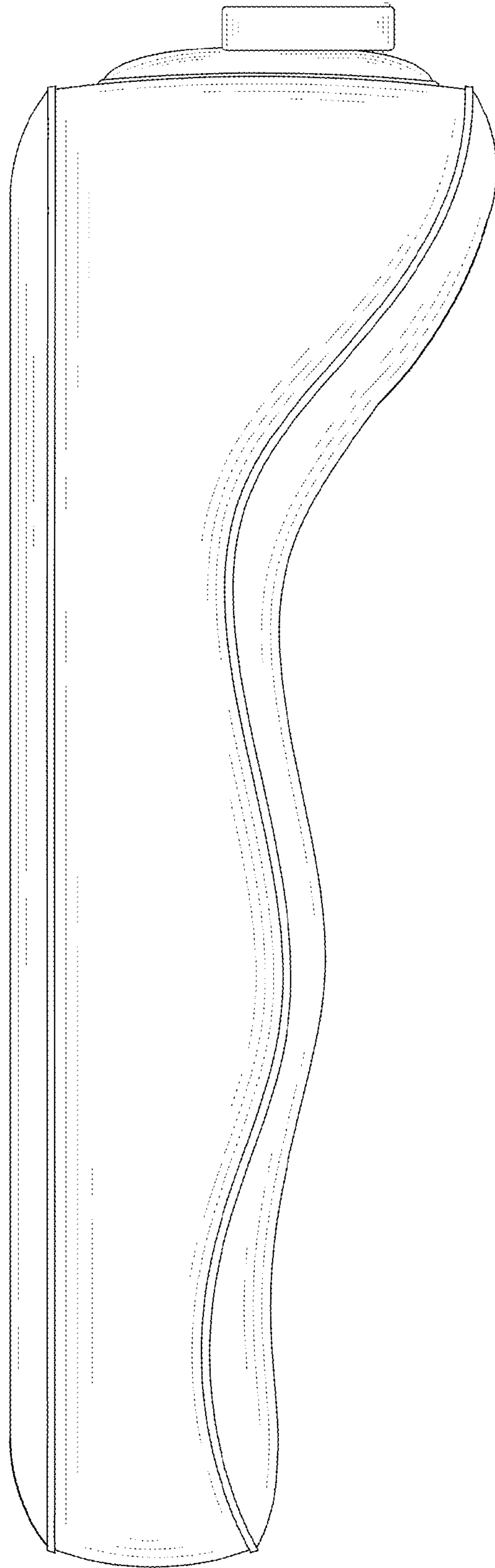


FIG. 4

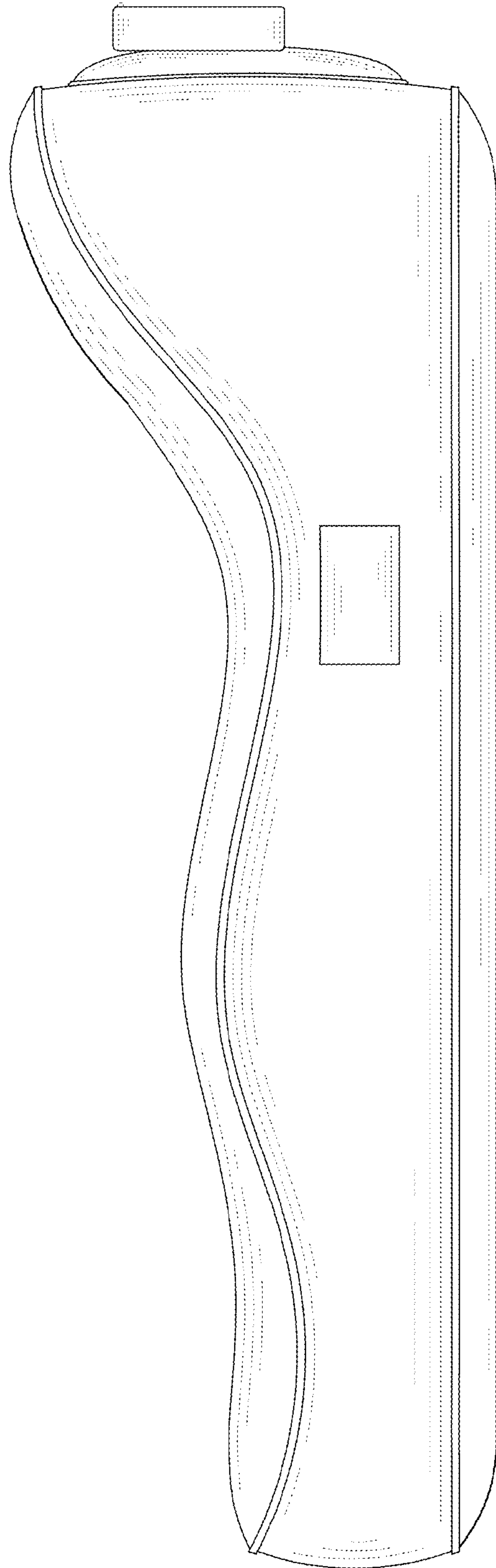


FIG. 5

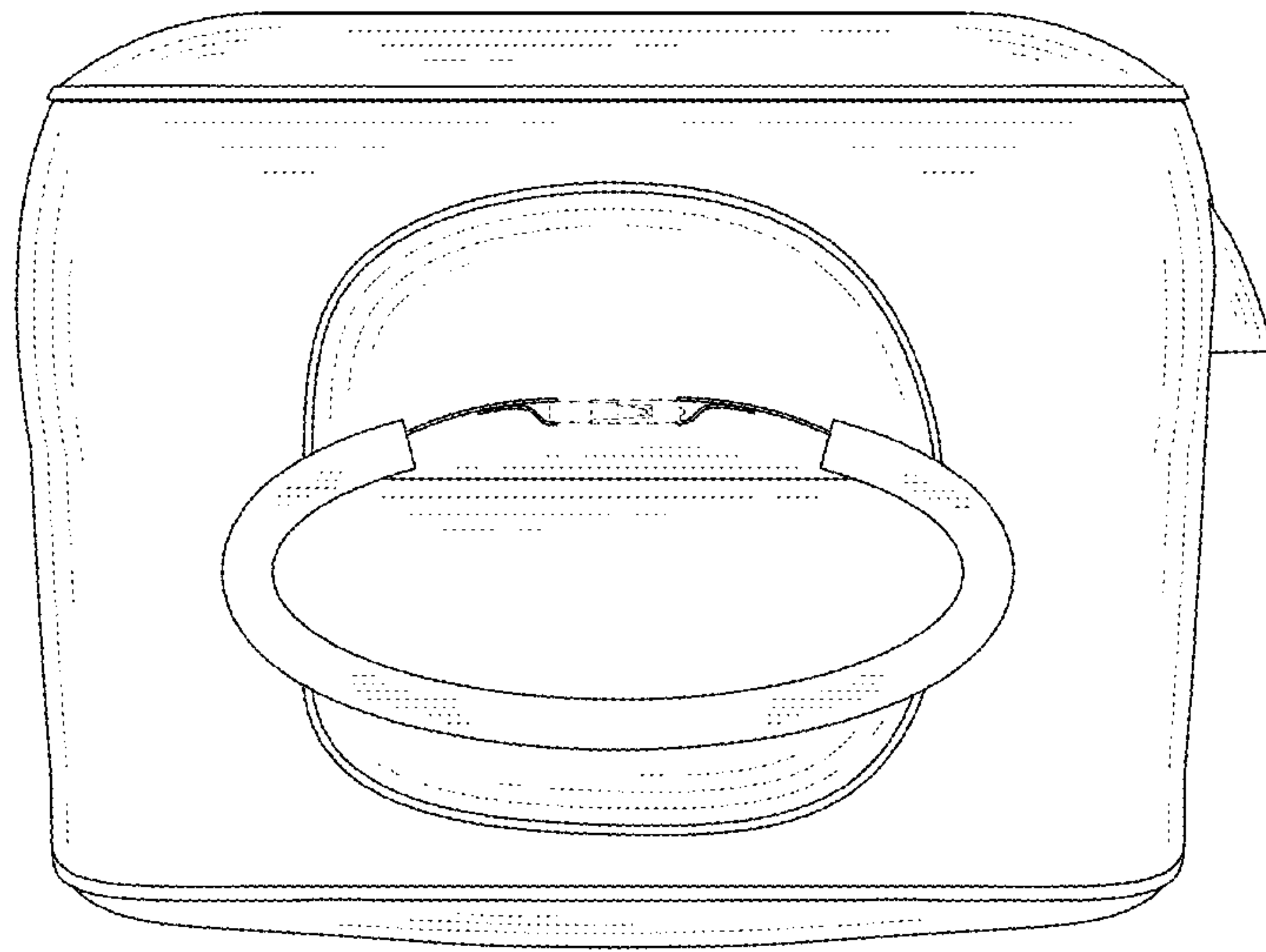


FIG. 6

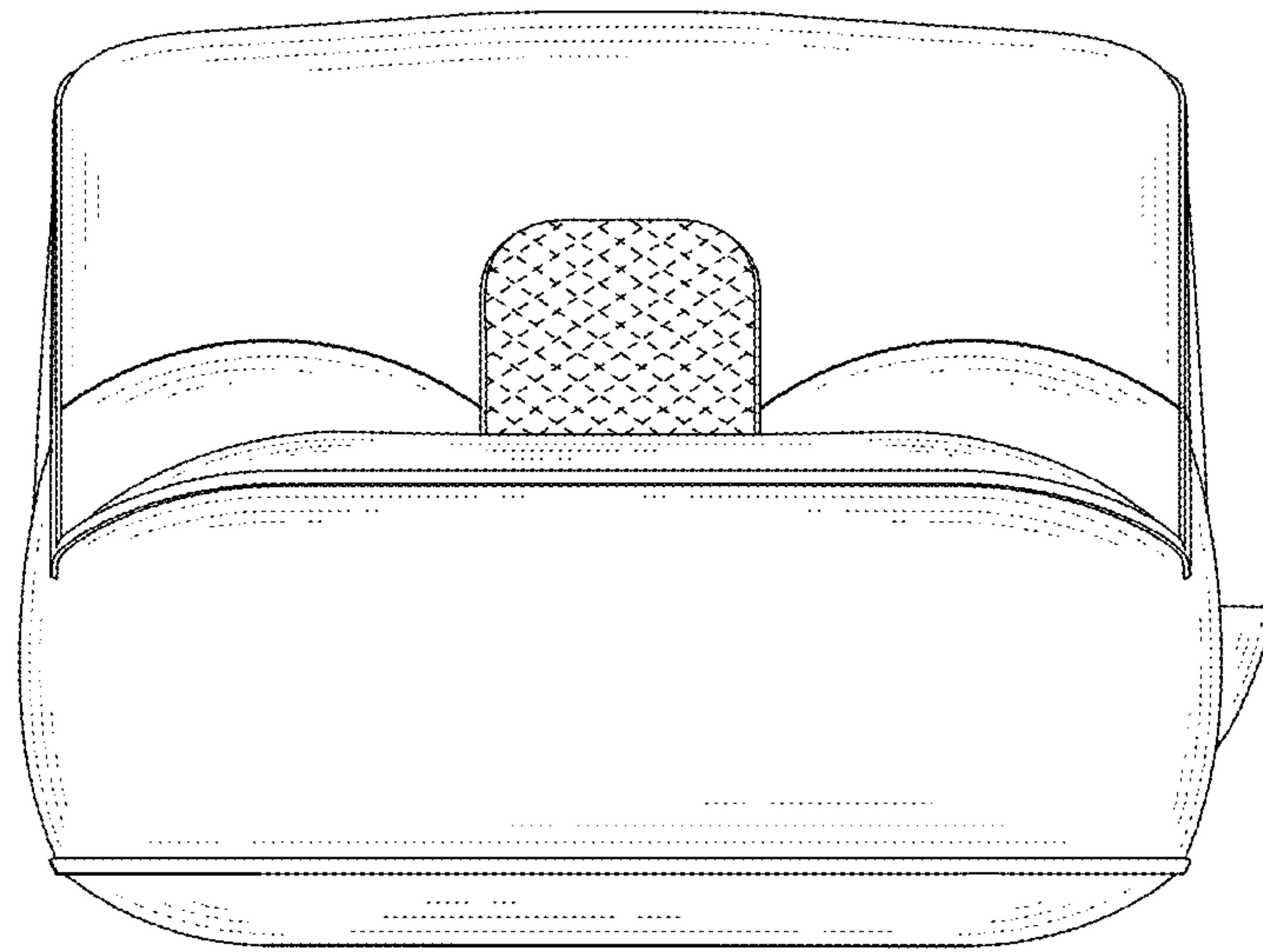


FIG. 7