



US00D935207S

(12) **United States Design Patent** (10) **Patent No.:** **US D935,207 S**  
**Melton et al.** (45) **Date of Patent:** **\*\* \*Nov. 9, 2021**

(54) **ONE-STEP WORK PLATFORM**  
(71) Applicant: **Werner Co.**, Greenville, PA (US)  
(72) Inventors: **Michael T. Melton**, Glen Ellyn, IL (US); **Fang Chen**, Berrinba (AU); **Stephen Woodward**, Meadville, PA (US)

D346,704 S \* 5/1994 Grosfillex ..... D6/349  
D347,527 S \* 6/1994 Breen ..... D6/336  
D351,476 S \* 10/1994 Grosfillex ..... D25/63  
D357,361 S \* 4/1995 Karten ..... D6/349  
D367,967 S \* 3/1996 Calmeise ..... D6/336  
D436,763 S \* 1/2001 Balolia ..... D6/349  
D586,923 S \* 2/2009 Eveleth ..... D25/65

(73) Assignee: **Werner Co.**, Greenville, PA (US)  
(\* ) Notice: This patent is subject to a terminal disclaimer.  
(\*\* ) Term: **15 Years**

**OTHER PUBLICATIONS**

Gorilla Ladder Model #GLP-WP, Brochure, May 2016.  
\* cited by examiner

(21) Appl. No.: **29/614,605**  
(22) Filed: **Aug. 21, 2017**  
(51) **LOC (13) Cl.** ..... **06-01**  
(52) **U.S. Cl.**  
USPC ..... **D6/349**

*Primary Examiner* — Gino Colan  
(74) *Attorney, Agent, or Firm* — Ansel M. Schwartz

(58) **Field of Classification Search**  
USPC .... D25/62, 63, 65, 66, 68, 69; D6/350, 353, D6/349, 484; 297/175, 181, 188, 192, 297/423.1, 423.39, 461, 462  
CPC ..... B66F 11/04; B66F 17/006; B66F 9/127; E04G 1/152  
See application file for complete search history.

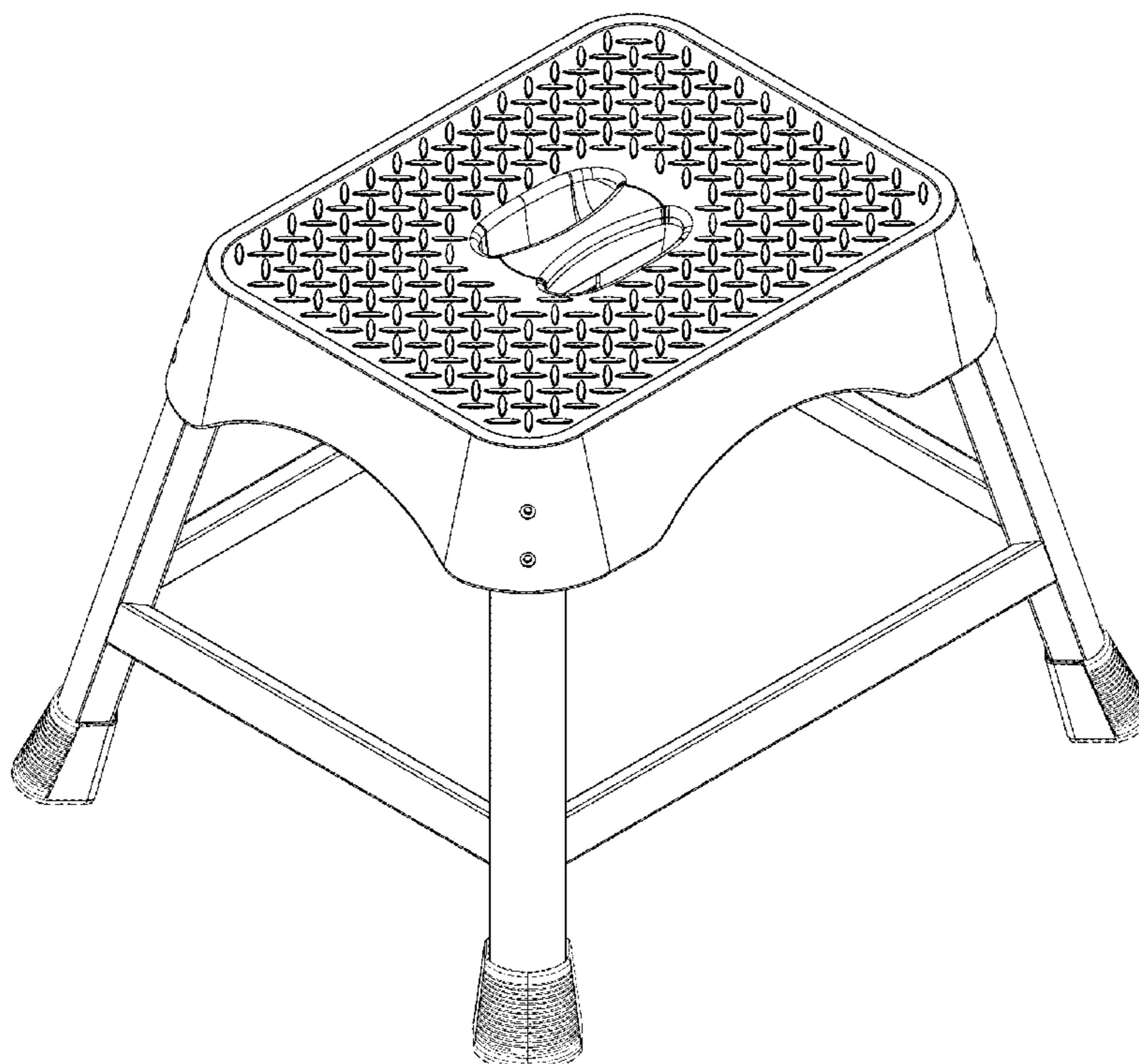
(57) **CLAIM**  
We claim the ornamental design for the one-step work platform, as shown and described.

(56) **References Cited**  
**U.S. PATENT DOCUMENTS**  
D271,256 S \* 11/1983 McClelland ..... D6/349  
D335,966 S \* 6/1993 Schwartzkopf ..... D6/349

**DESCRIPTION**

FIG. 1 is an overhead perspective view of a work platform showing our new design;  
FIG. 2 is an end elevational view thereof, the view from the other side being a mirror image of FIG. 2;  
FIG. 3 is a side elevational view thereof, the view from the other side being a mirror image of FIG. 3;  
FIG. 4 is a top plan view thereof;  
FIG. 5 is a bottom plan view thereof; and,  
FIG. 6 is an underside perspective view thereof showing our new design in a closed position.

**1 Claim, 6 Drawing Sheets**



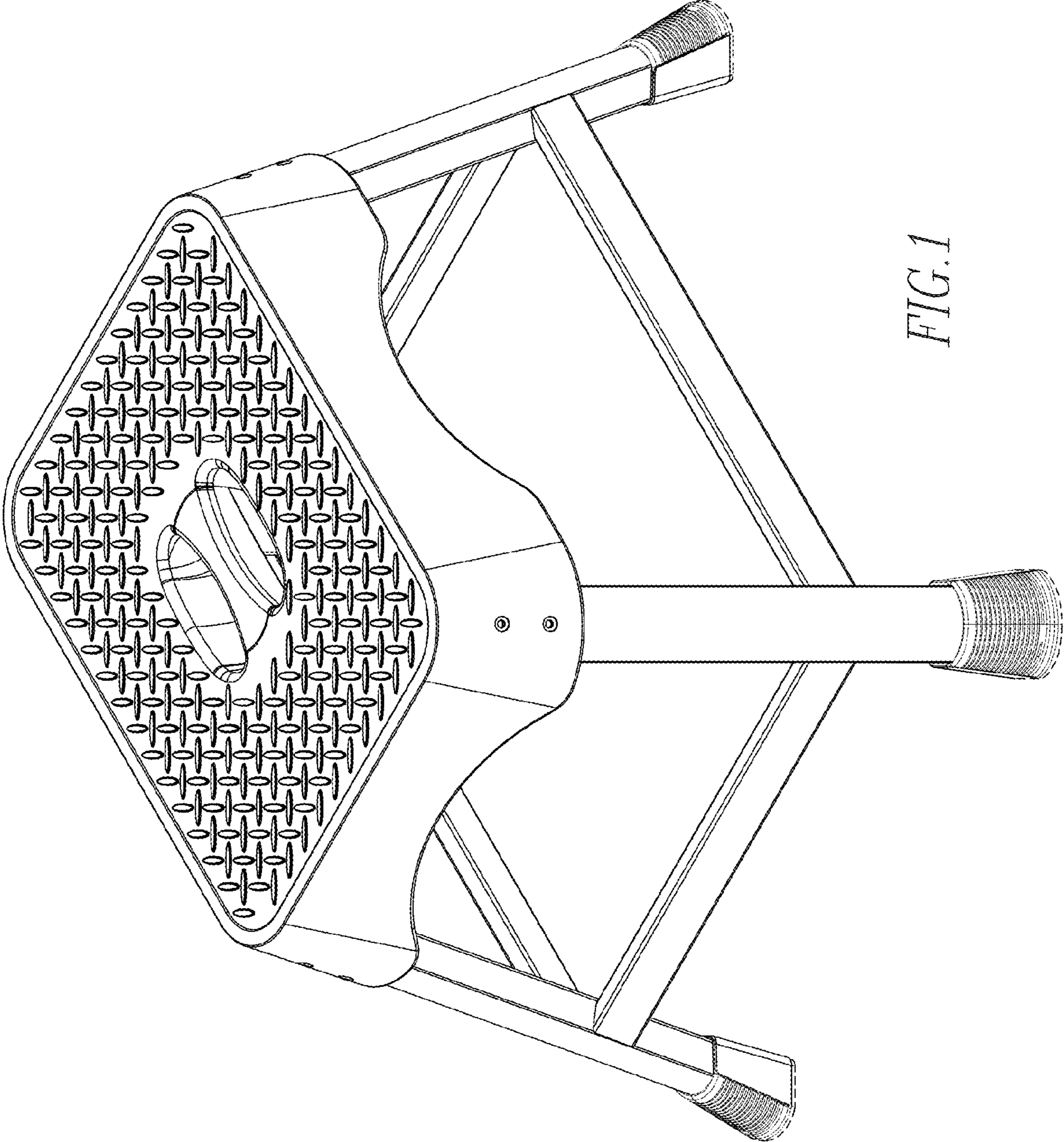


FIG. 1

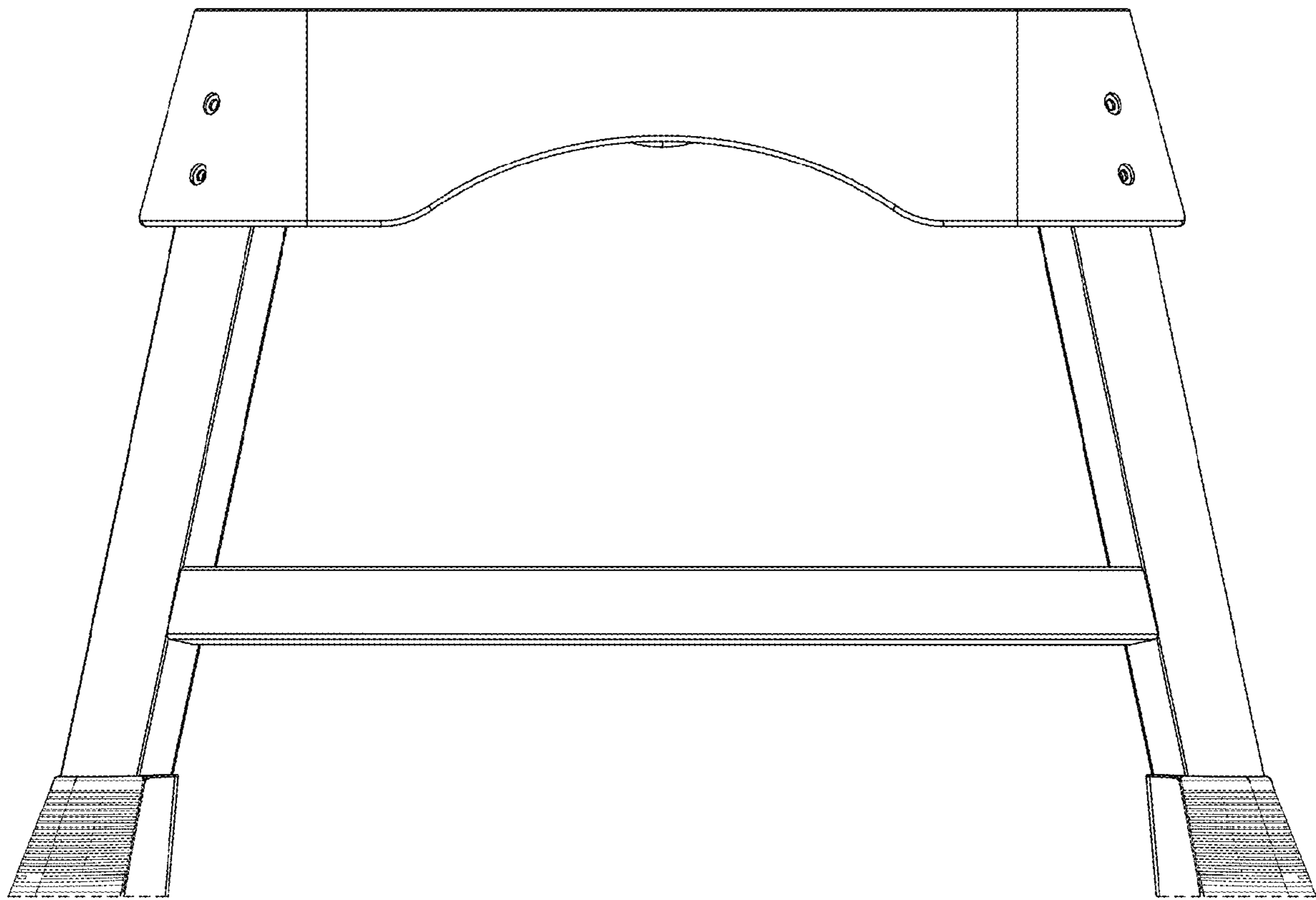


FIG. 2

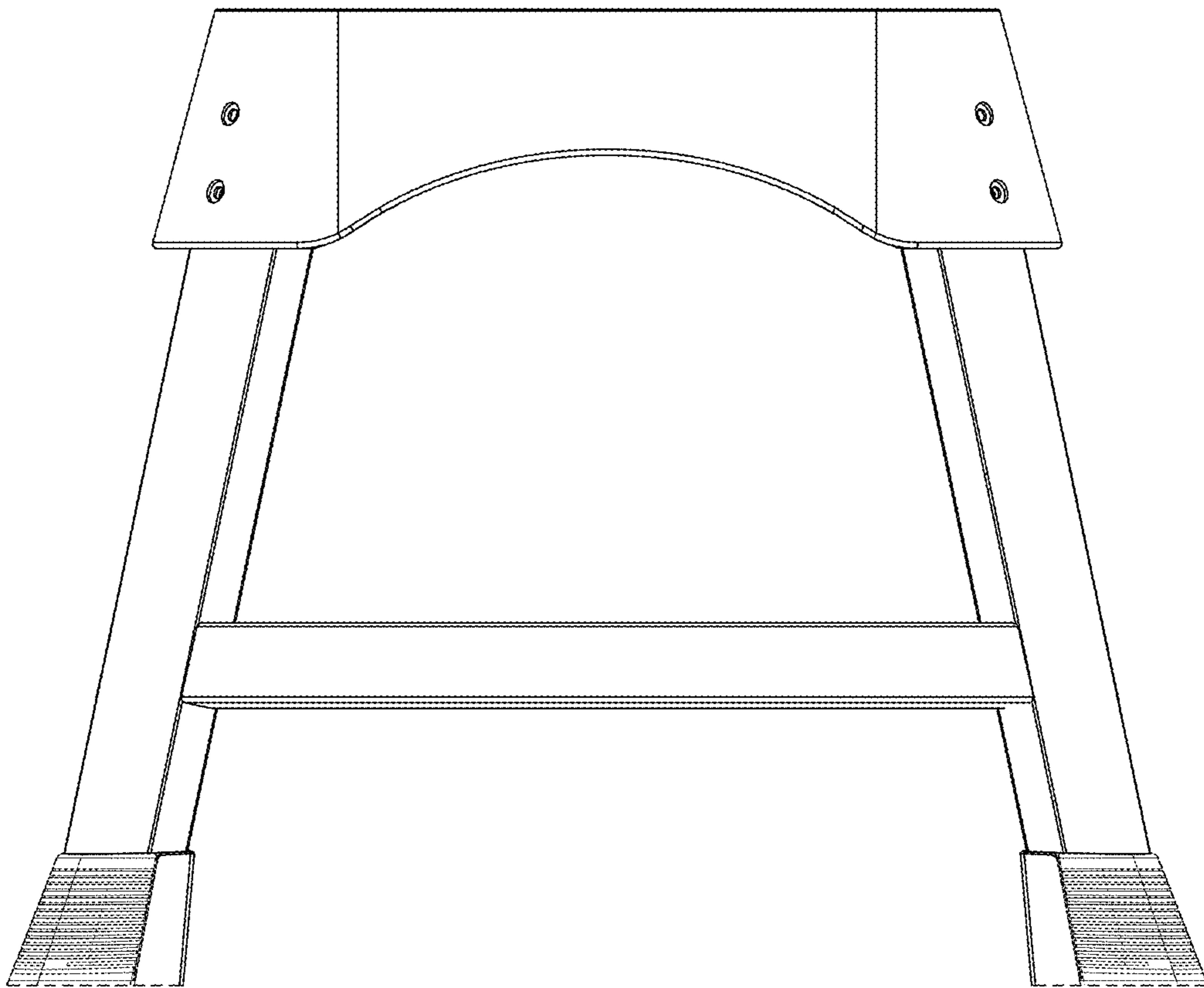


FIG. 3



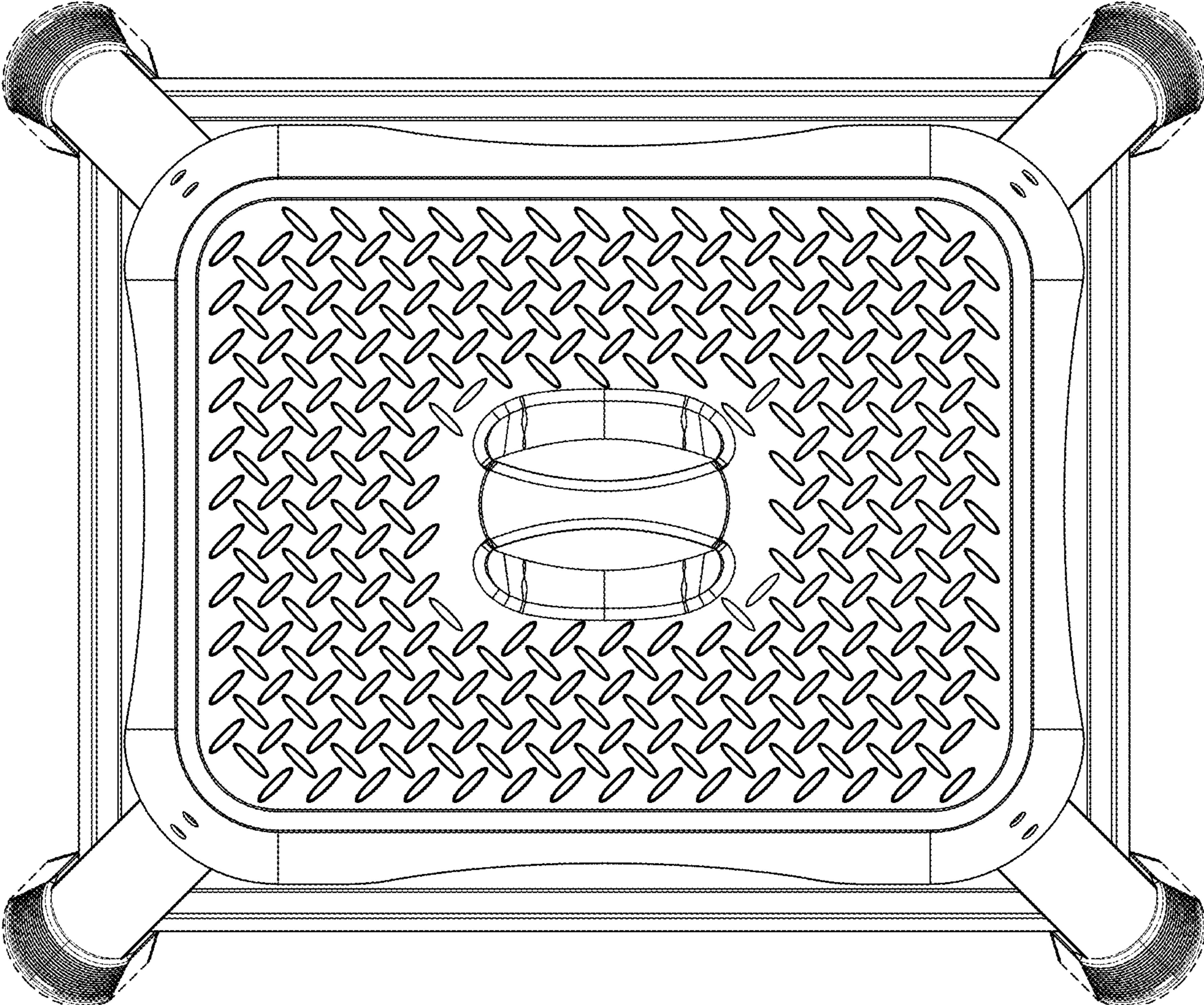


FIG. 4

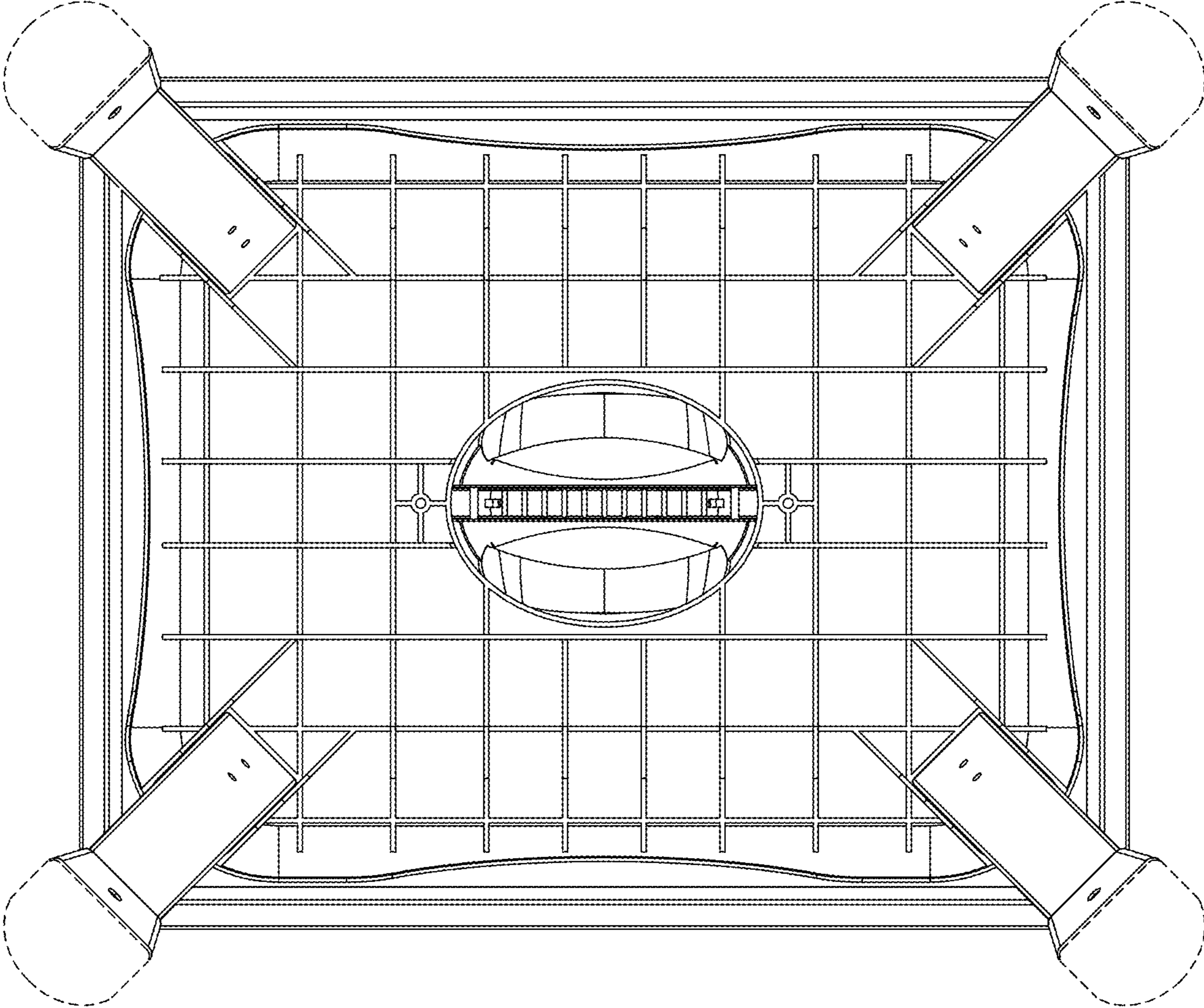


FIG. 5

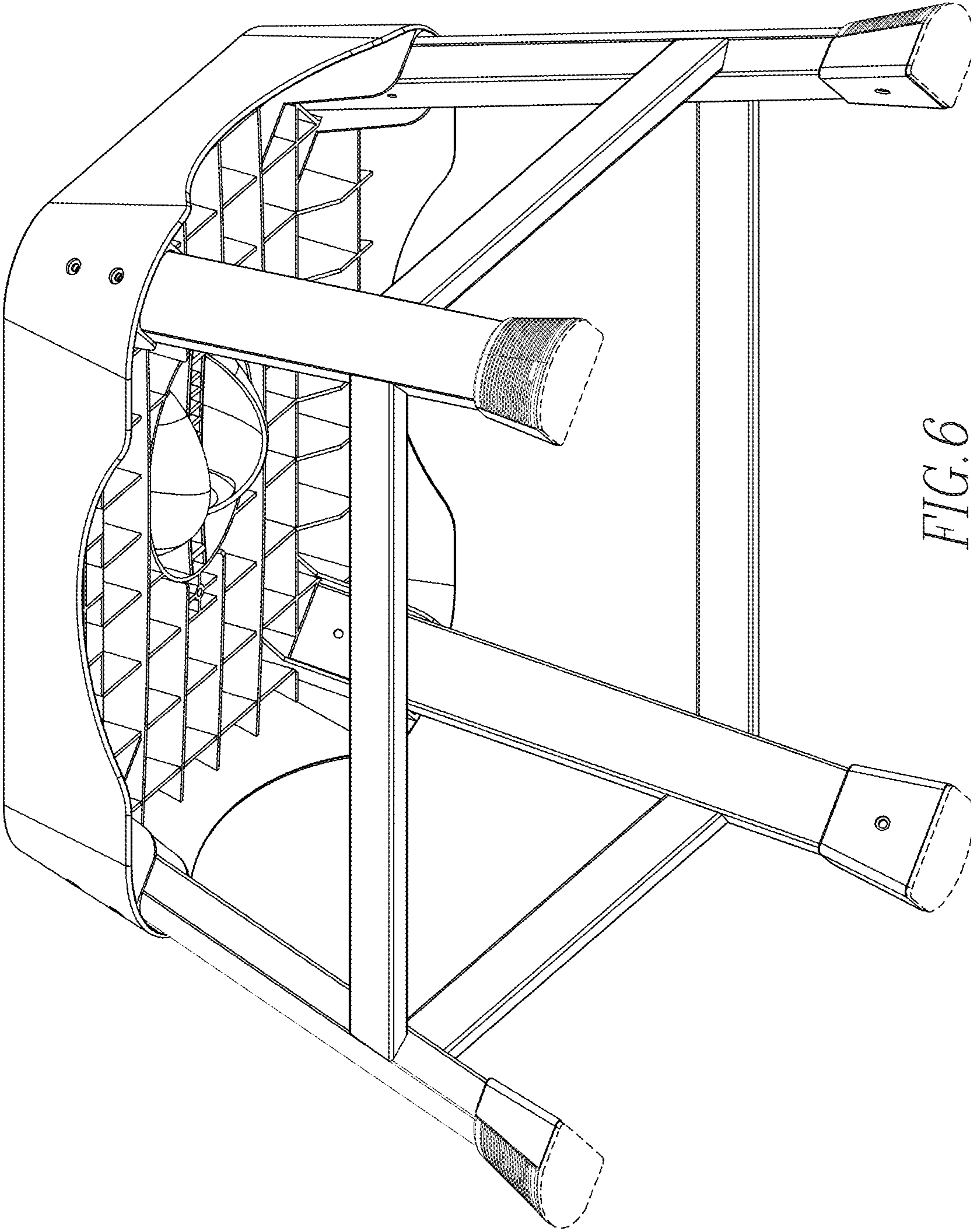


FIG. 6