



US00D935206S

(12) **United States Design Patent**
Zhao

(10) **Patent No.:** **US D935,206 S**

(45) **Date of Patent:** **** Nov. 9, 2021**

(54) **ROCK CHAIR**

(71) Applicant: **Lei Zhao**, Ninghai (CN)

(72) Inventor: **Lei Zhao**, Ninghai (CN)

(**) Term: **15 Years**

(21) Appl. No.: **29/775,118**

(22) Filed: **Mar. 22, 2021**

(51) **LOC (13) Cl.** **06-01**

(52) **U.S. Cl.**
USPC **D6/348**

(58) **Field of Classification Search**
USPC D6/334-336, 344, 348, 370, 371-373,
D6/374, 375, 379, 380, 716, 716.1, 716.2,
D6/716.3, 716.4, 709.22; D21/412, 688
CPC A47C 3/02; A47C 3/023; A47C 3/029;
A47C 4/02; A47C 4/03; A47C 4/08;
A47C 5/04; A47C 7/16; A47D 13/10;
A47D 13/102

See application file for complete search history.

(56) **References Cited**

U.S. PATENT DOCUMENTS

D112,194 S * 11/1938 Goldberg D6/348
D238,022 S * 12/1975 Payne, Jr. et al. D6/348

D360,315 S * 7/1995 Morin D6/348
D603,614 S 11/2009 Caggiano
D624,762 S 10/2010 Podsiadlo
D739,152 S * 9/2015 Adams D6/348
9,504,329 B2 * 11/2016 Adams, IV A47C 3/029
D838,115 S 1/2019 Adams
D863,795 S * 10/2019 Foersom D6/348
D892,510 S 8/2020 Lee
D899,113 S 10/2020 Lee
D900,491 S 11/2020 Chang

* cited by examiner

Primary Examiner — Mimosa De

(74) *Attorney, Agent, or Firm* — Rumit Ranjit Kanakia

(57) **CLAIM**

I claim the ornamental design for a rock chair, as shown and described.

DESCRIPTION

FIG. 1 is a Perspective view of a rock chair showing my new design;

FIG. 2 is a Front view thereof;

FIG. 3 is a Back view thereof;

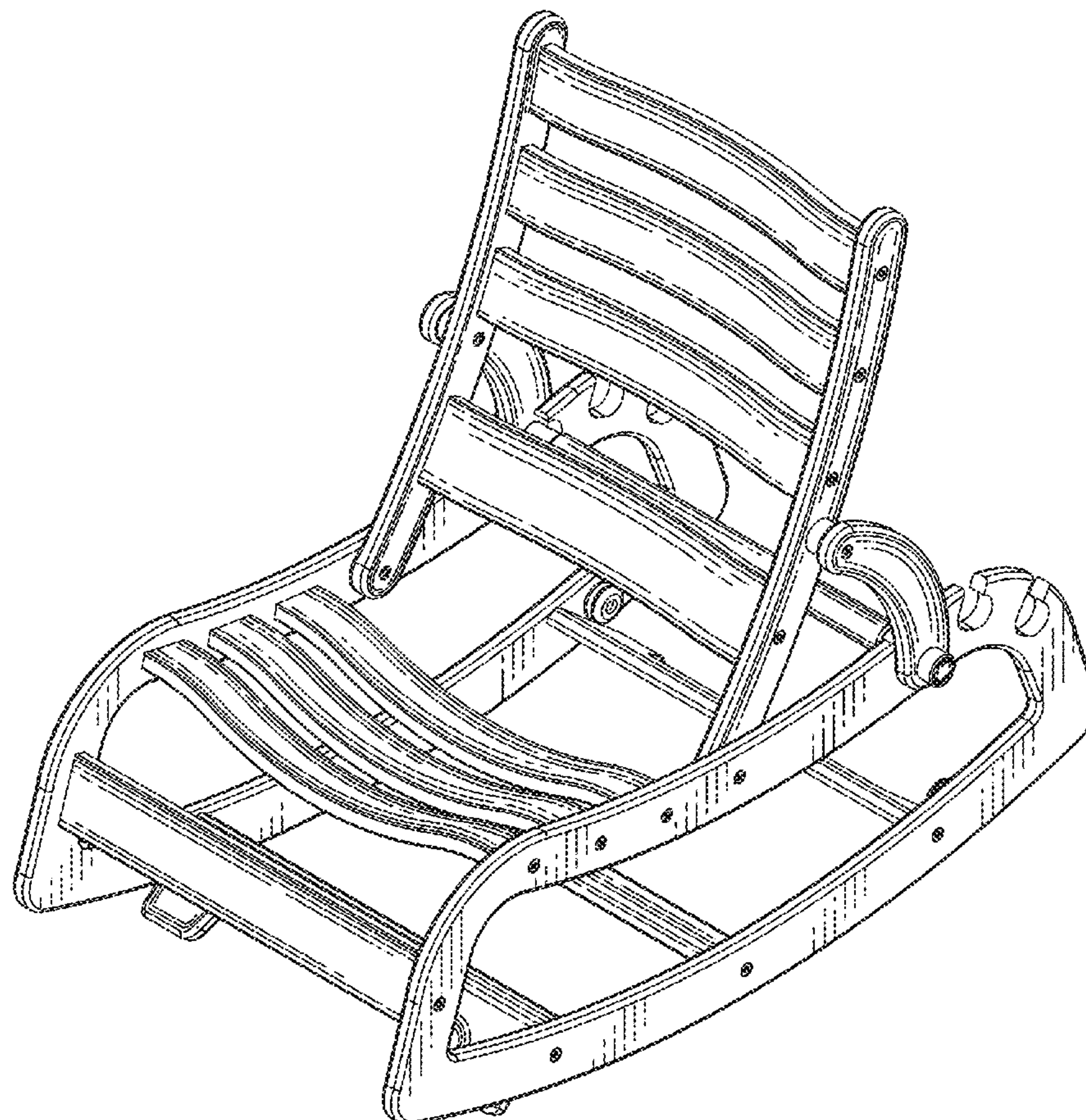
FIG. 4 is a Right-side view thereof;

FIG. 5 is a Left-side view thereof;

FIG. 6 is a Top view thereof; and,

FIG. 7 is a Bottom view thereof.

1 Claim, 7 Drawing Sheets



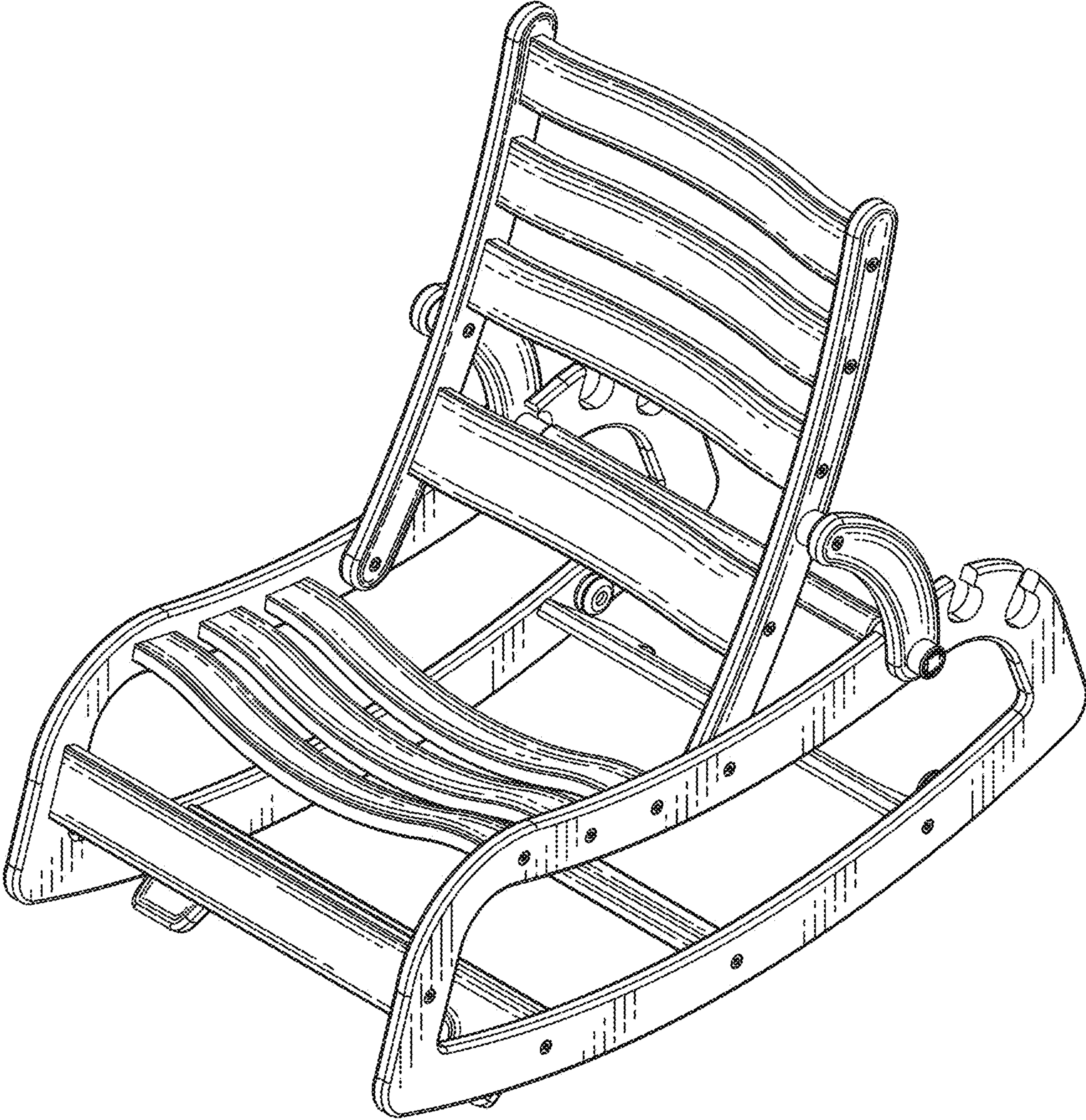


FIG.1

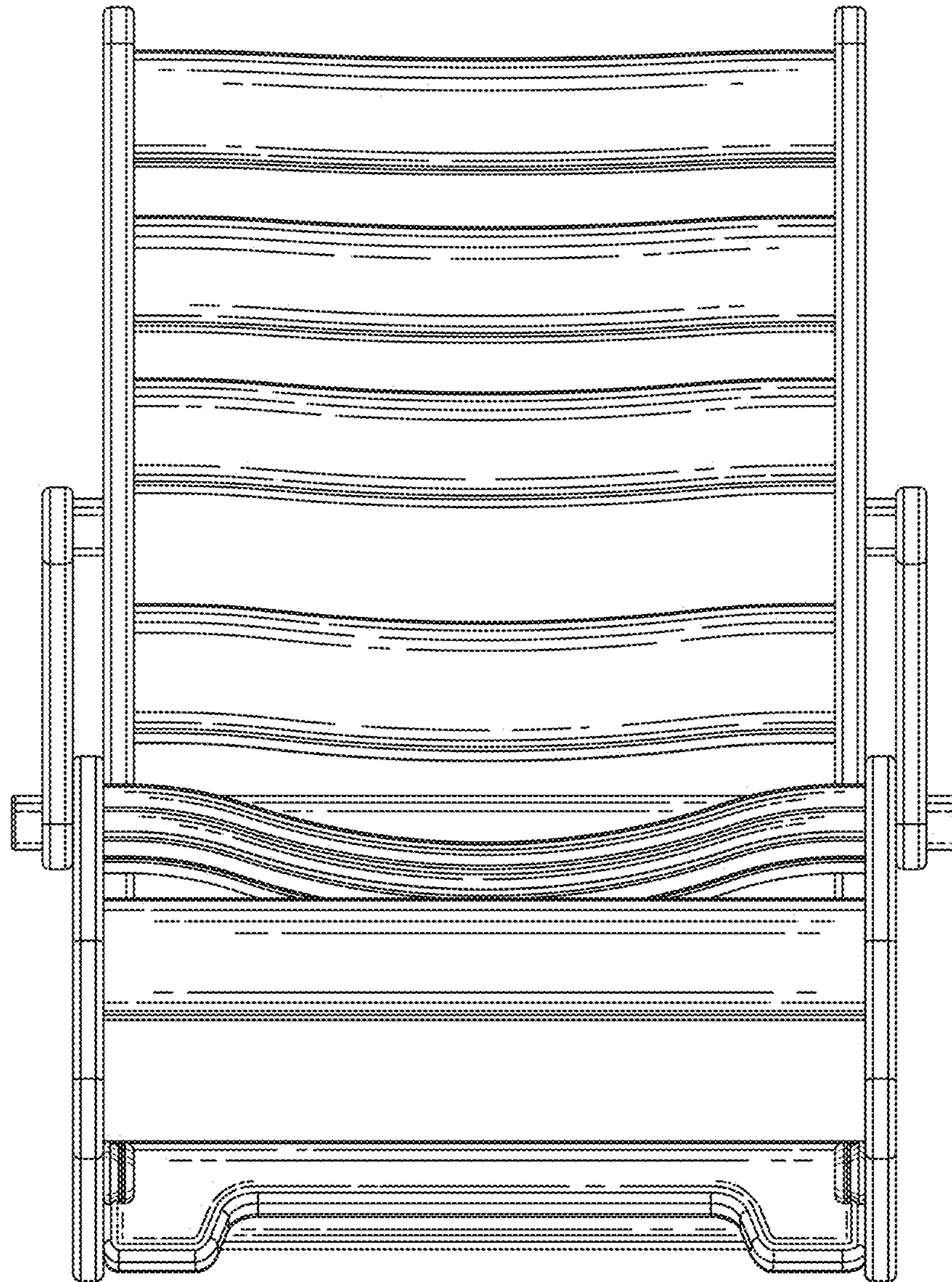


FIG.2

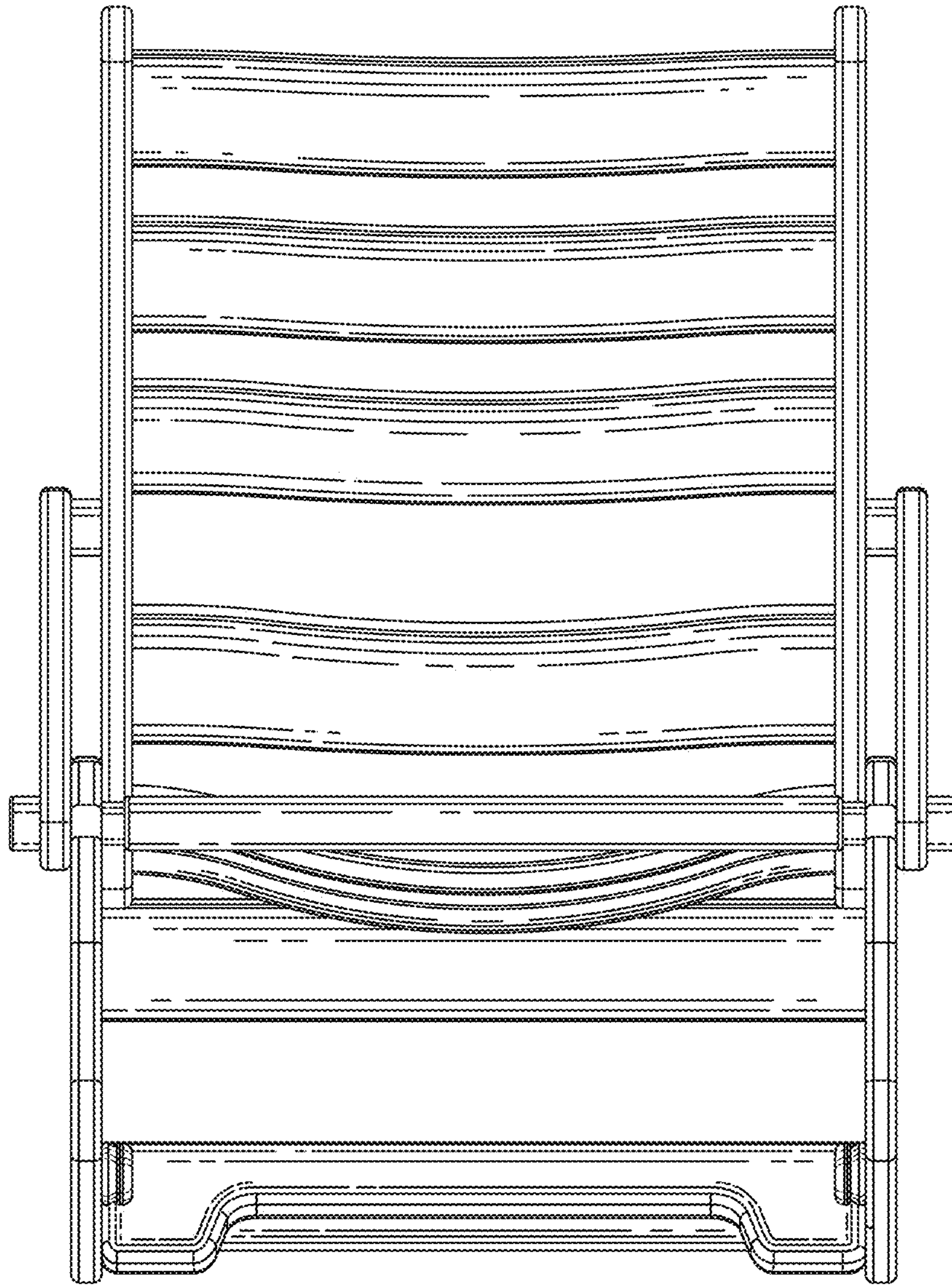


FIG.3

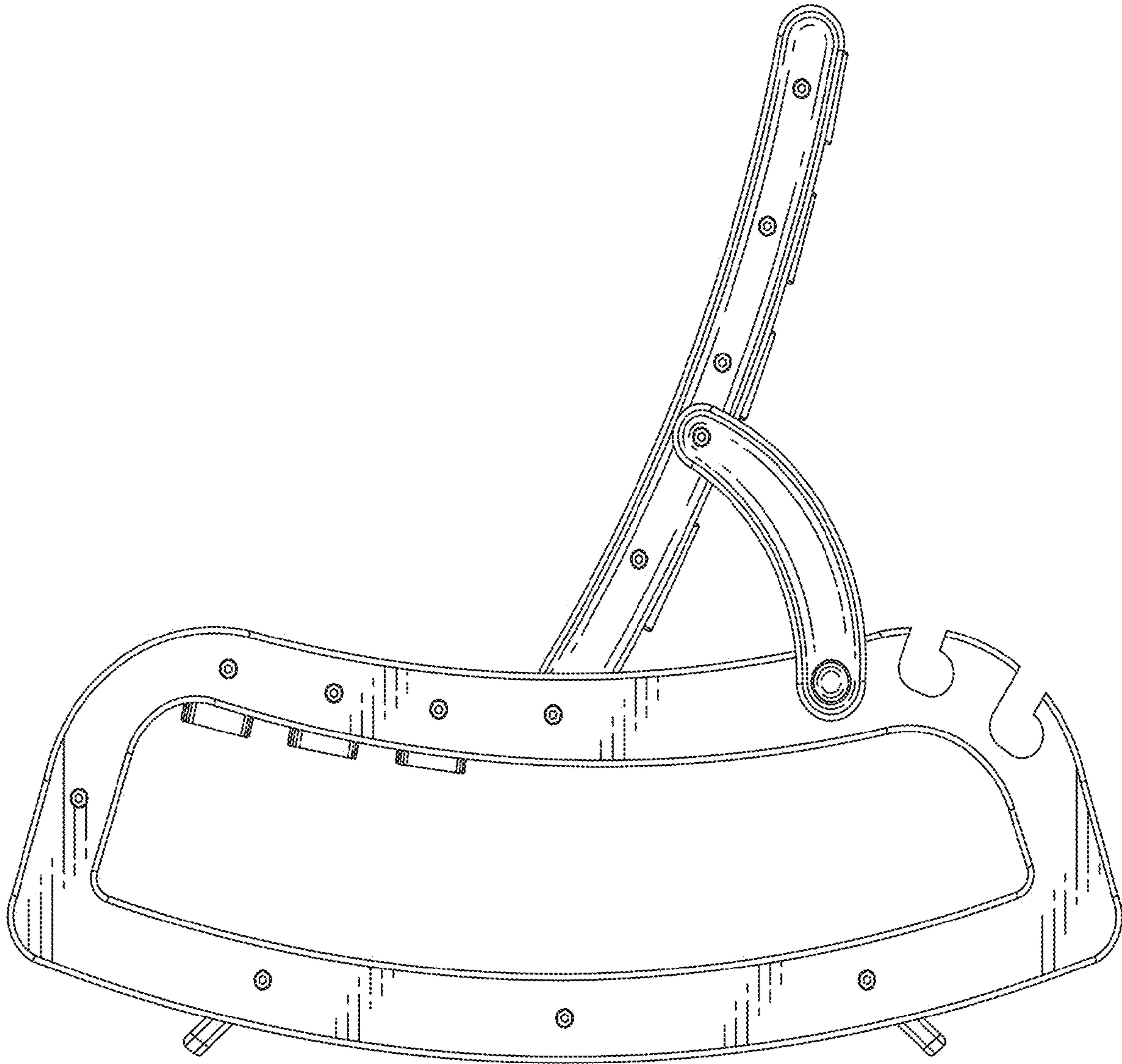


FIG.4

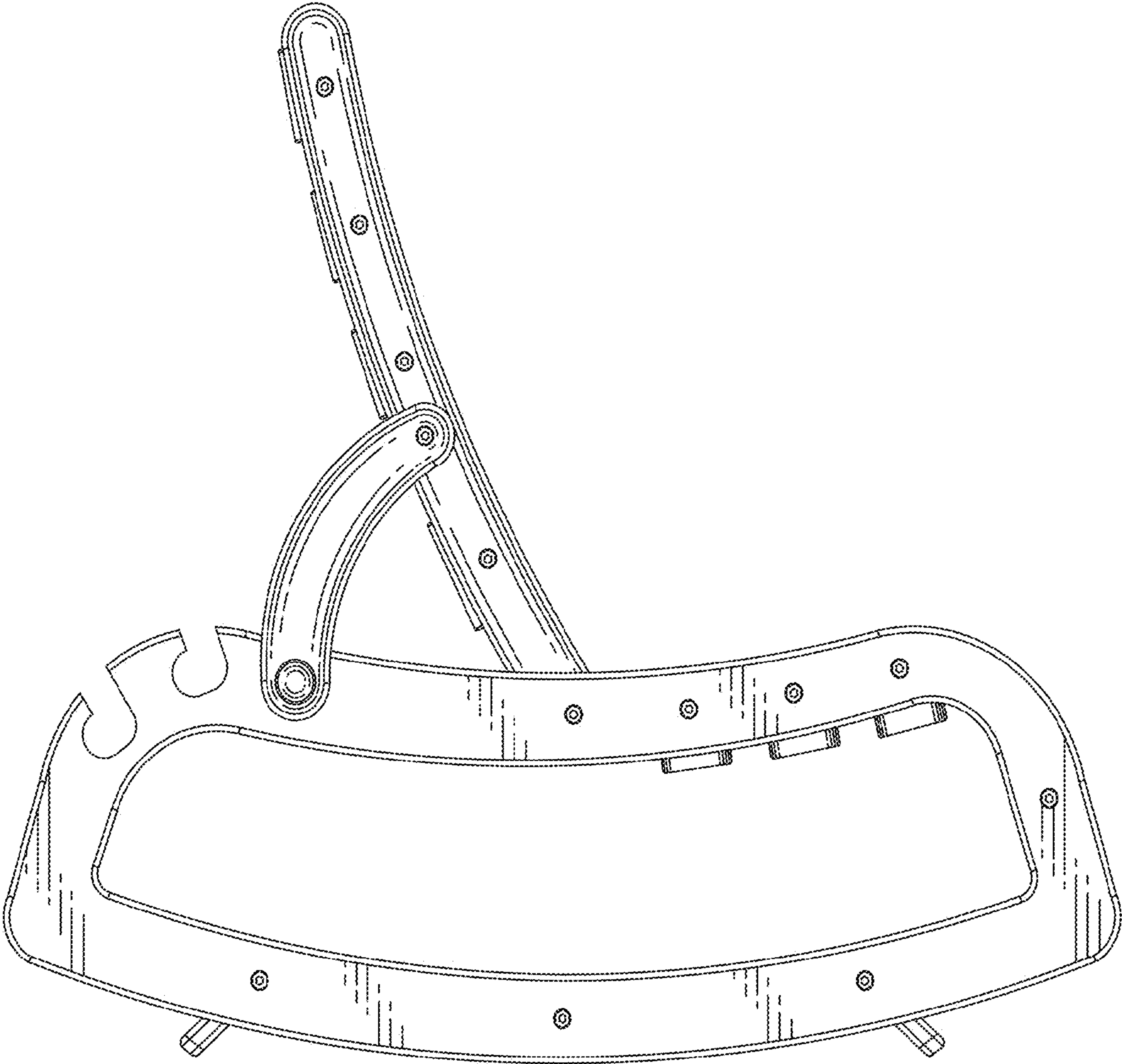


FIG.5

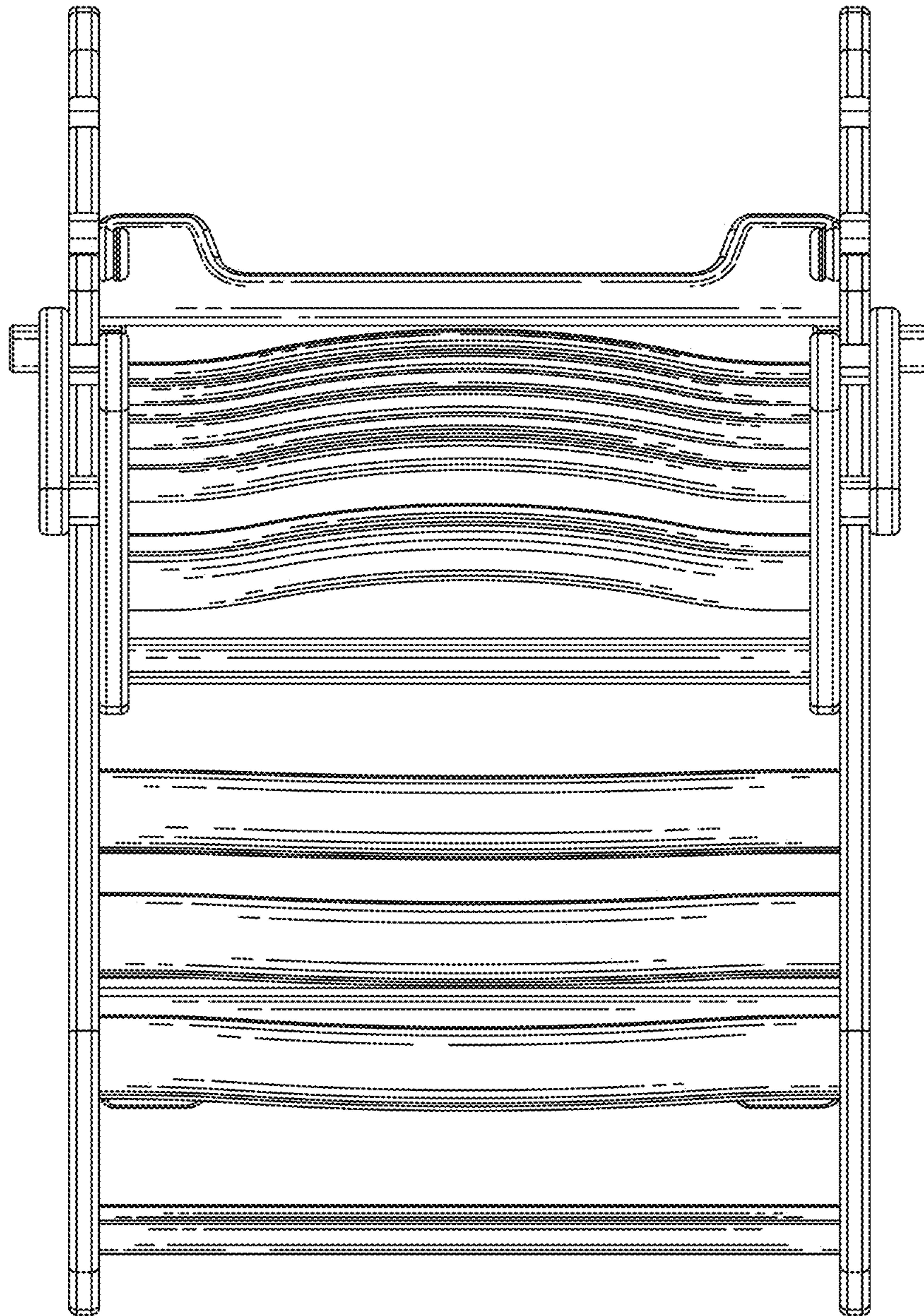


FIG.6

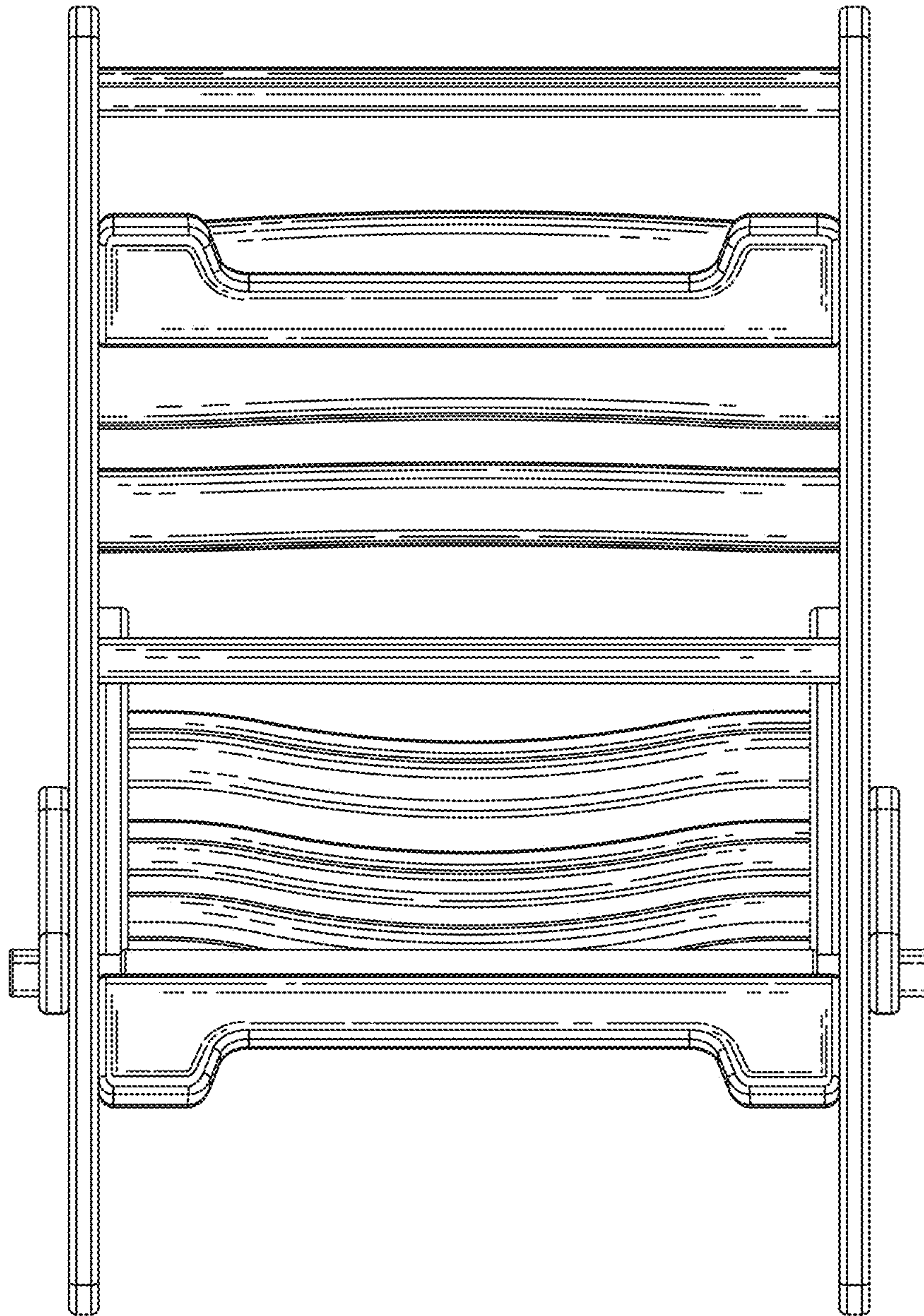


FIG. 7