



US00D935204S

(12) **United States Design Patent** (10) **Patent No.:** **US D935,204 S**  
**Cowlin et al.** (45) **Date of Patent:** **\*\* Nov. 9, 2021**

(54) **DOUBLE HOOK**  
(71) Applicant: **Taymor Industries Ltd.**, Delta (CA)  
(72) Inventors: **Mark Cowlin**, West Vancouver (CA);  
**Karolina Richards**, Vancouver (CA)  
(73) Assignee: **Taymor Industries Ltd.**, Delta (CA)  
(\*\*) Term: **15 Years**  
(21) Appl. No.: **29/772,055**  
(22) Filed: **Feb. 26, 2021**

D569,704 S 5/2008 Ricereto  
D574,224 S \* 8/2008 Zhang ..... D8/372  
D583,222 S \* 12/2008 Rota ..... D8/367  
D665,650 S \* 8/2012 Ogden, Jr. .... D8/354  
D683,987 S 6/2013 Bickler et al.  
D764,890 S 8/2016 Shoemaker et al.  
D771,408 S 11/2016 Garland  
D772,599 S \* 11/2016 Kovari ..... D6/522  
D790,874 S 7/2017 Eads  
D797,468 S \* 9/2017 Andrew ..... D6/540  
D814,825 S 4/2018 Ravassa et al.  
D818,352 S \* 5/2018 Kundig ..... D8/367

(Continued)

**Related U.S. Application Data**

(62) Division of application No. 29/709,938, filed on Oct. 18, 2019.

**Foreign Application Priority Data**

Jun. 28, 2019 (CA) ..... CA 188435

(51) **LOC (13) Cl.** ..... **06-08**

(52) **U.S. Cl.**  
USPC ..... **D6/323; D8/372**

(58) **Field of Classification Search**  
USPC ..... D6/546, 548, 549, 323; D8/367, 372  
CPC . A47H 1/00; A47H 1/10; A47H 1/102; A47G  
1/17; F16B 45/00; F16B 47/00  
See application file for complete search history.

**References Cited**

**U.S. PATENT DOCUMENTS**

D230,228 S \* 2/1974 Dupre ..... D6/520  
D370,617 S 6/1996 Decursu et al.  
D416,139 S \* 11/1999 Roth ..... D6/323  
D439,091 S 3/2001 Milrud et al.  
D439,092 S 3/2001 Wu  
D449,215 S 10/2001 Bertani  
D450,566 S \* 11/2001 Gottwald ..... D6/323  
D464,812 S \* 10/2002 Yen ..... D6/323

**OTHER PUBLICATIONS**

Taymor website, Slip Stream double robe hook, Sep. 21, 2020, <https://www.taymor.com/en/products/bathware/slip-stream-double-robe-hook-0> (Year: 2020).\*

(Continued)

*Primary Examiner* — Nathan M Johnston

(74) *Attorney, Agent, or Firm* — Borden Ladner Gervais LLP; Curtis B. Behmann

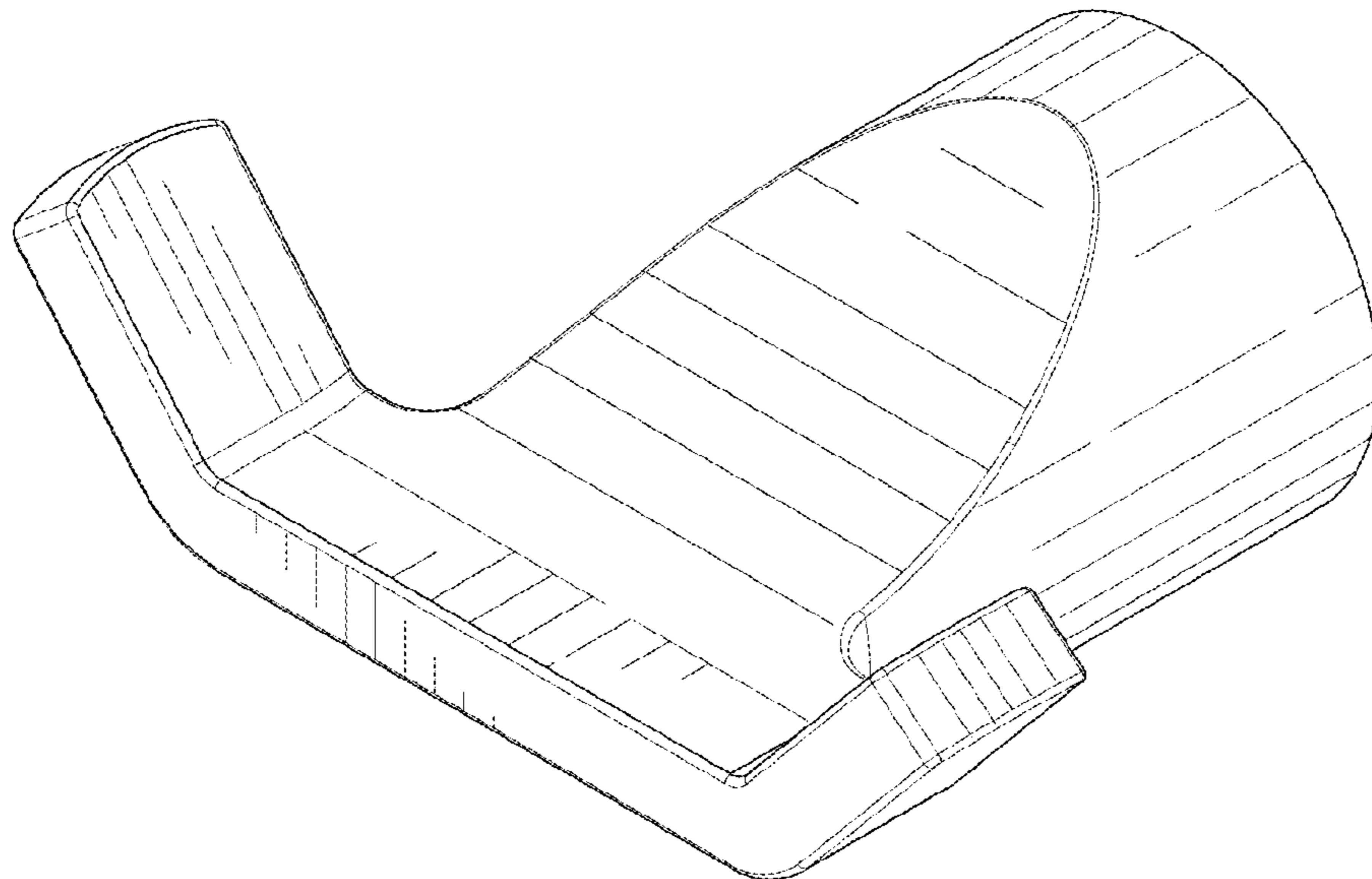
(57) **CLAIM**

The ornamental design for a double hook, as shown and described.

**DESCRIPTION**

FIG. 1 is a front perspective view of a double hook showing the design;  
FIG. 2 is a front view thereof;  
FIG. 3 is a rear view thereof;  
FIG. 4 is a left side view thereof;  
FIG. 5 is a right side view thereof;  
FIG. 6 is a top view thereof; and,  
FIG. 7 is a bottom view thereof.  
The broken lines show portions of the double hook that form no part of the claimed design.

**1 Claim, 4 Drawing Sheets**



(56)

**References Cited**

U.S. PATENT DOCUMENTS

D847,620 S \* 5/2019 Umholtz ..... D8/372  
D857,418 S \* 8/2019 Garland ..... D6/523  
D859,590 S 9/2019 Wieser et al.  
D897,724 S 10/2020 Garland  
D898,409 S \* 10/2020 Sisto ..... D6/523

OTHER PUBLICATIONS

Taymor Website, Slip Stream Hand Towel Bar, Sep. 21, 2020, <https://www.taymor.com/en/products/bathware/slip-stream-hand-towel-bar-O>(Year: 2020).

Taymor Website, Slip stream Paper Holder, Sep. 21, 2020, <https://www.taymor.com/en/products/bathware/slip-stream-paper-holder-right-O>(Year: 2020).

U.S. Appl. No. 29/709,938, Requirement for Restriction Office action dated Dec. 30, 2020.

U.S. Appl. No. 29/709,938, Non-Final Office Action dated Apr. 26, 2021.

\* cited by examiner

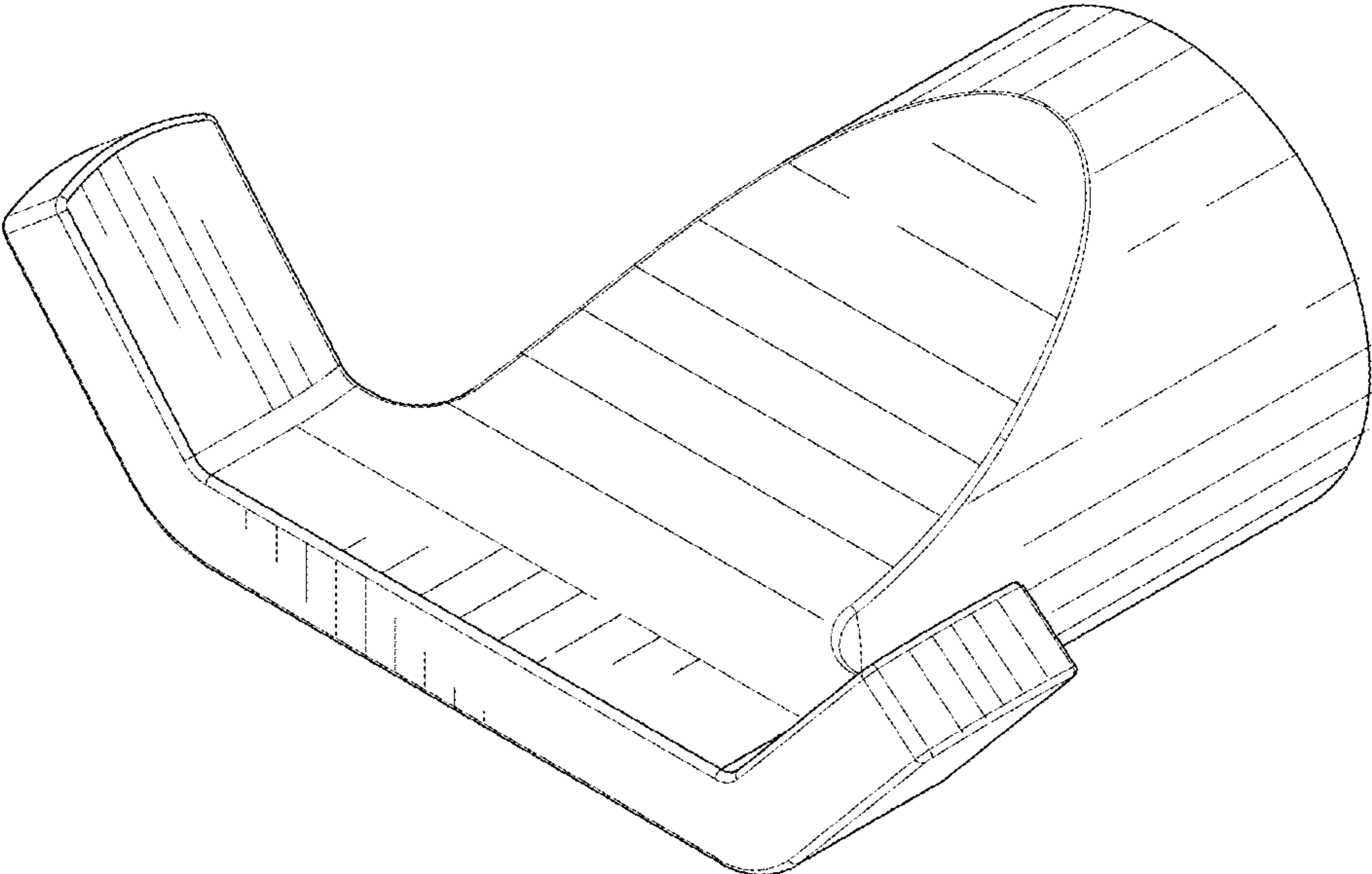


FIG. 1

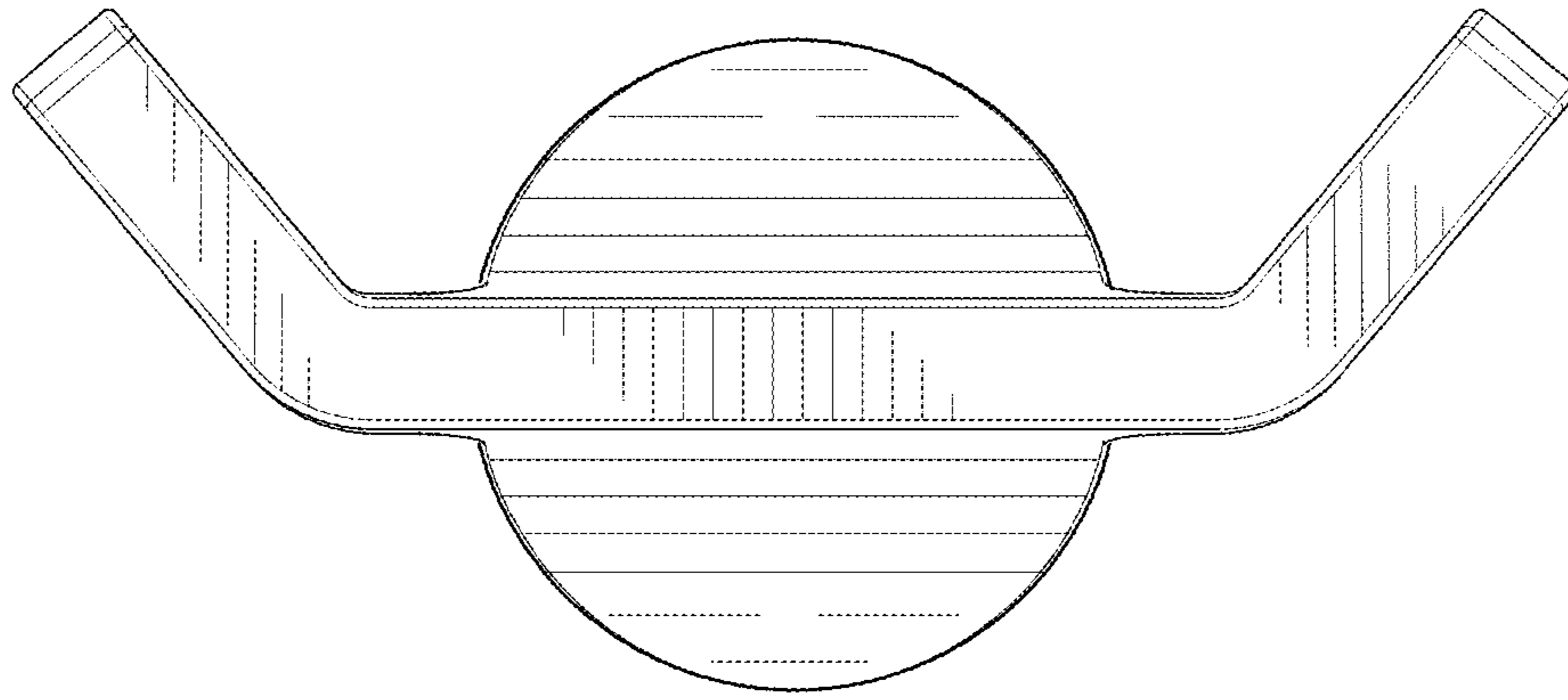


FIG. 2

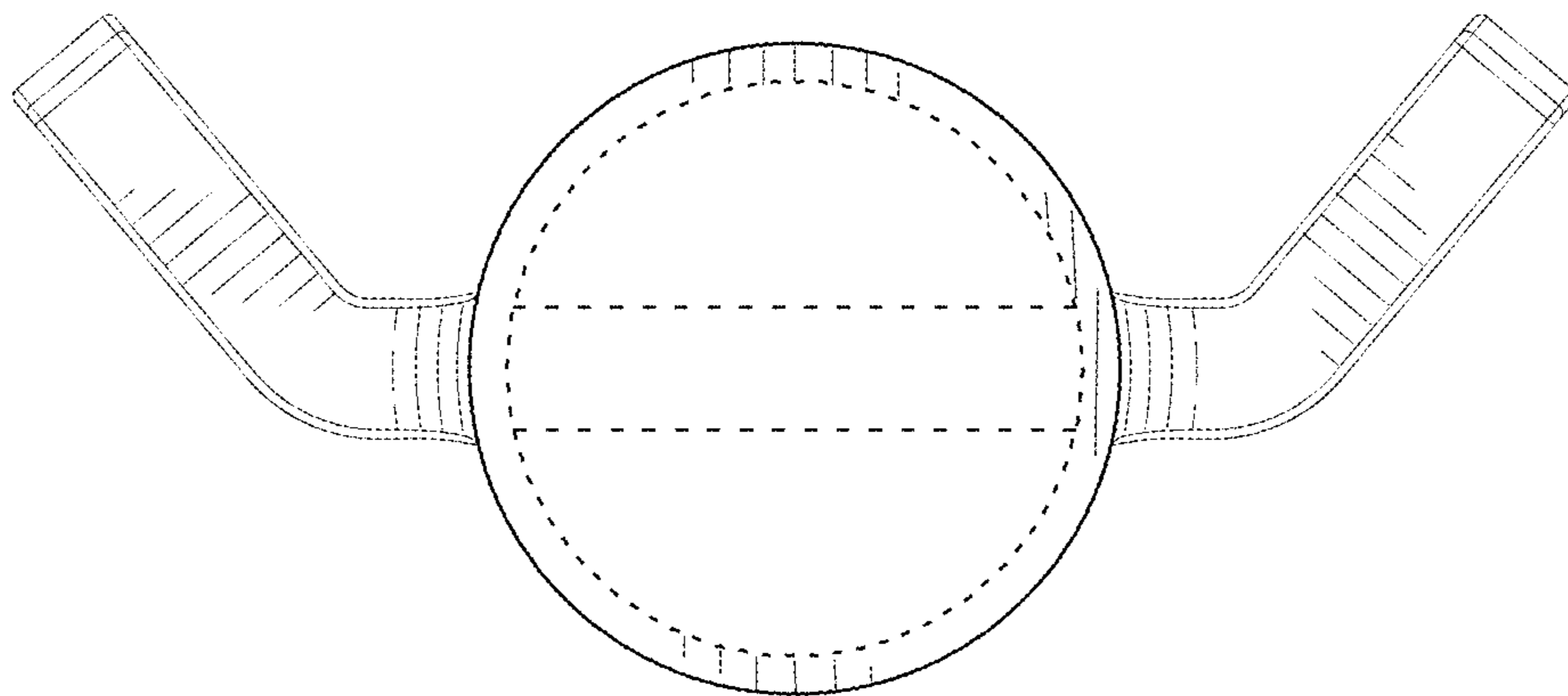


FIG. 3

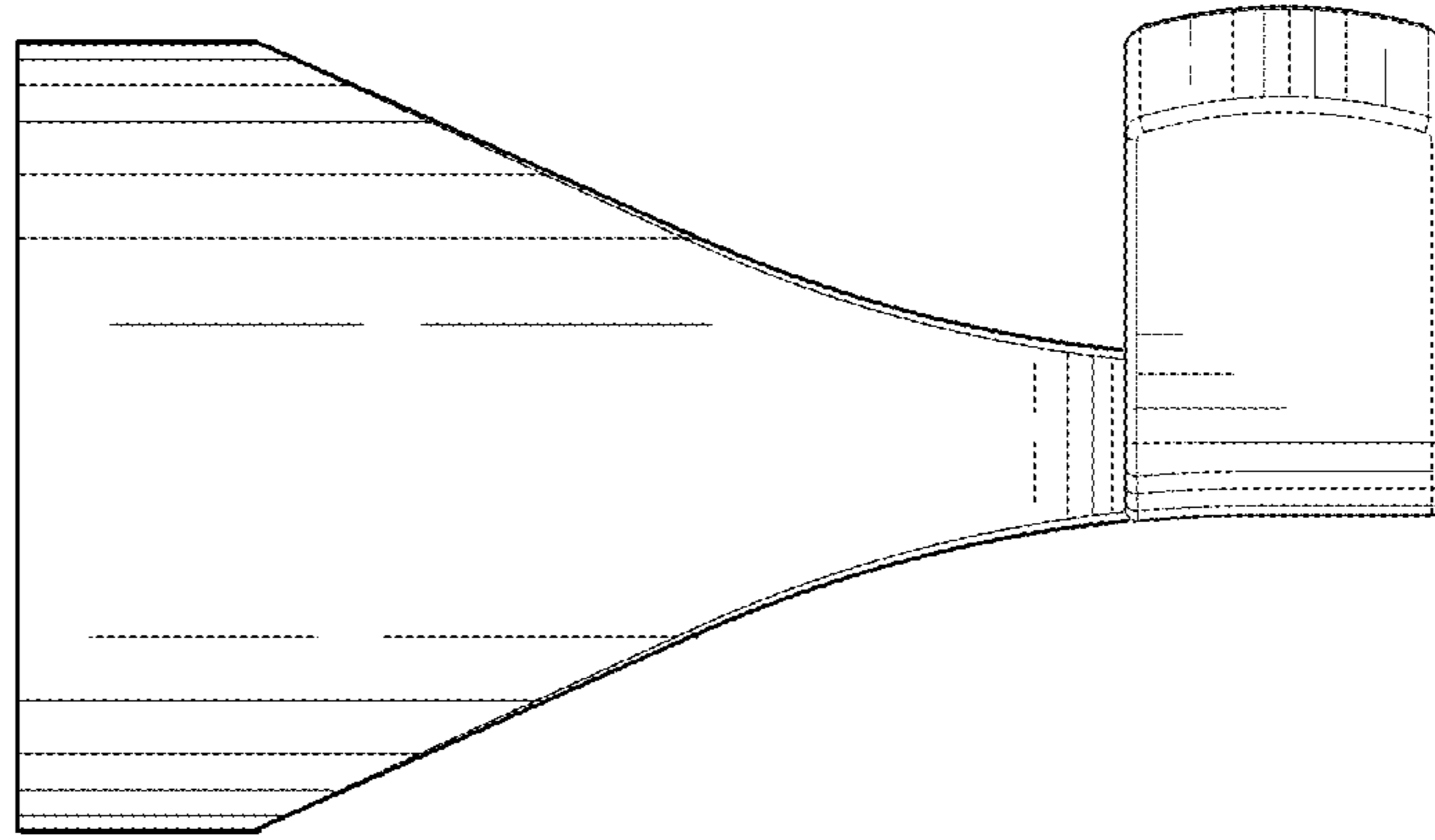


FIG. 4

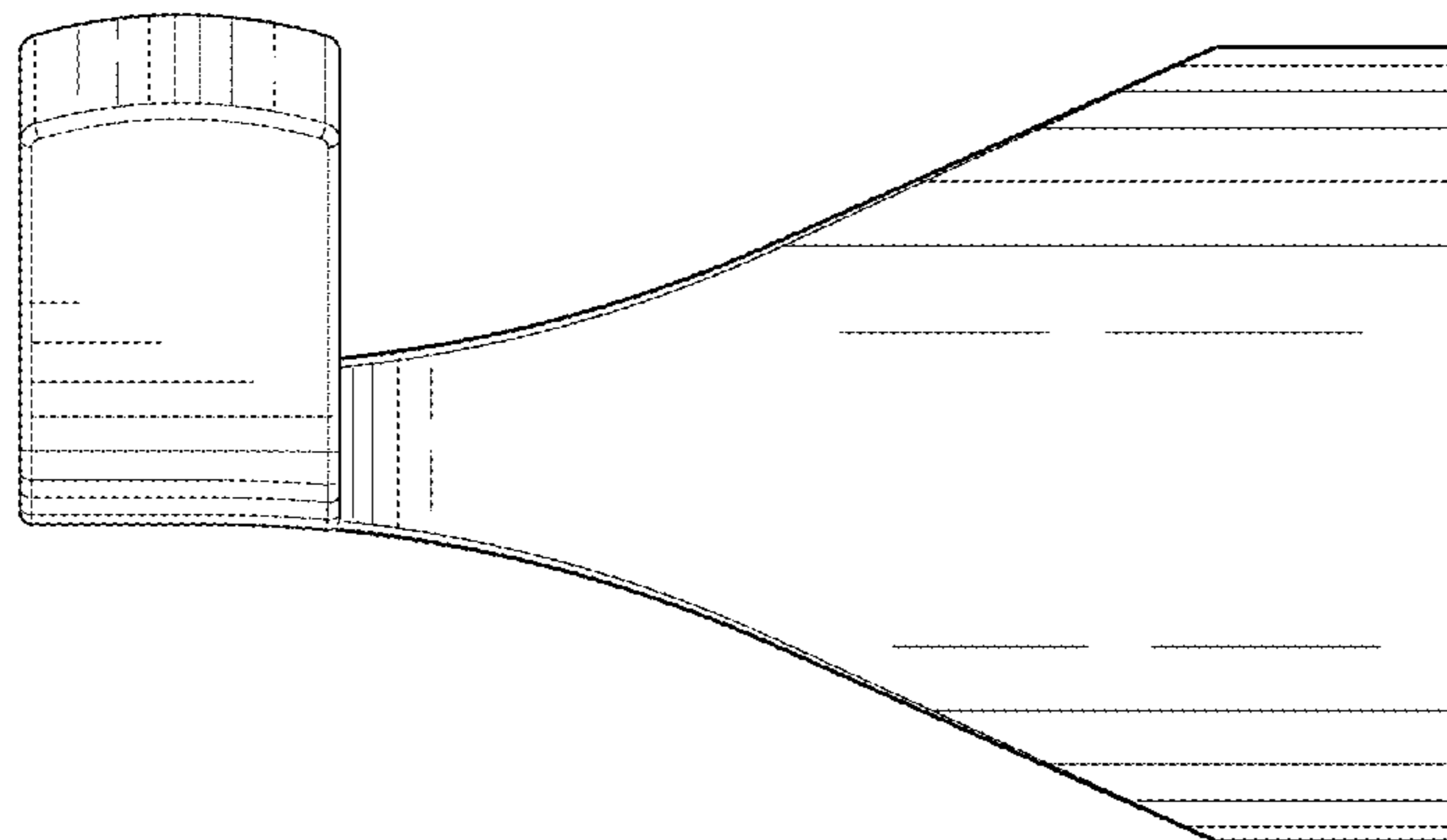


FIG. 5

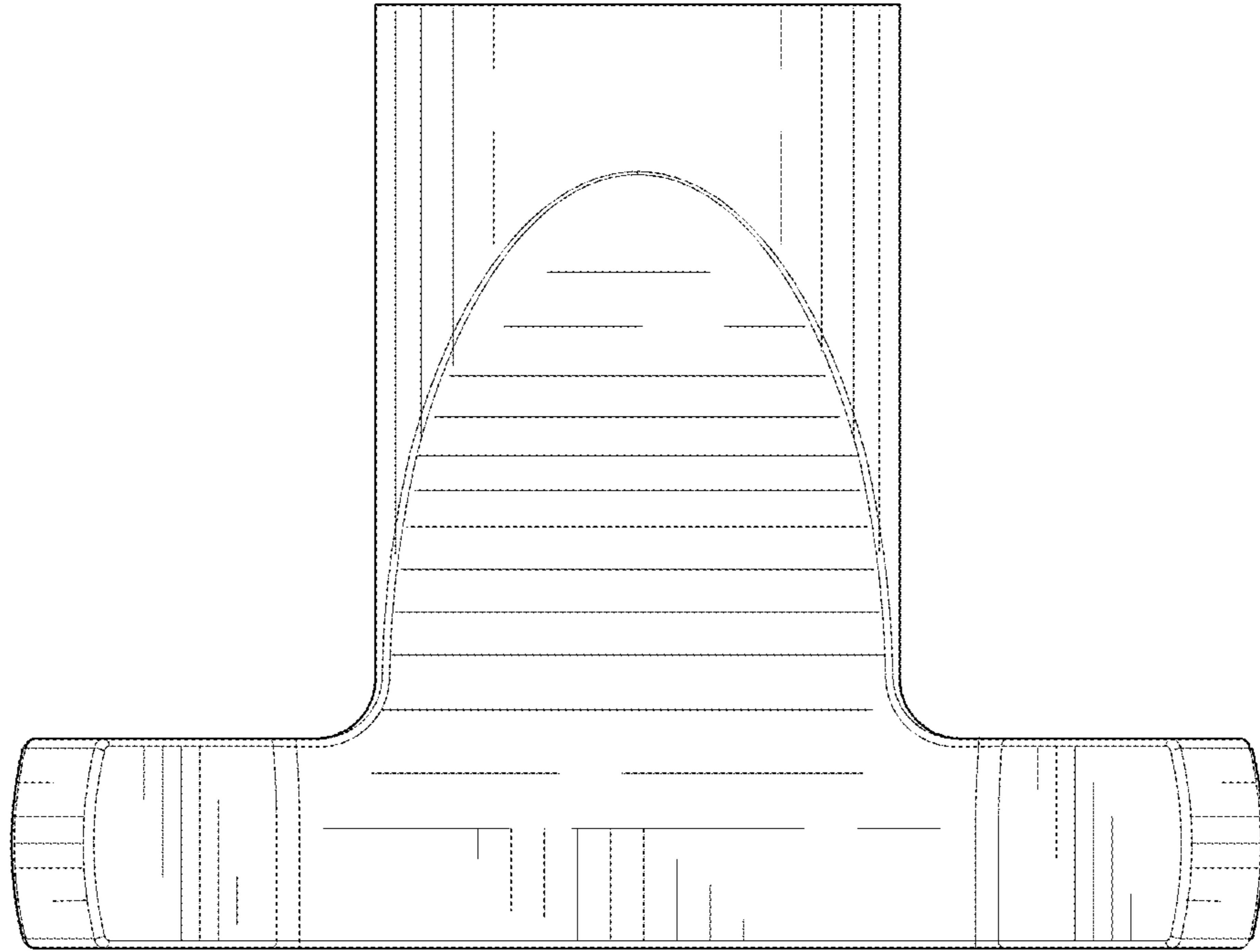


FIG. 6

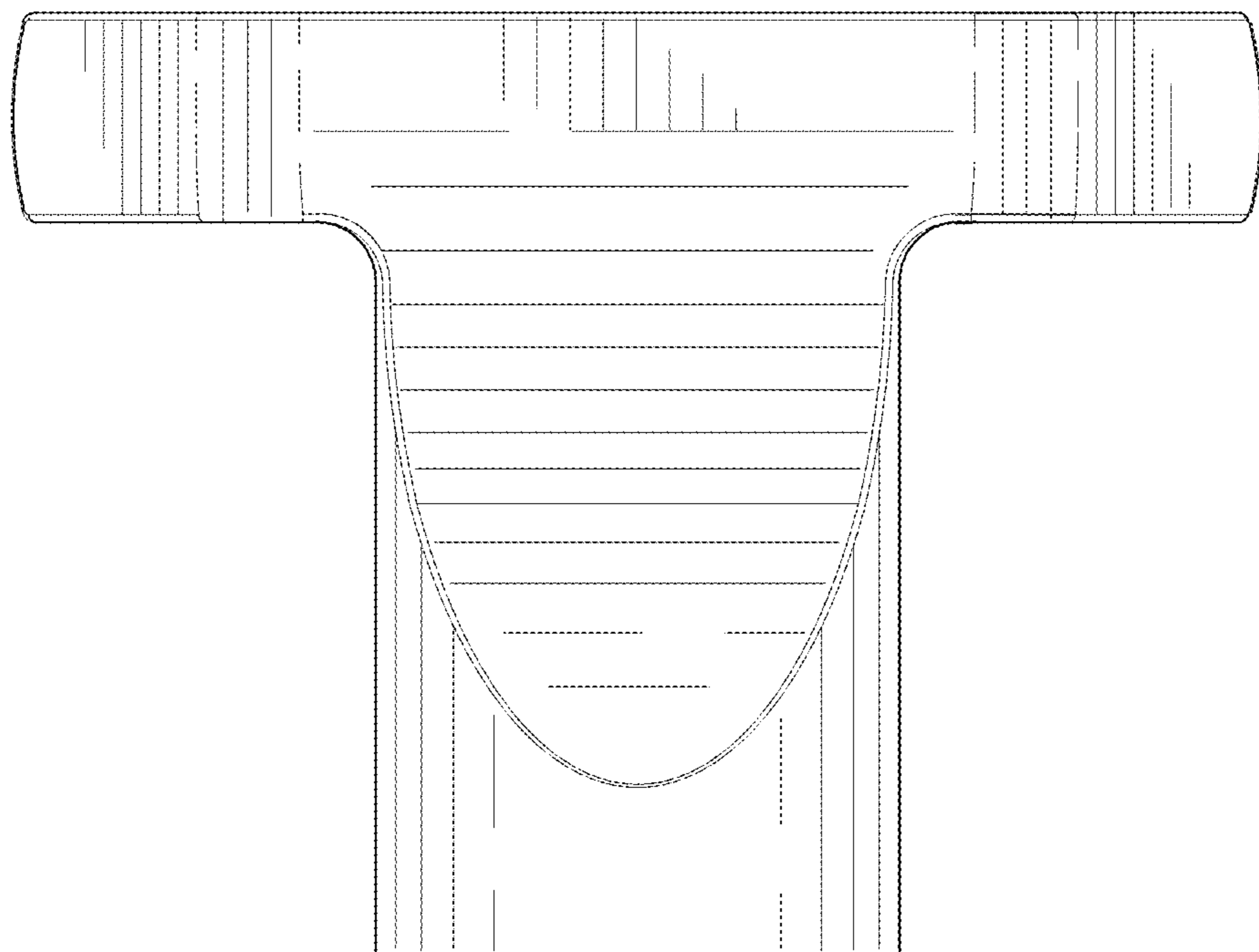


FIG. 7