



US00D935202S

(12) **United States Design Patent**
Yang

(10) **Patent No.:** **US D935,202 S**

(45) **Date of Patent:** **** Nov. 9, 2021**

(54) **MAKEUP MIRROR**

(71) Applicant: **DONGGUAN POWERME PLASTIC MFG. CO., LTD.**, Dongguan (CN)

(72) Inventor: **Guowei Yang**, Dongguan (CN)

(73) Assignee: **DONGGUAN POWERME PLASTIC MFG. CO., LTD.**, Dongguan (CN)

(**) Term: **15 Years**

(21) Appl. No.: **29/763,004**

(22) Filed: **Dec. 21, 2020**

(51) **LOC (13) Cl.** **06-07**

(52) **U.S. Cl.**
USPC **D6/310**

(58) **Field of Classification Search**
USPC D6/300-314
CPC A47G 1/00; A47G 1/02; F21V 33/004;
A45D 42/10
See application file for complete search history.

(56) **References Cited**

U.S. PATENT DOCUMENTS

D259,862 S * 7/1981 You D10/2
D426,962 S * 6/2000 Au-Yeung D6/300

D743,704 S * 11/2015 Kaiser D6/300
D749,329 S * 2/2016 Kaiser D6/300
D829,007 S * 9/2018 Choi D6/310
D865,374 S 11/2019 Yang
D880,171 S 4/2020 Yang
D905,445 S * 12/2020 Yang D6/310
D925,239 S * 7/2021 Cai D6/312

* cited by examiner

Primary Examiner — Deanna L Pratt

(57) **CLAIM**

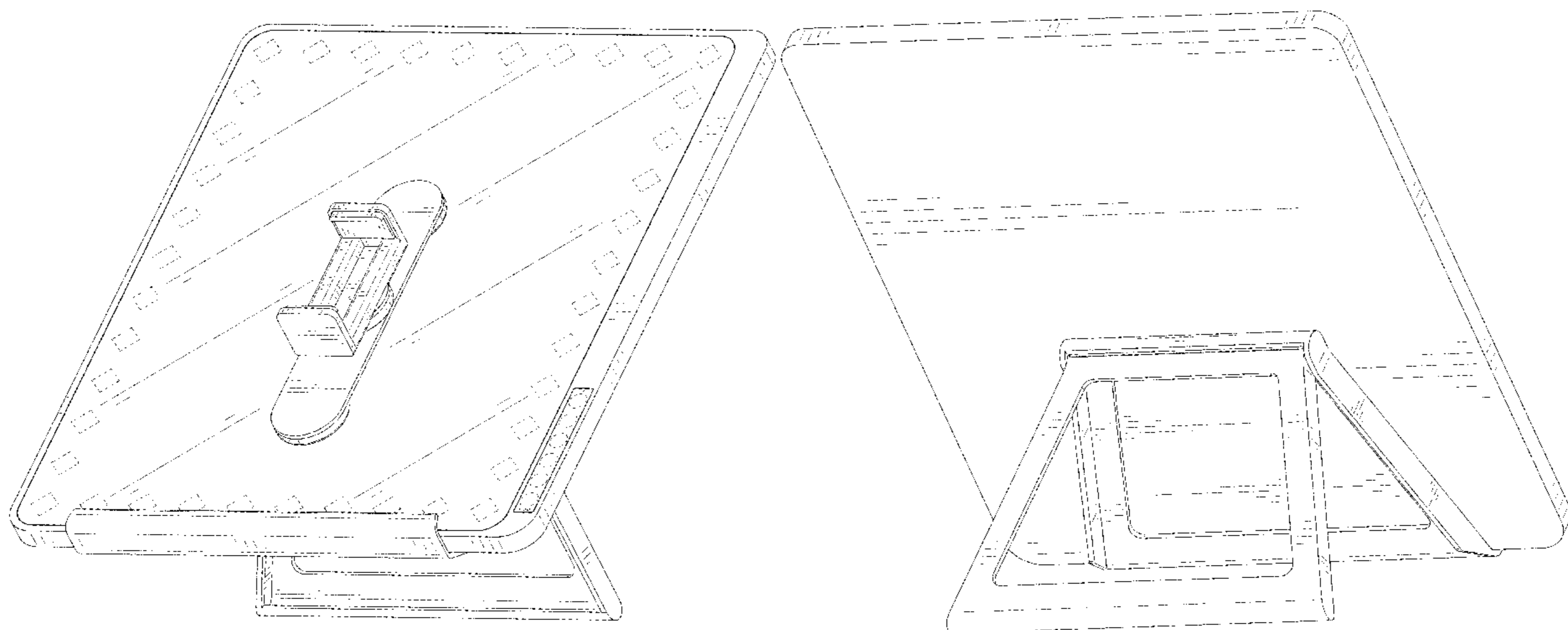
The ornamental design for a makeup mirror, as shown and described.

DESCRIPTION

FIG. 1 is a perspective view of a makeup mirror showing my new design;
FIG. 2 is another perspective view thereof;
FIG. 3 is a front elevational view thereof;
FIG. 4 is a rear elevational view thereof;
FIG. 5 is a left side elevational view thereof;
FIG. 6 is a right side elevational view thereof;
FIG. 7 is a top plan view thereof;
FIG. 8 is a bottom plan view thereof; and,
FIG. 9 is an exploded perspective view of the makeup mirror.

The broken lines in the drawings depict portions of the makeup mirror that form no part of the claimed design.

1 Claim, 9 Drawing Sheets



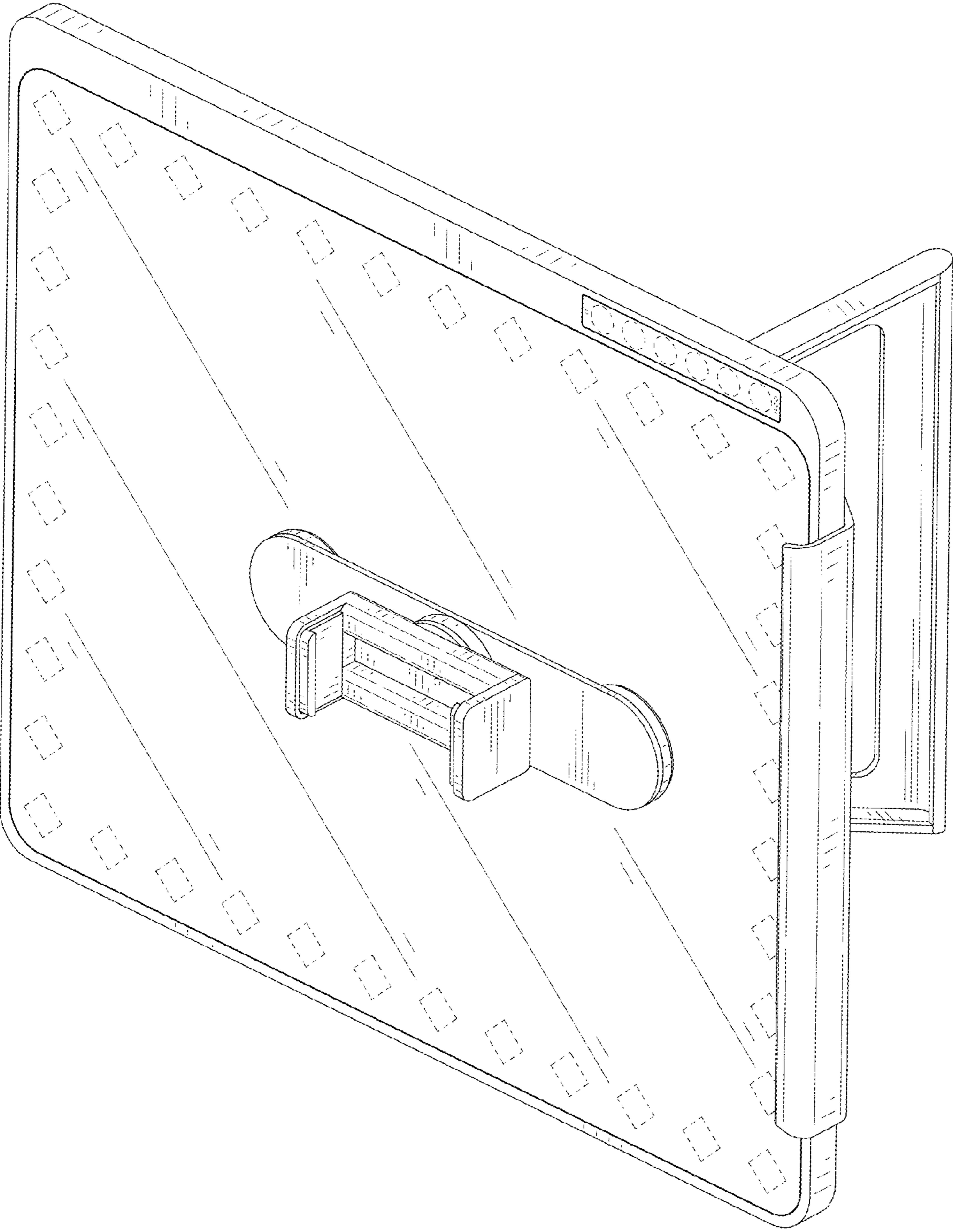


FIG. 1

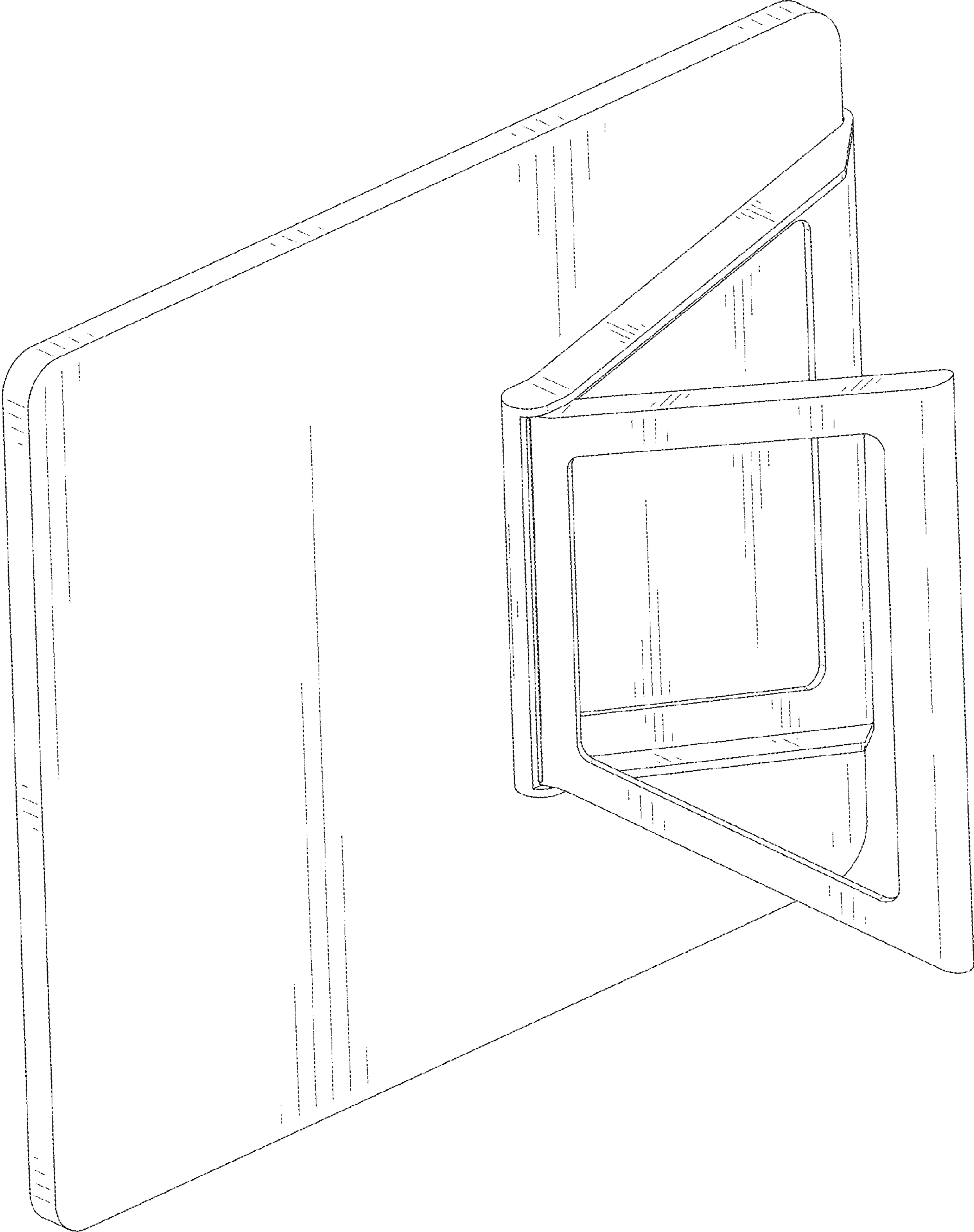


FIG. 2

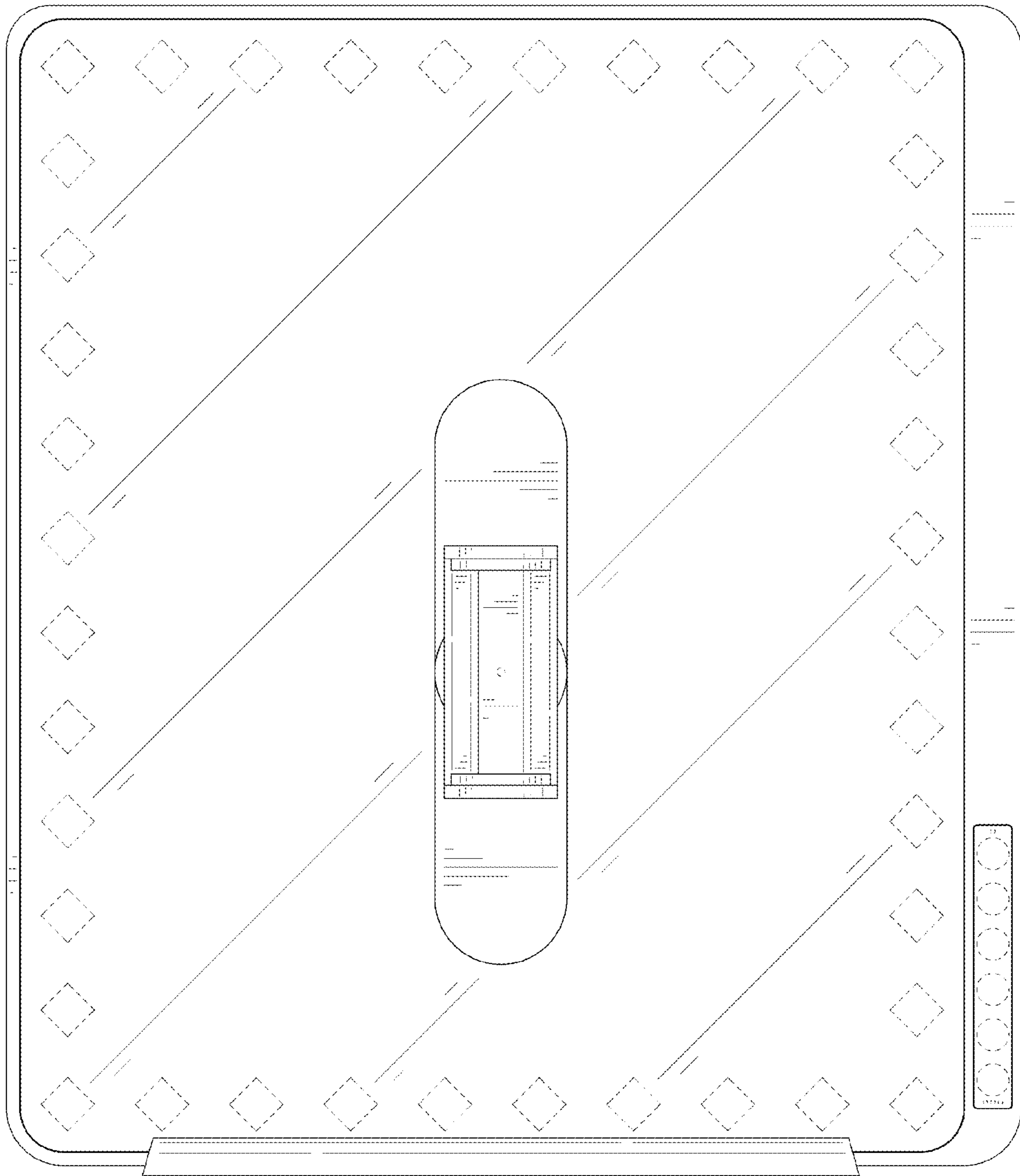


FIG. 3

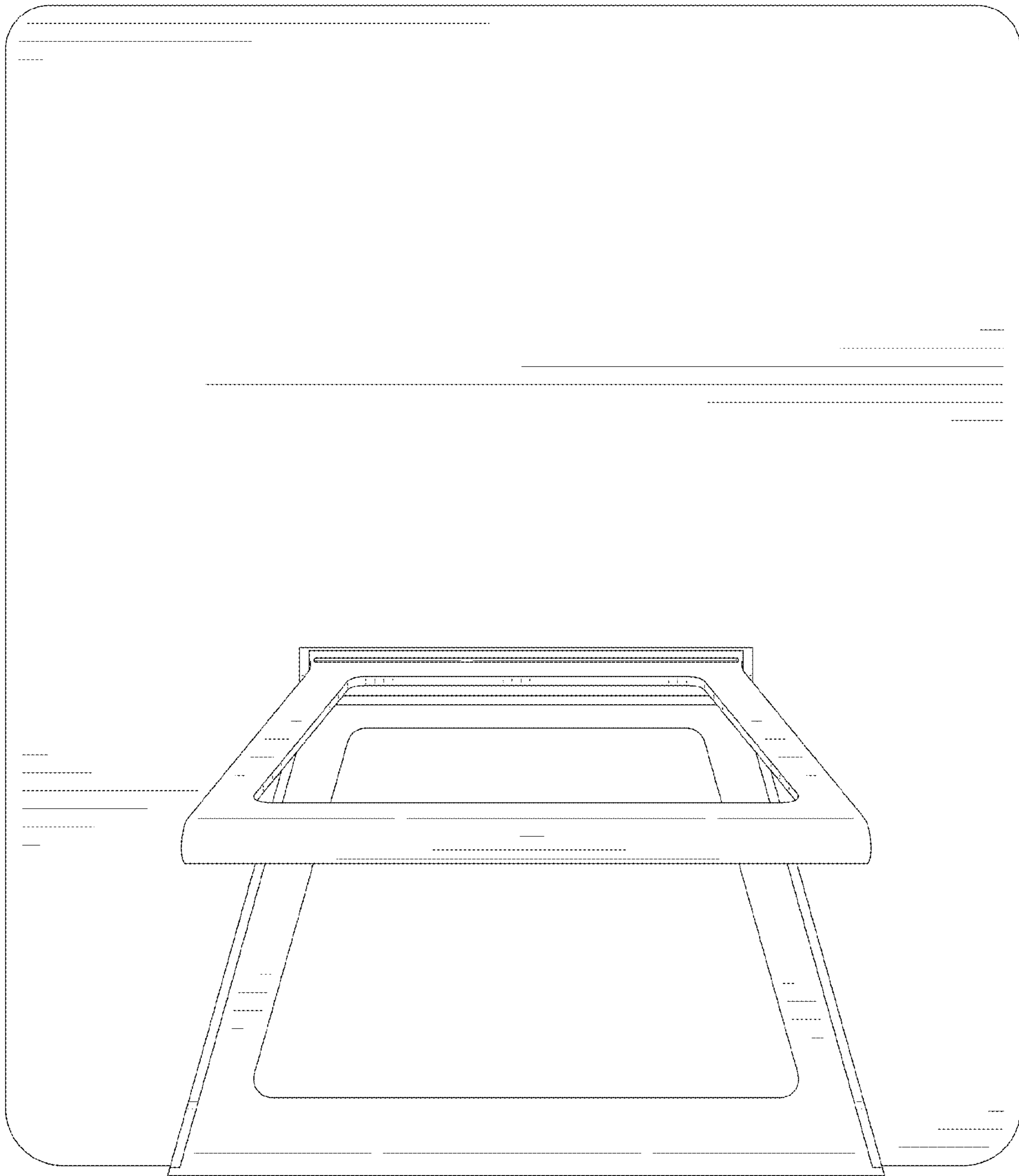


FIG. 4

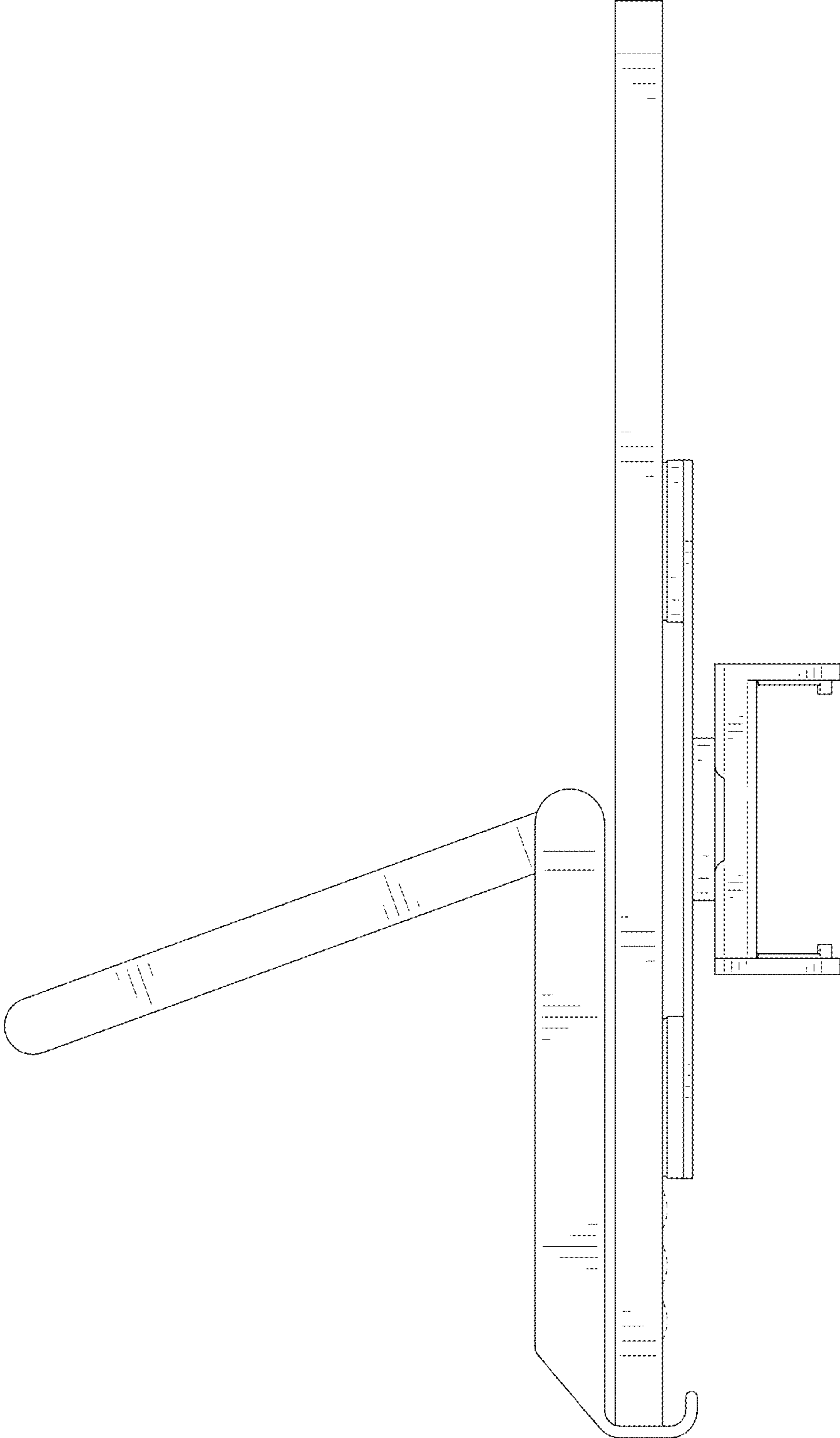


FIG. 5

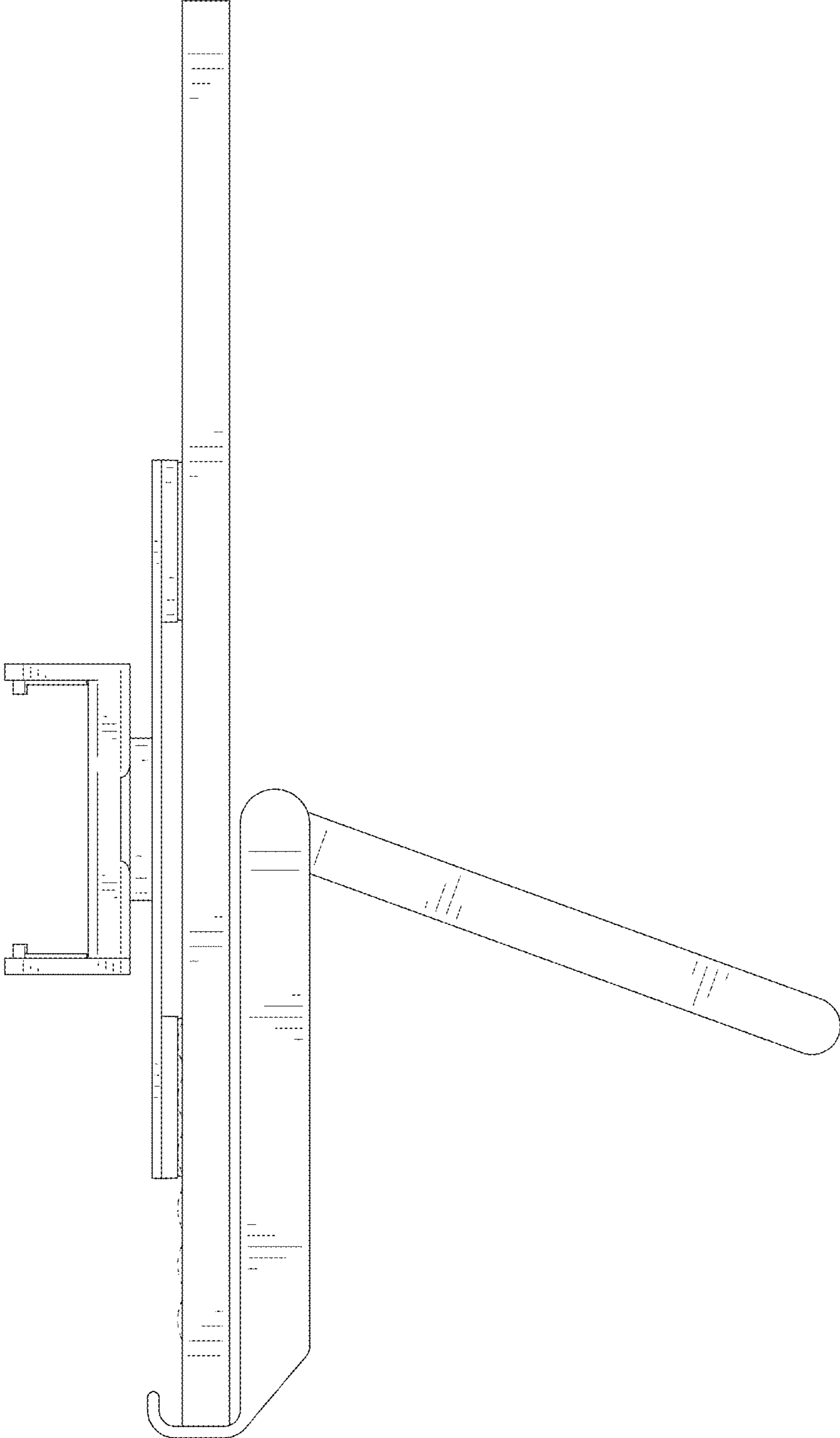


FIG. 6

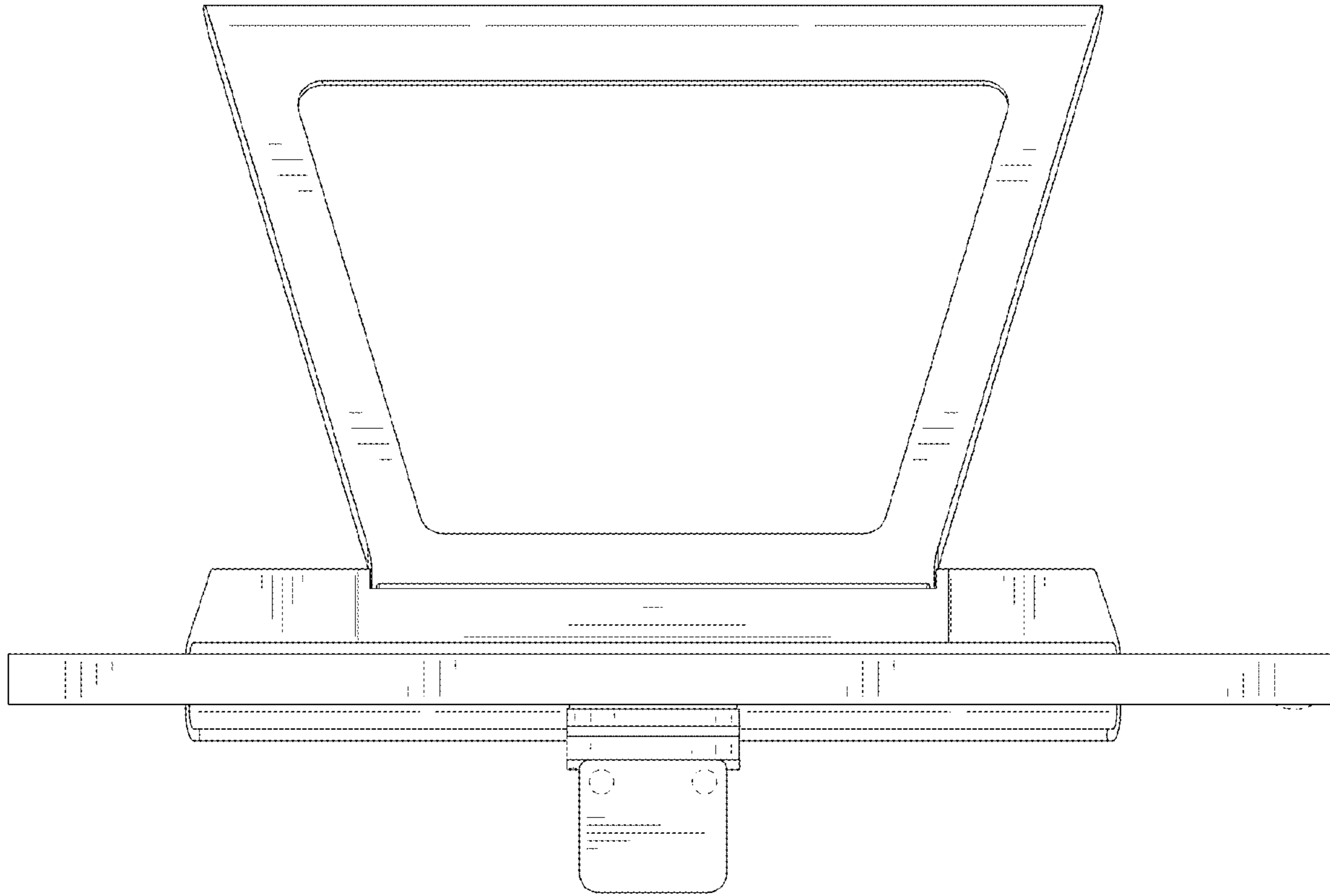


FIG. 7

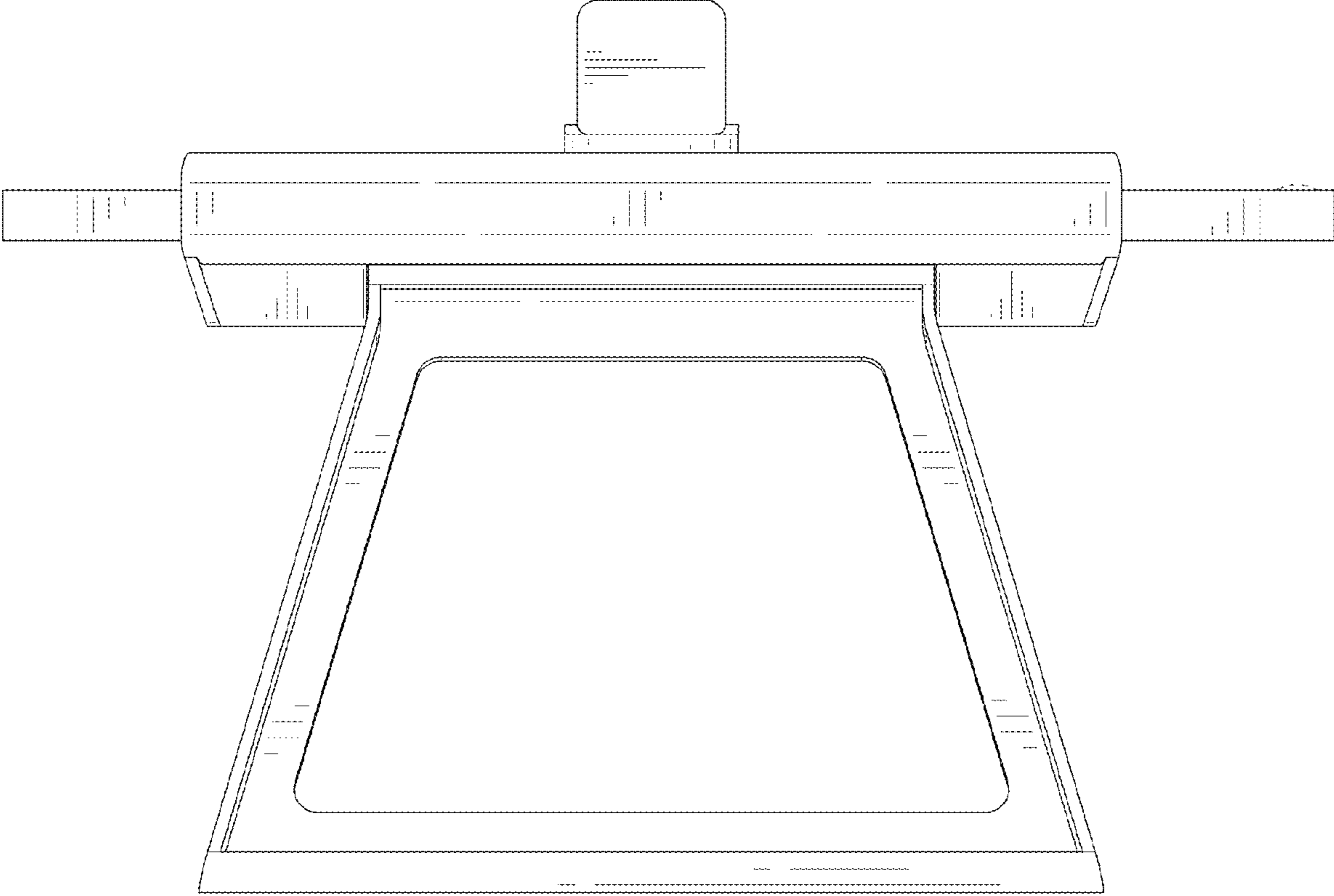


FIG. 8

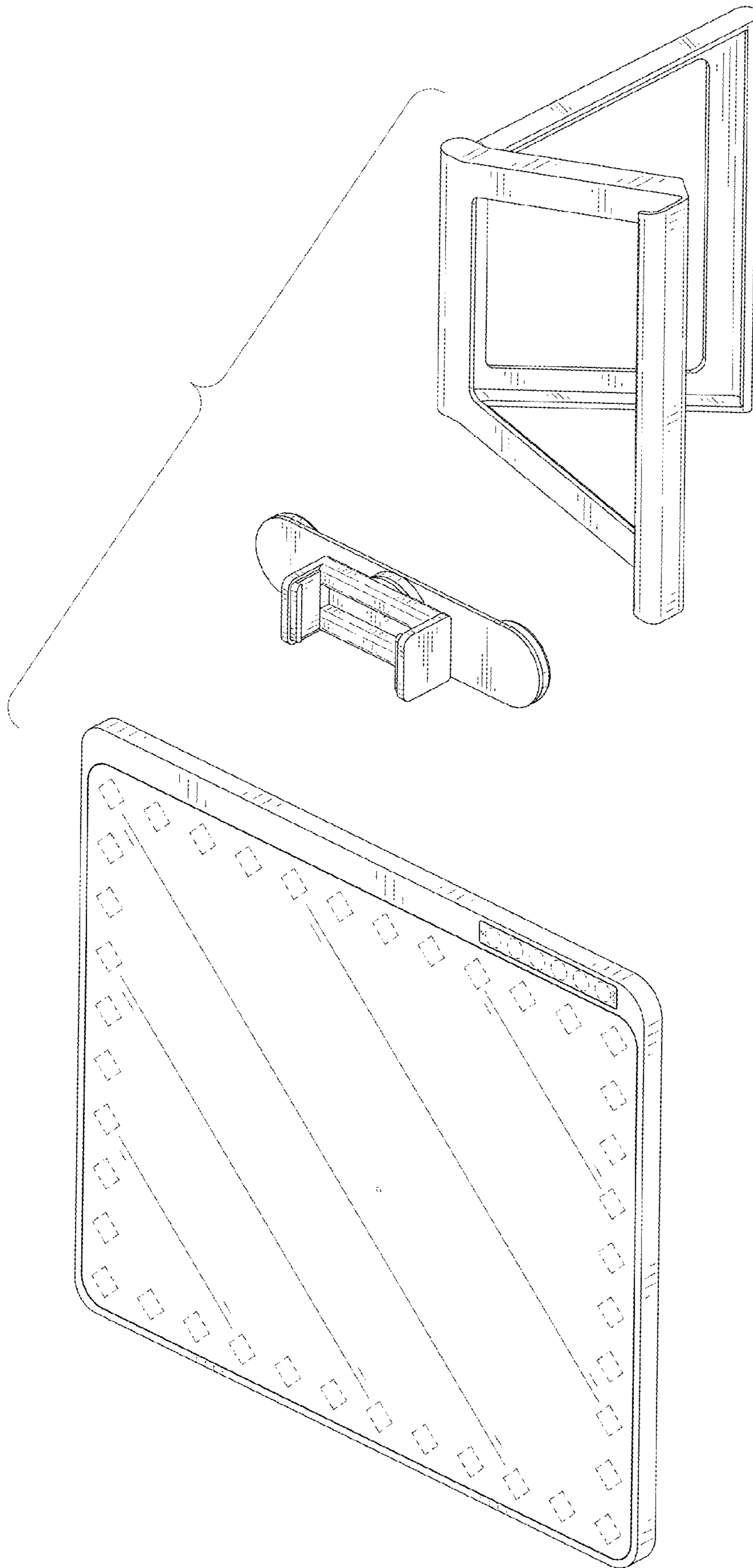


FIG. 9