



US00D935201S

(12) **United States Design Patent**
Fearing

(10) **Patent No.:** **US D935,201 S**

(45) **Date of Patent:** **** Nov. 9, 2021**

- (54) **SHAVING MIRROR BASE**
- (71) Applicant: **Daniel Fearing**, Glendale, CA (US)
- (72) Inventor: **Daniel Fearing**, Glendale, CA (US)
- (**) Term: **15 Years**
- (21) Appl. No.: **29/781,324**
- (22) Filed: **Apr. 29, 2021**

Related U.S. Application Data

- (62) Division of application No. 29/688,520, filed on Apr. 23, 2019, now Pat. No. Des. 921,373.
- (51) **LOC (13) Cl.** **06-07**
- (52) **U.S. Cl.**
USPC **D6/309; D7/624.1**
- (58) **Field of Classification Search**
USPC D3/201, 203.2, 203.3, 203.4, 274, 275;
D6/300-314; D9/503-505; D28/4, 64.1,
D28/64.2, 64.3, 64.6, 82; D7/624.1,
D7/624.2
CPC A45D 33/003; A45D 33/008; A45D 40/22;
A45D 40/221; A45D 40/222; A45D
42/00; A45D 42/02; A45D 42/04; A45D
42/08; A45D 33/006; A45D 33/34; A47G
1/00; A47G 1/02; A47G 1/04; G02B
7/1822; G02B 7/198
See application file for complete search history.

(56) **References Cited**

U.S. PATENT DOCUMENTS

- 1,887,333 A * 11/1932 Arthurl A45D 33/003
132/307
- D252,833 S * 9/1979 Bowser D26/85
- D303,199 S * 9/1989 Parsons D7/624.1
H1855 H * 8/2000 Litton D28/82
- D428,776 S * 8/2000 Shuman D7/624.1
- D431,114 S * 9/2000 Smith D21/710

- D459,094 S * 6/2002 Stone D6/309
- 6,578,809 B1 * 6/2003 Dimella A47G 23/032
248/346.11
- D531,036 S * 10/2006 Bried D9/504
- D665,252 S * 8/2012 Mulready D9/418
- D666,461 S * 9/2012 Siegel D7/629
- 8,641,213 B2 * 2/2014 Okayasu A45D 42/00
359/871
- D740,029 S * 10/2015 Otto D3/302
- D756,790 S * 5/2016 Henriksson D9/504
- 9,775,455 B2 * 10/2017 Weissbart A47G 23/03
- D823,647 S * 7/2018 Curl, Jr. D7/624.1
- D852,647 S * 7/2019 Burditt D9/746
- D921,373 S * 6/2021 Fearing D6/309
- 2015/0173544 A1 * 6/2015 Sayarh A47G 23/03
220/737

(Continued)

OTHER PUBLICATIONS

Shaving Can Mirror Shower Fog Free Portable, announced 2019 [online], [site visited Aug. 12, 2020]. Available from internet, URL:< <https://www.amazon.in/Shaving-Mirror-Shower-Portable-Veterans/dp/B081HWL3LB>> (Year: 2019).*

Primary Examiner — Cynthia Ramirez
Assistant Examiner — Xavier Marti-Santos

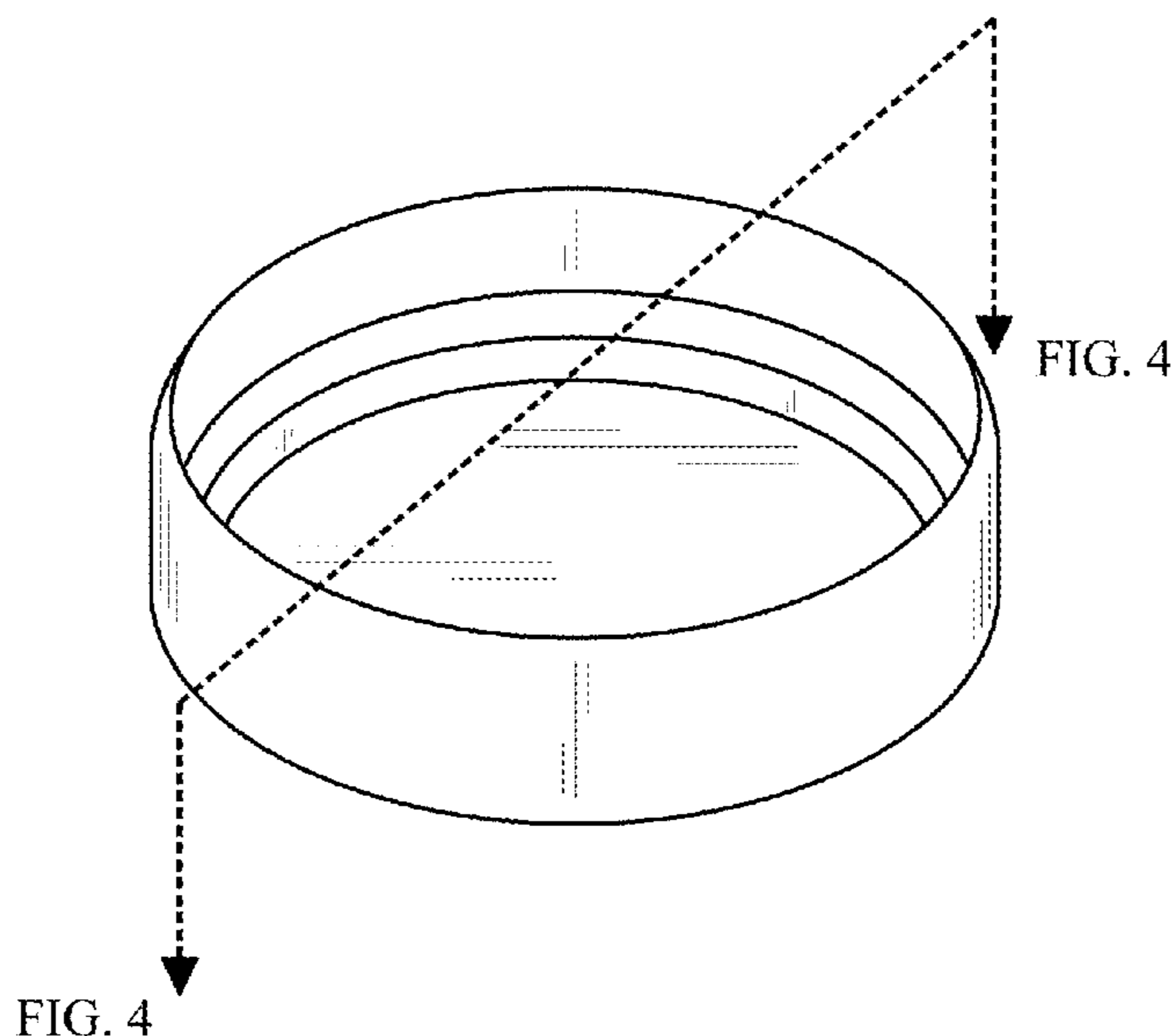
(57) **CLAIM**

The ornamental design for a shaving mirror base, as shown and described.

DESCRIPTION

FIG. 1 is a top perspective view of a shaving mirror base showing my new design.
FIG. 2 is a top plan view thereof.
FIG. 3 is a bottom perspective view thereof; and,
FIG. 4 is side cross-sectional view thereof.
The broken lines in the figures are to show environment and form no part of the claimed design.

1 Claim, 4 Drawing Sheets



(56)

References Cited

U.S. PATENT DOCUMENTS

2020/0337435 A1 * 10/2020 Hori A45D 34/04
2020/0337442 A1 * 10/2020 Fearing A45D 42/08

* cited by examiner

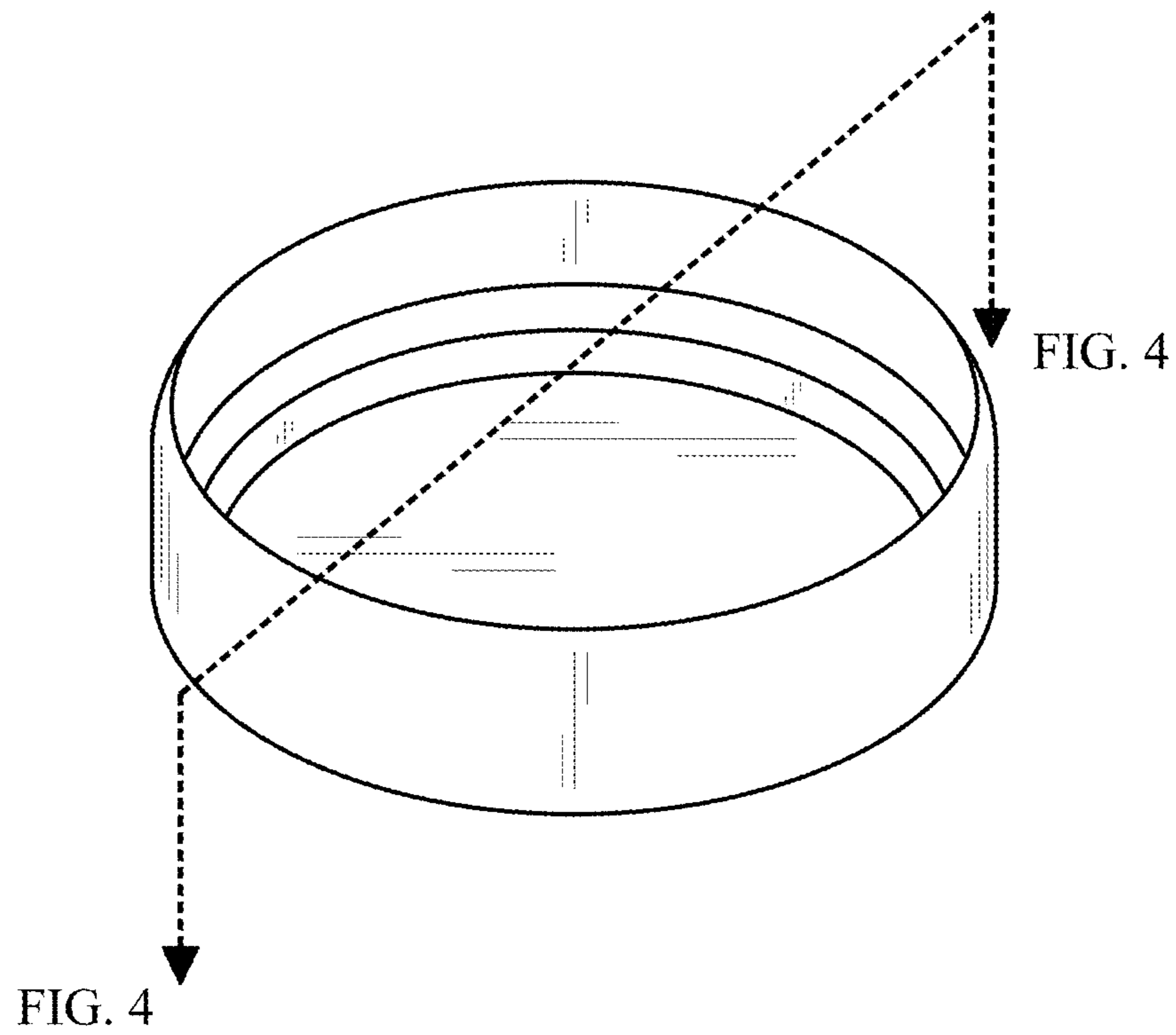


FIG. 1

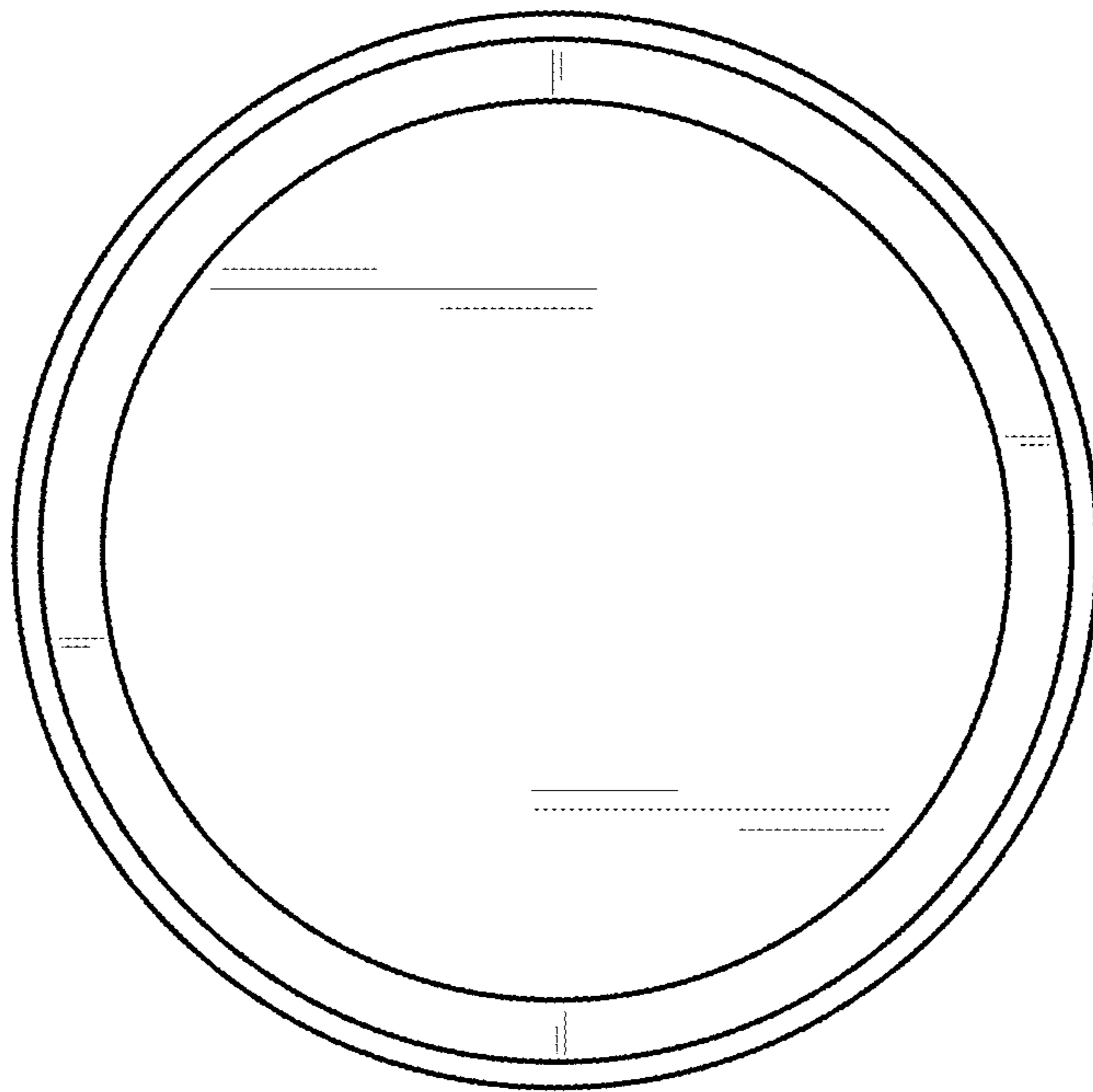


FIG. 2

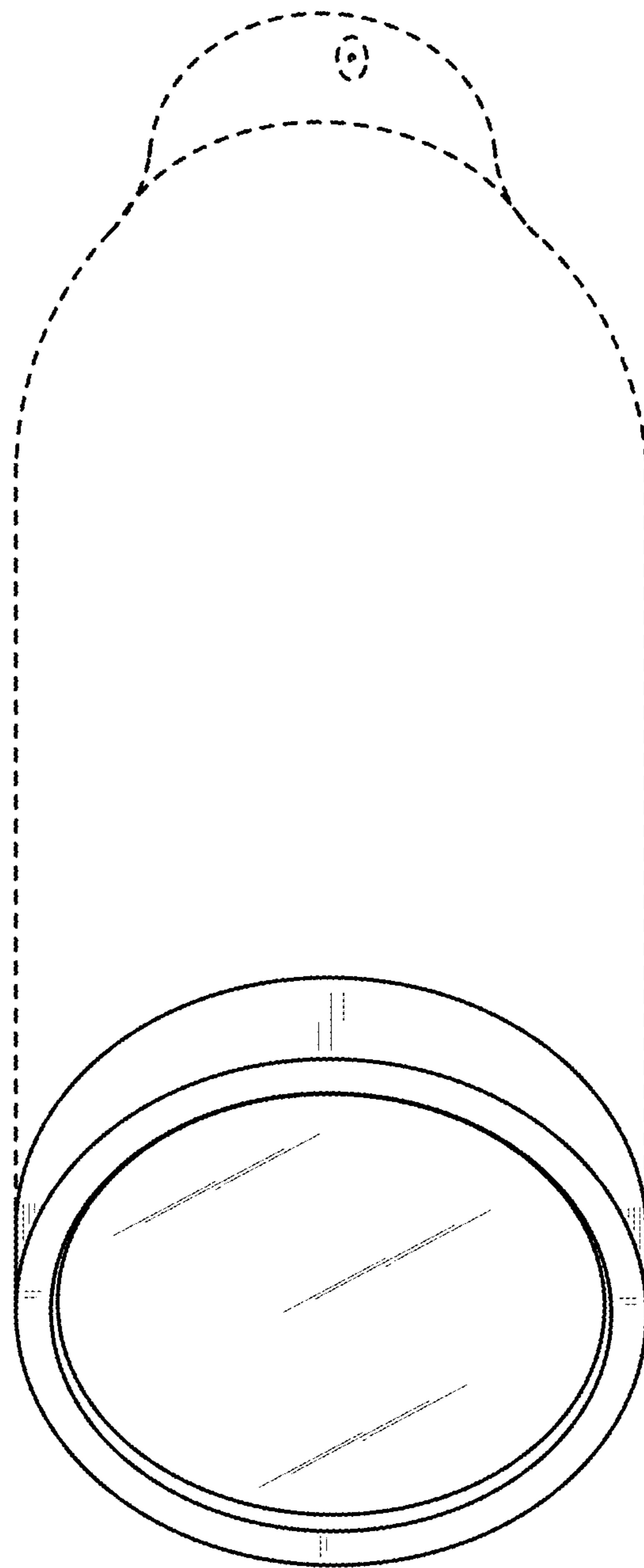


FIG. 3

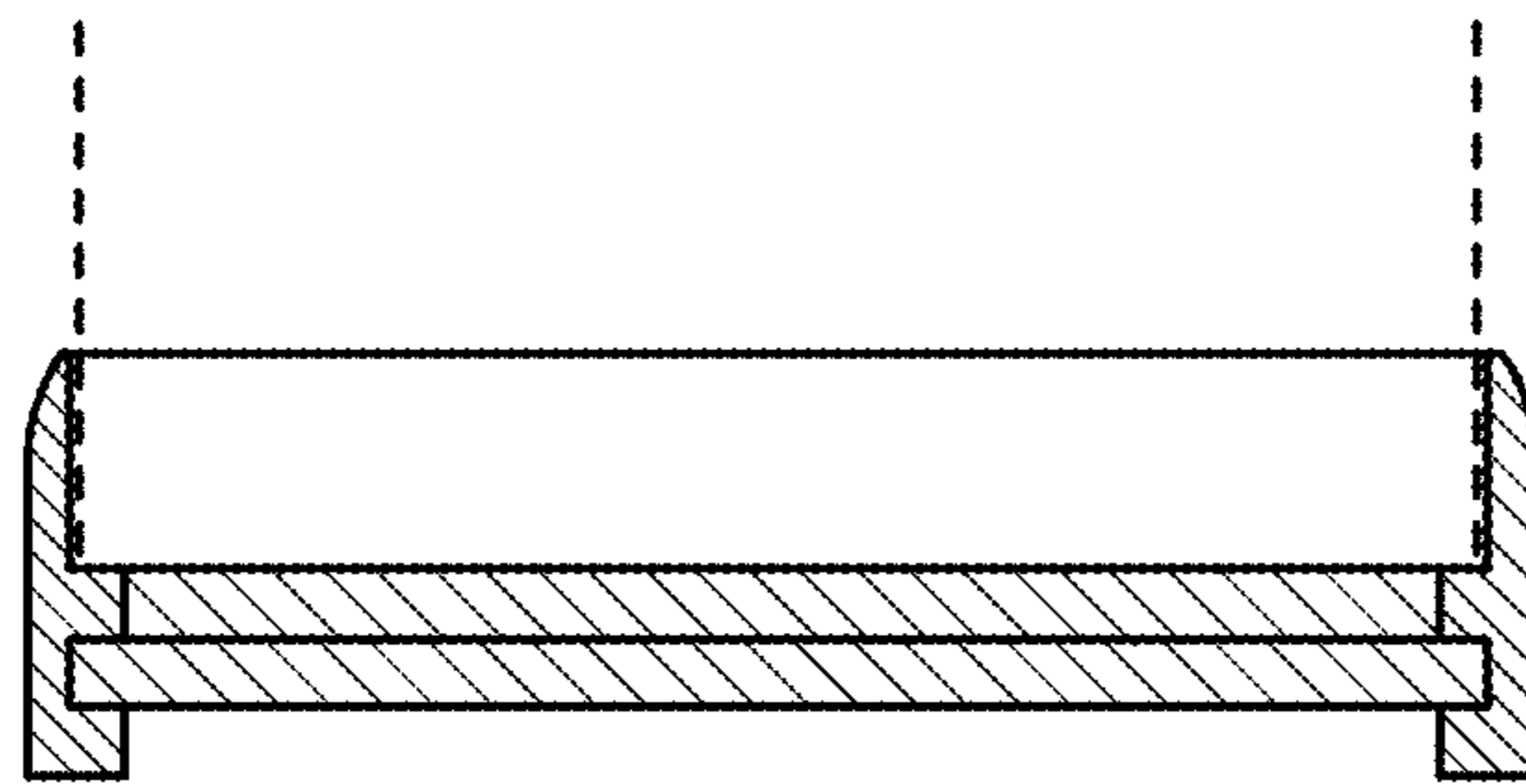


FIG. 4