



US00D935200S

(12) **United States Design Patent** (10) **Patent No.:** **US D935,200 S**  
**Wang** (45) **Date of Patent:** **\*\* Nov. 9, 2021**

(54) **LED BULB MAKEUP MIRROR**  
 (71) Applicant: **Linfeng Wang**, Zhejiang (CN)  
 (72) Inventor: **Linfeng Wang**, Zhejiang (CN)

D880,171 S \* 4/2020 Yang ..... D6/308  
 D882,279 S \* 4/2020 Zhu ..... D6/308  
 D898,384 S \* 10/2020 Liu ..... D6/308  
 D902,607 S \* 11/2020 Liu ..... D6/308  
 D911,044 S \* 2/2021 Lucas-Smith ..... D6/300  
 D918,601 S \* 5/2021 Liu ..... D6/300

(\*\*) Term: **15 Years**

**FOREIGN PATENT DOCUMENTS**

(21) Appl. No.: **29/767,362**

GB 6056965 \* 3/2019

(22) Filed: **Jan. 21, 2021**

\* cited by examiner

(51) **LOC (13) Cl.** ..... **06-07**

*Primary Examiner* — Deanna L Pratt

(52) **U.S. Cl.**  
 USPC ..... **D6/306**

(57) **CLAIM**

(58) **Field of Classification Search**  
 USPC ..... D6/300–314  
 CPC .. A47G 1/00; A47G 2001/002; F21V 33/004;  
 A45D 42/10  
 See application file for complete search history.

The ornamental design for a LED bulb makeup mirror, as shown and described.

**DESCRIPTION**

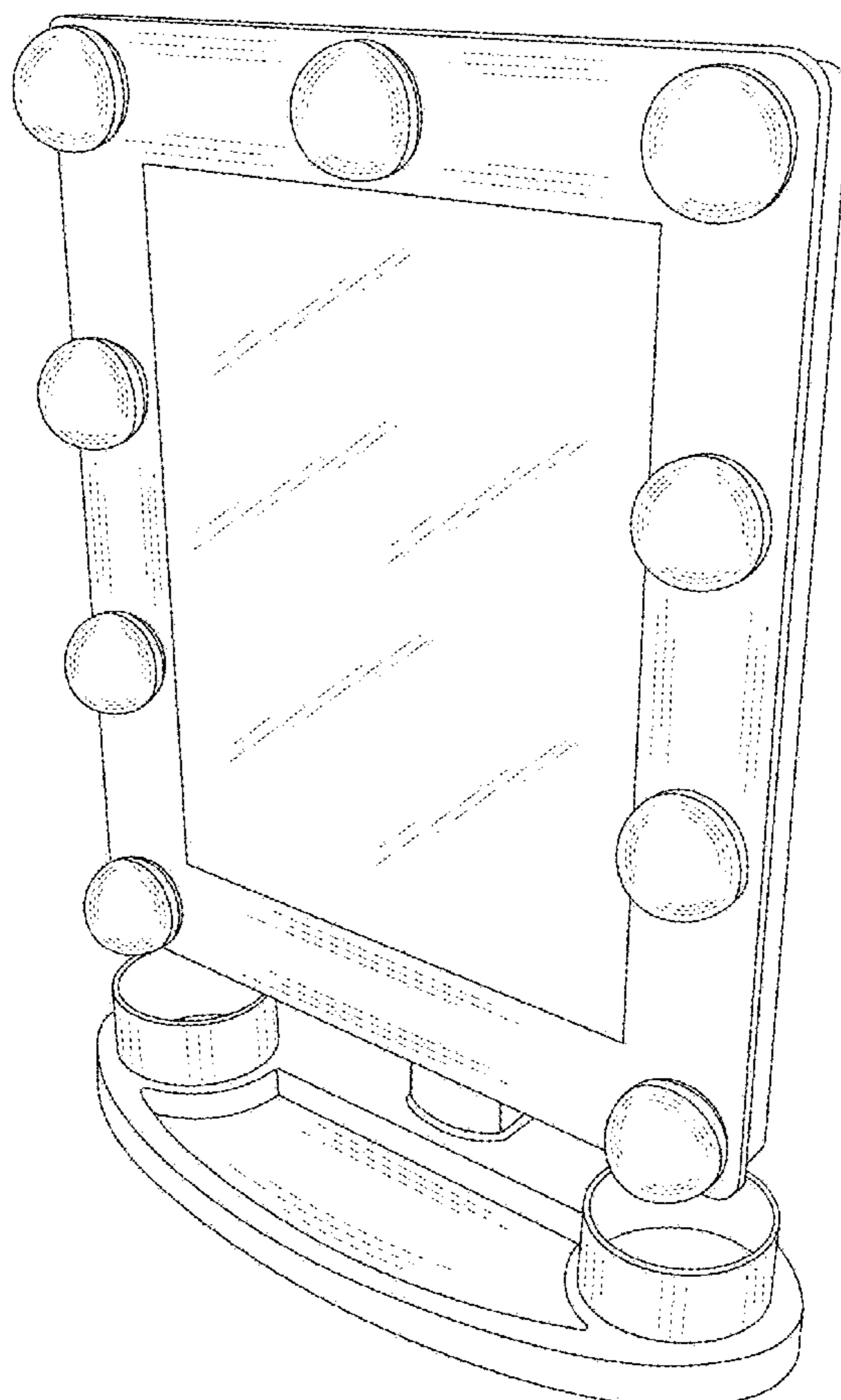
(56) **References Cited**

**U.S. PATENT DOCUMENTS**

D345,655 S \* 4/1994 Freebairn ..... D6/308  
 D779,217 S \* 2/2017 Zhang ..... D6/308  
 D779,835 S \* 2/2017 Zhang ..... D6/300  
 D809,322 S \* 2/2018 Choi ..... D6/664.1  
 D866,989 S \* 11/2019 Zhu ..... D6/308  
 D879,480 S \* 3/2020 Yang ..... D6/308

FIG. 1 is a front, right side perspective view of a LED bulb makeup mirror showing my new design;  
 FIG. 2 is a front elevation view thereof;  
 FIG. 3 is a rear elevation view thereof;  
 FIG. 4 is a left side elevation view thereof;  
 FIG. 5 is a right side elevation view thereof;  
 FIG. 6 is a top plan view thereof;  
 FIG. 7 is a bottom plan view thereof; and,  
 FIG. 8 is a rear, left perspective thereof.

**1 Claim, 8 Drawing Sheets**



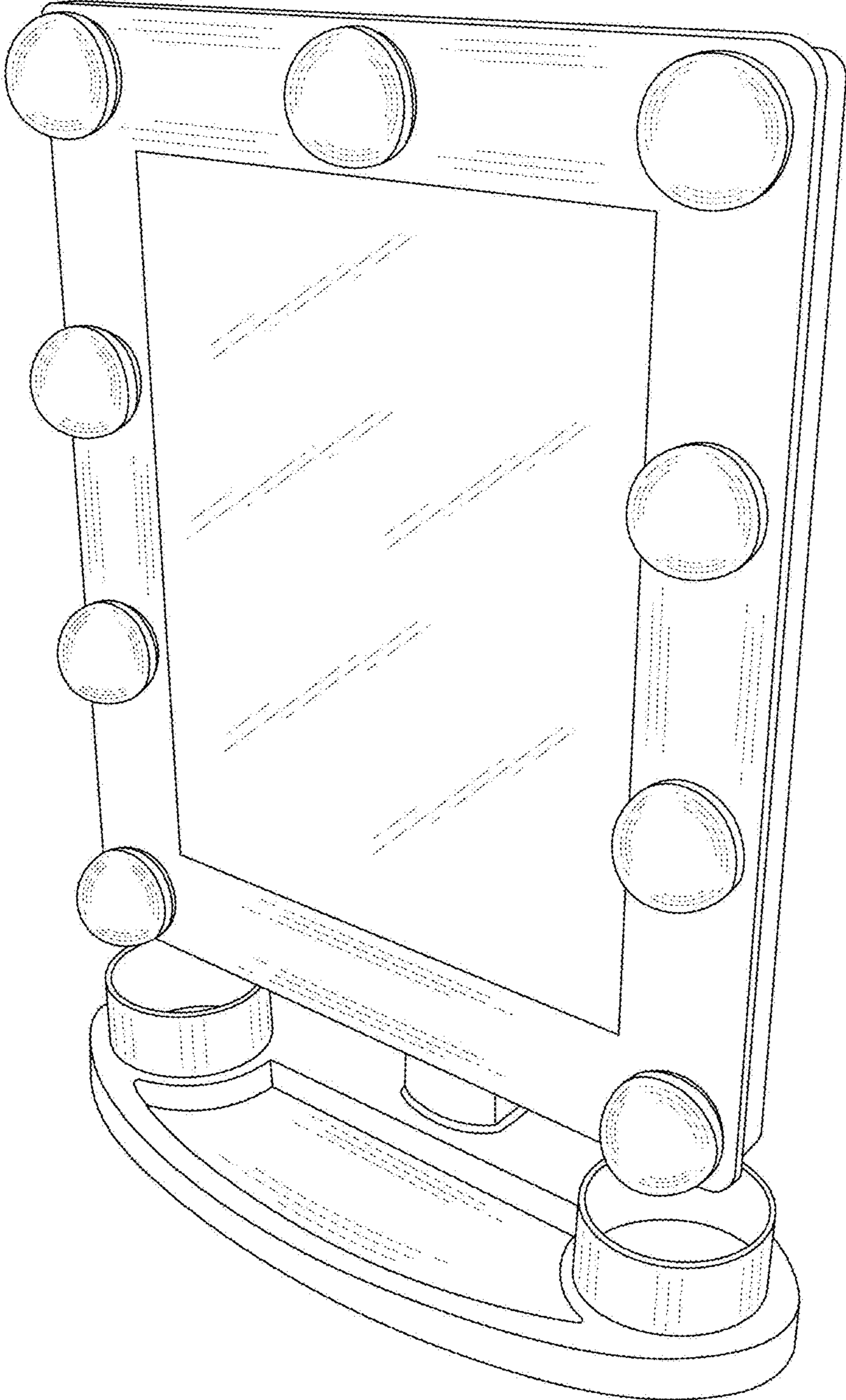


FIG. 1

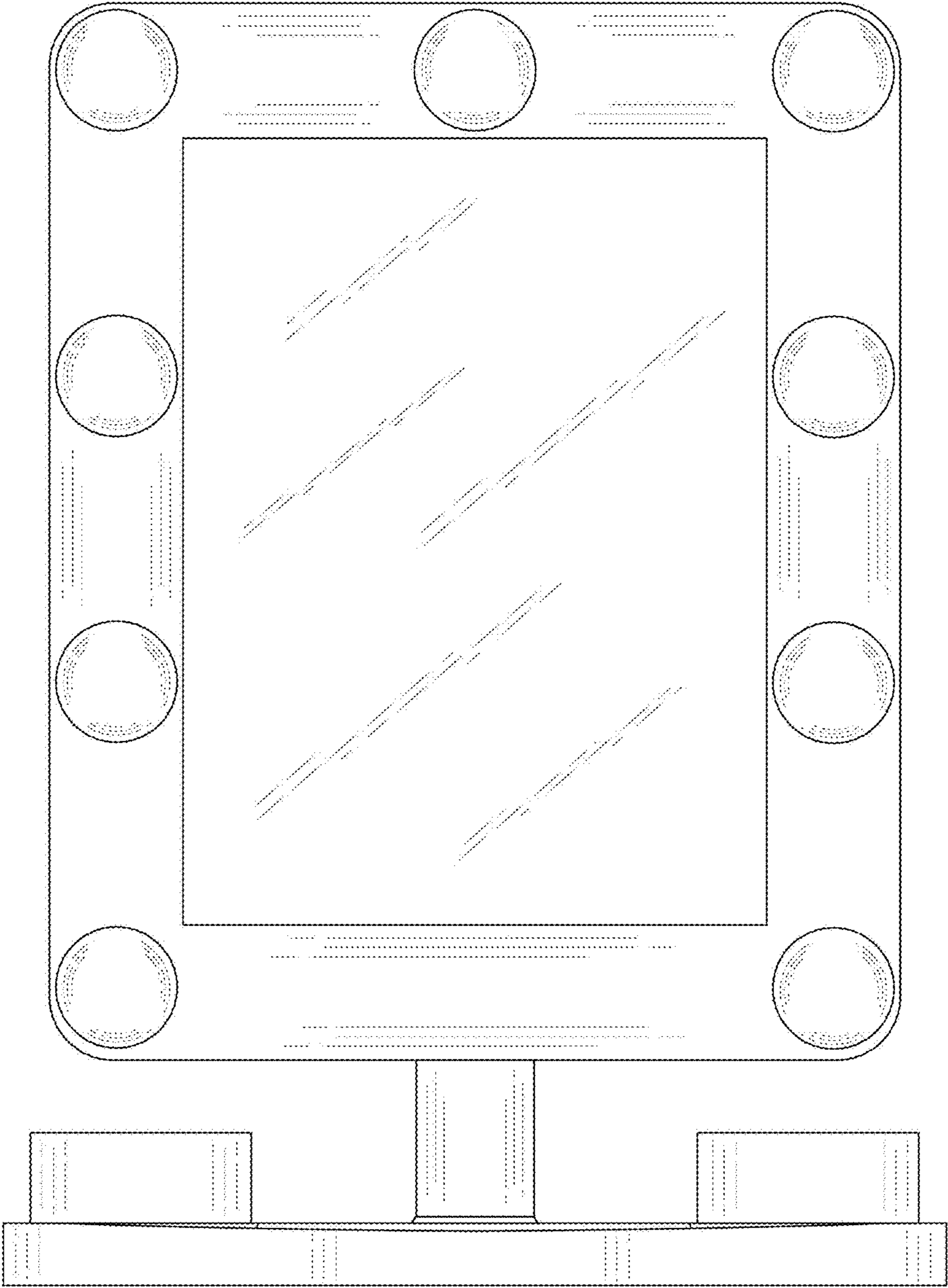


FIG. 2

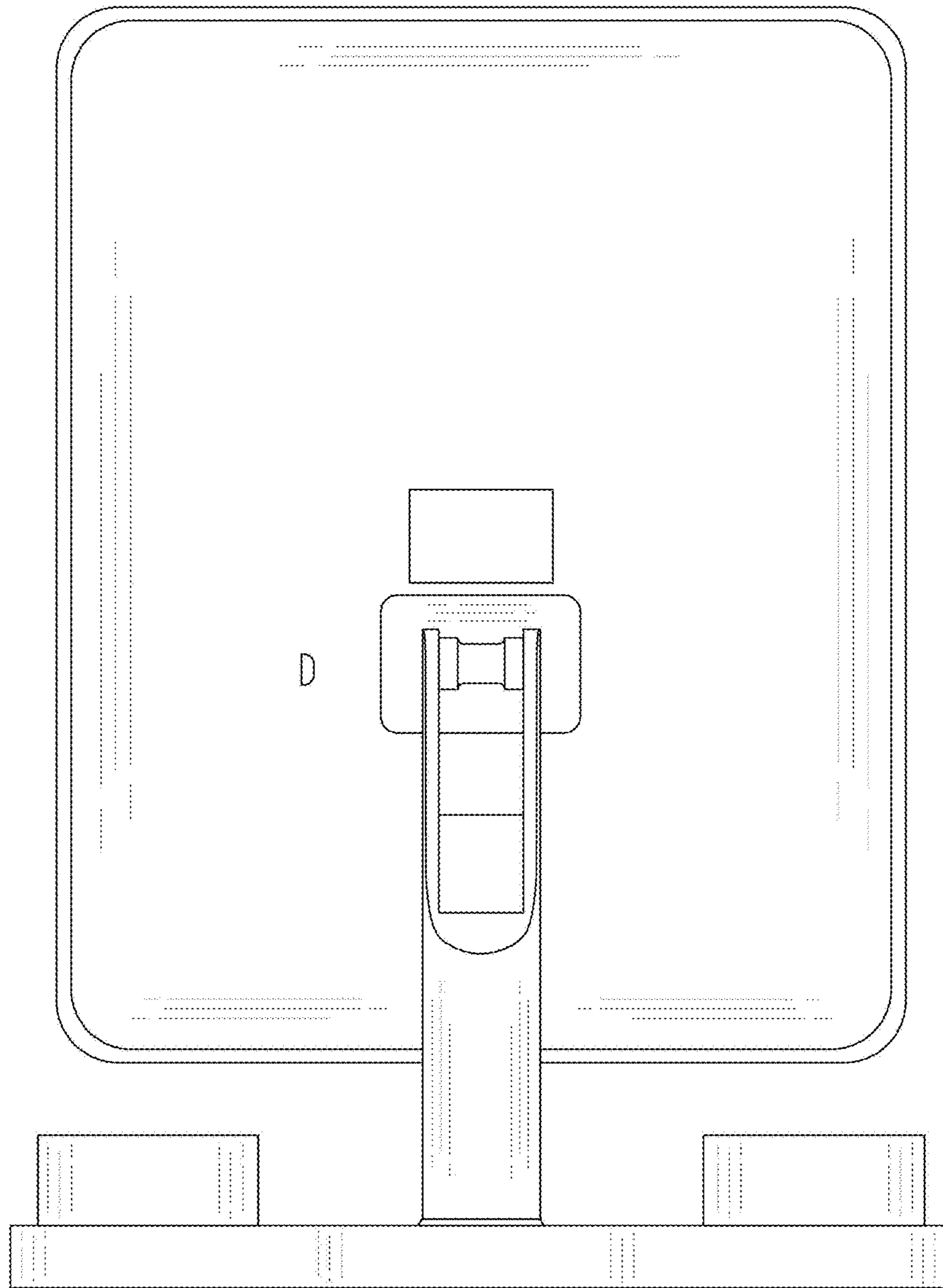


FIG. 3

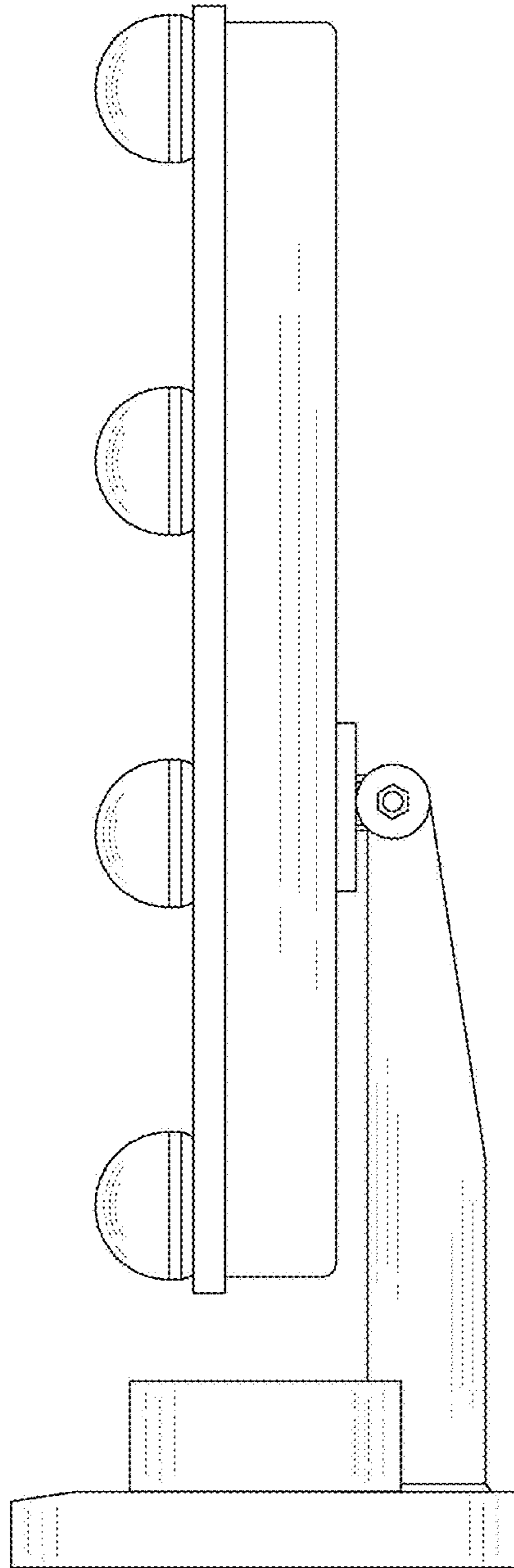


FIG. 4



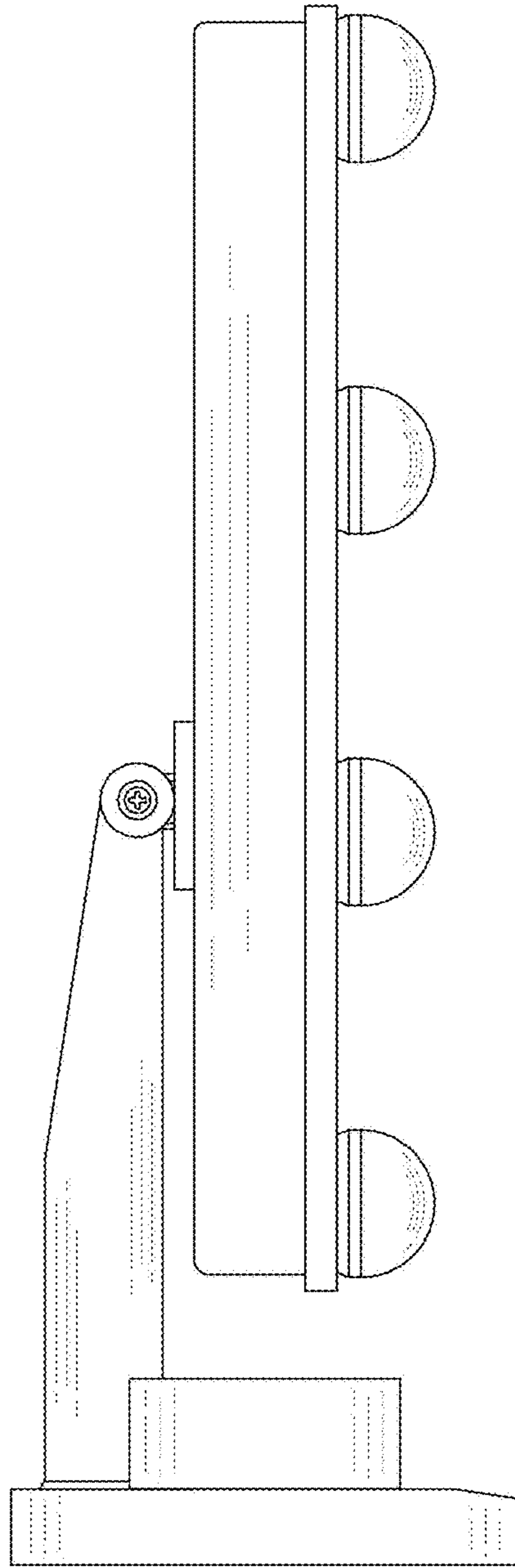


FIG. 5

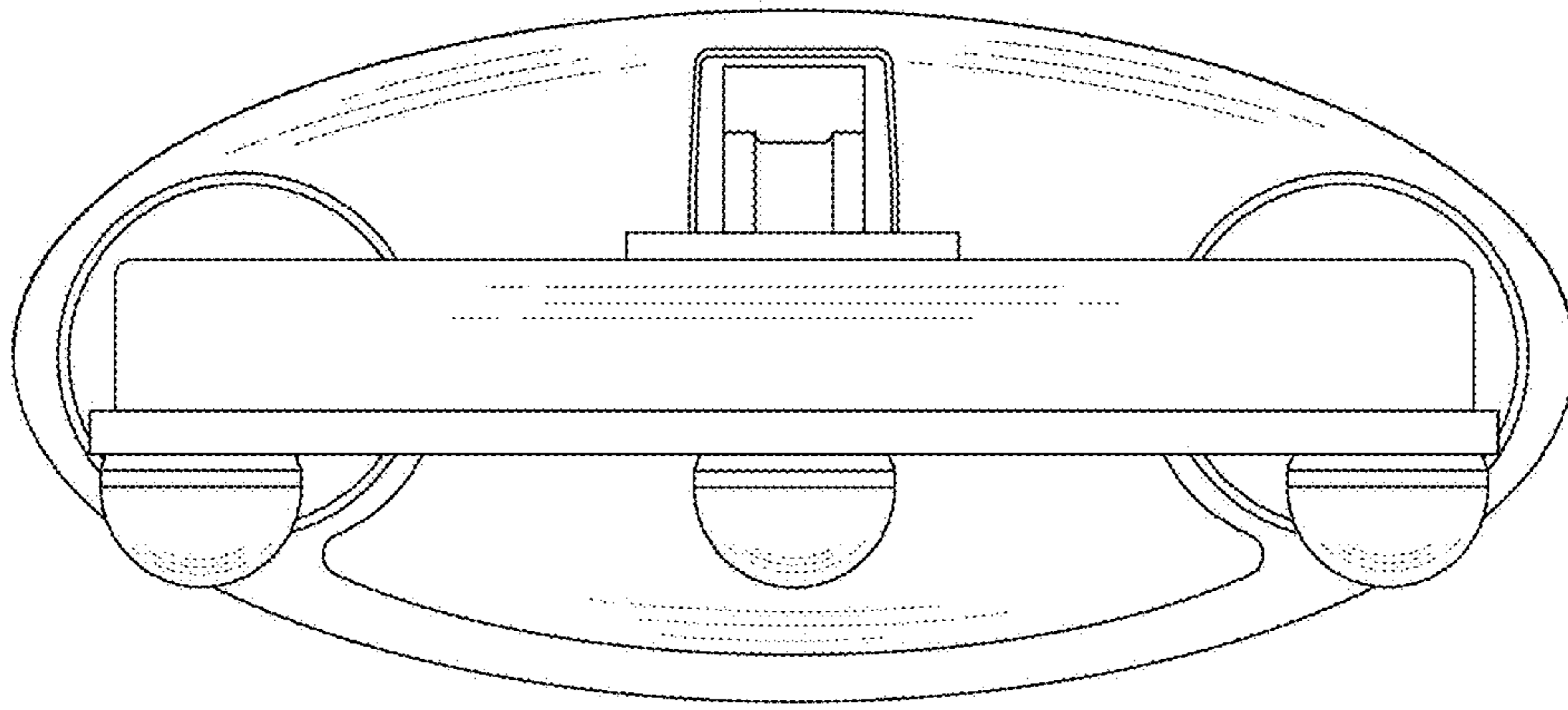


FIG. 6

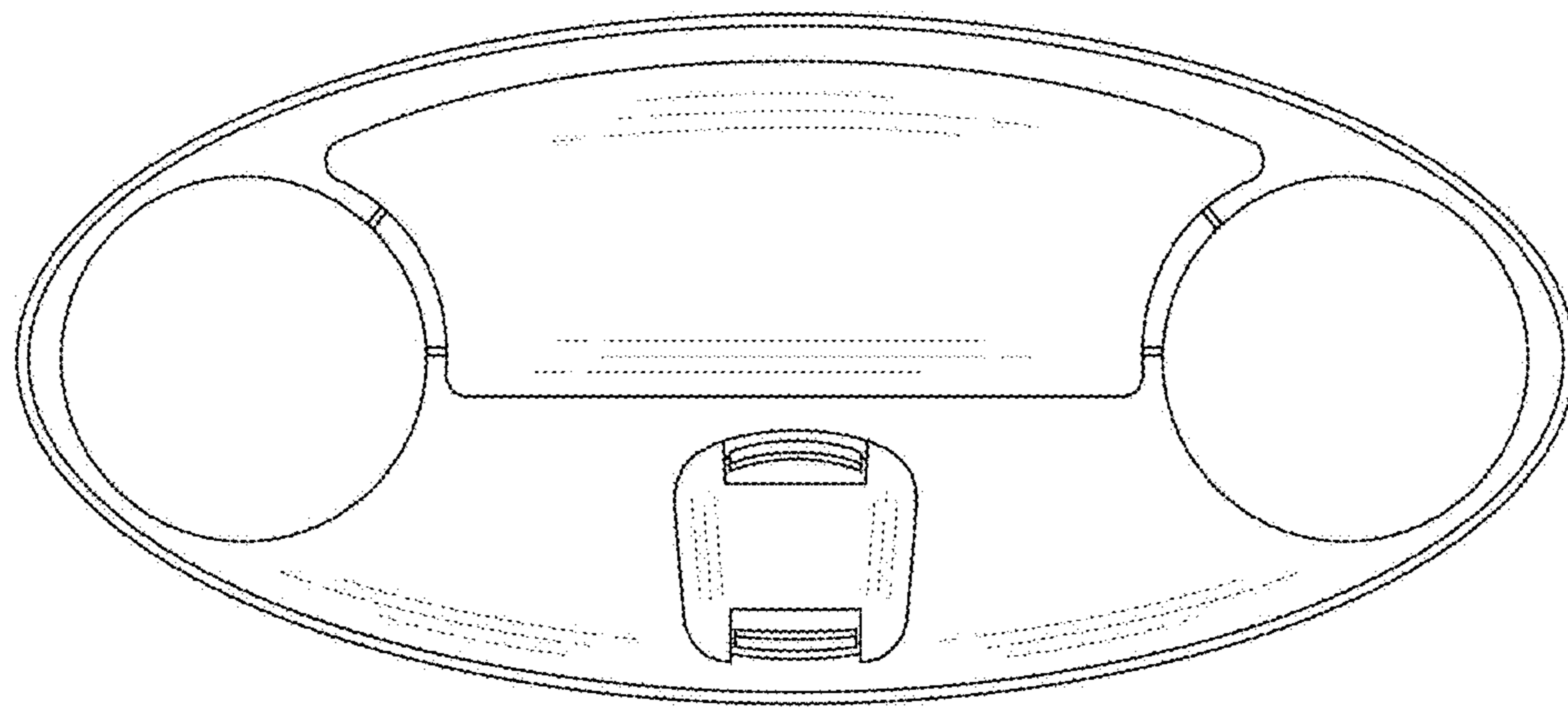


FIG. 7



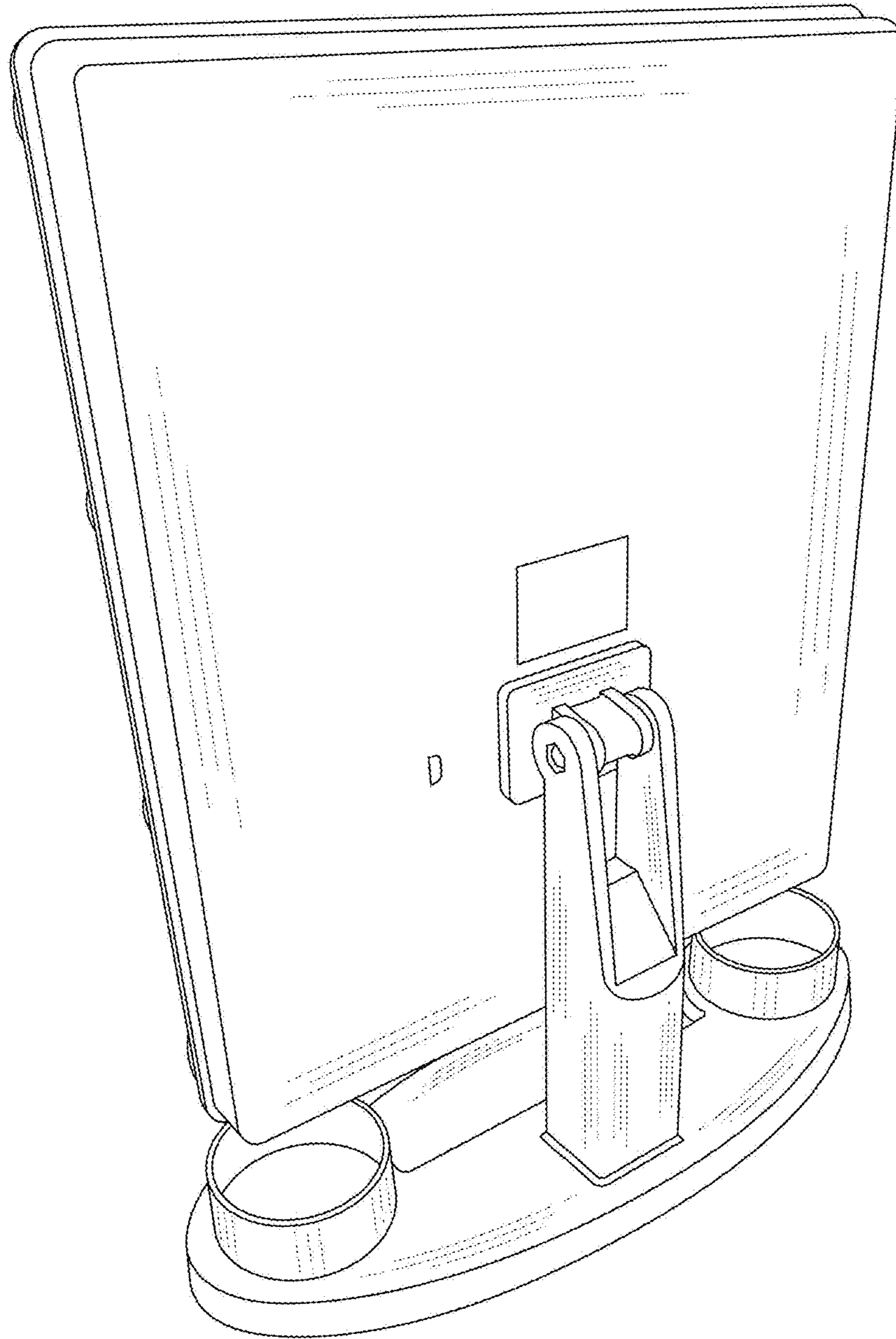


FIG. 8