



US00D935198S

(12) **United States Design Patent** (10) **Patent No.:** **US D935,198 S**
Tian (45) **Date of Patent:** **** Nov. 9, 2021**

(54) **MAKEUP BRUSH**

(71) Applicant: **Jinhua Bueart Cosmetic Co., Ltd.**,
Zhejiang (CN)

(72) Inventor: **Lei Tian**, Zhejiang (CN)

(73) Assignee: **Jinhua Bueart Cosmetic Co., Ltd.**,
Zhejiang (CN)

(**) Term: **15 Years**

(21) Appl. No.: **29/762,690**

(22) Filed: **Dec. 17, 2020**

(51) **LOC (13) Cl.** **04-02**

(52) **U.S. Cl.**
USPC **D4/138**

(58) **Field of Classification Search**
USPC D4/119, 120, 127, 128, 129, 130, 131,
D4/132, 133, 134, 135, 136, 137, 138,
D4/199; D28/7
CPC .. A46B 5/02; A46B 9/02; A46B 9/021; A46B
2200/1046
See application file for complete search history.

(56) **References Cited**

U.S. PATENT DOCUMENTS

D95,813 S *	6/1935	Ganz	D28/90
4,914,930 A *	4/1990	Bielka	A44C 17/02
				63/26
D335,086 S *	4/1993	Wacker	D9/504
D631,754 S *	2/2011	De Monclin	D9/651
D656,717 S *	4/2012	Abramowitz	D2/946

(Continued)

FOREIGN PATENT DOCUMENTS

CN	304447203	*	1/2018
CN	305882097	*	6/2020

OTHER PUBLICATIONS

8 Row 5 Yard Acrylic Rhinestone Diamond Ribbon . . . [on-line].
[Original publication date unavailable.] [Retrieved from the Internet

Apr. 23, 2021.] URL: >https://bigamart.com/product/8-row-5-yard-acrylic-rhinestone-diamond-ribbon-for-wedding-cakes-birthday-decorations-baby-shower-events-and-arts< (Year: 2021).*

(Continued)

Primary Examiner — Karen E Eldridge Powers
(74) *Attorney, Agent, or Firm* — ScienBiziP, P.C.

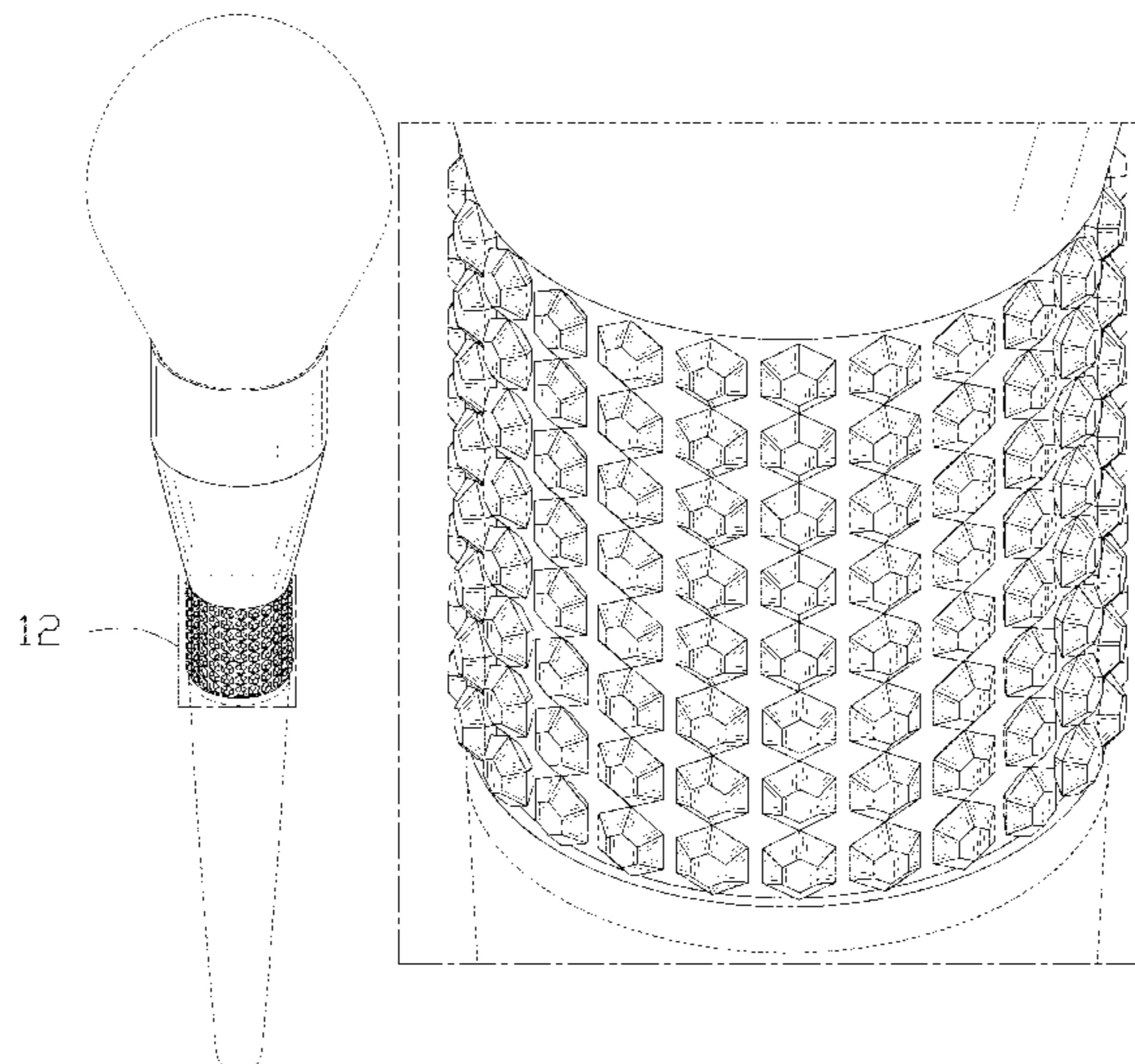
(57) **CLAIM**

The ornamental design for a makeup brush, as shown and described.

DESCRIPTION

FIG. 1 is a front and top perspective view of a makeup brush, showing my design.
 FIG. 2 is a front elevation view thereof.
 FIG. 3 is a rear elevation view thereof.
 FIG. 4 is a left side elevation thereof.
 FIG. 5 is a right side elevation thereof.
 FIG. 6 is a top plan view thereof.
 FIG. 7 is a bottom plan view thereof.
 FIG. 8 is a front and top perspective view thereof, illustrating an alternative brush head than that shown in FIGS. 1-7.
 FIG. 9 is a front and top perspective view thereof, illustrating a second alternative brush head than that shown in FIGS. 1-7.
 FIG. 10 is a front and top perspective view thereof, illustrating a third alternative brush head than that shown in FIGS. 1-7.
 FIG. 11 is a front and top perspective view thereof, illustrating a fourth alternative brush head than that shown in FIGS. 1-7; and,
 FIG. 12 is an enlarged view of a portion of the brush holder labeled 12 in FIG. 1.
 The broken lines shown in the drawings are included for the purpose of illustrating portions of the makeup brush that form no part of the claimed design.

1 Claim, 12 Drawing Sheets



(56)

References Cited

U.S. PATENT DOCUMENTS

D667,999	S *	9/2012	Sheffield	D28/81
D696,857	S *	1/2014	Atteberry	D3/215
D731,172	S *	6/2015	Atteberry	D3/215
D734,926	S *	7/2015	Nam	D2/893
9,089,200	B2 *	7/2015	Telwar	A46D 1/04
D736,516	S *	8/2015	Pennington	D3/201
D779,960	S *	2/2017	Dotson	D9/651
D787,190	S *	5/2017	Machiorlette	D4/102
D845,646	S	4/2019	Nicoline		
D866,190	S	11/2019	Hwang		
10,736,410	B2 *	8/2020	Kaicker	A46B 9/028
D894,613	S *	9/2020	Kaicker	D4/127
D896,078	S *	9/2020	Kerkvliet	D9/441
2017/0188691	A1 *	7/2017	Richards	A46B 9/021
2020/0405048	A1 *	12/2020	Pyne	A46B 17/04

OTHER PUBLICATIONS

Sparkling Pliable Rhinestone Ribbon Mesh by Wedding Factory Direct [on-line]. [Published Apr. 2, 2017.] [Retrieved from the Internet Apr. 23, 2021.] URL: ><https://web.arve.org/web/20170402073957/https://weddingfactorydirect.com/8-row-rhin-ribbon.html>< (Year: 2017).*

* cited by examiner

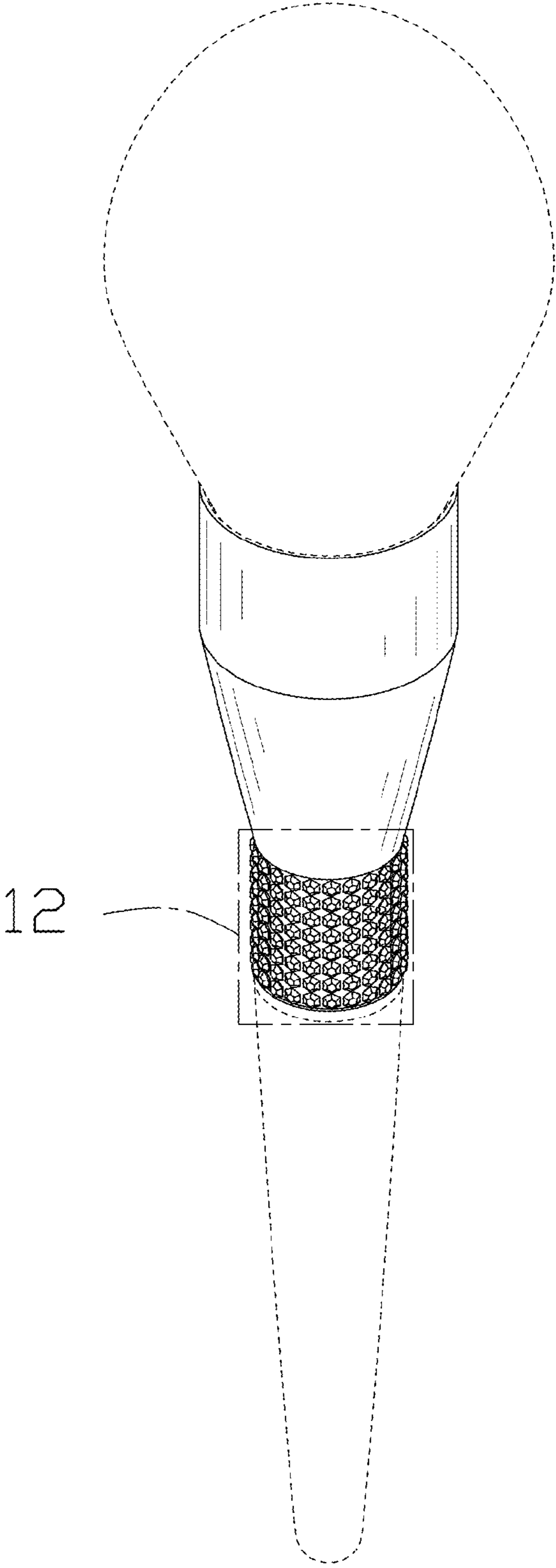


FIG. 1

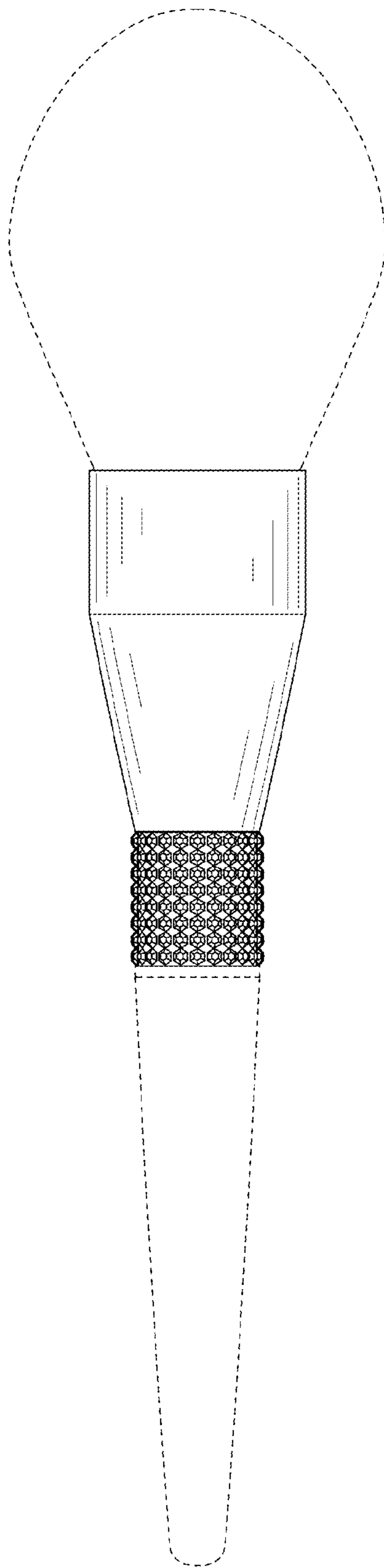


FIG. 2

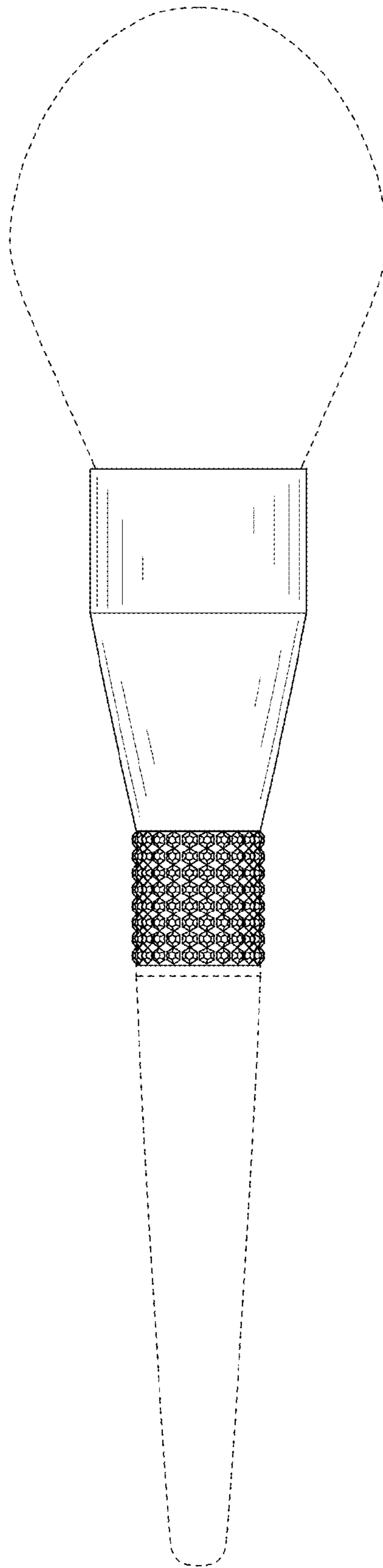


FIG. 3

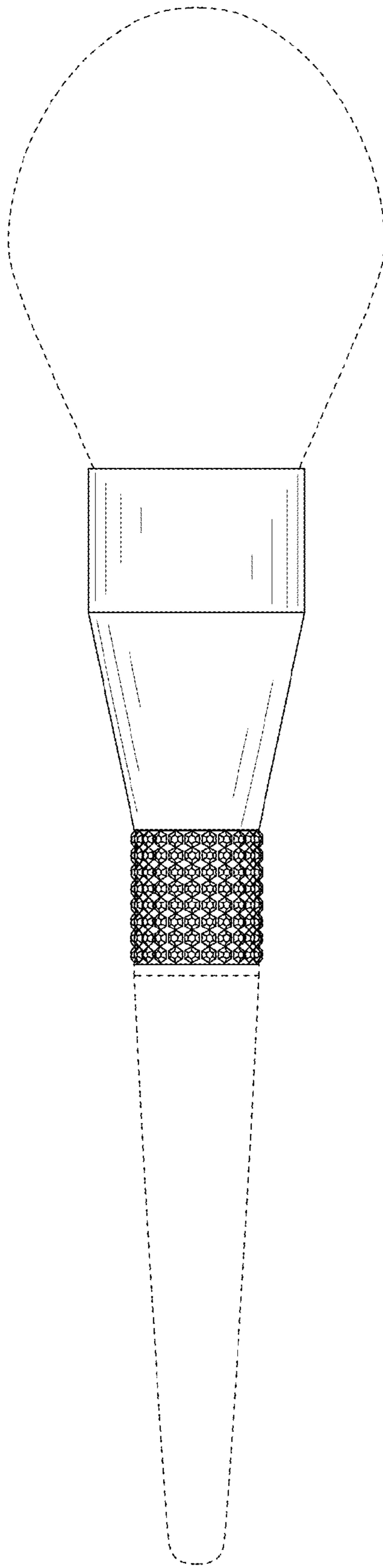


FIG. 4

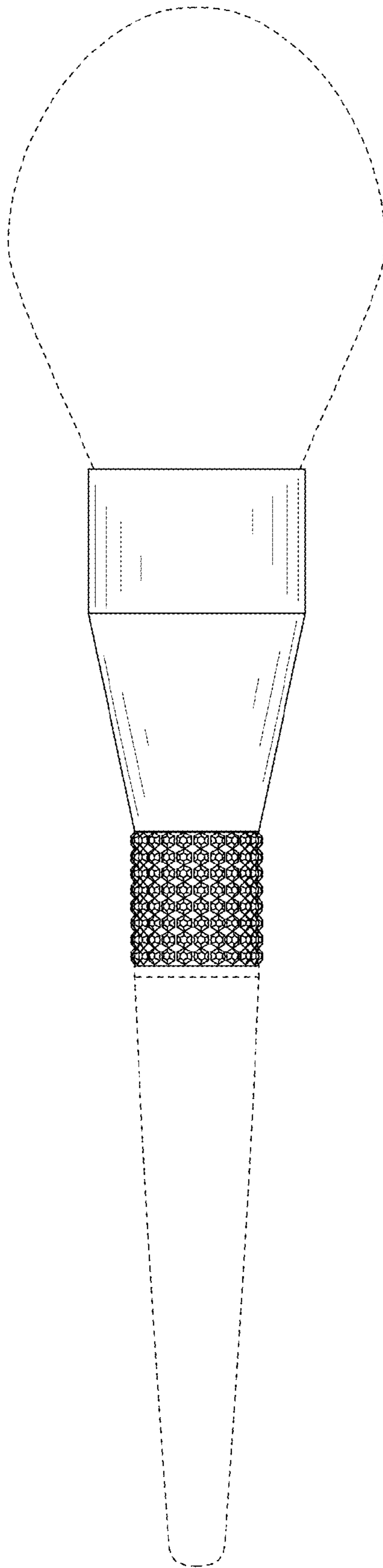


FIG. 5

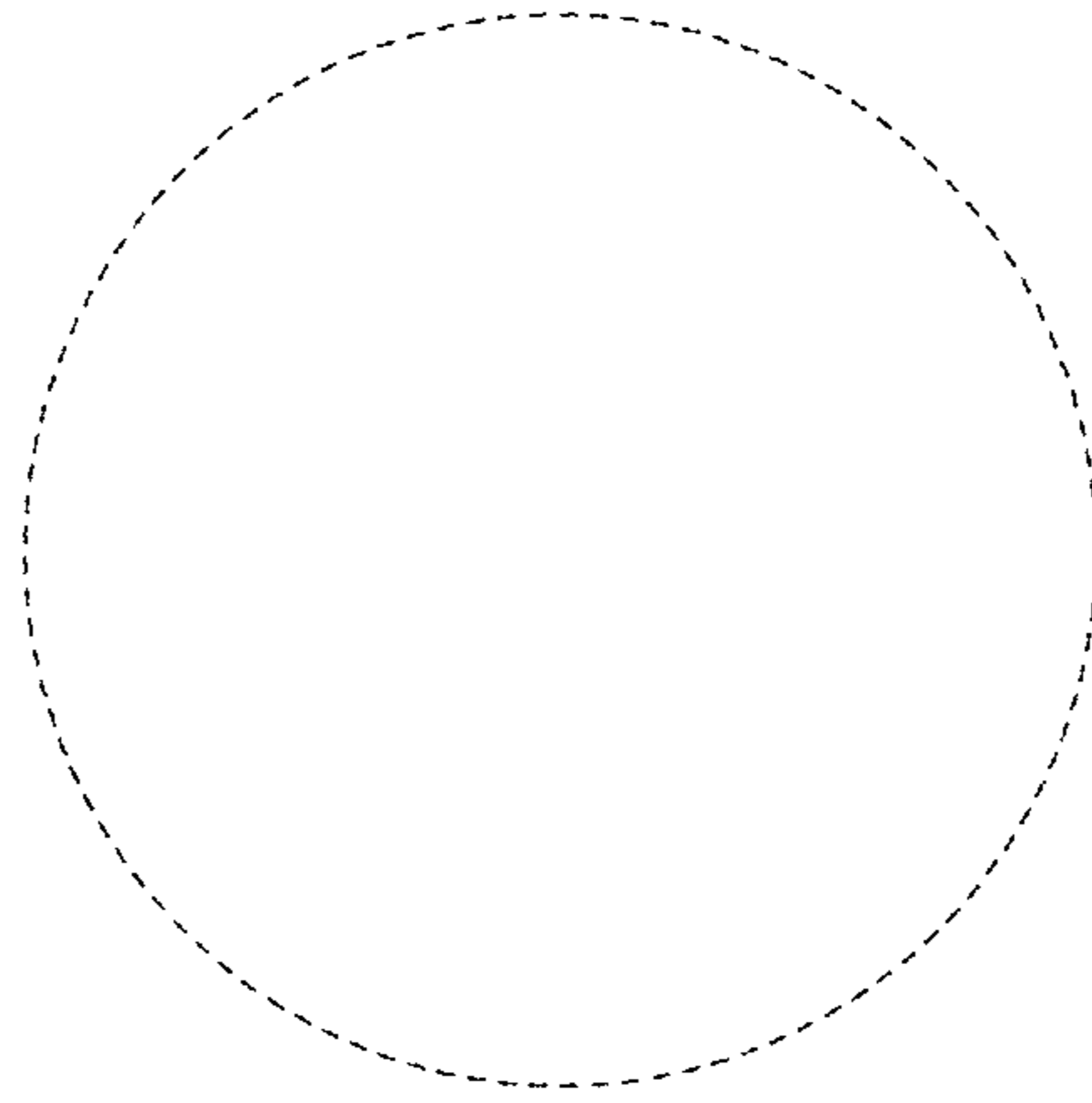


FIG. 6

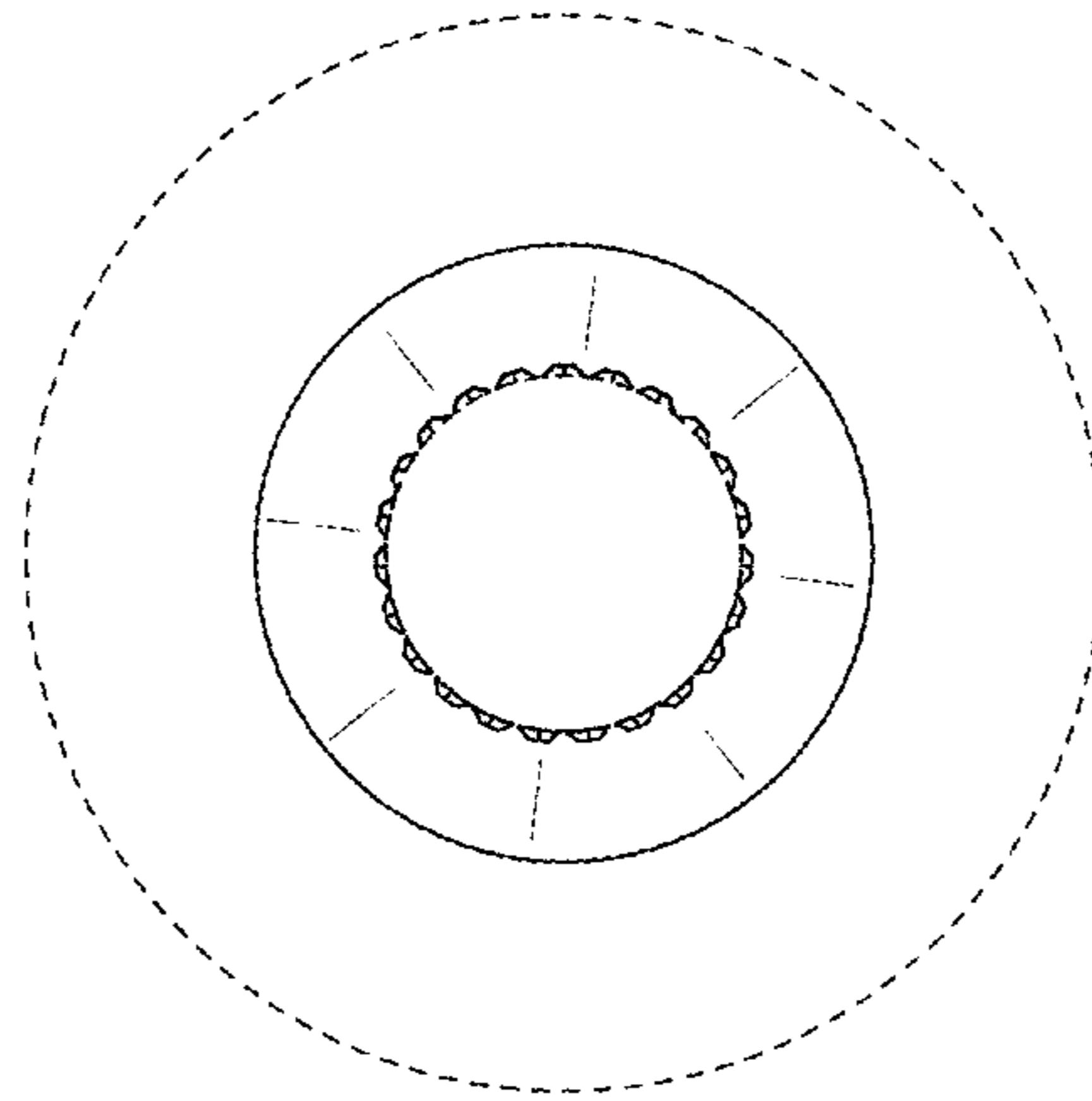


FIG. 7

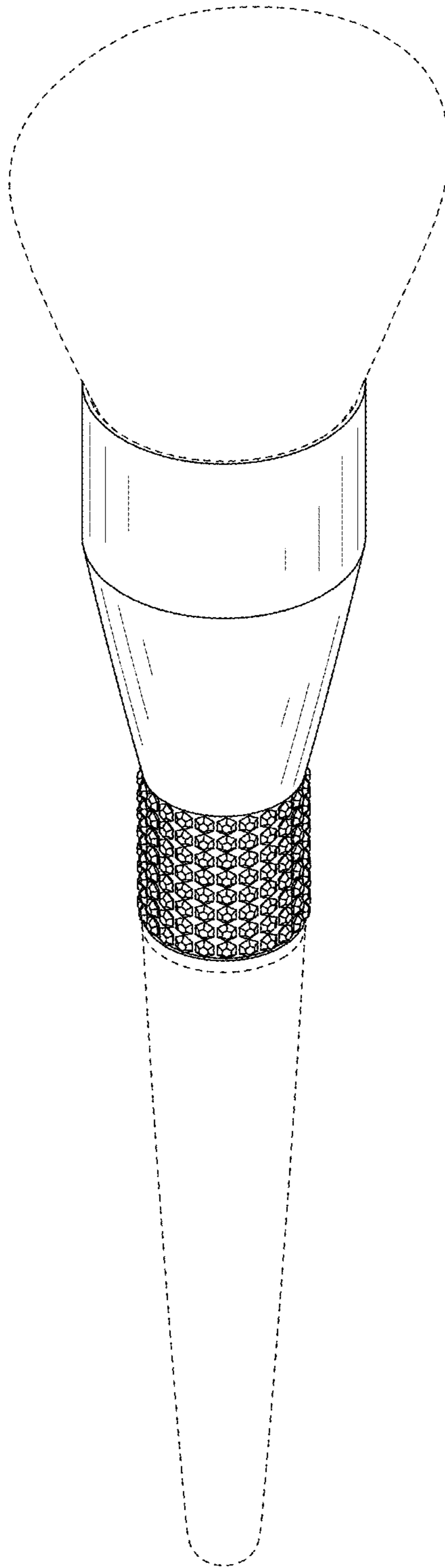


FIG. 8

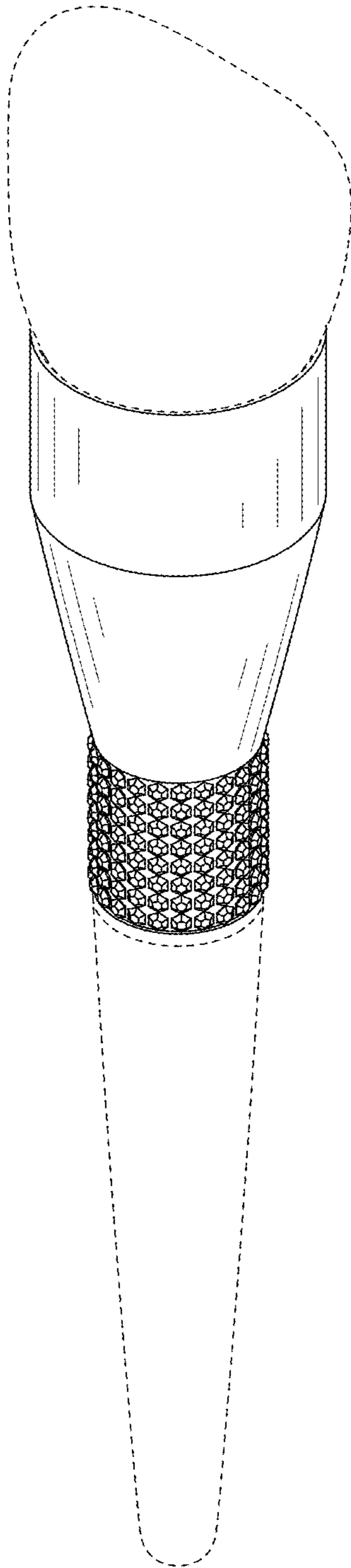


FIG. 9

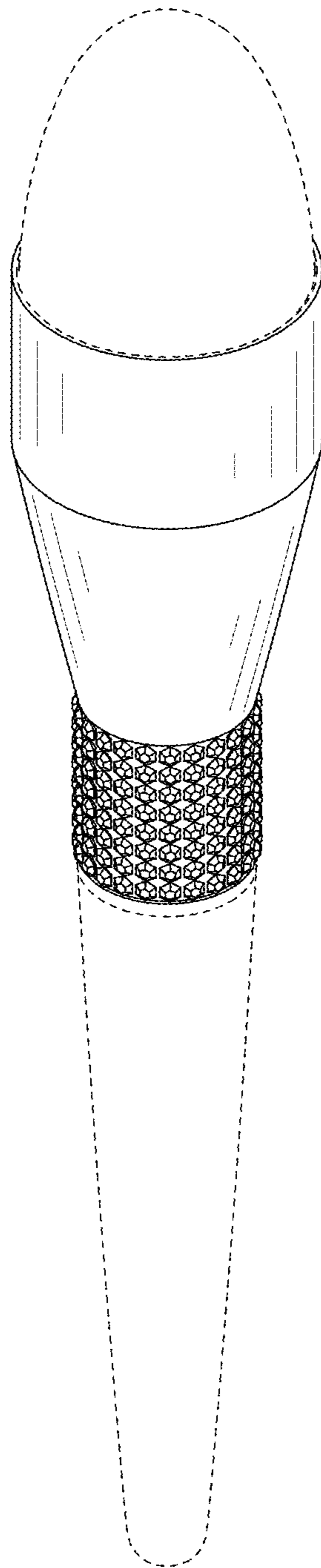


FIG. 10

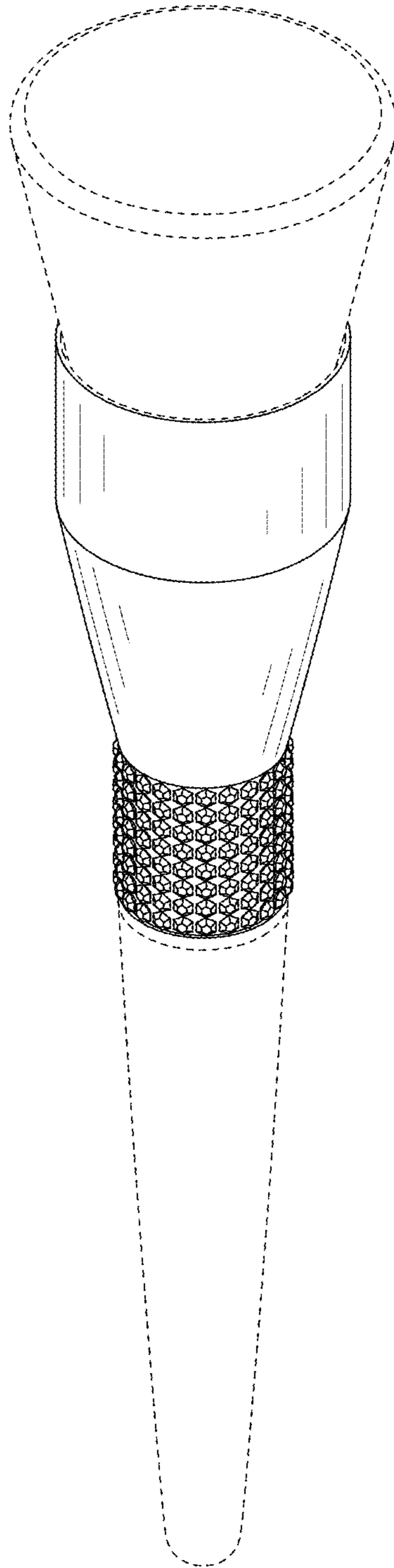


FIG. 11

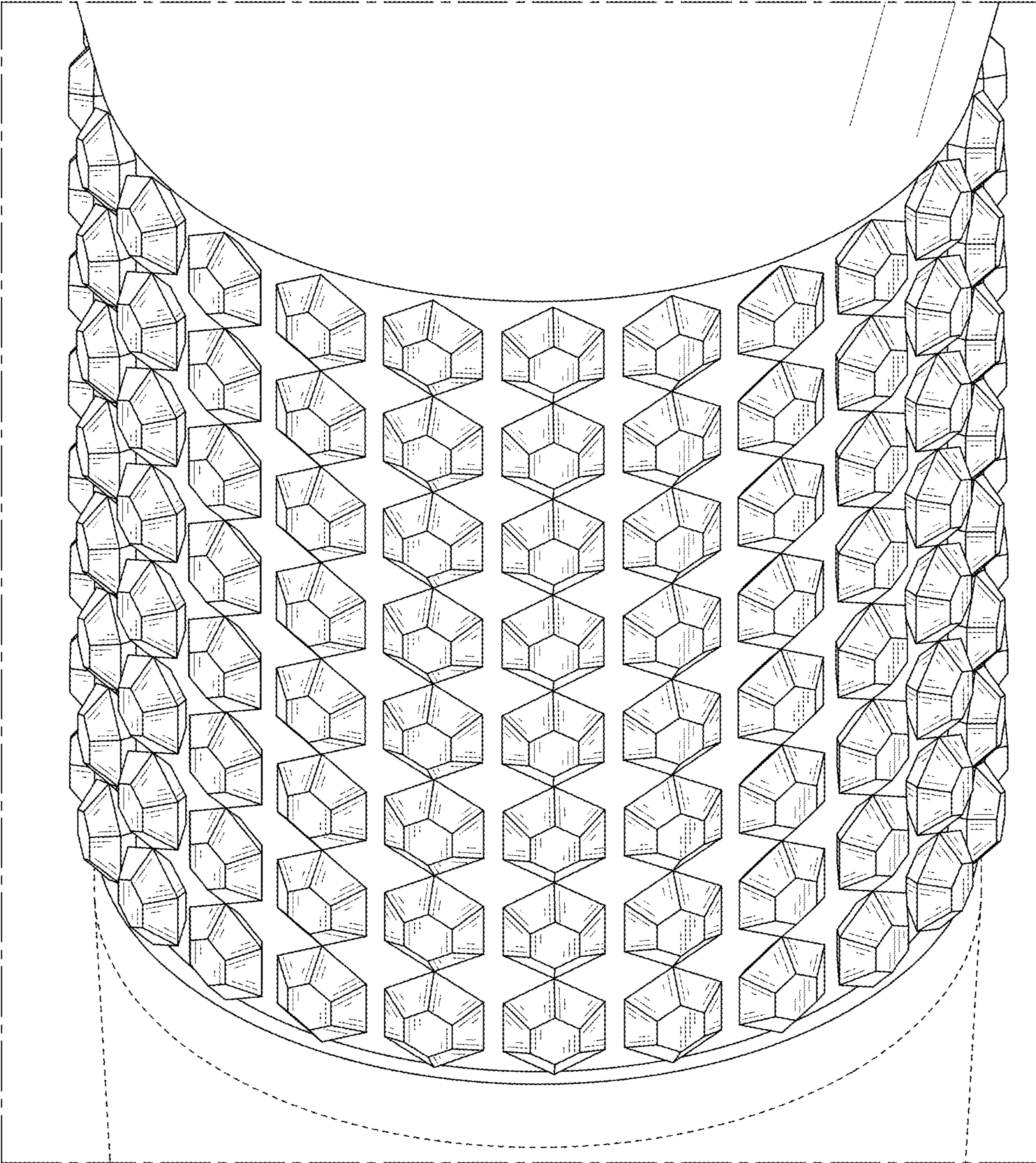


FIG. 12