



US00D935196S

(12) **United States Design Patent**
Zheng

(10) **Patent No.:** **US D935,196 S**
(45) **Date of Patent:** **** Nov. 9, 2021**

(54) **COMB**

(71) Applicant: **Shenzhen Baisuifang Biological Technology Co., Ltd.**, Shenzhen (CN)

(72) Inventor: **Haishan Zheng**, Shenzhen (CN)

(**) Term: **15 Years**

(21) Appl. No.: **29/734,480**

(22) Filed: **May 13, 2020**

(51) **LOC (13) Cl.** **04-99**

(52) **U.S. Cl.**
USPC **D4/134**

(58) **Field of Classification Search**

USPC D4/130, 131, 132, 133, 134, 135, 136,
D4/137, 138; D8/80, 83; D30/158, 159
CPC A01K 13/002; A46B 2200/1093; A46B
2200/104; A46B 17/06
See application file for complete search history.

(56) **References Cited**

U.S. PATENT DOCUMENTS

D163,271 S * 5/1951 Gibo D4/136
6,427,633 B1 * 8/2002 Ogden A01K 13/002
119/600
D470,981 S * 2/2003 Simon D30/158
D507,682 S * 7/2005 Dunn D30/158
D508,299 S * 8/2005 Dunn D30/158
D616,651 S * 6/2010 Lin D4/132
8,499,403 B2 * 8/2013 Wang A46B 9/023
15/169
10,278,364 B2 * 5/2019 Chen A46B 5/0062
2006/0000423 A1 * 1/2006 Morosin A01K 13/002
119/600

FOREIGN PATENT DOCUMENTS

CN 306484710 * 4/2021

OTHER PUBLICATIONS

Safari Brush, announced Oct. 2013 [online], [site visited May 20, 2021], Available from internet, URL: https://www.chewy.com/safari-self-cleaning-slicker-brush/dp/46212?utm_source=google-product&utm_medium=cpc&utm_campaign=hg (Year: 2013).*
Hortzko Brush, announced Nov. 2017 [online], [site visited May 20, 2021], Available from internet, URL: <https://www.chewy.com/hertzko-self-cleaning-dog-cat-slicker/dp/163257> (Year: 2017).*
Gorilla Grip Brush, announced Feb. 2021 [online], [site visited May 20, 2021], Available from internet, URL: https://www.amazon.com/Gorilla-Grip-Cleaning-Comfortable-Grooming/dp/B08C93M8MX/ref=sr_1_2_sspa (Year: 2021).*
Ruff Brush, announced Jul. 2020 [online], [site visited May 20, 2021], Available from internet, URL: https://www.amazon.com/dp/B08DJD5B1F/ref=sspa_dk_detail_0 (Year: 2020).*

(Continued)

Primary Examiner — George A Bugg
Assistant Examiner — Tamara L Hahn

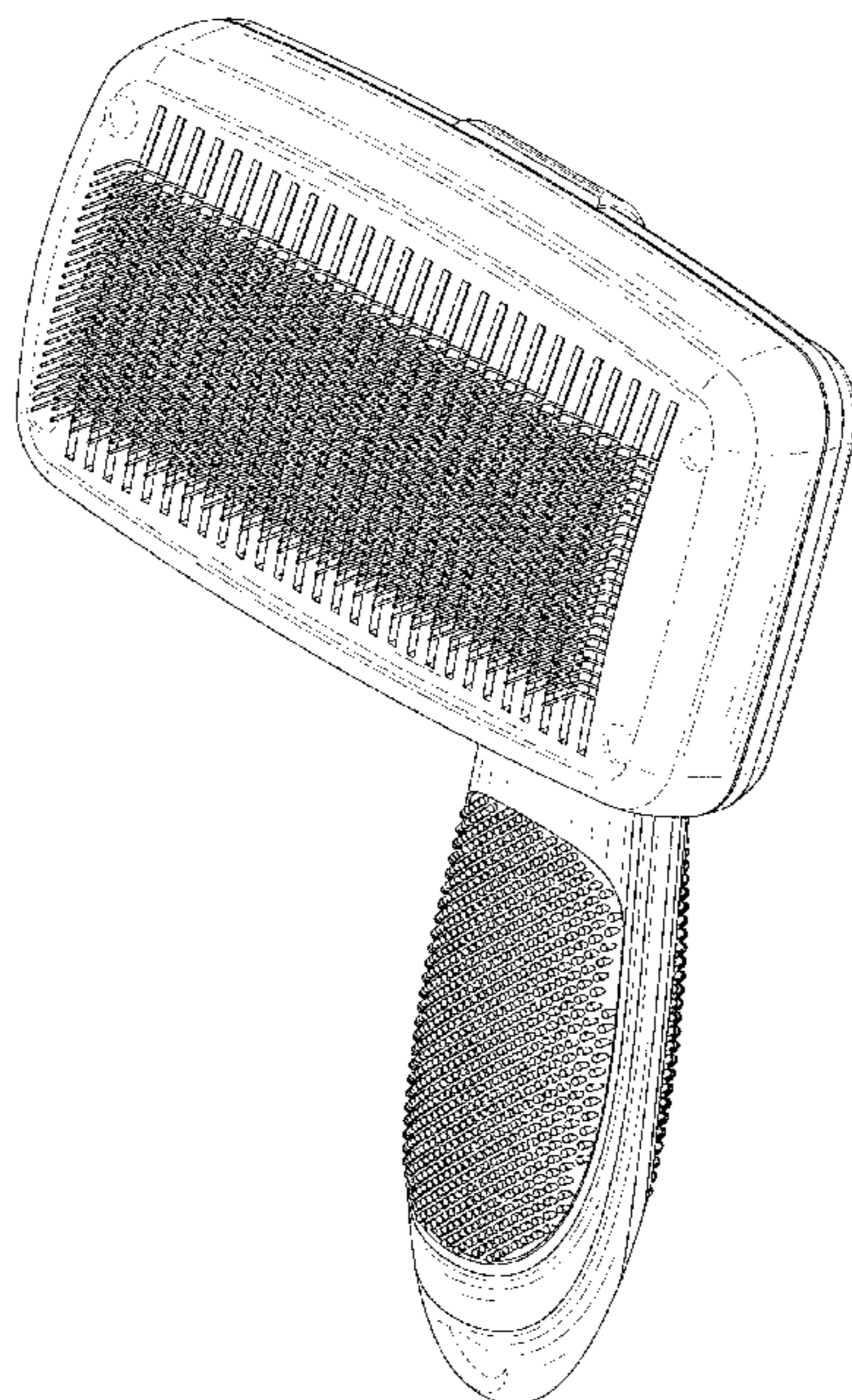
(57) **CLAIM**

The ornamental design for a comb, as shown and described.

DESCRIPTION

FIG. 1 is a first perspective view of a comb showing my new design;
FIG. 2 is a second perspective view thereof;
FIG. 3 is a front view thereof;
FIG. 4 is a back view thereof;
FIG. 5 is a left side view thereof;
FIG. 6 is a right side view thereof;
FIG. 7 is a top view thereof; and,
FIG. 8 is a bottom view thereof.
The broken lines shown in the drawings depict portions of the comb in which the design is embodied that form no part of the claimed design.

1 Claim, 8 Drawing Sheets



(56)

References Cited

OTHER PUBLICATIONS

Petifine Brush, announced Nov. 2020 [online], [site visited May 21, 2021]. Available from internet, URL: https://www.amazon.com/dp/B08MKG621F/ref=sspa_dk_detail_6ZQ (Year: 2020).*

Petco Brush, announced 2017 [online], [site visited May 21, 2021]. Available from internet, URL: <https://www.petco.com/shop/en/petcostore/product/well-and-good-black-self-cleaning-slicker-dog-brush-2721952#reviews> (Year: 2017).*

* cited by examiner

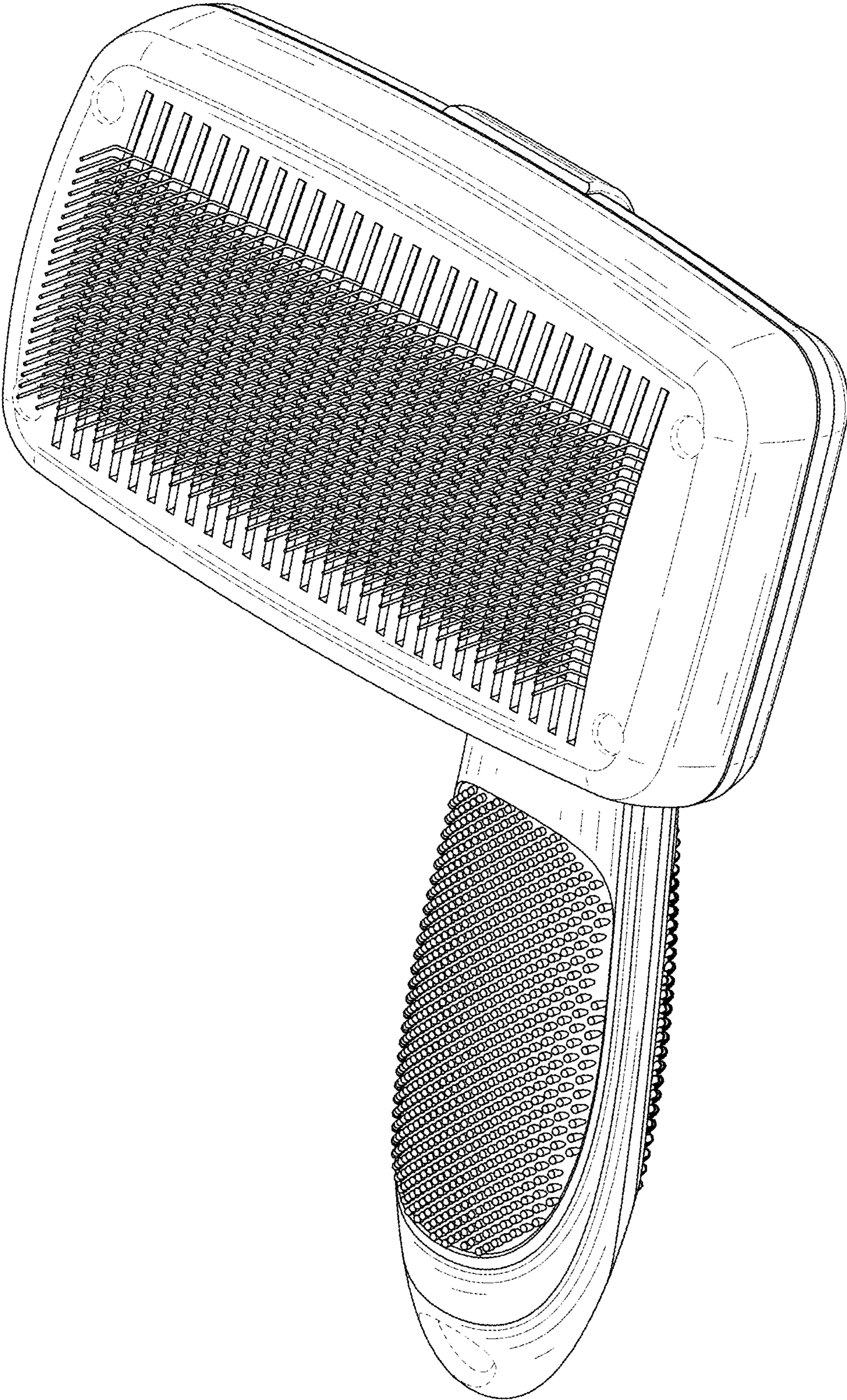


FIG. 1

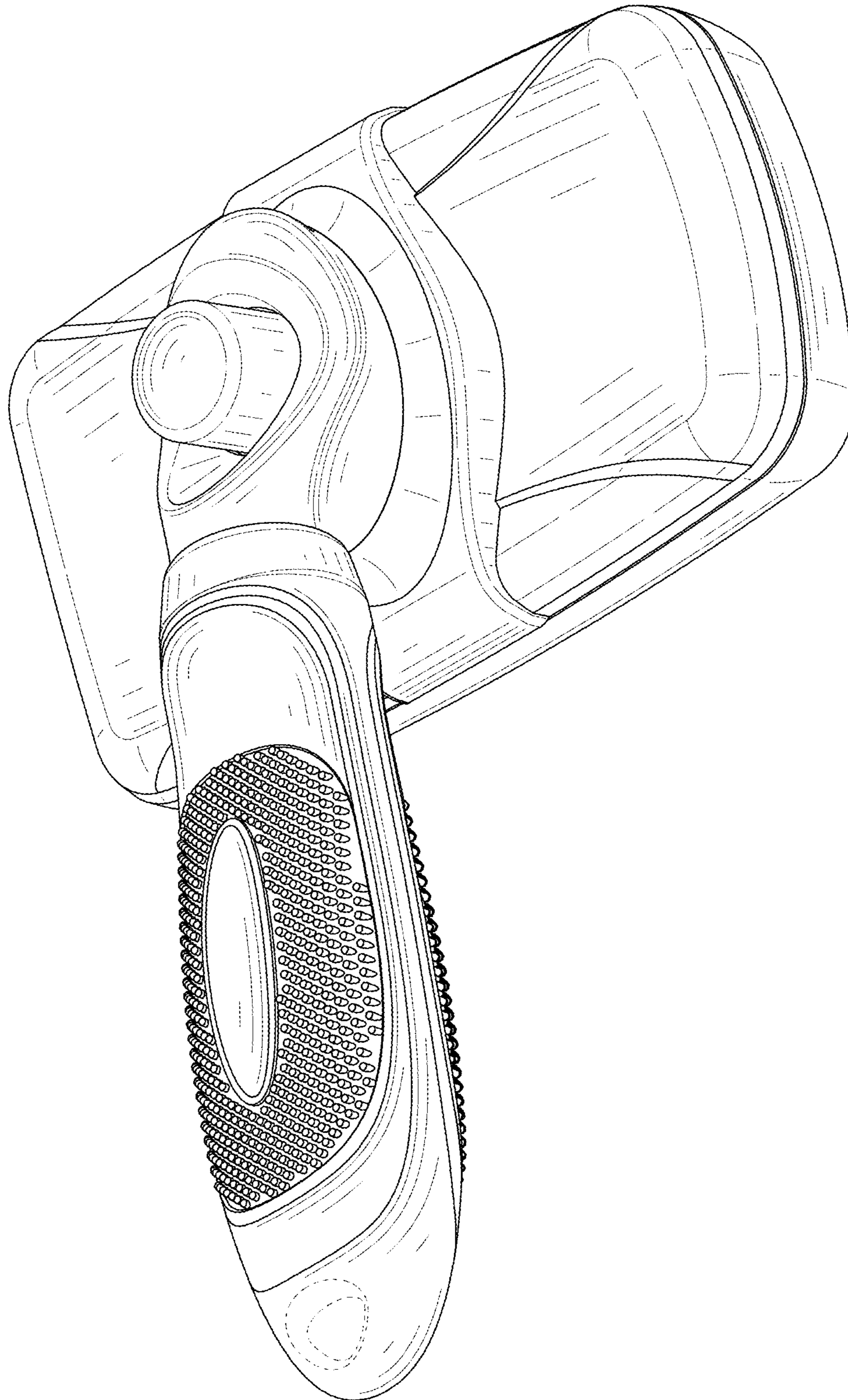


FIG. 2

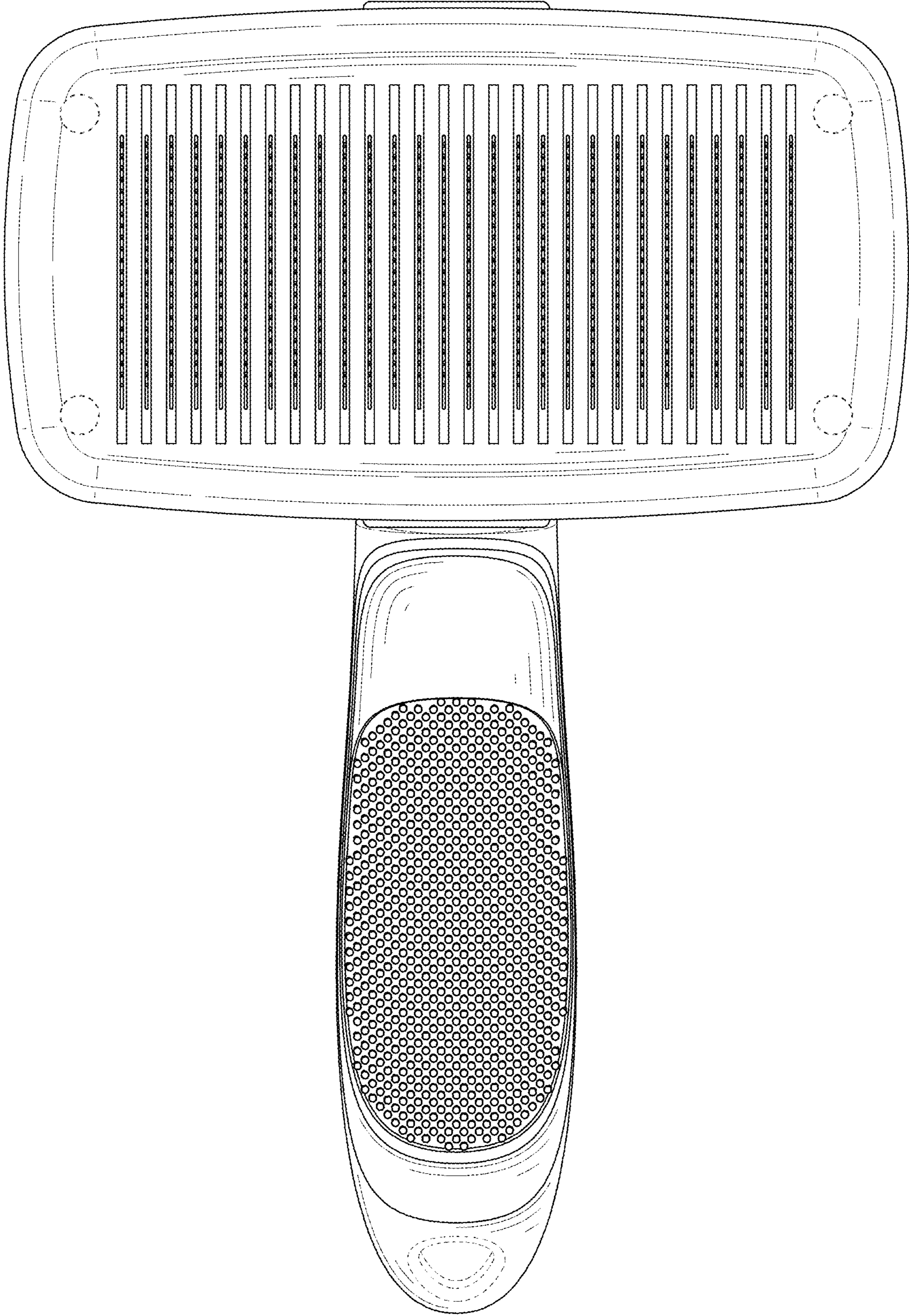


FIG. 3

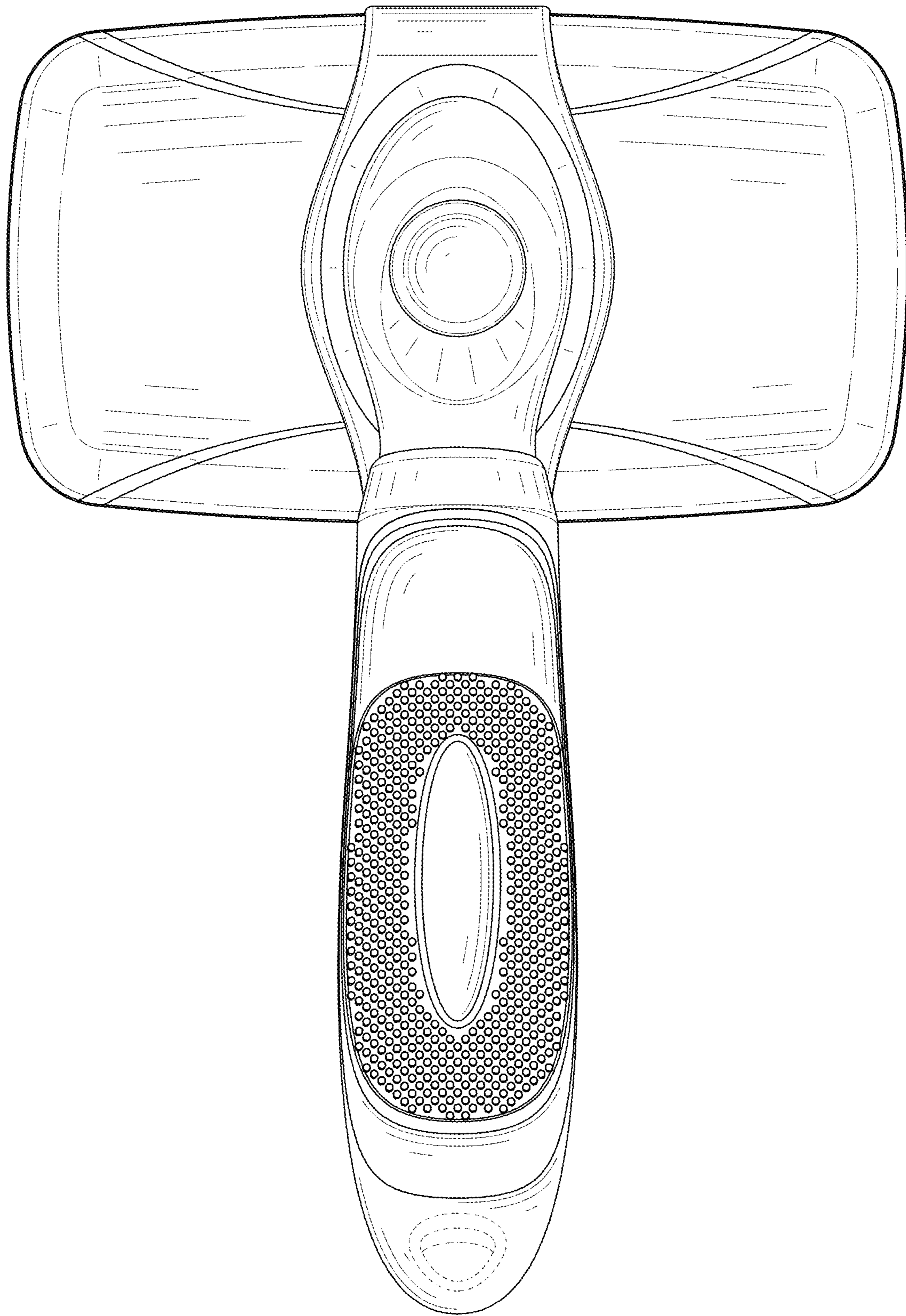


FIG. 4

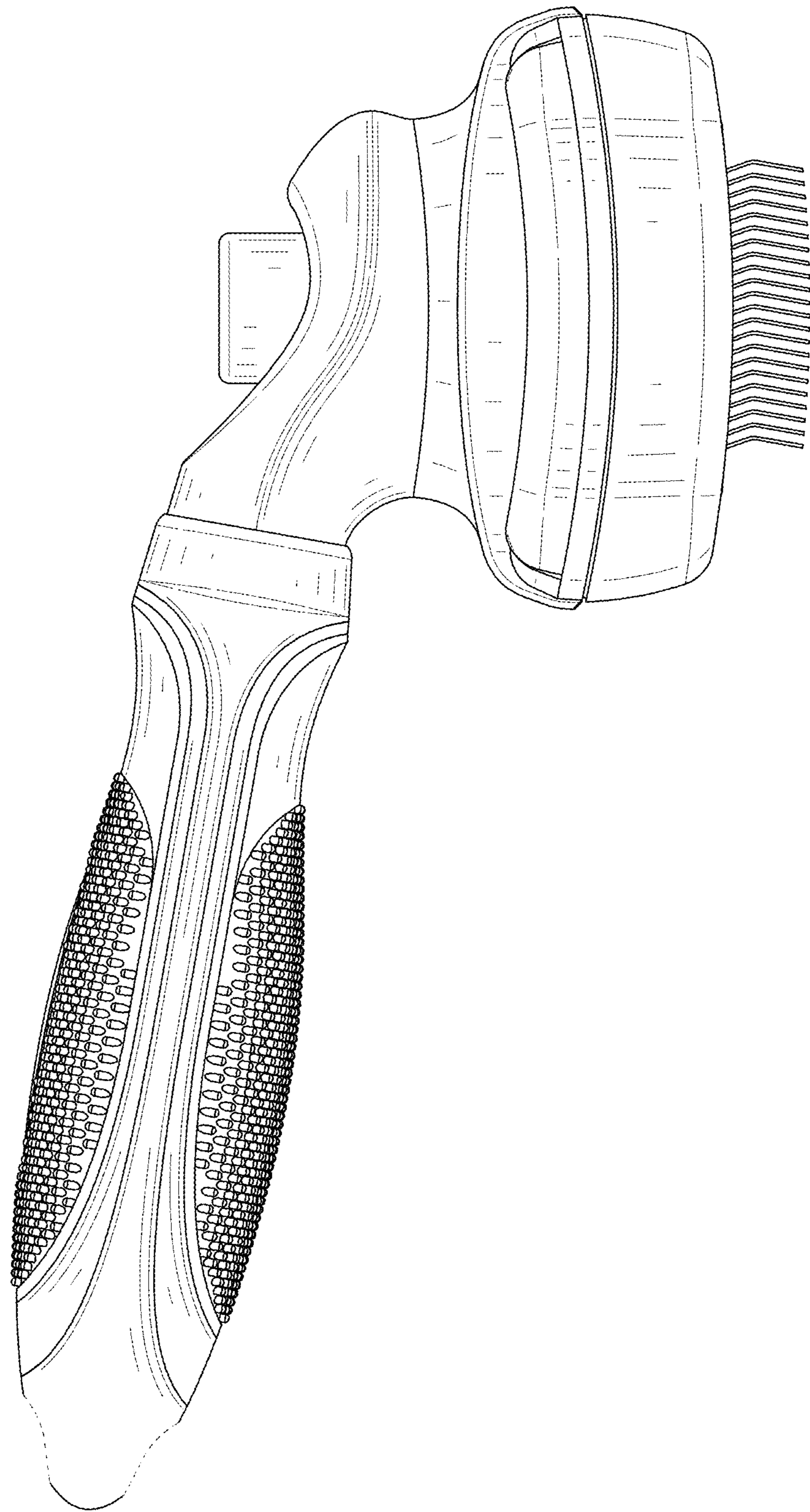


FIG. 5

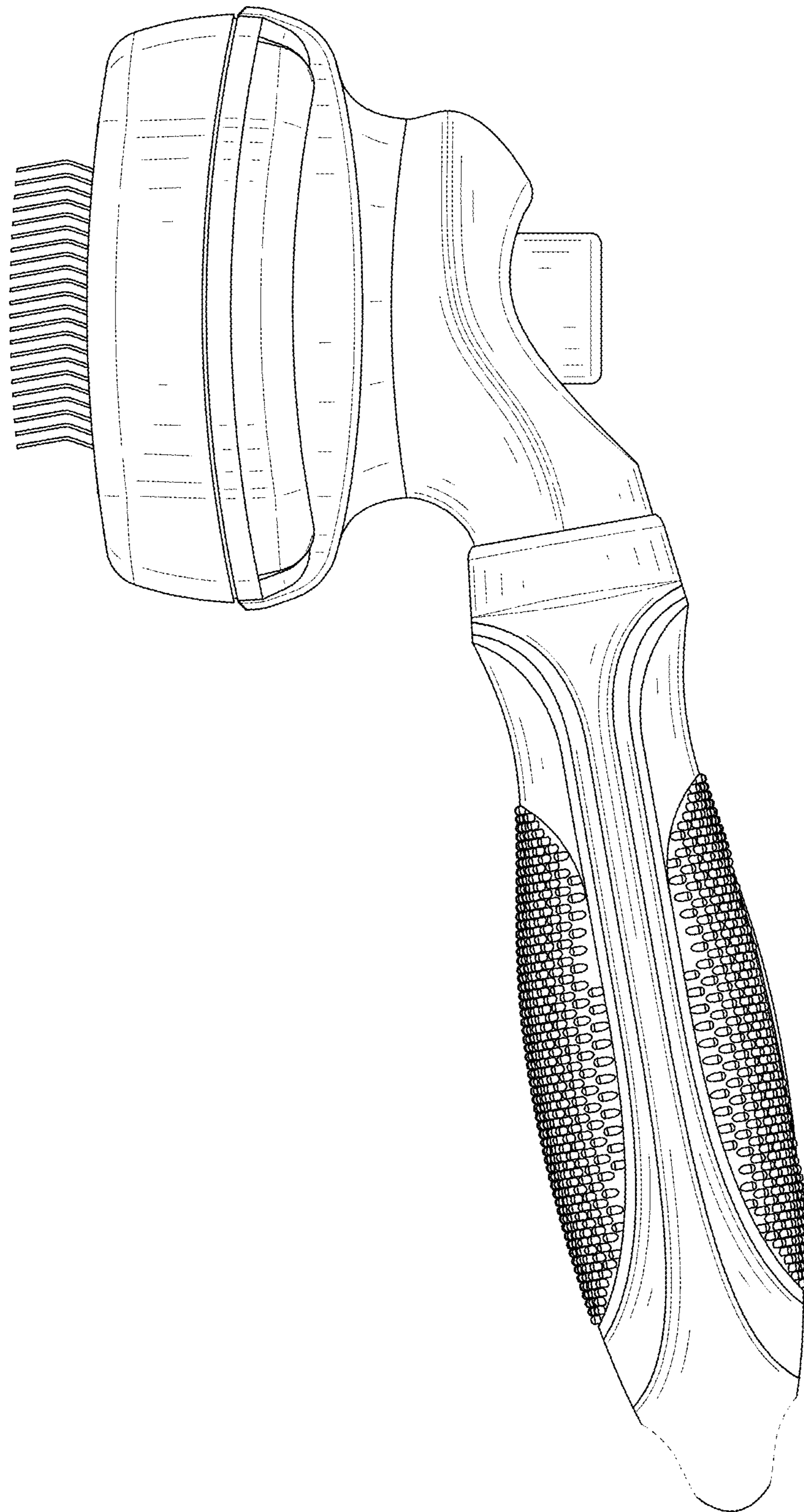


FIG. 6

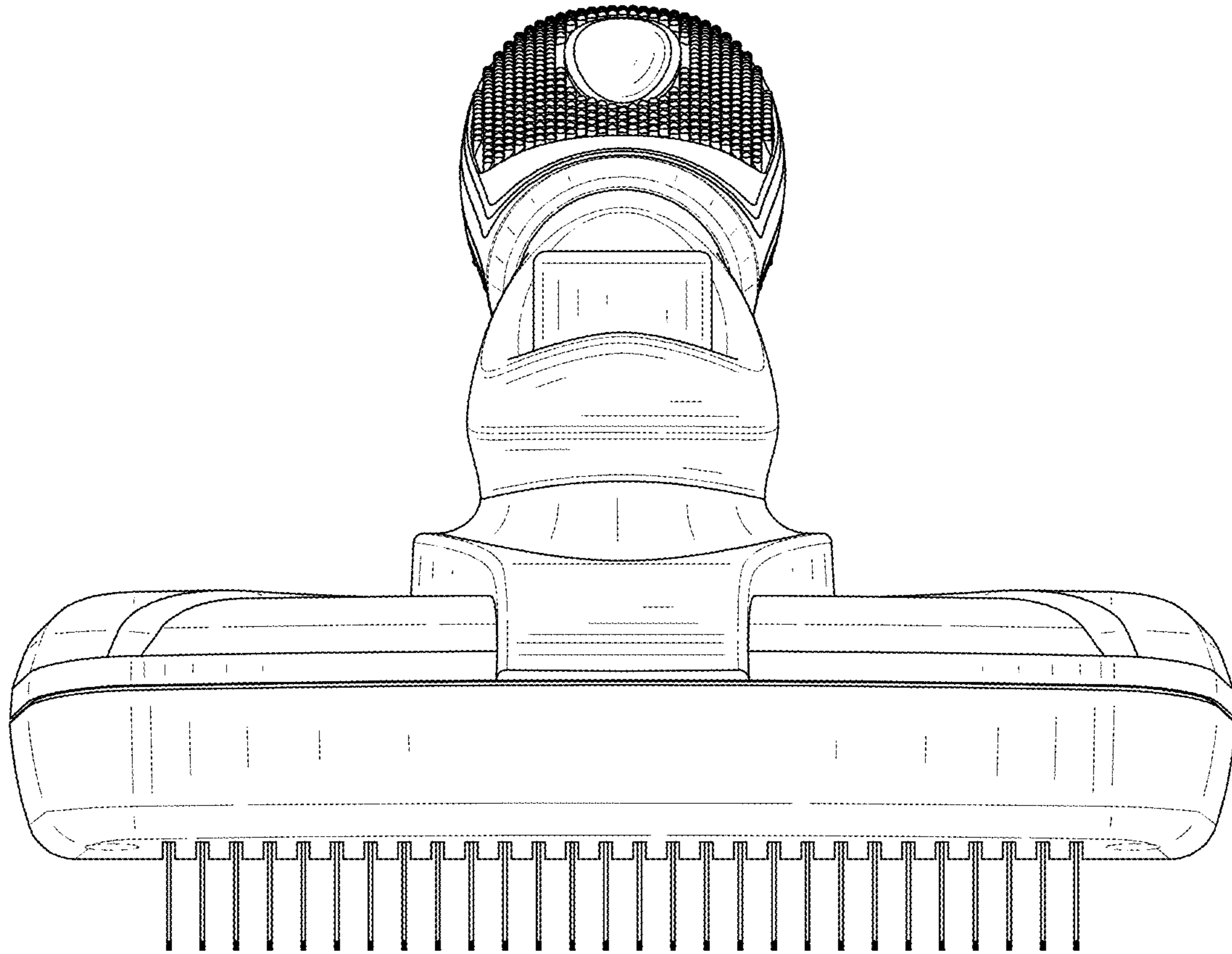


FIG. 7

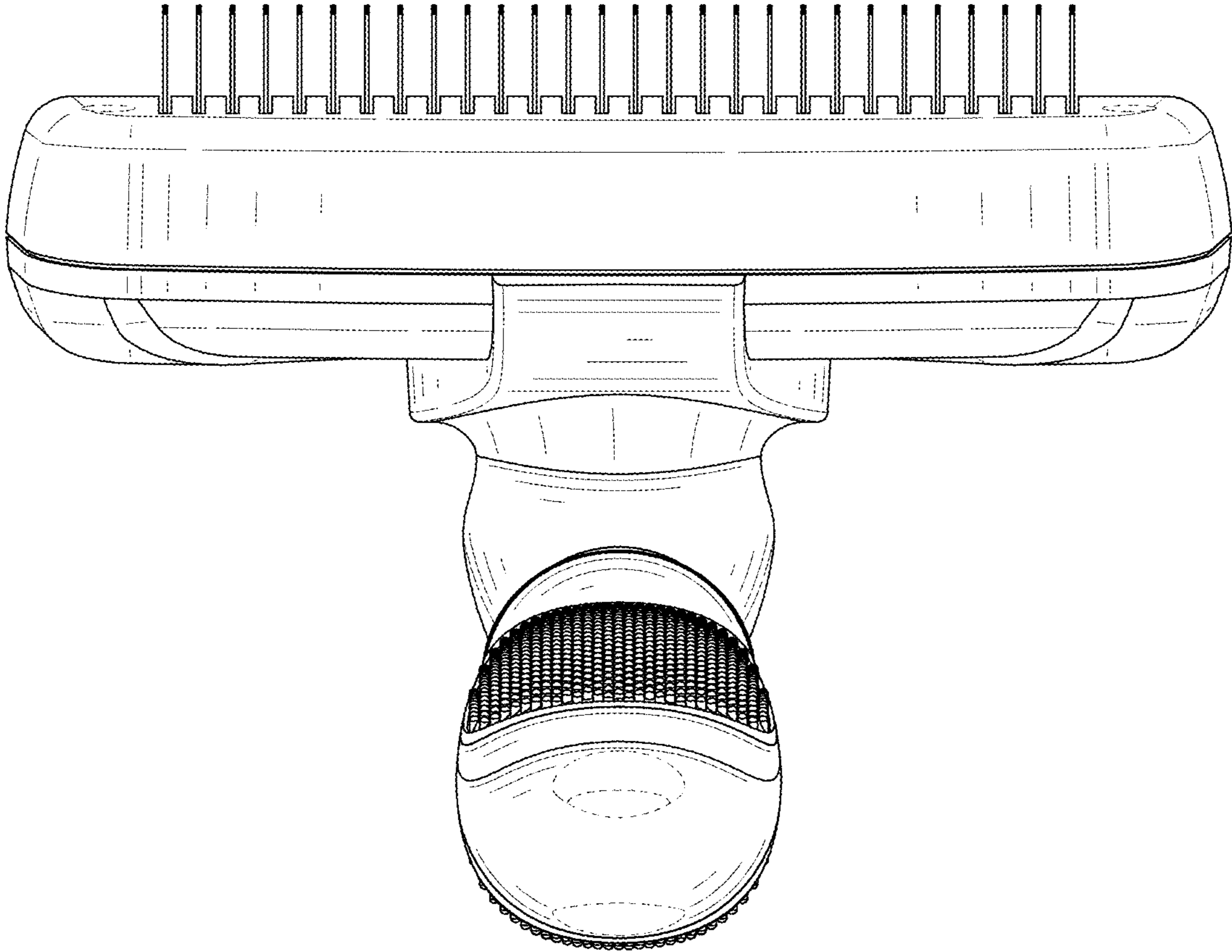


FIG. 8