



US00D935194S

(12) **United States Design Patent**
Yang

(10) **Patent No.:** **US D935,194 S**

(45) **Date of Patent:** **** Nov. 9, 2021**

(54) **TOOTHBRUSH HEAD**
(71) Applicant: **Shuai Yang**, Guangdong (CN)
(72) Inventor: **Shuai Yang**, Guangdong (CN)
(73) Assignee: **Soniclean Technology Ltd.**, Dallas, TX (US)

8,621,698 B2 * 1/2014 Chenvainu A46B 9/045
15/22.1
9,364,303 B2 * 6/2016 Driesen A61C 17/3436
9,439,741 B2 * 9/2016 Dishon A46B 5/0095
D885,060 S * 5/2020 Orkin D4/101
D907,369 S * 1/2021 Yang D4/101

(**) Term: **15 Years**

(21) Appl. No.: **29/729,003**

(22) Filed: **Mar. 24, 2020**

(51) **LOC (13) Cl.** **28-03**

(52) **U.S. Cl.**
USPC **D4/110**

(58) **Field of Classification Search**
USPC D4/100, 101, 102, 104, 105, 106, 107,
D4/108, 109, 110, 111, 112, 113, 114,
D4/115, 116, 17, 118, 119, 120, 121, 127,
D4/128, 129, 130, 131, 132, 133, 134,
D4/135, 136, 137, 138, 199; D30/158
CPC A46B 2200/1066; A46B 5/02; A46B 9/04;
A46B 2200/1073; A46B 2200/1086;
A61C 17/22
See application file for complete search history.

(56) **References Cited**

U.S. PATENT DOCUMENTS

D526,487 S * 8/2006 Chenvainu D4/101
D612,611 S * 3/2010 Brown, Jr. D4/101
7,941,886 B2 * 5/2011 Chenvainu A46B 13/008
15/22.4

FOREIGN PATENT DOCUMENTS

CN 304396956 * 12/2017
CN 304930304 * 12/2018
CN 305039791 * 2/2019
EM 005808698-0001 * 10/2018

* cited by examiner

Primary Examiner — Karen E Eldridge Powers

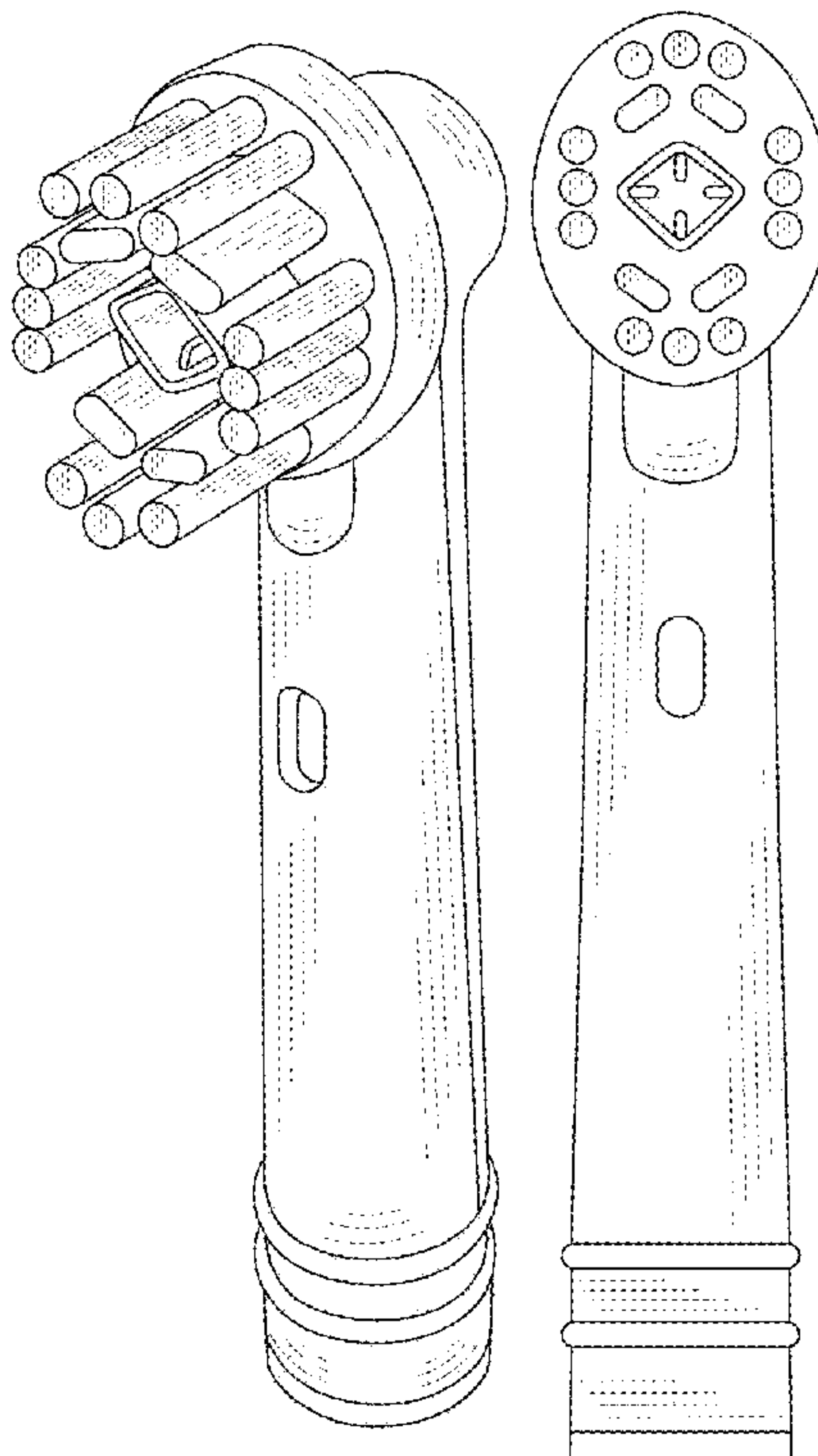
(57) **CLAIM**

The ornamental design for a toothbrush head, as shown and described.

DESCRIPTION

FIG. 1 is a perspective view of a toothbrush head showing my new design;
FIG. 2 is a front elevation view thereof;
FIG. 3 is a rear elevation view thereof;
FIG. 4 is a left side elevation view thereof;
FIG. 5 is a right side elevation view thereof;
FIG. 6 is a top plan view thereof; and,
FIG. 7 is a bottom plan view thereof.
The broken lines depict portions of the toothbrush head that form no part of the claimed design.

1 Claim, 7 Drawing Sheets



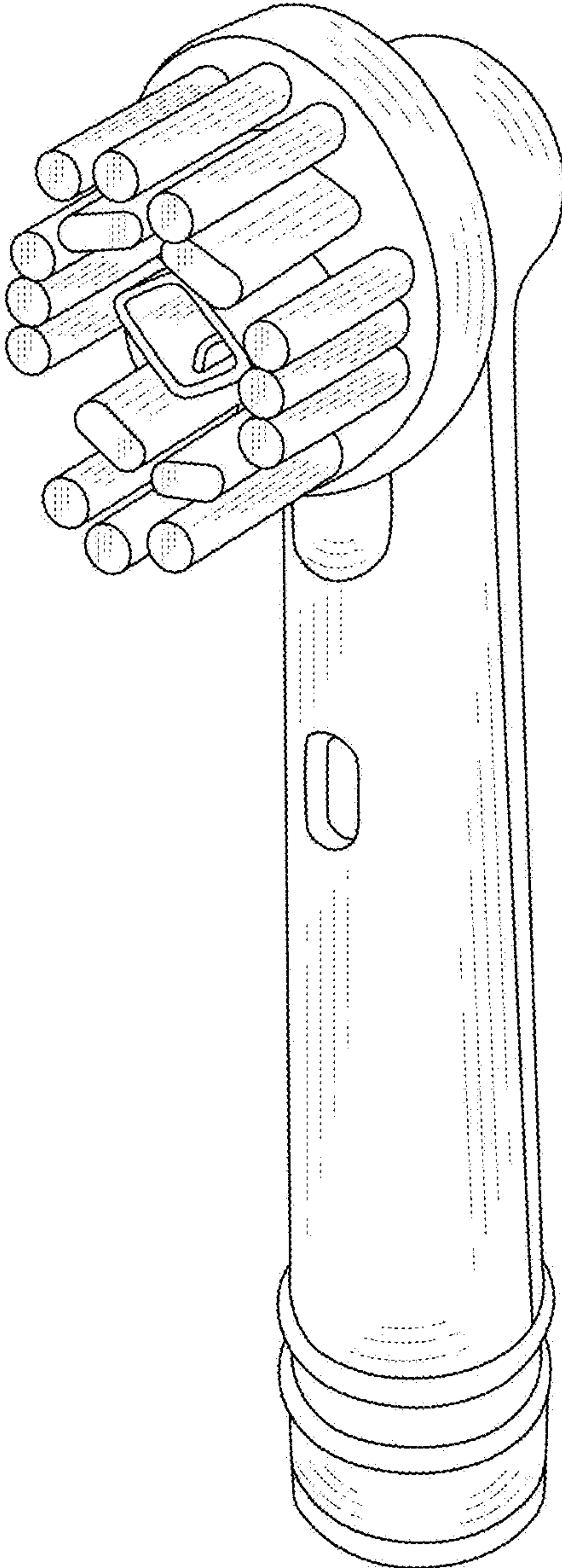


FIG.1

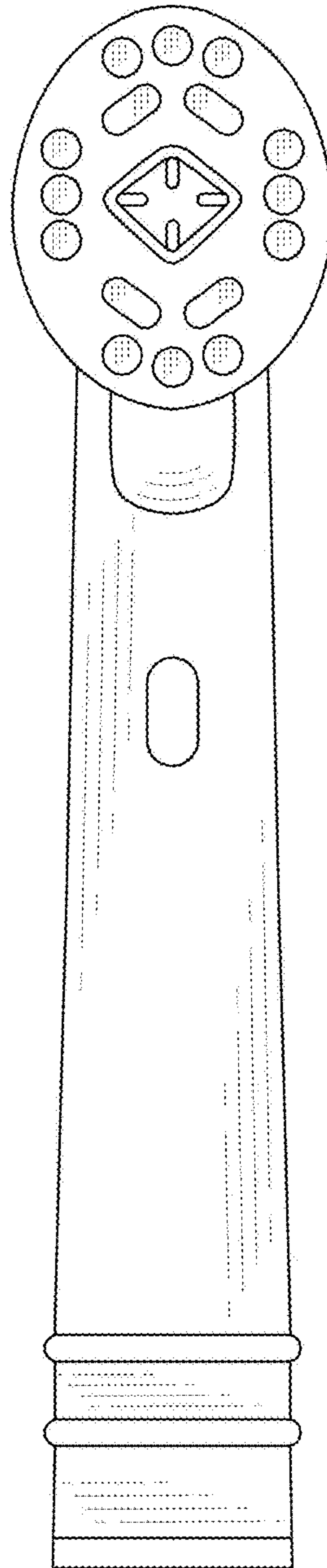


FIG.2

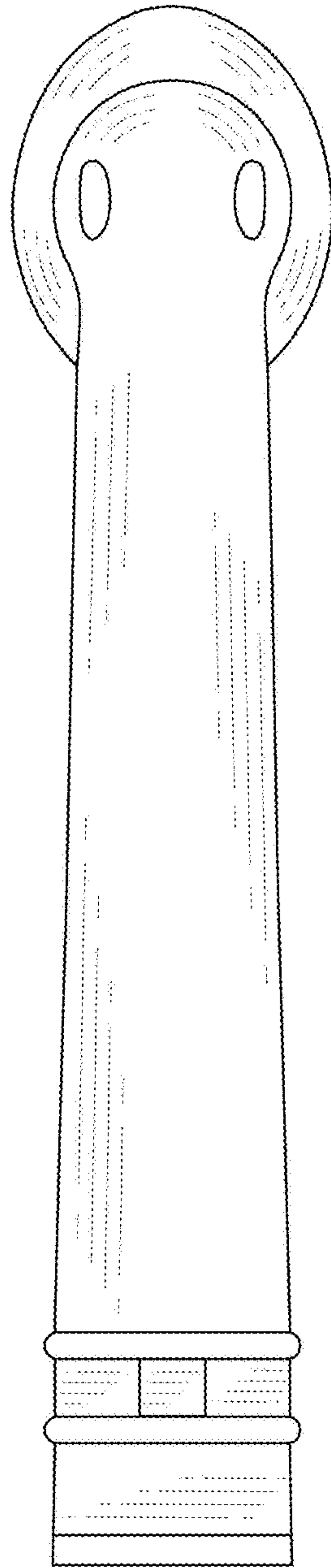


FIG.3

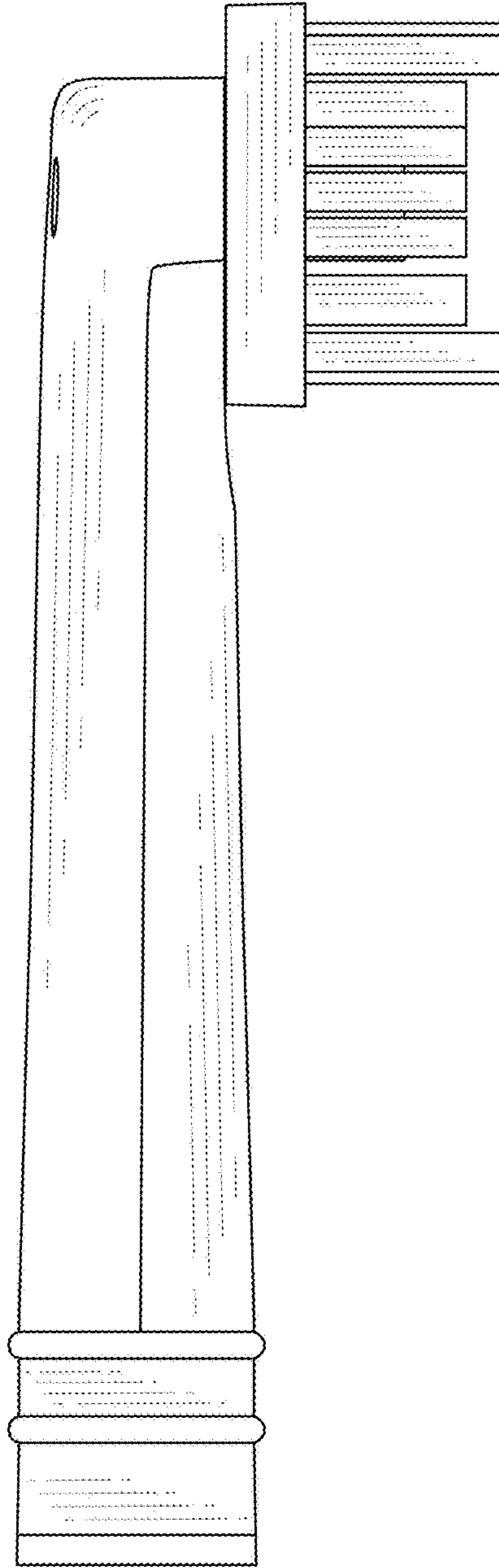


FIG.4

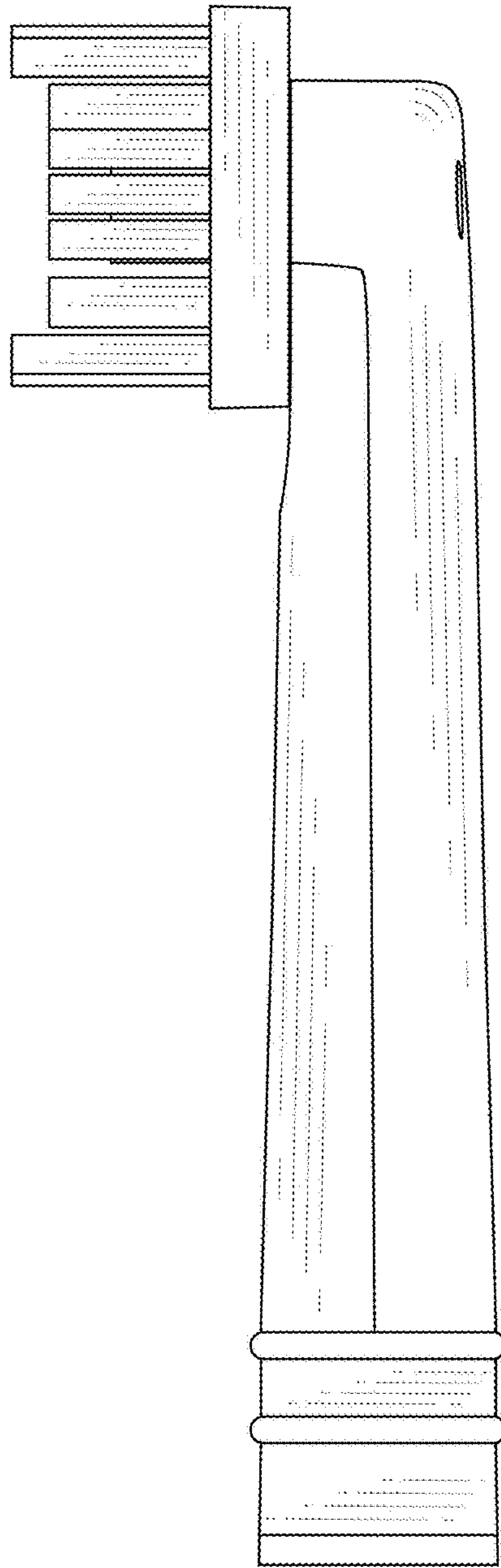


FIG.5

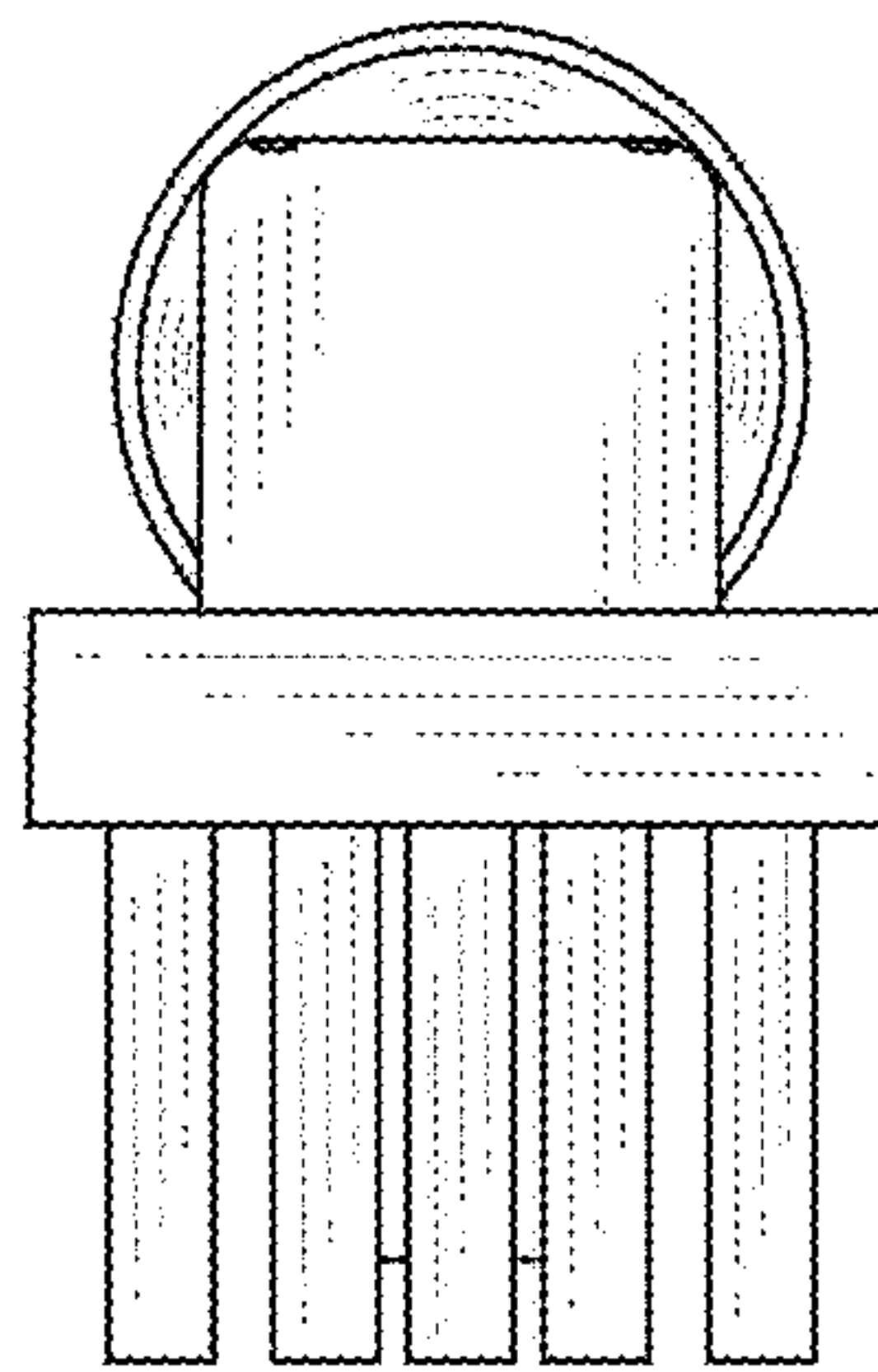


FIG.6

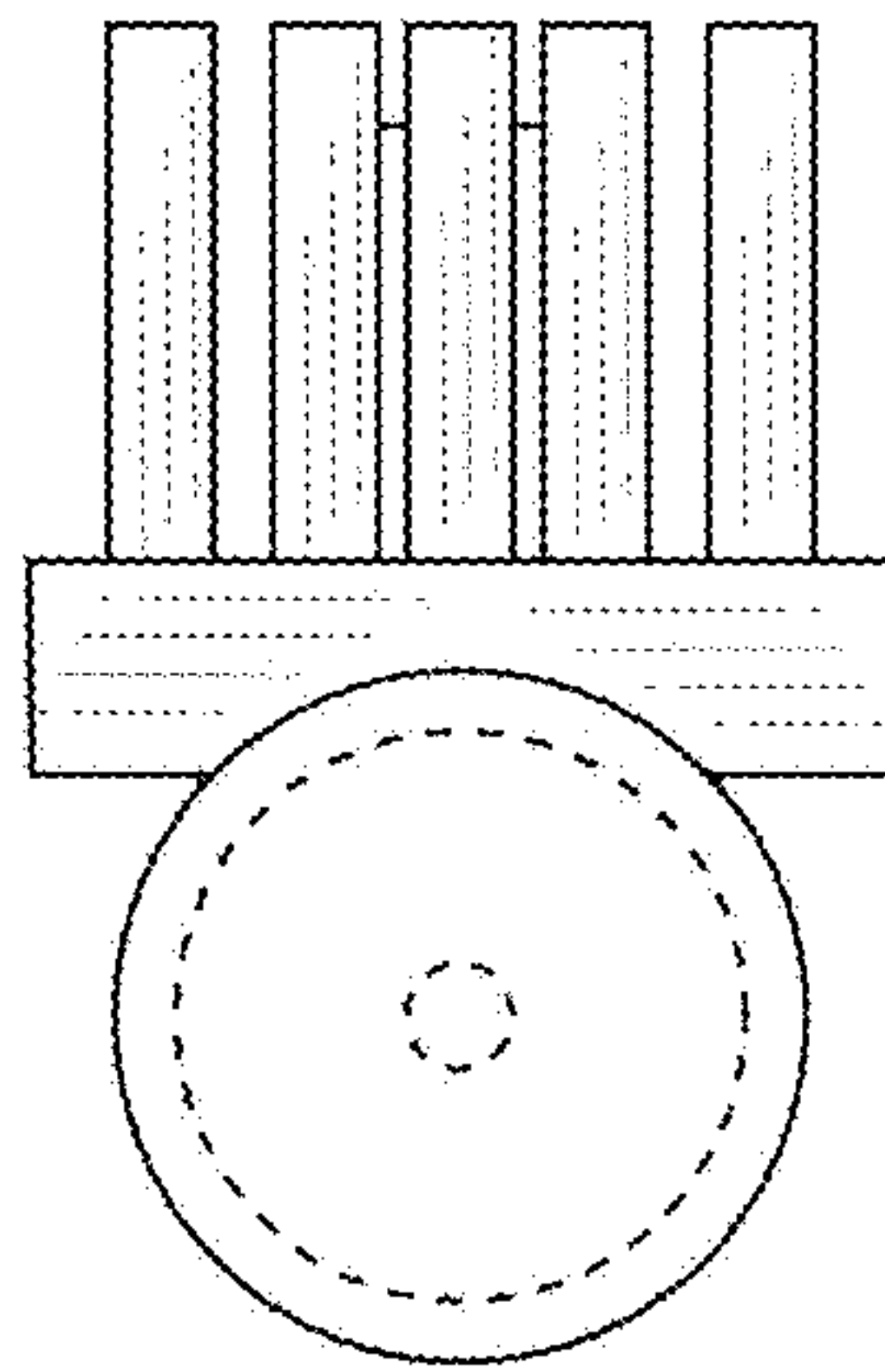


FIG. 7