



US00D935187S

(12) **United States Design Patent** (10) **Patent No.:** **US D935,187 S**
Hu (45) **Date of Patent:** **** Nov. 9, 2021**

(54) **ELECTRIC TOOTHBRUSH HEAD**
(71) Applicant: **Hansheng Hu**, Shenzhen (CN)
(72) Inventor: **Hansheng Hu**, Shenzhen (CN)
(73) Assignee: **Shenzhen Ya Bei Kang Technology Co., Ltd.**, Shenzhen (CN)
(**) Term: **15 Years**

D448,173 S * 9/2001 Harris D4/104
D448,569 S * 10/2001 Harris D4/104
D657,565 S * 4/2012 Gebski D4/101
D715,057 S * 10/2014 Adriaenssen D4/101
D747,609 S * 1/2016 Watkins D4/101
D759,380 S * 6/2016 Watkins D4/101
D759,383 S * 6/2016 Watkins D4/101
D864,575 S * 10/2019 Meng D4/101
D887,145 S * 6/2020 Hu D4/101
D891,116 S * 7/2020 Feng D4/101
D895,296 S * 9/2020 Hu D4/101

(21) Appl. No.: **29/697,303**
(22) Filed: **Jul. 8, 2019**
(51) **LOC (13) Cl.** **04-02**
(52) **U.S. Cl.**
USPC **D4/101**
(58) **Field of Classification Search**
USPC D4/100–113, 127, 128, 136, 137, 138,
D4/199; D24/152, 176
CPC A46B 2200/1066; A46B 5/02; A46B 9/04;
A46B 15/0071; A61C 17/16; A61C
17/221; A61C 17/222
See application file for complete search history.

FOREIGN PATENT DOCUMENTS

CN 305701966 * 4/2020
CN 306332460 * 2/2021

* cited by examiner

Primary Examiner — Rebekah A Caruso

(57) **CLAIM**

The ornamental design for an electric toothbrush head, as shown and described.

DESCRIPTION

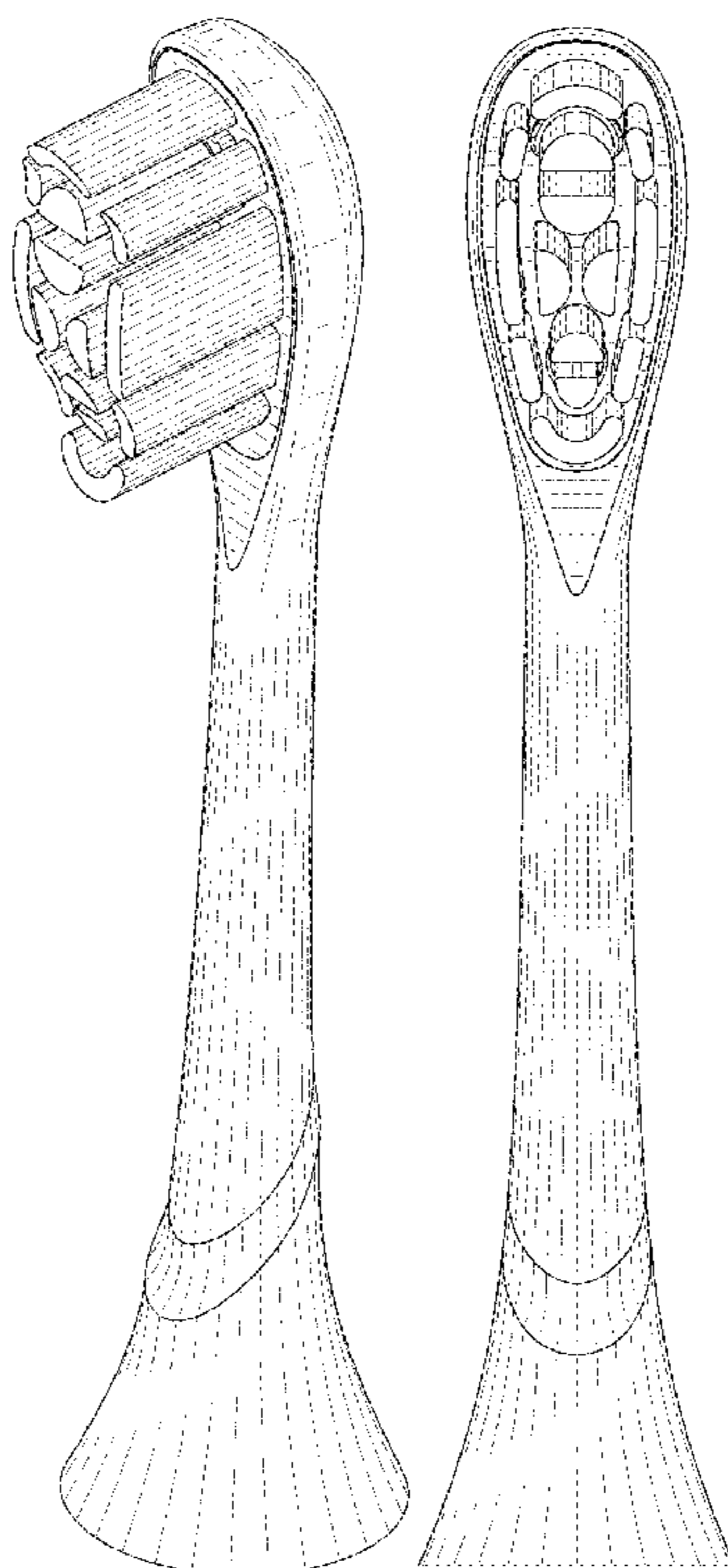
FIG. 1 is a front perspective view of the electric toothbrush head showing my new design;
FIG. 2 is a front elevational view thereof;
FIG. 3 is a rear elevational view thereof;
FIG. 4 is a left side elevational view thereof;
FIG. 5 is a right side elevational view thereof;
FIG. 6 is a top plan view thereof; and,
FIG. 7 is a bottom plan view thereof.
The broken lines depict the portions in FIG. 7 that form no part of the claimed design.

(56) **References Cited**

U.S. PATENT DOCUMENTS

D402,116 S * 12/1998 Magloff D4/104
D402,117 S * 12/1998 Fleming D4/104
D402,118 S * 12/1998 Menke D4/104
D402,471 S * 12/1998 Magloff D4/104
D403,510 S * 1/1999 Menke D4/104
D424,808 S * 5/2000 Beals D4/104
D448,171 S * 9/2001 Harris D4/104
D448,172 S * 9/2001 Harris D4/104

1 Claim, 6 Drawing Sheets



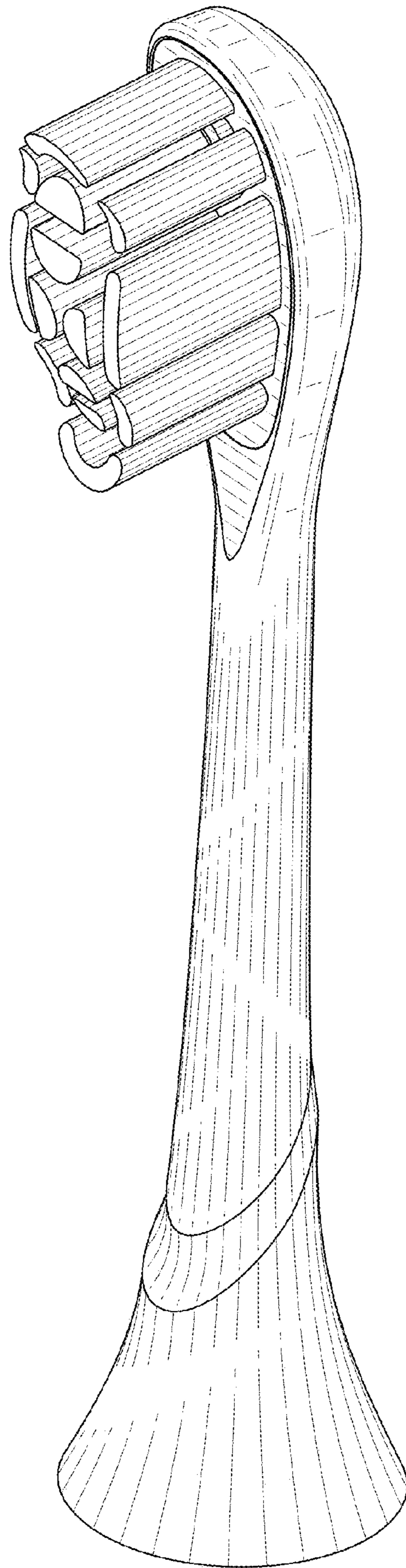


FIG. 1

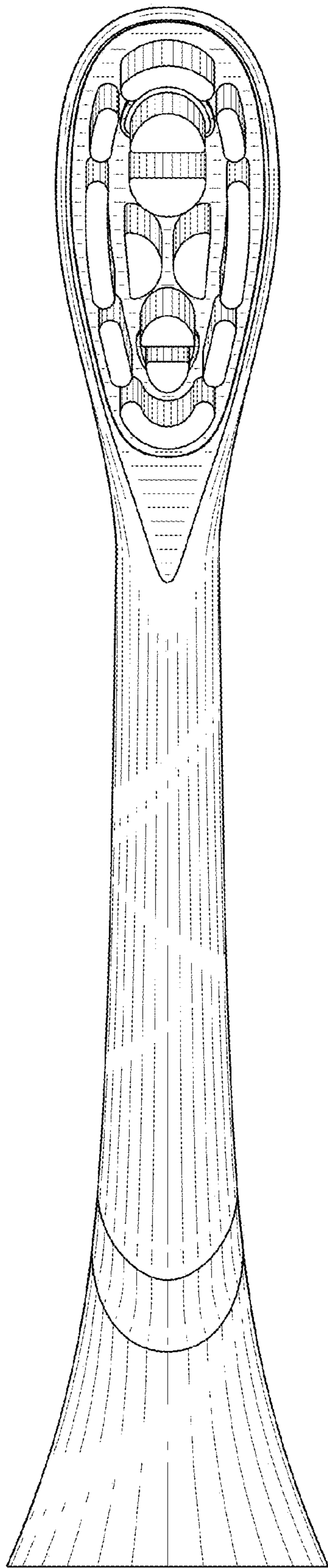


FIG. 2

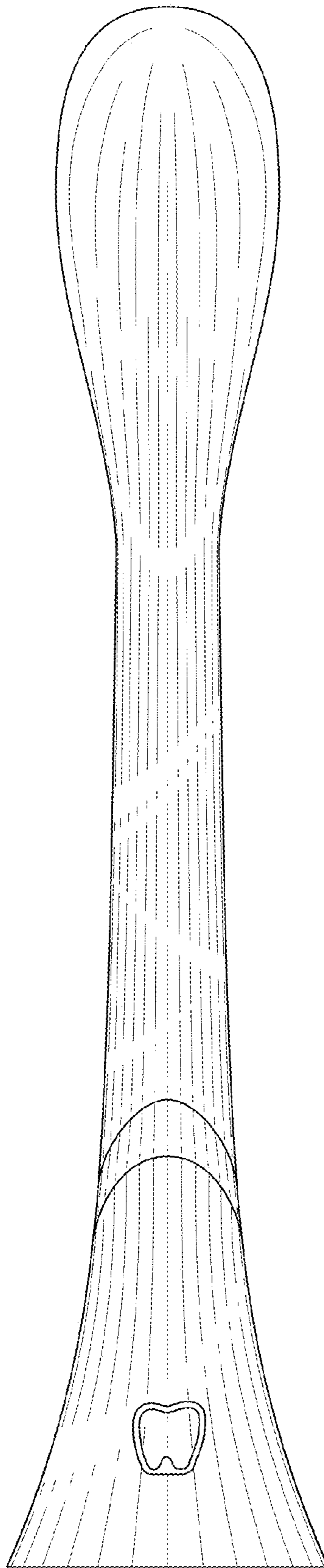


FIG. 3

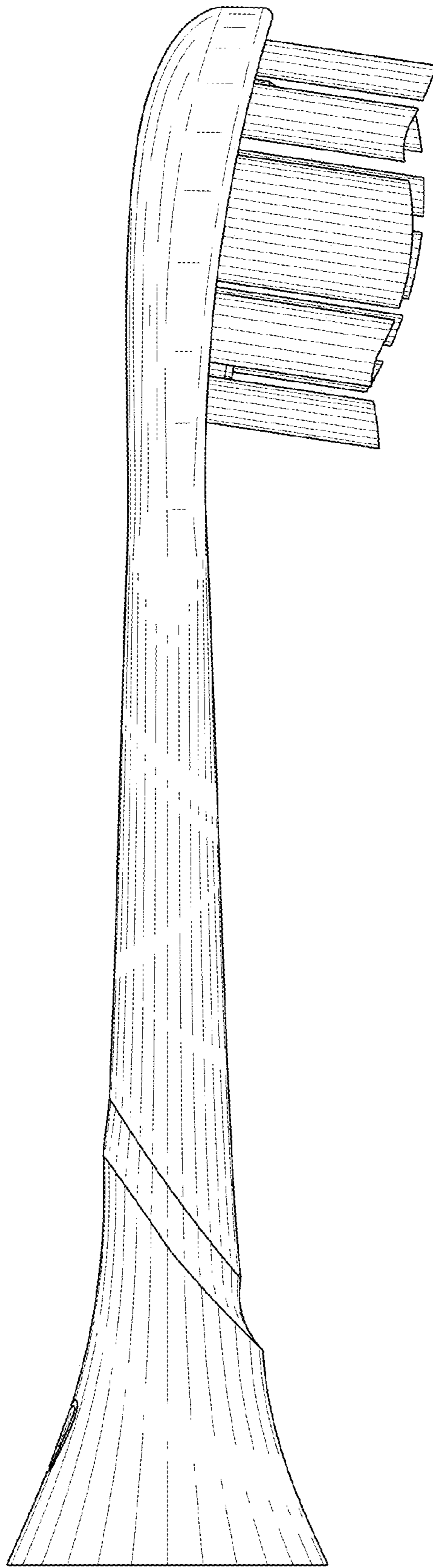


FIG. 4

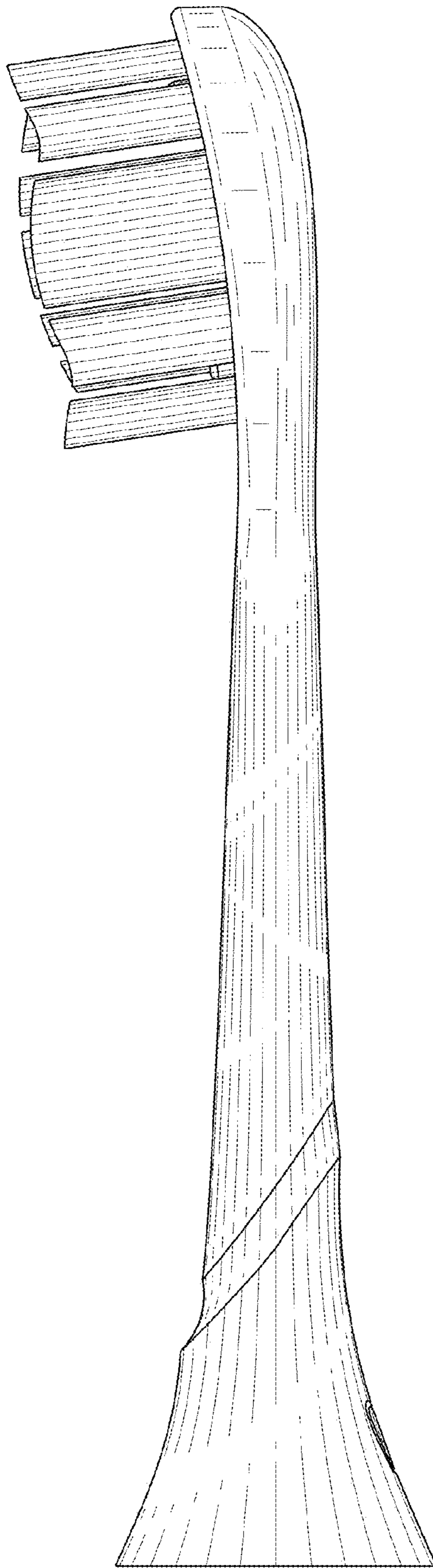


FIG. 5

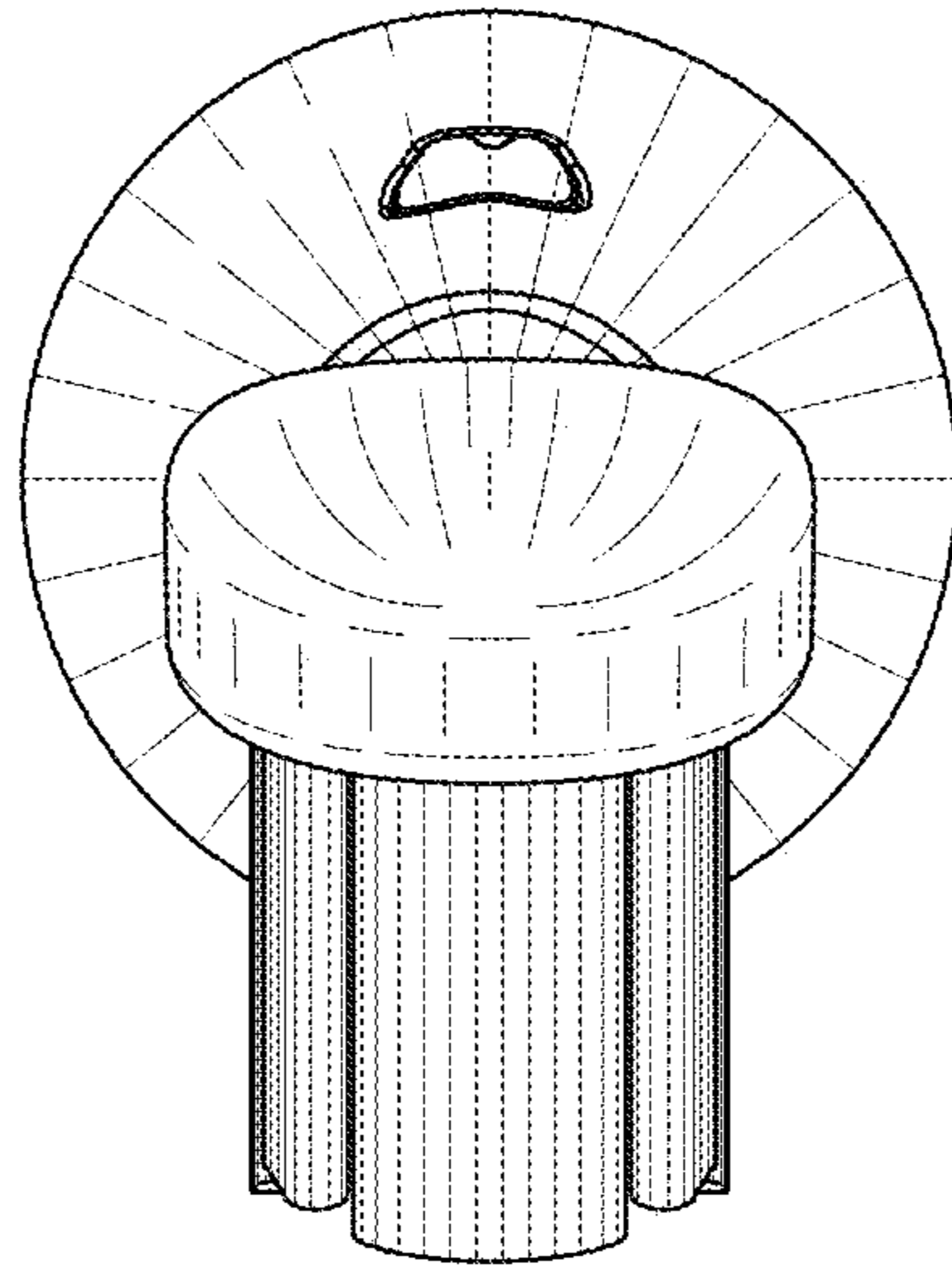


FIG. 6

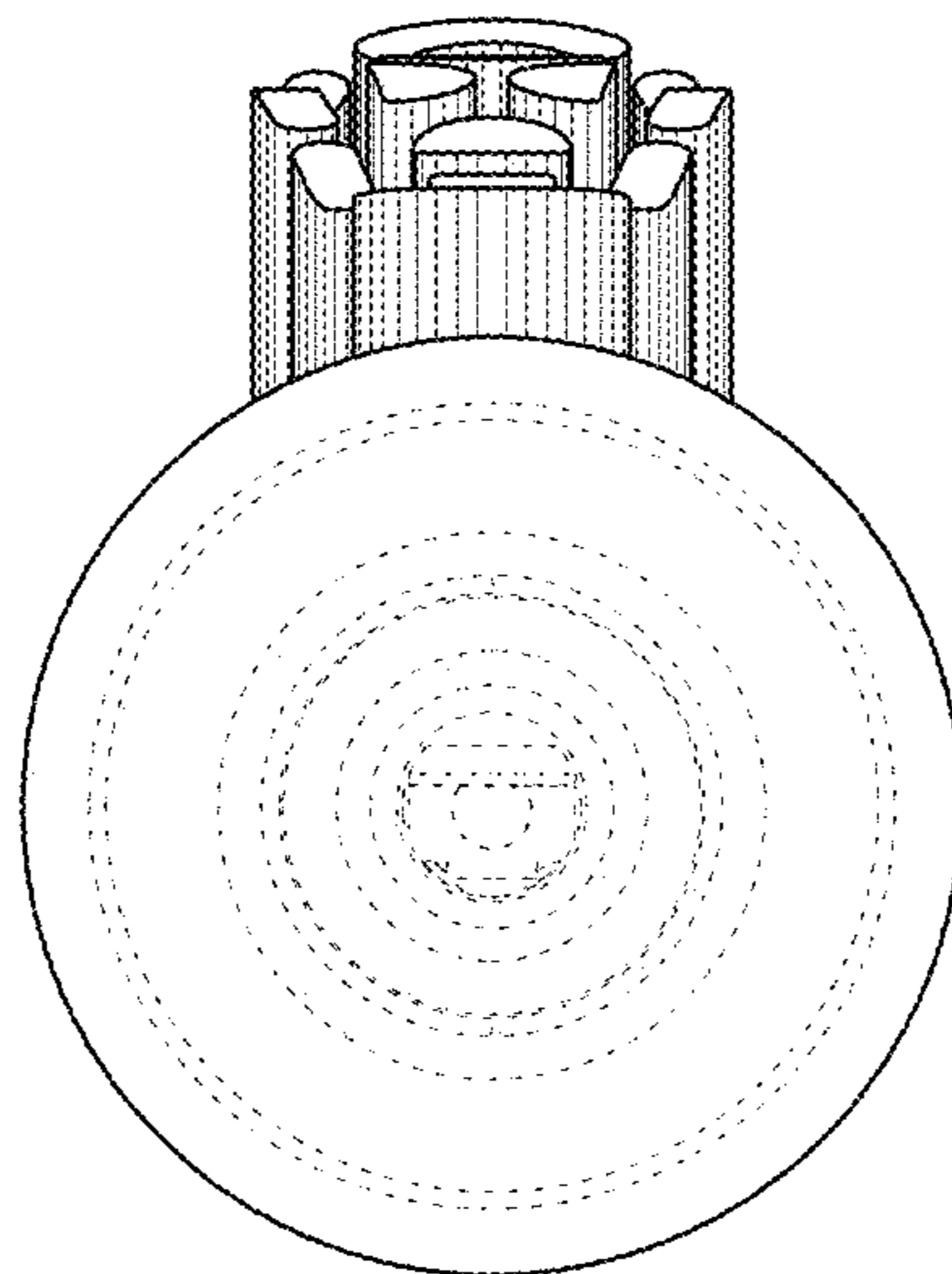


FIG. 7