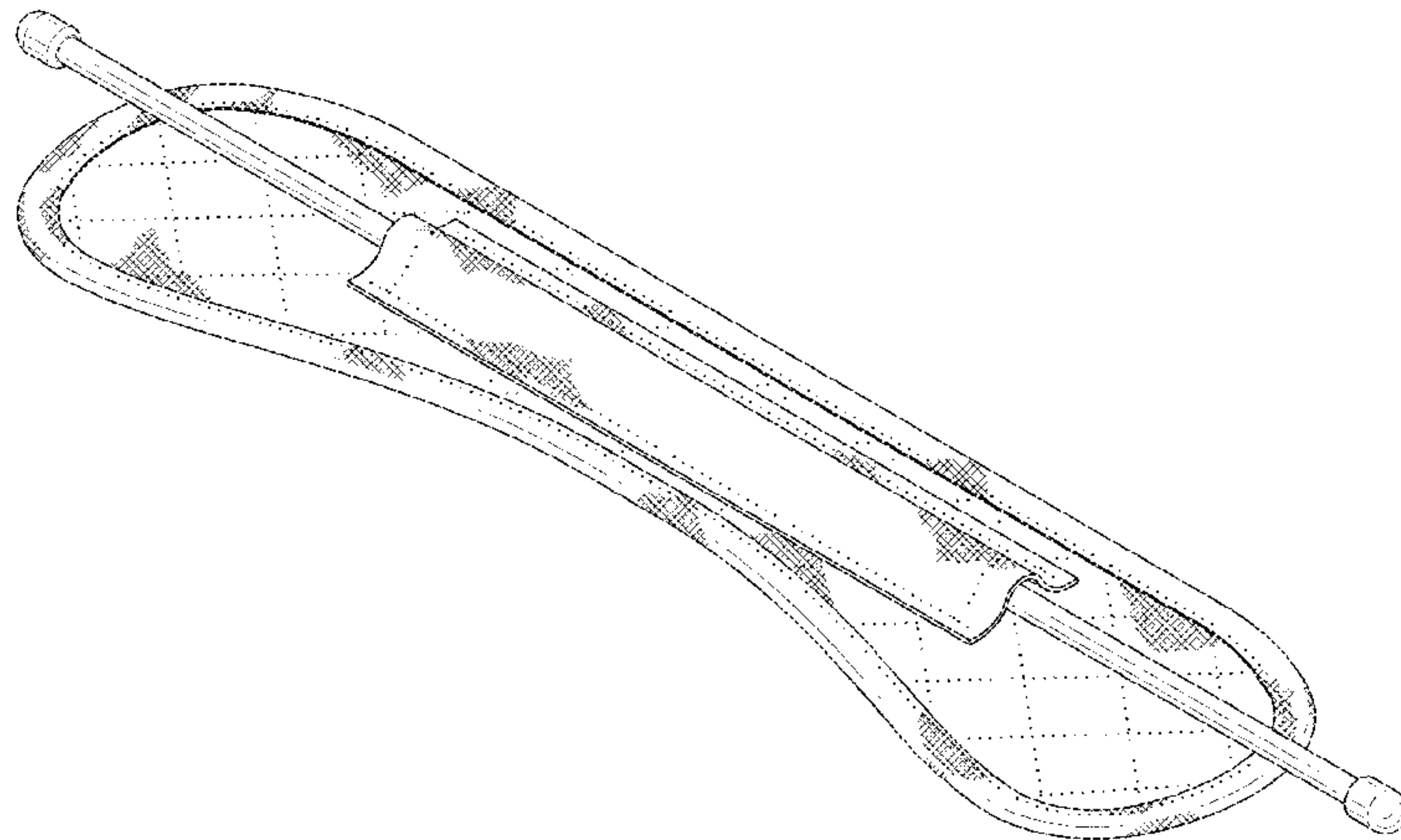




US00D935185S

(12) **United States Design Patent** (10) **Patent No.:** **US D935,185 S**
Ullmann (45) **Date of Patent:** **** Nov. 9, 2021**

- (54) **DEVICE FOR CARRYING SHOULDER BAGS** 2,602,575 A 7/1952 Olson
2,608,326 A * 8/1952 Spector A45F 3/12
224/264
- (71) Applicant: **The Point of Health, Inc.**, New York, NY (US) 2,633,573 A 4/1953 Sanders
2,651,441 A 9/1953 Rau
2,718,988 A 9/1955 Potts
- (72) Inventor: **Kathleen T. Ullmann**, New York, NY (US) 2,808,973 A 10/1957 Gobble
2,986,314 A 5/1961 Miller
3,682,358 A 8/1972 Richey
3,799,413 A 3/1974 McBain
4,091,974 A 5/1978 McClintock
4,280,645 A * 7/1981 Goodden A45F 3/14
224/259
- (73) Assignee: **The Point of Health, Inc.**, New York, NY (US)
- (**) Term: **15 Years** D325,470 S * 4/1992 Harms 224/258
5,370,286 A 12/1994 Newman
5,388,743 A 2/1995 Silagy
5,435,025 A 7/1995 Gerard
- (21) Appl. No.: **29/726,658** D364,806 S * 12/1995 Cole D9/434
D382,093 S * 8/1997 Winfree D2/705
- (22) Filed: **Mar. 4, 2020** 5,667,266 A 9/1997 Giocanti
5,765,735 A 6/1998 Kimchi
5,894,972 A 4/1999 Brown
6,045,019 A 4/2000 Moses
D441,651 S * 5/2001 Nygren D9/434
D457,725 S 5/2002 Parsons
6,446,849 B1 9/2002 Schleifer
6,499,781 B1 12/2002 Flynn
D469,355 S 1/2003 Granadoz
D476,942 S * 7/2003 Duval D12/317
6,647,656 B2 11/2003 Mazzagetti
6,651,941 B1 11/2003 Kinsel
6,652,431 B1 11/2003 Mattox
D503,023 S * 3/2005 Holub D34/28
D508,323 S 8/2005 Douglas
7,004,363 B2 2/2006 Fenton
D528,413 S * 9/2006 Baum D9/434
D528,800 S * 9/2006 Liu D3/327
D553,328 S * 10/2007 King D2/624
7,377,568 B2 5/2008 Moses
7,681,766 B2 * 3/2010 Harrison, III A45F 3/10
224/265
- (51) **LOC (13) Cl.** **03-01**
(52) **U.S. Cl.**
USPC **D3/327**
(58) **Field of Classification Search**
USPC D3/219, 232-233, 254, 262, 315,
D3/318-319, 327-328, 905; D21/662;
D30/136, 137, 139, 141; D12/133;
D9/455
CPC A45F 3/14; A45F 2003/142; A45F
2003/146; A45F 3/12; A45F 5/1026;
A45C 13/30; A45C 13/38
See application file for complete search history.
- (56) **References Cited**
U.S. PATENT DOCUMENTS
- | | | | |
|---------------|---------|-------------|---|
| 211,460 A | 1/1879 | Corn | |
| 460,392 A | 9/1891 | Kalbach | |
| 715,051 A | 12/1902 | Gimmig | |
| 741,098 A | 10/1903 | Bibler | |
| 915,628 A | 3/1909 | Seymore | |
| 966,562 A | 8/1910 | Knoerzer | |
| 1,185,698 A | 6/1916 | Miller | |
| 1,273,201 A | 7/1918 | Teuber | |
| 1,281,822 A | 10/1918 | Orr | |
| 1,298,144 A * | 3/1919 | Yeakel | B65D 25/32
217/125 |
| 1,340,076 A | 5/1920 | Orr | |
| 1,631,694 A | 6/1927 | Rick | |
| 1,727,873 A | 9/1929 | Farmer, Jr. | |
| | | | 8,225,971 B2 7/2012 Stark |
| | | | D674,981 S * 1/2013 Liljedahl D34/28 |
| | | | 9,055,806 B2 * 6/2015 Ferrer Wetter A45F 3/08 |
| | | | 9,585,463 B2 * 3/2017 Lourie A45C 13/30 |
| | | | D837,683 S * 1/2019 Browne D11/200 |
| | | | 10,278,483 B2 5/2019 Moore |
| | | | D889,842 S * 7/2020 Hargraves D3/327 |
| | | | D907,857 S * 1/2021 Nielsen D29/101.1 |
| | | | D909,466 S * 2/2021 Tabor D17/20 |
| | | | 2002/0030073 A1 3/2002 Duval |
| | | | 2004/0084490 A1 5/2004 Caputi |



2006/0022476	A1*	2/2006	Caputi	A45C 13/30 294/153
2007/0007314	A1*	1/2007	Lin	A45F 3/12 224/264
2007/0039983	A1	2/2007	Harrison	
2008/0006661	A1	1/2008	Godshaw	
2009/0032559	A1	2/2009	Fragale	
2009/0033110	A1	2/2009	Fragale	
2010/0314425	A1	12/2010	Oldfield	
2011/0049203	A1	3/2011	Stark	
2015/0201738	A1	7/2015	Lourie	
2020/0397124	A1*	12/2020	Ullmann	A45F 3/14

FOREIGN PATENT DOCUMENTS

GB 2334669 1/1999

OTHER PUBLICATIONS

“Model demonstrating how to use It’s No Yoke”, first available Jul. 12, 2021, youtube.com, site visited Aug. 11, 2021: <https://www.youtube.com/watch?v=A9HGowgC9PM&list=TLGGFIOJJGqgT8UwOTA4MjAyMQ&t=4s> (Year: 2021).
ISR and Written Opinion by ISA/US for PCT/US2020/018688.
Notice of Allowance dated Mar. 25, 2021 for U.S. Appl. No. 16/762,850 (pp. 1-8).
Corrected Notice of Allowability dated Apr. 12, 2021 for U.S. Appl. No. 16/762,850 (pp. 1-8).
Office Action dated Nov. 30, 2020 for U.S. Appl. No. 16/762,850 (pp. 1-17).

* cited by examiner

Primary Examiner — Jennifer L Watkins
Assistant Examiner — Samantha Lynne Brodowski
(74) *Attorney, Agent, or Firm* — Koffsky Schwalb LLC;
Mark I. Koffsky

(57) CLAIM

I claim the ornamental design for a device for carrying shoulder bags, as shown and described.

DESCRIPTION

FIG. 1 is a front perspective view of a first embodiment of a device for carrying shoulder bags in a state with a pole inserted thereto;
FIG. 2 is a front view thereof;
FIG. 3 is a rear view thereof;
FIG. 4 is a left view thereof;
FIG. 5 is a right view thereof;
FIG. 6 is a top view thereof; and
FIG. 7 is a bottom view thereof.
FIG. 8 is a front perspective view thereof with the pole removed from view;
FIG. 9 is a front view thereof;
FIG. 10 is a rear view thereof;
FIG. 11 is a left view thereof;
FIG. 12 is a right view thereof;
FIG. 13 is a top view thereof; and
FIG. 14 is a bottom view thereof.

FIG. 15 is a front perspective view of a second embodiment of a device for carrying shoulder bags in a state with a pole inserted thereto and having a symbolic break in the length;
FIG. 16 is a front view thereof;
FIG. 17 is a rear view thereof;
FIG. 18 is a left view thereof;
FIG. 19 is a right view thereof;
FIG. 20 is a top view thereof; and
FIG. 21 is a bottom view thereof.
FIG. 22 is a front perspective view thereof with the pole removed from view;
FIG. 23 is a front view thereof;
FIG. 24 is a rear view thereof;
FIG. 25 is a left view thereof;
FIG. 26 is a right view thereof;
FIG. 27 is a top view thereof; and
FIG. 28 is a bottom view thereof.
FIG. 29 is a front perspective view of a third embodiment of a device for carrying shoulder bags in a state with a pole inserted thereto;
FIG. 30 is a front view thereof;
FIG. 31 is a rear view thereof;
FIG. 32 is a left view thereof;
FIG. 33 is a right view thereof;
FIG. 34 is a top view thereof; and
FIG. 35 is a bottom view thereof.
FIG. 36 is a front perspective view thereof with the pole removed from view;
FIG. 37 is a front view thereof;
FIG. 38 is a rear view thereof;
FIG. 39 is a left view thereof;
FIG. 40 is a right view thereof;
FIG. 41 is a top view thereof; and
FIG. 42 is a bottom view thereof.
FIG. 43 is a front perspective view of a fourth embodiment of a device for carrying shoulder bags in a state with a pole inserted thereto and having a symbolic break in the length;
FIG. 44 is a front view thereof;
FIG. 45 is a rear view thereof;
FIG. 46 is a left view thereof;
FIG. 47 is a right view thereof;
FIG. 48 is a top view thereof; and
FIG. 49 is a bottom view thereof.
FIG. 50 is a front perspective view thereof with the pole removed from view;
FIG. 51 is a front view thereof;
FIG. 52 is a rear view thereof;
FIG. 53 is a left view thereof;
FIG. 54 is a right view thereof;
FIG. 55 is a top view thereof; and,
FIG. 56 is a bottom view thereof.
FIGS. 15-28 and FIGS. 43-56 show the device with a symbolic break in its length using broken dashed lines. The break lines and the appearance of any portion of the device between the break lines form no part of the claimed design. The dotted broken lines on claimed surfaces in FIGS. 1-28 depict stitching and form a part of the claimed design. The dashed broken lines on claimed surfaces in FIGS. 29-56 depict stitching and form no part of the claimed design.

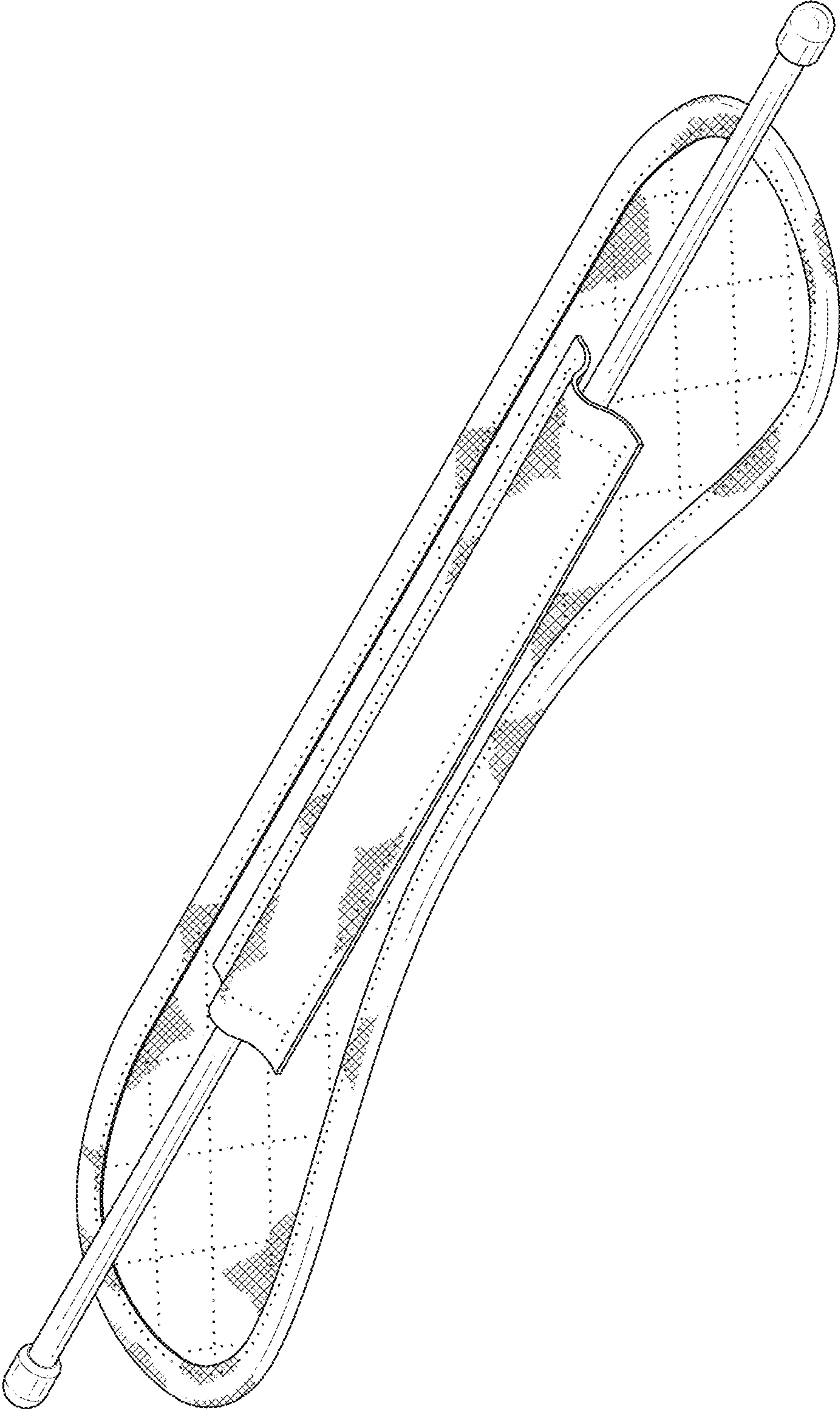


FIG.1

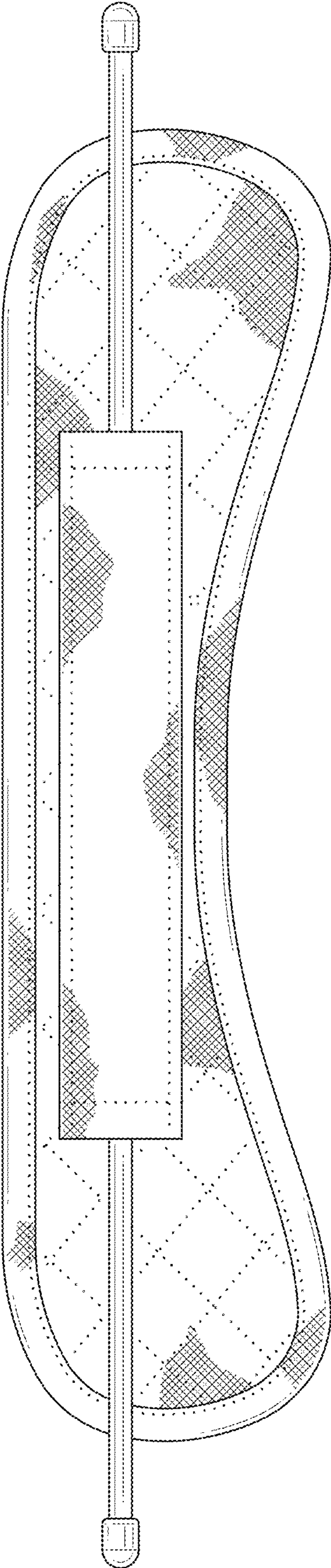


FIG. 2

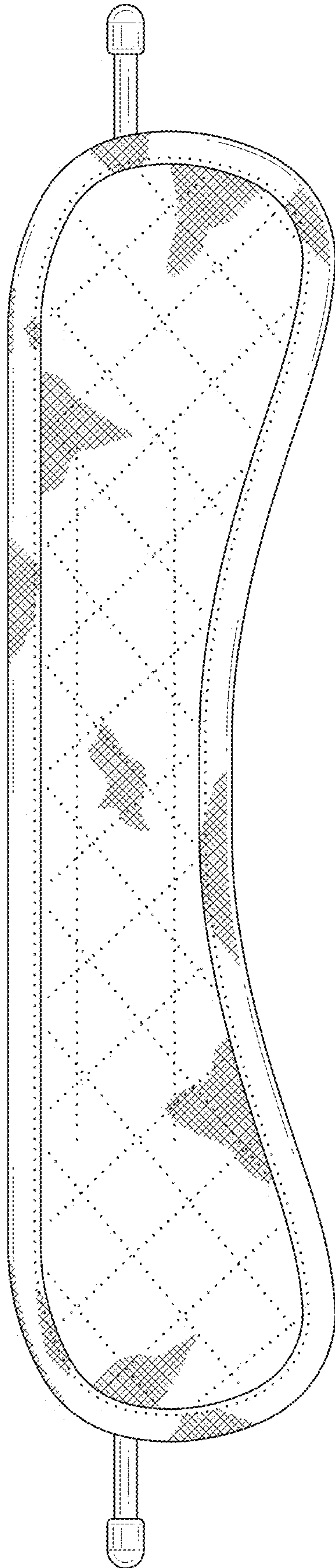


FIG. 3

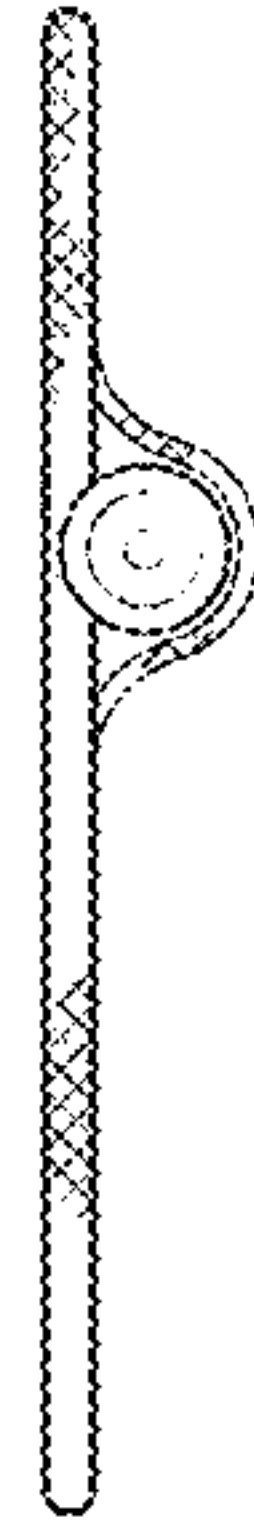


FIG. 4



FIG. 5

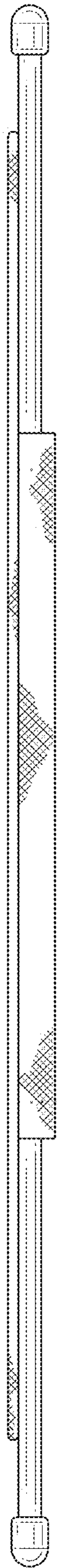


FIG. 6

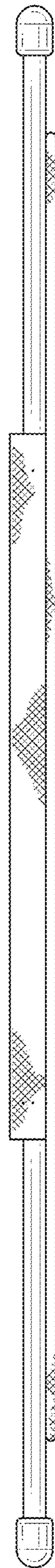


FIG. 7

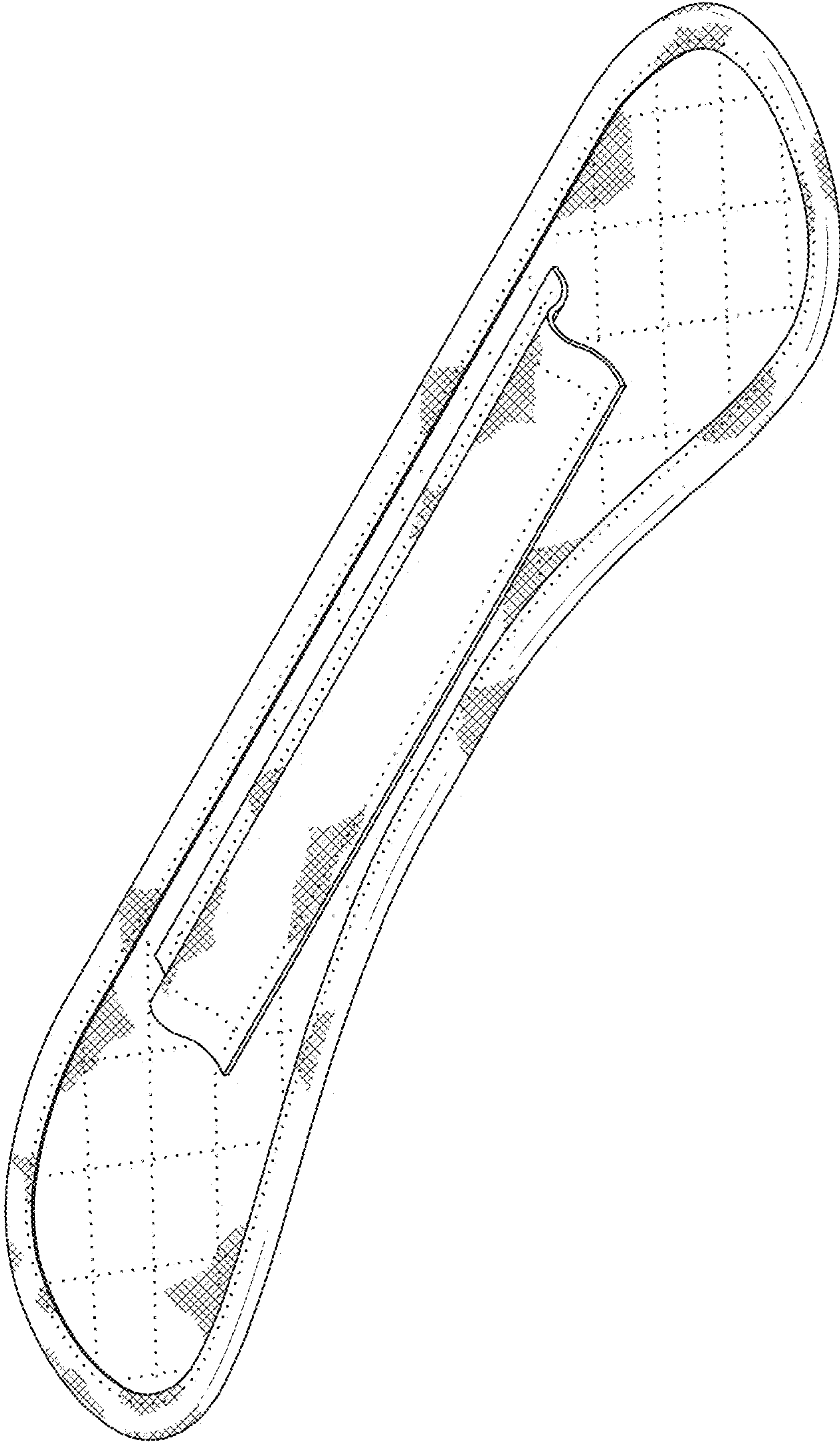


FIG. 8

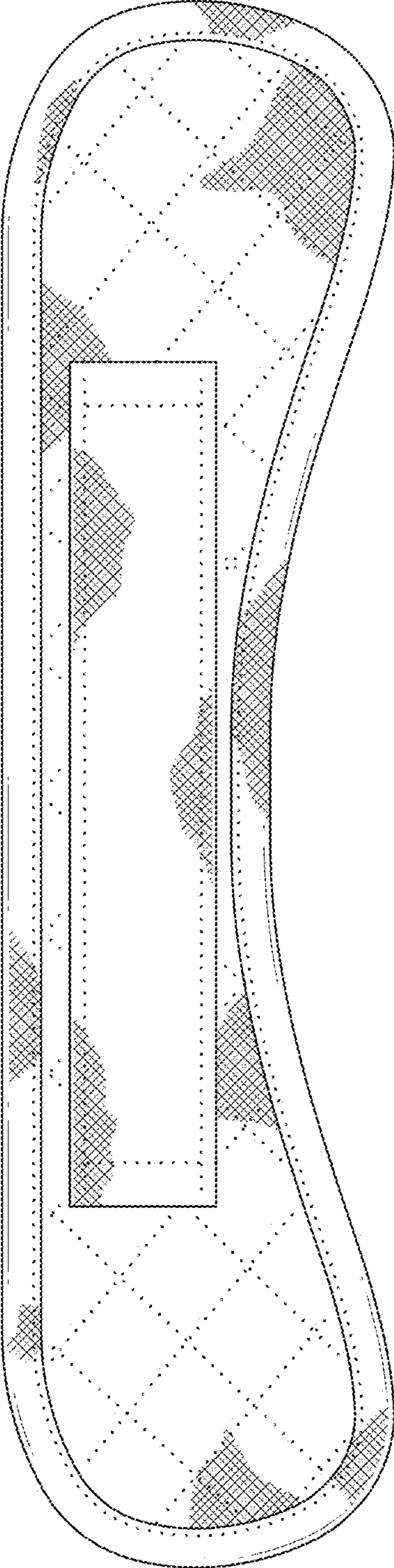


FIG. 9

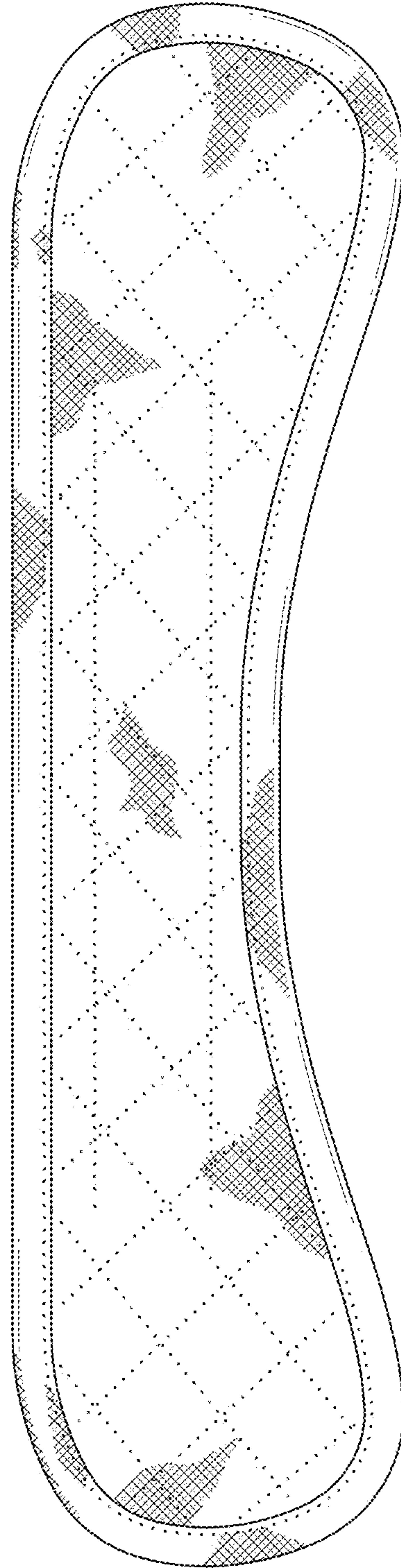


FIG. 10

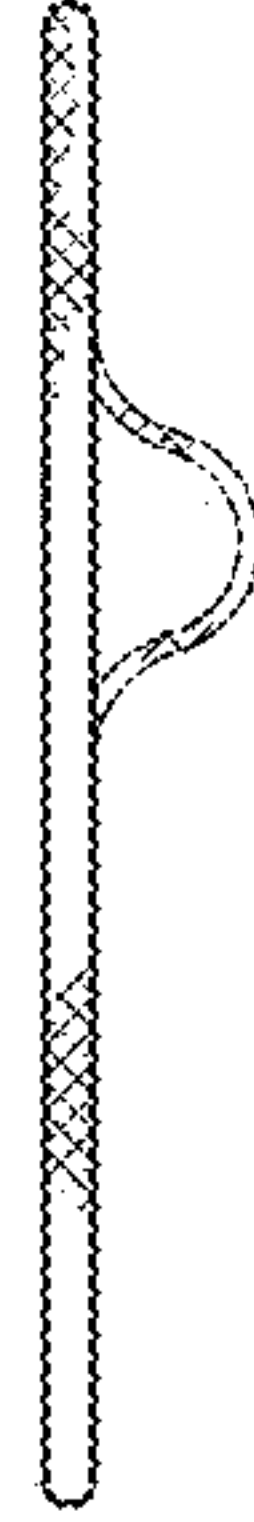


FIG. 11

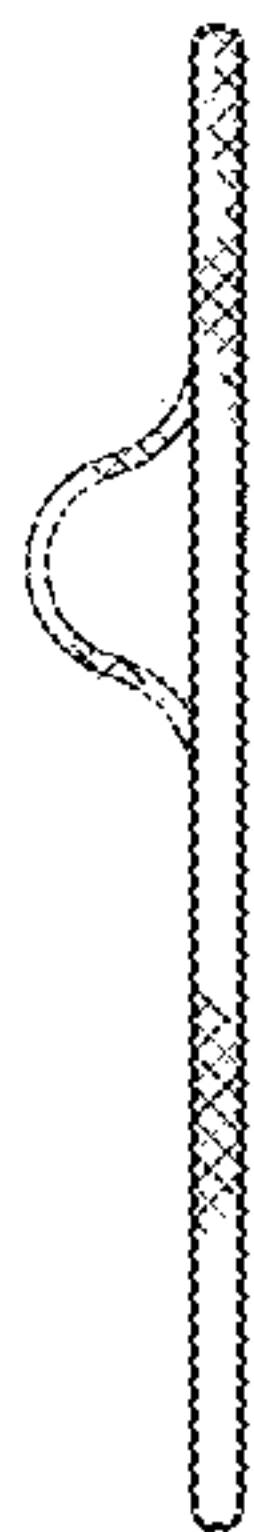


FIG. 12

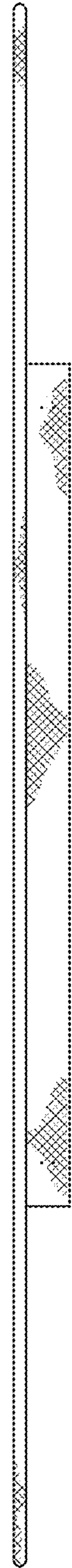


FIG. 13



FIG.14

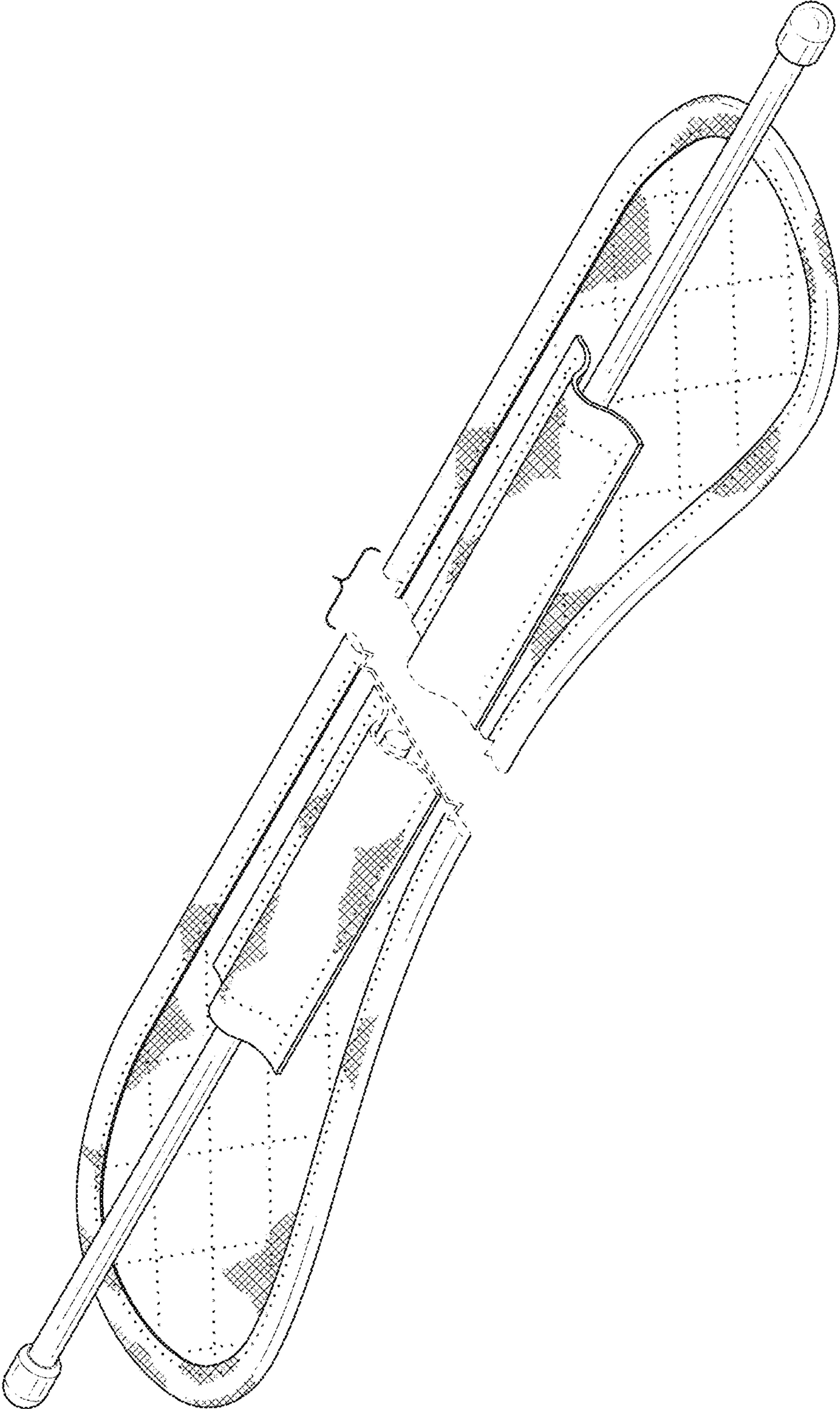


FIG.15

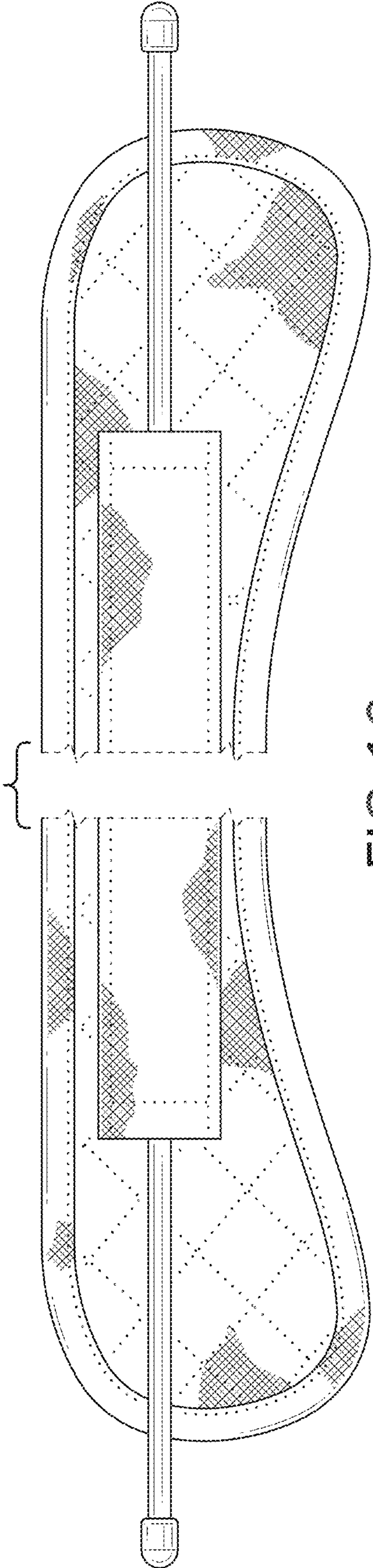


FIG.16

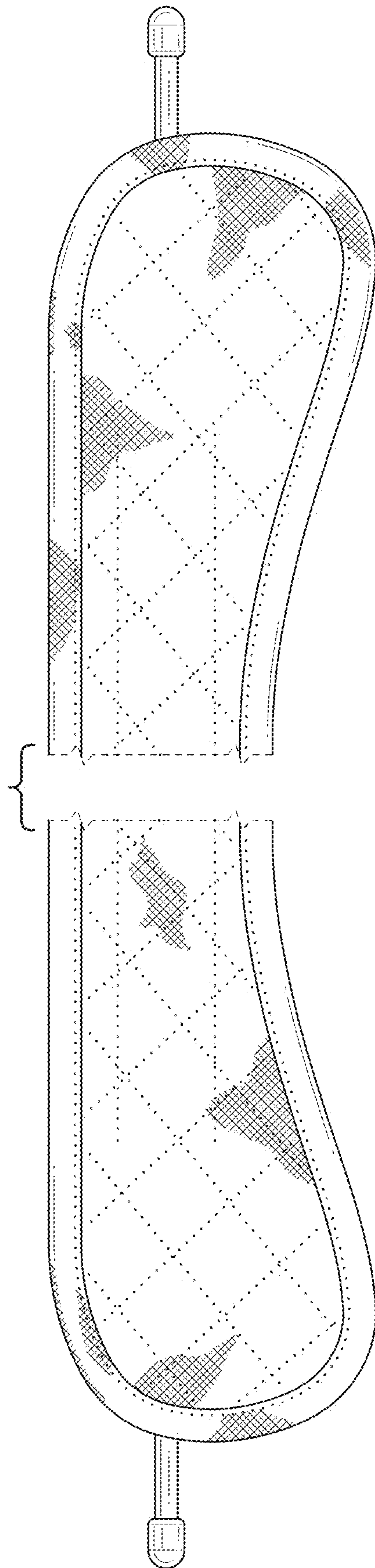


FIG.17

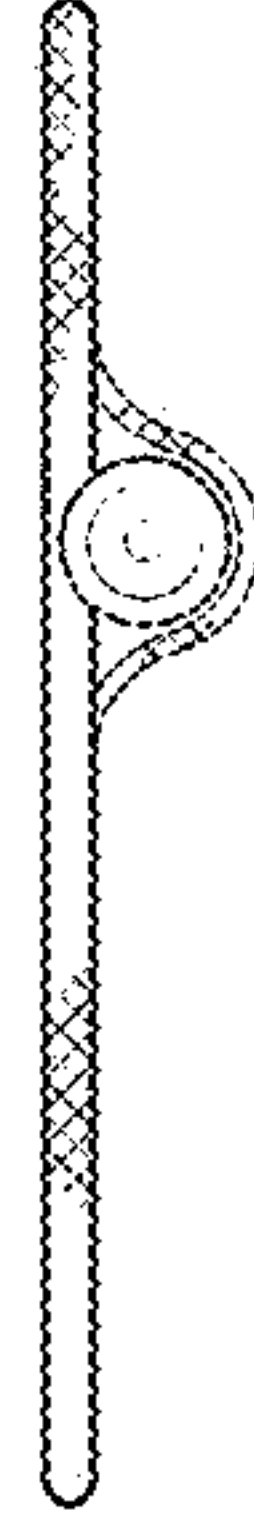


FIG. 18



FIG. 19



FIG. 20

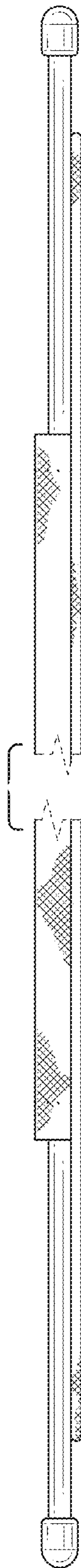


FIG. 21

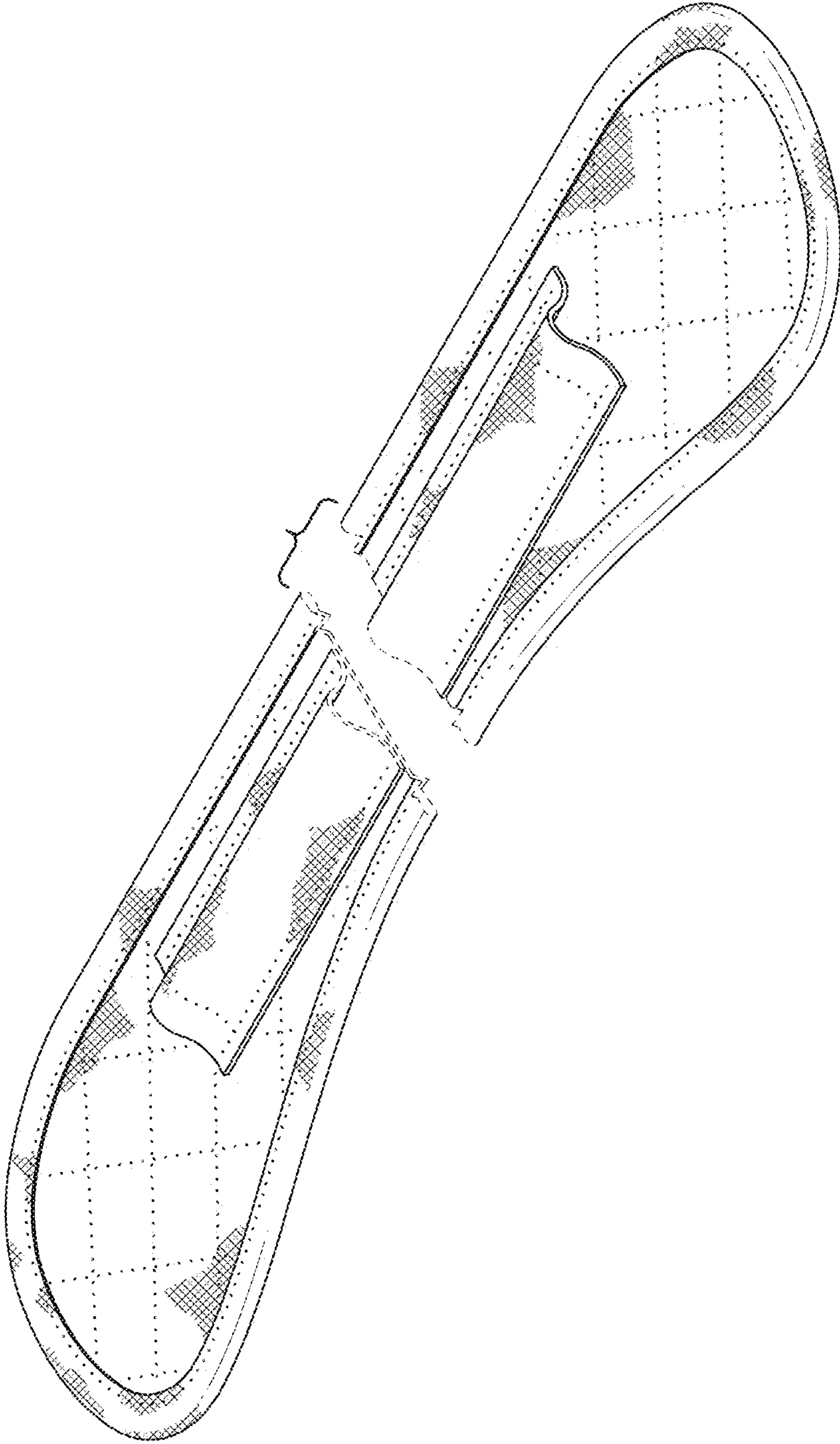


FIG. 22

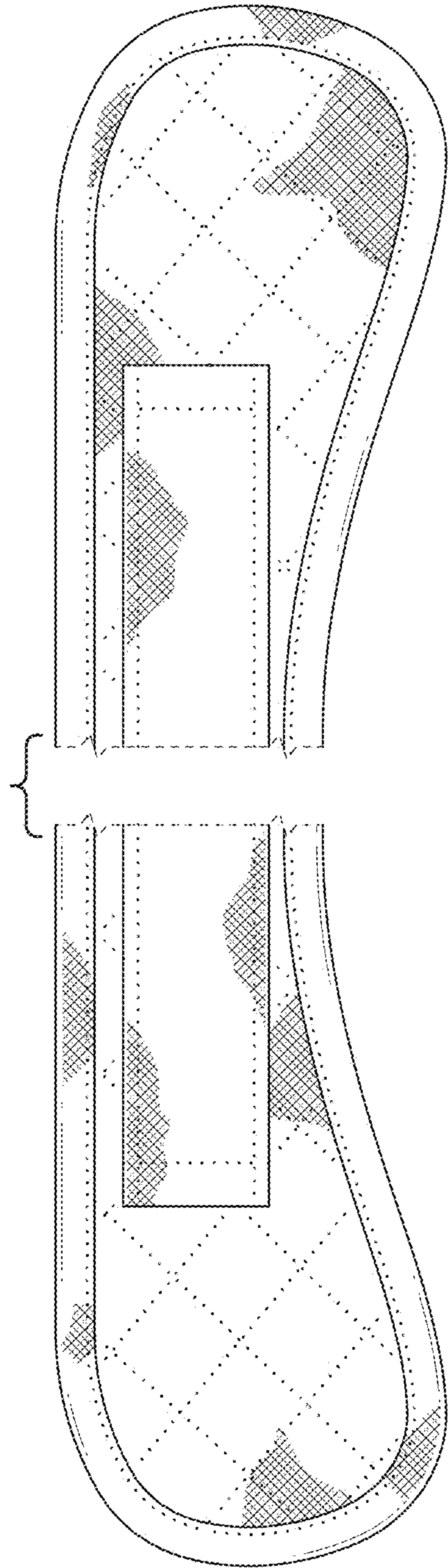


FIG. 23

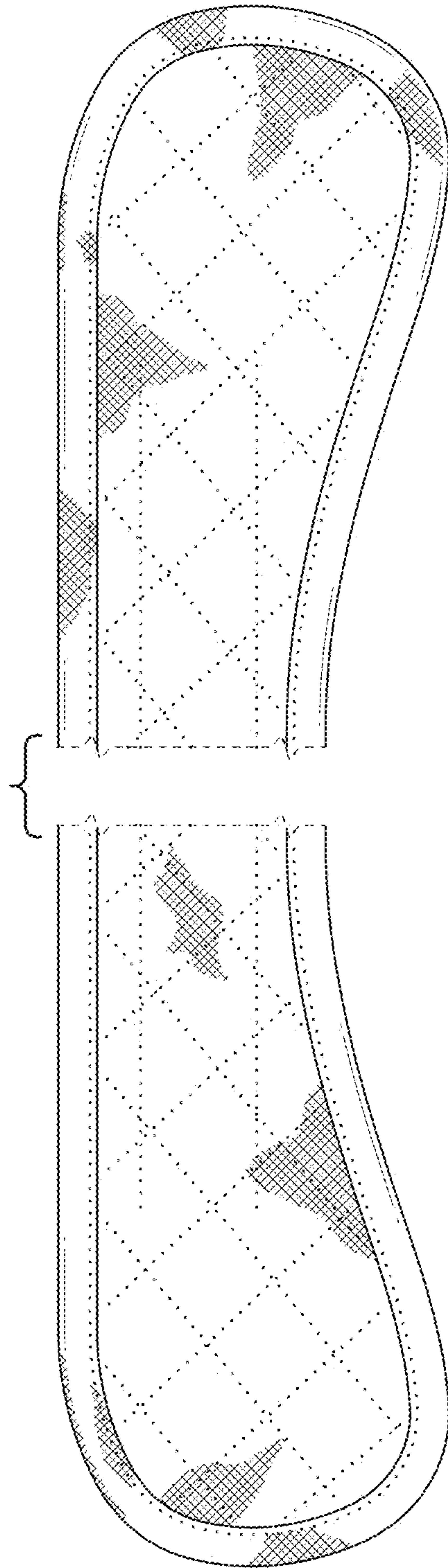


FIG. 24

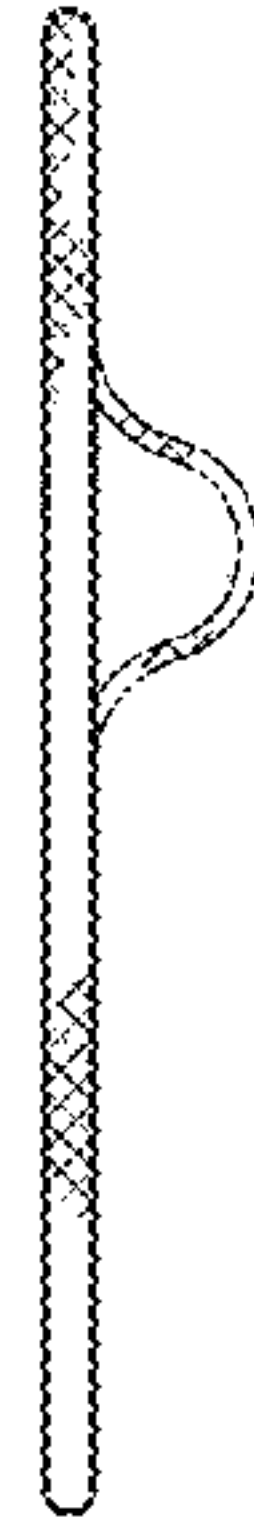


FIG. 25

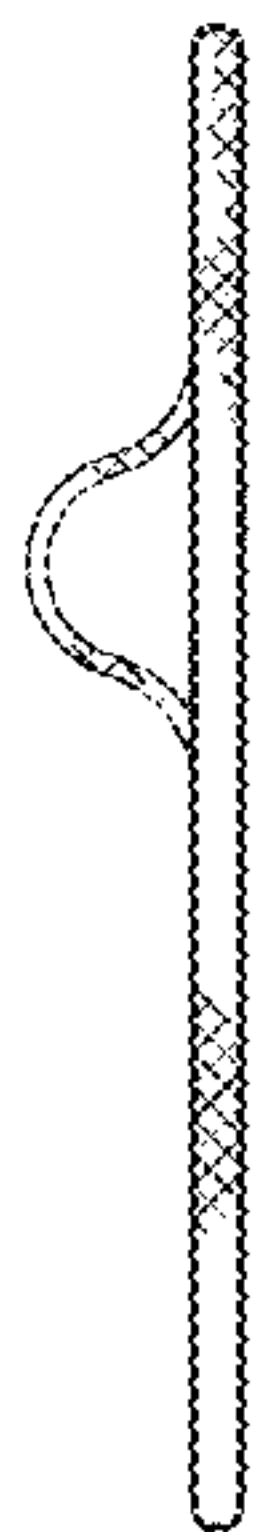


FIG. 26

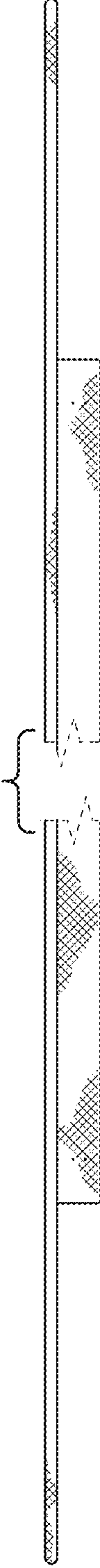


FIG. 27



FIG. 28

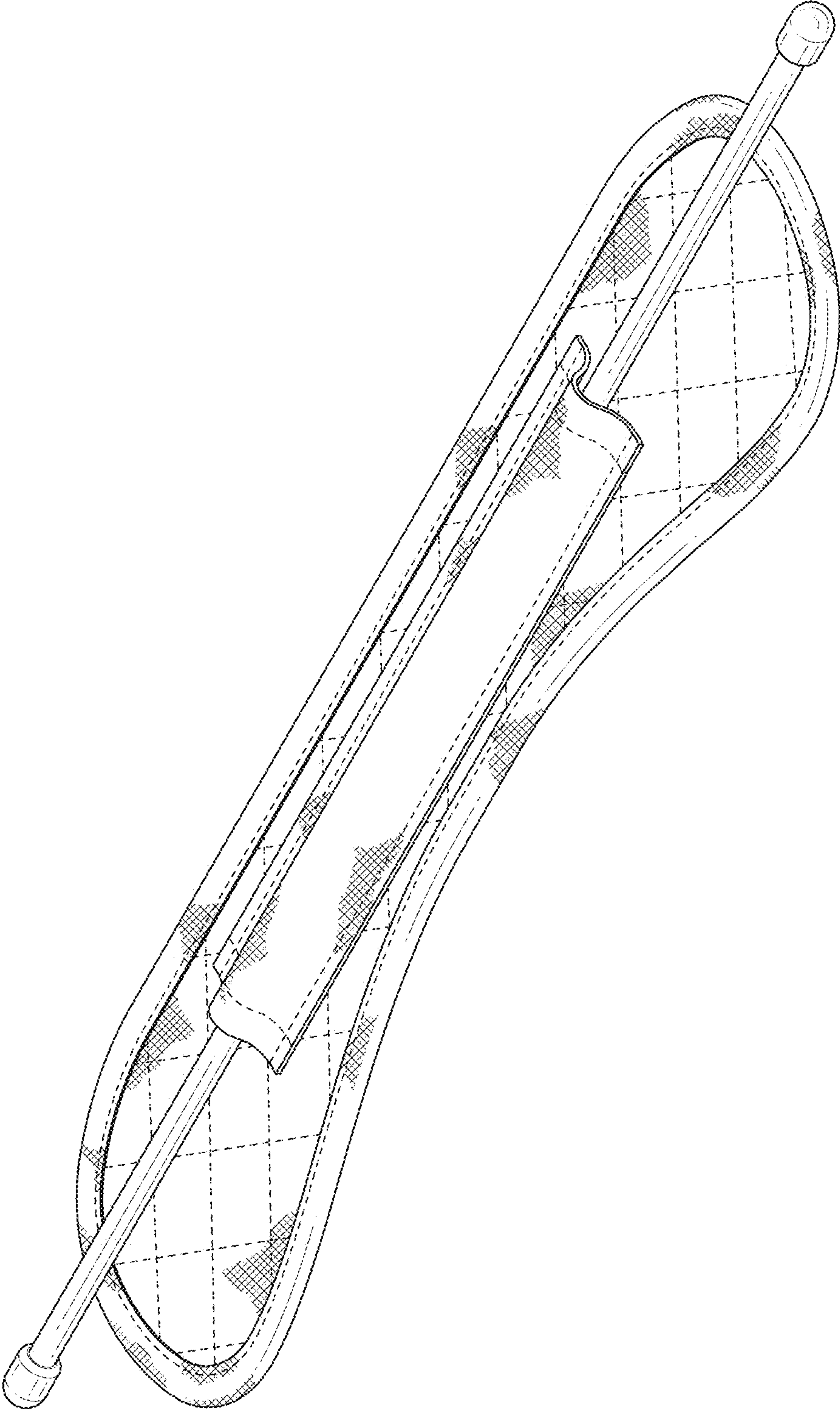


FIG. 29

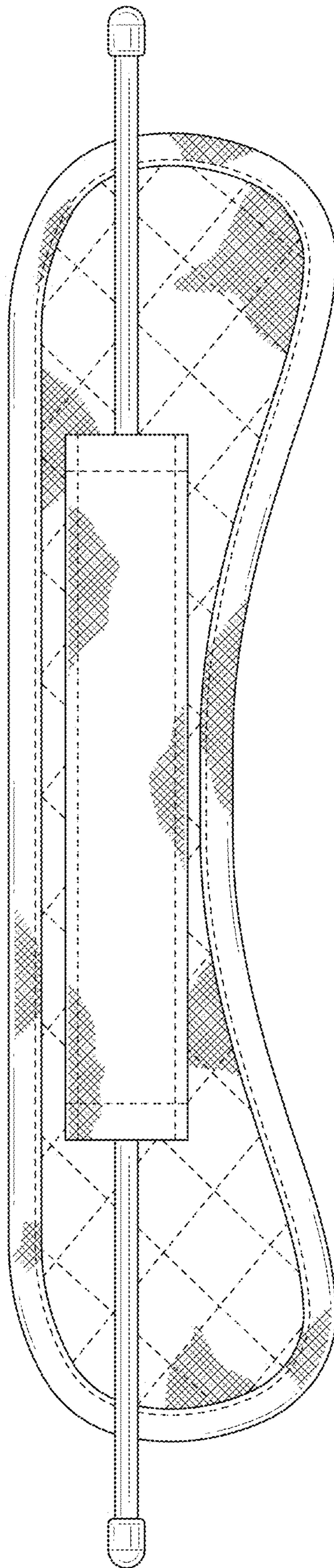


FIG. 30

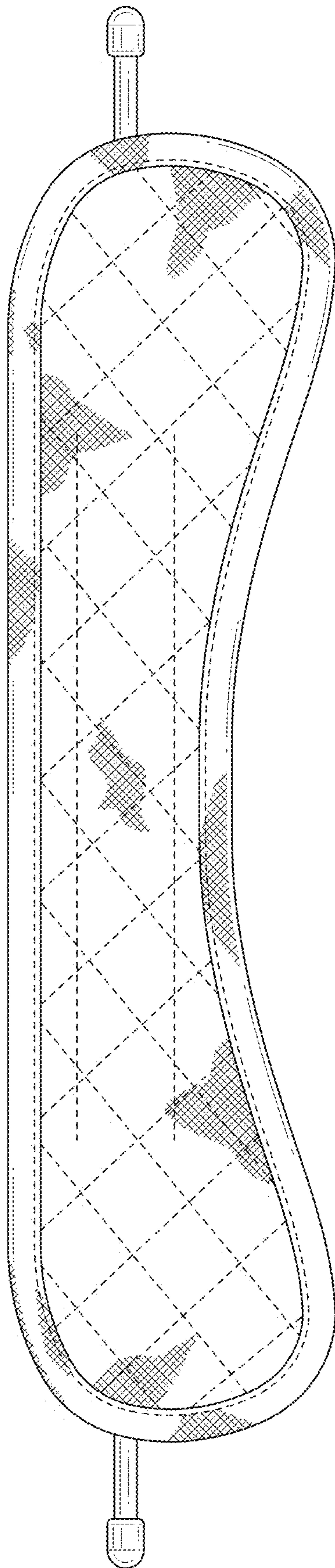


FIG. 31

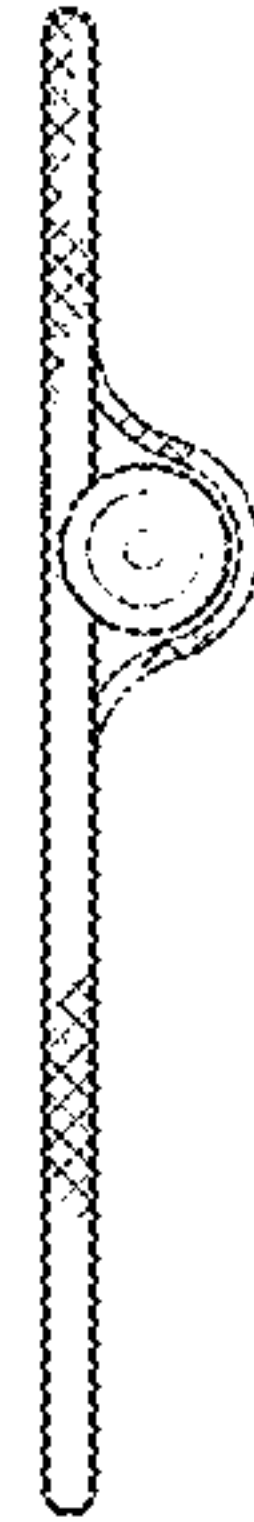


FIG. 32



FIG. 33



FIG. 34

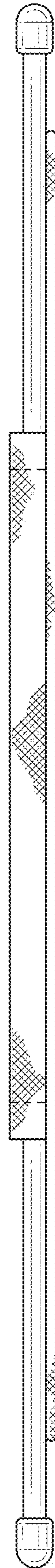


FIG. 35

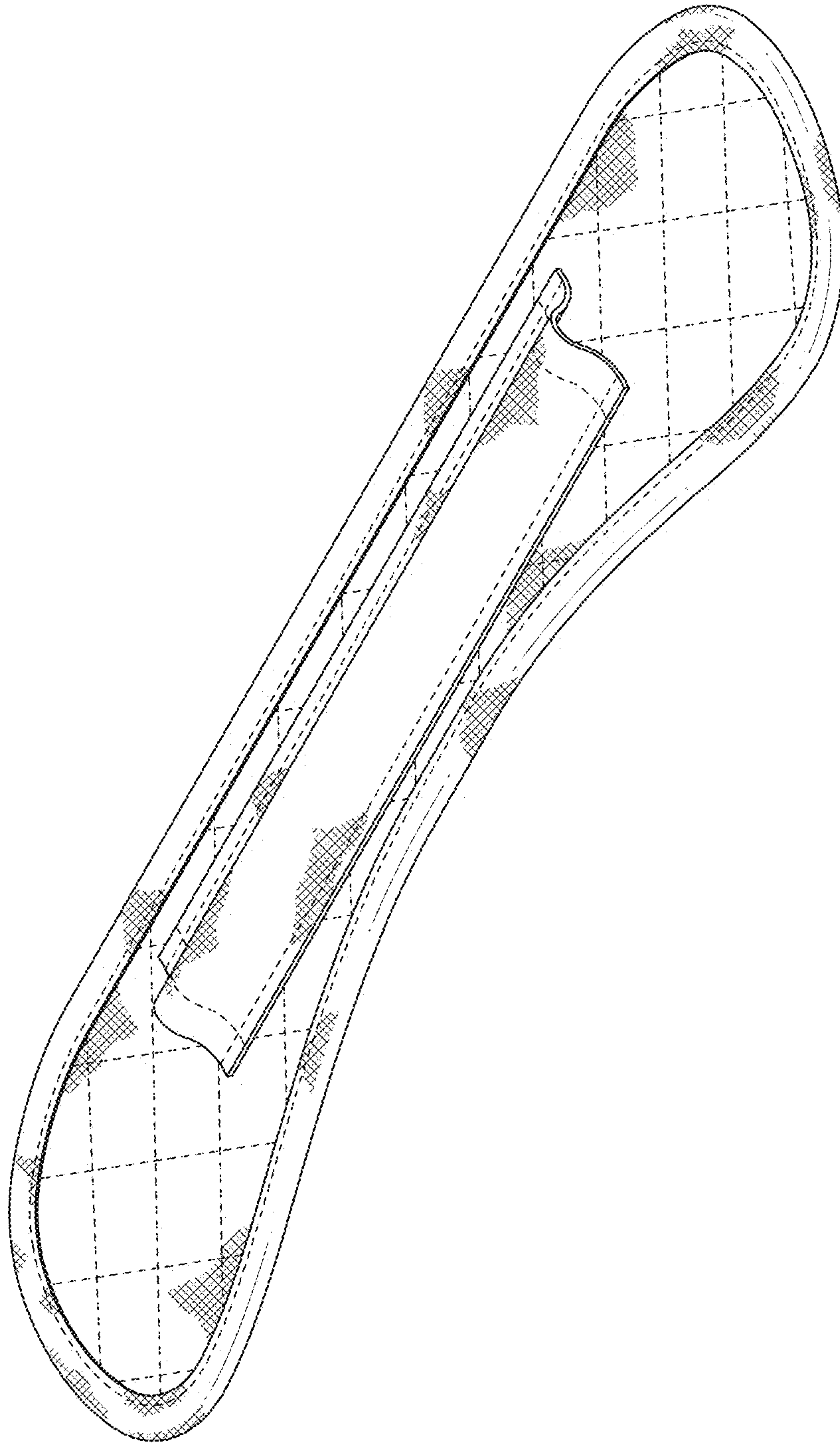


FIG. 36

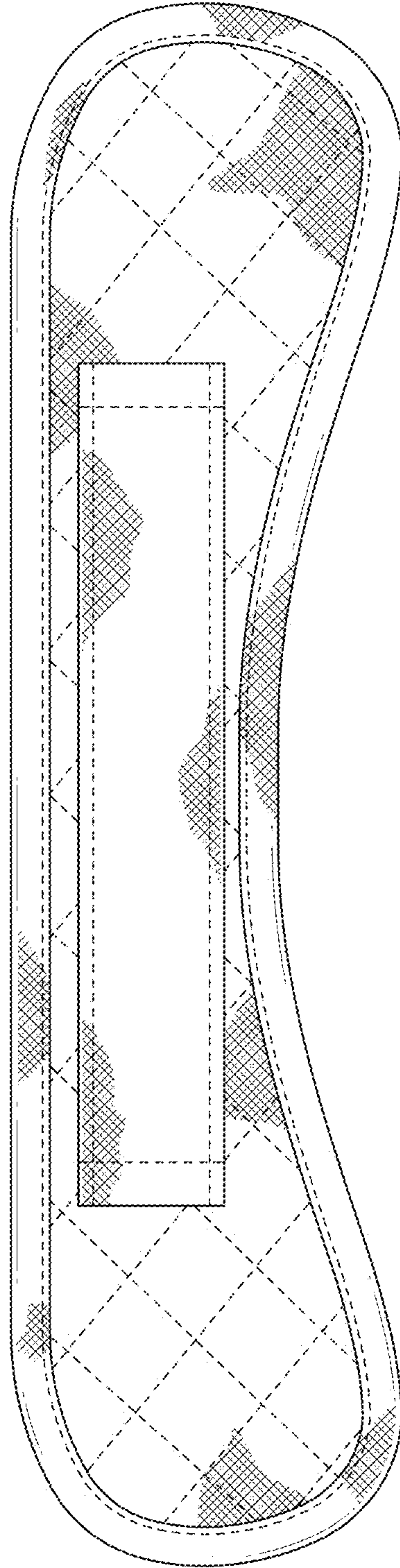


FIG. 37

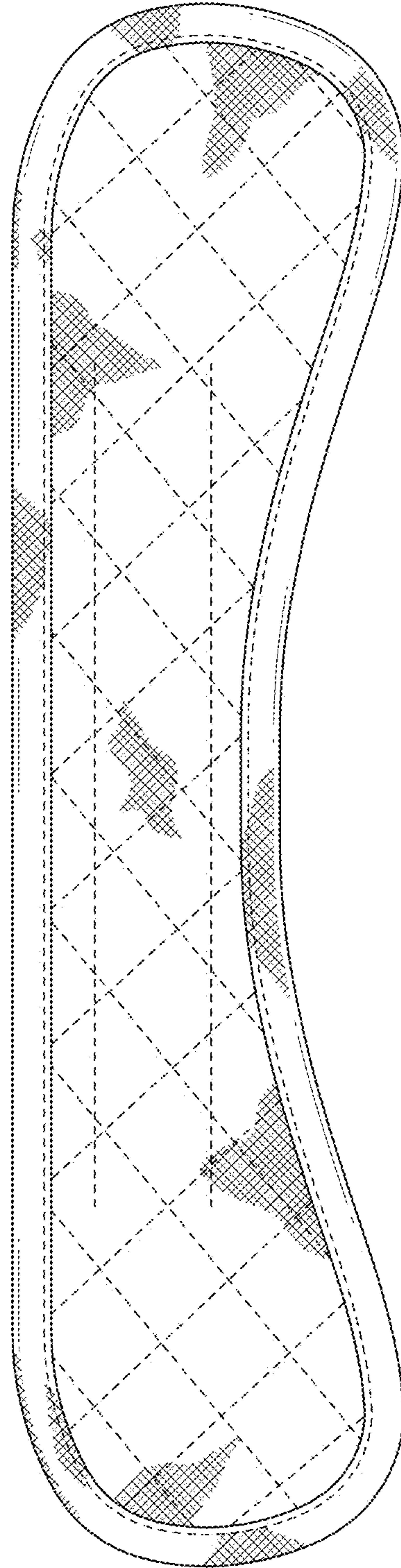


FIG. 38

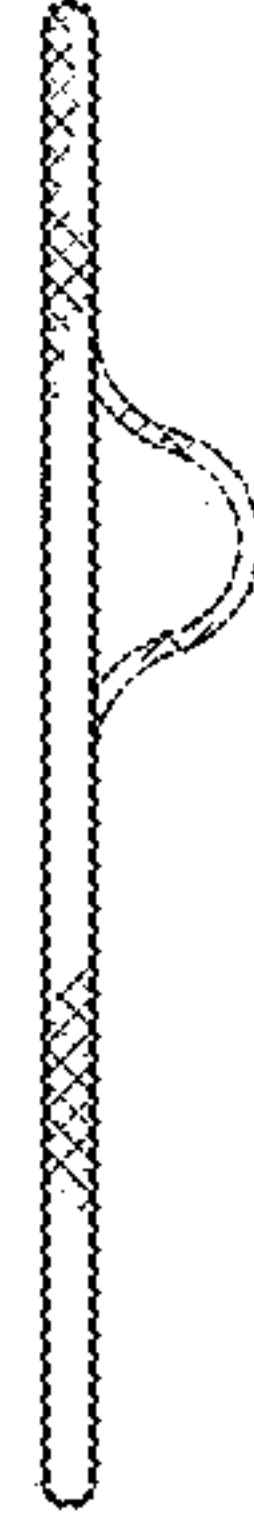


FIG. 39

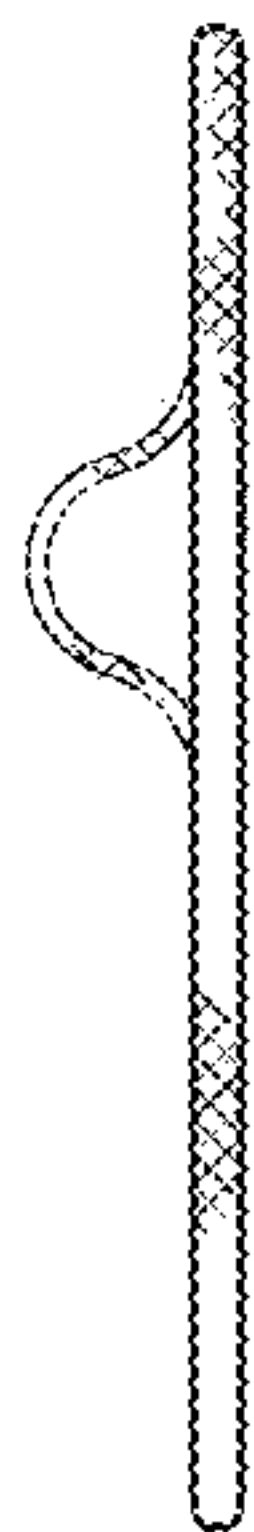


FIG. 40

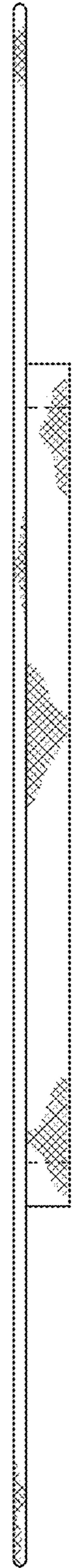


FIG. 41



FIG. 42

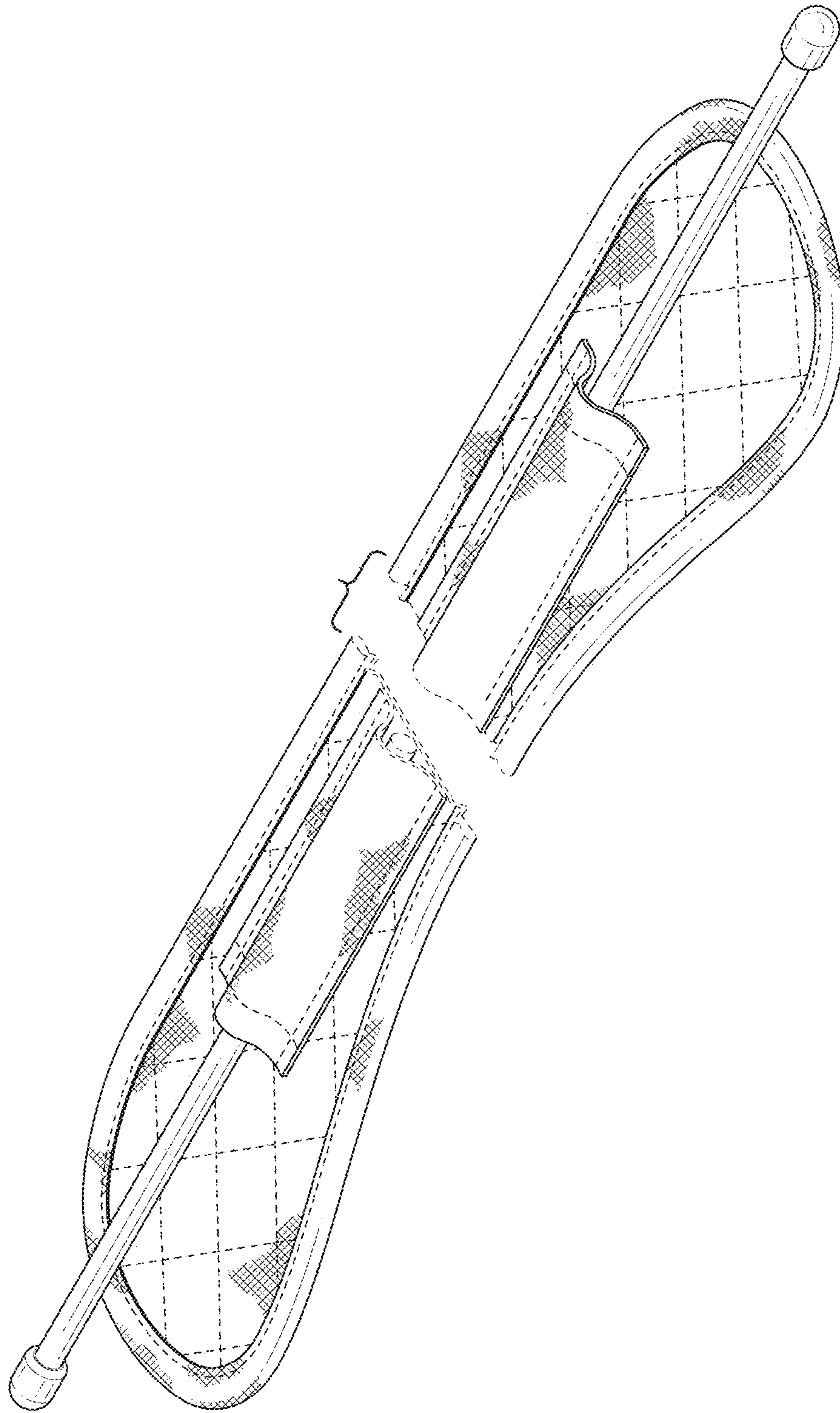


FIG. 43

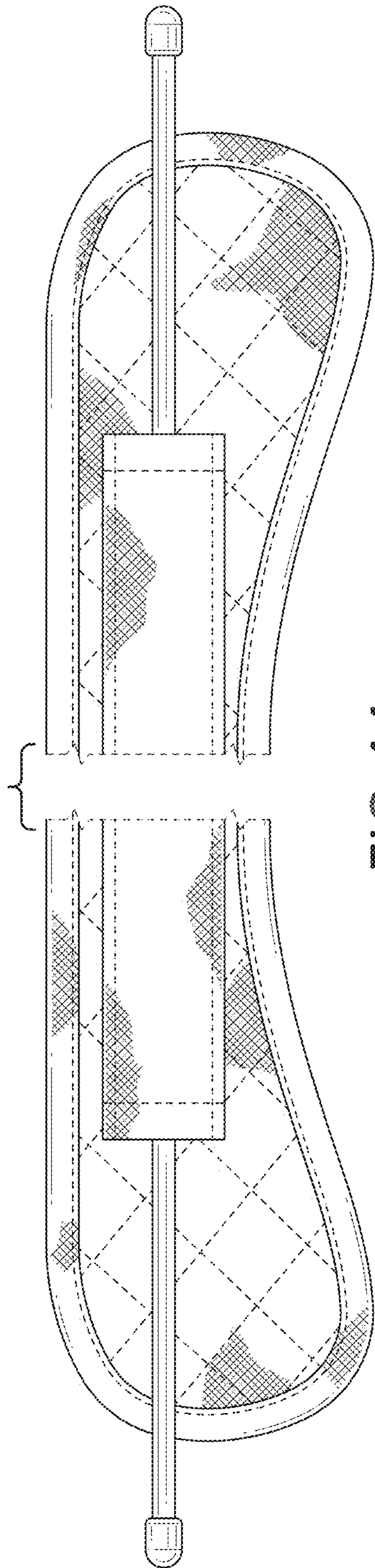


FIG. 44

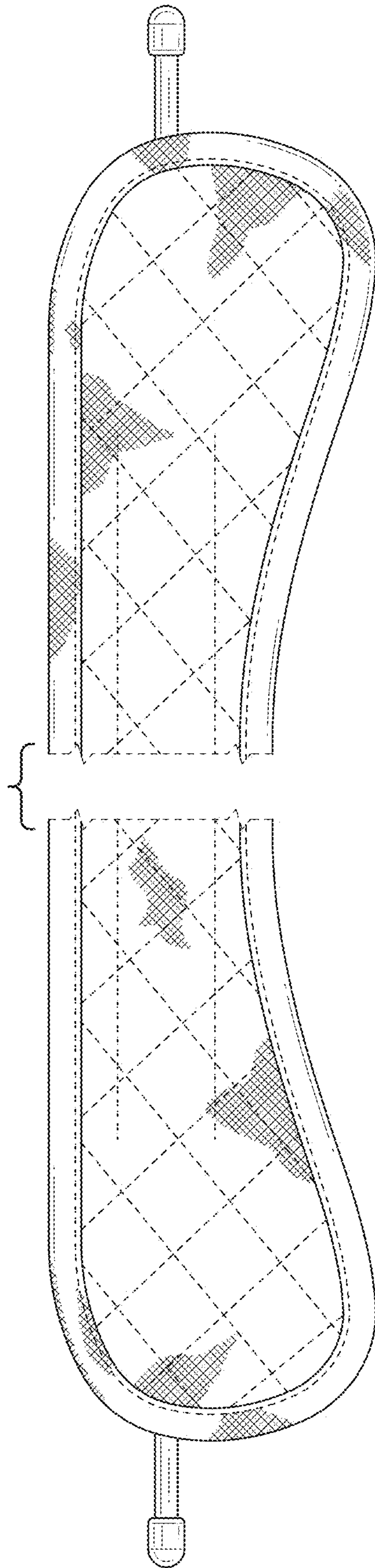


FIG. 45

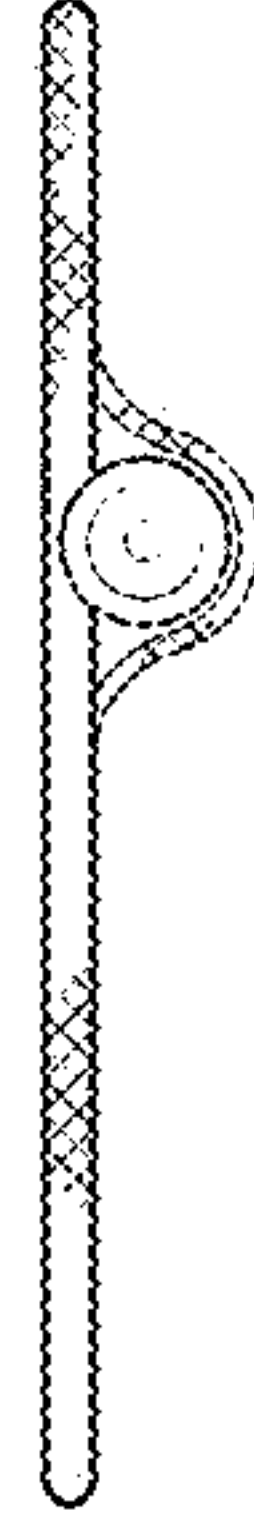


FIG. 46



FIG. 47



FIG. 48

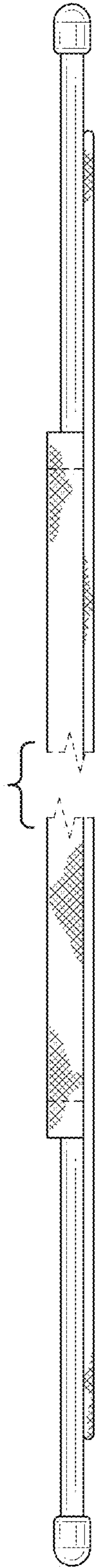


FIG. 49

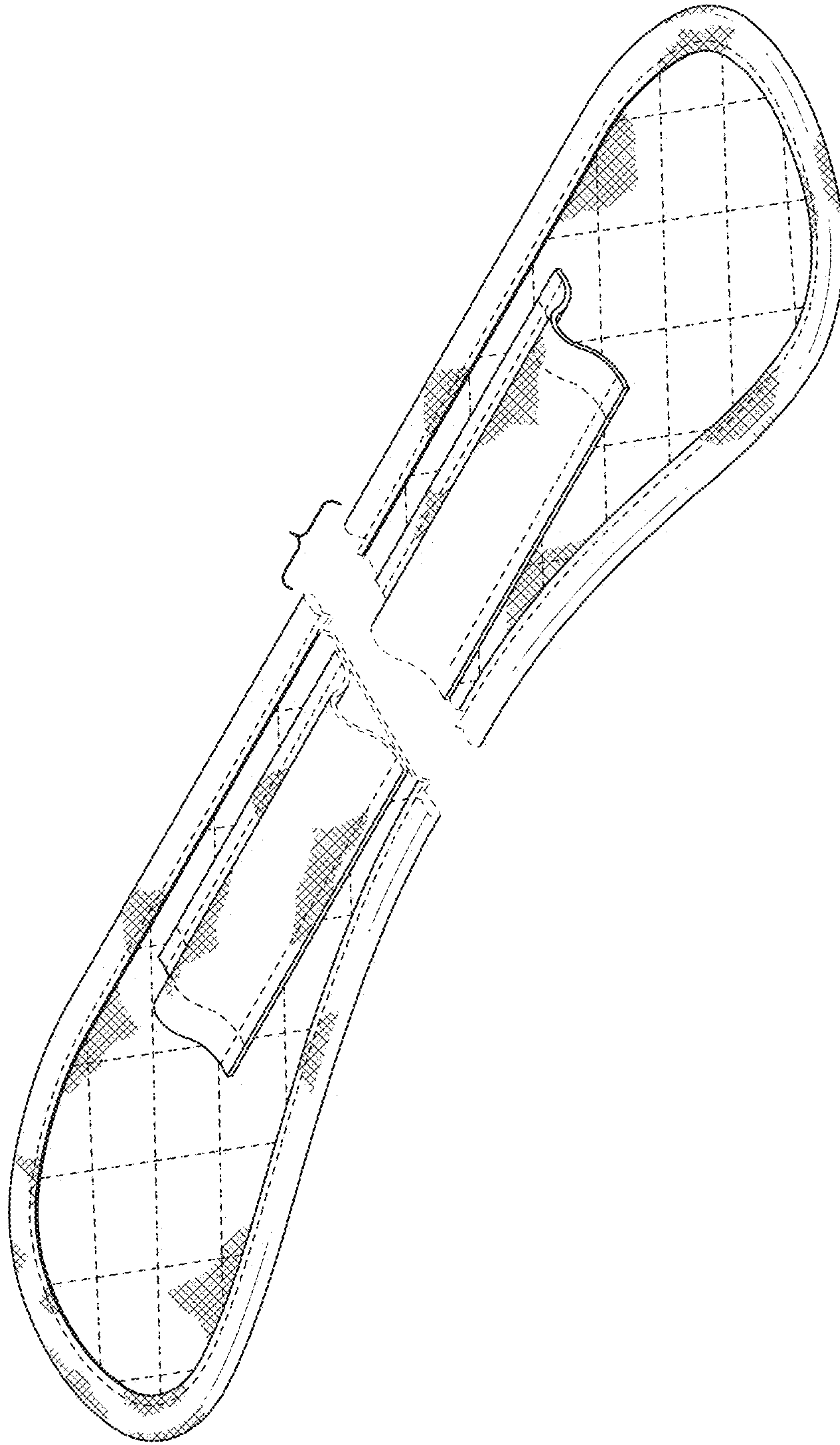


FIG. 50

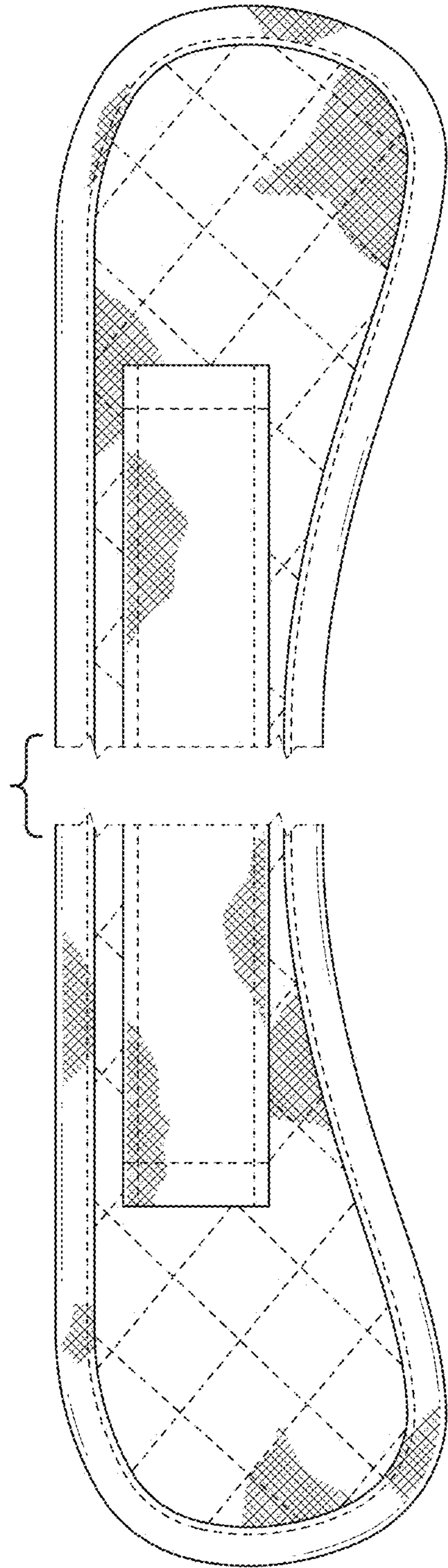


FIG. 51

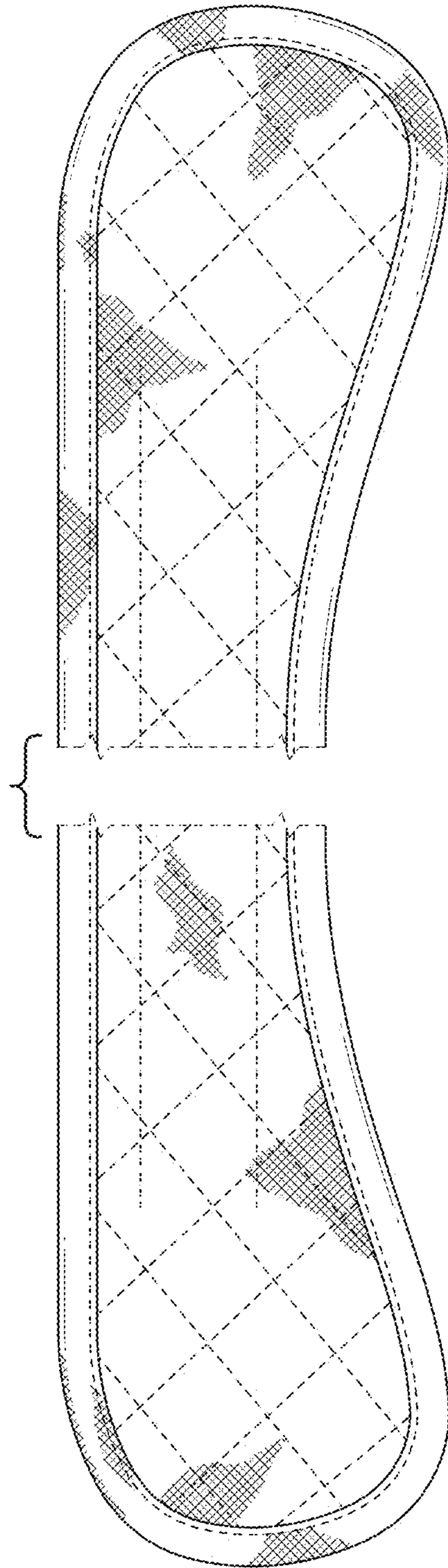


FIG. 52

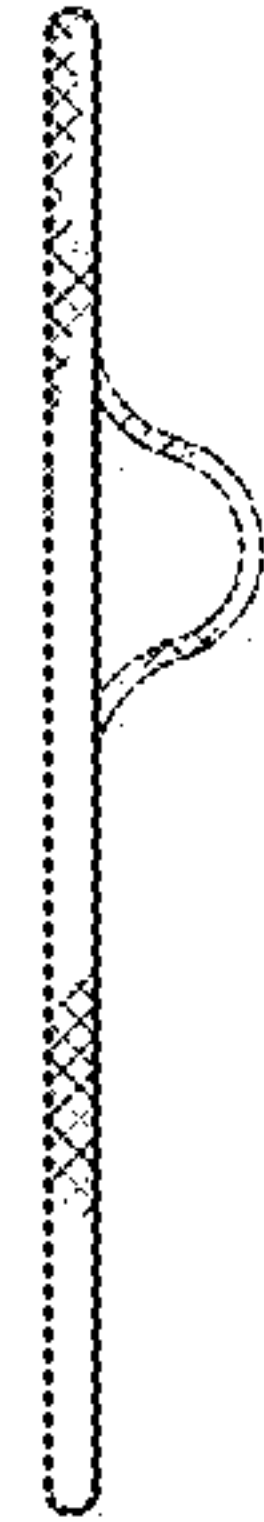


FIG. 53



FIG. 54

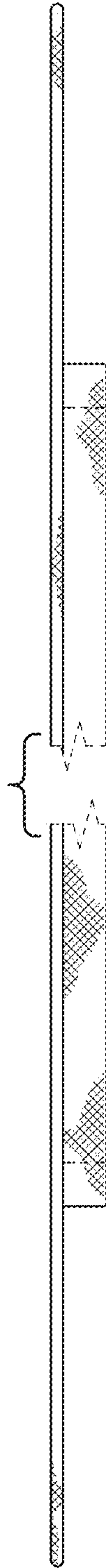


FIG. 55



FIG. 56