



US00D935184S

(12) **United States Design Patent** (10) **Patent No.:** **US D935,184 S**  
**Accra** (45) **Date of Patent:** **\*\* Nov. 9, 2021**

(54) **SACHEL**  
(71) Applicant: **Alexander Accra**, London (GB)  
(72) Inventor: **Alexander Accra**, London (GB)

(\*\*) Term: **15 Years**  
(21) Appl. No.: **35/506,732**  
(22) Filed: **Nov. 6, 2018**

(80) **Hague Agreement Data**

Int. Filing Date: **Nov. 6, 2018**  
Int. Reg. No.: **DM/200112**  
Int. Reg. Date: **Nov. 6, 2018**  
Int. Reg. Pub. Date: **May 10, 2019**

(51) **LOC (13) Cl.** ..... **03-01**  
(52) **U.S. Cl.**  
USPC ..... **D3/318**  
(58) **Field of Classification Search**  
USPC ..... D3/232–233, 240–243, 245–247,  
D3/249–253, 303, 318  
CPC ..... A45C 1/024; A45C 3/06  
See application file for complete search history.

(56) **References Cited**

**U.S. PATENT DOCUMENTS**

D46,889 S \* 1/1915 Smith ..... D3/205  
1,537,956 A \* 5/1925 McNally ..... A45C 3/00  
383/2

D137,184 S \* 2/1944 Weyenberg ..... D3/299  
D140,653 S \* 3/1945 Corre ..... D3/226  
2,387,232 A \* 10/1945 Brede ..... H04R 25/04  
224/191  
2,408,966 A \* 10/1946 Brede ..... A45F 5/00  
224/575  
D244,405 S \* 5/1977 Takata ..... D3/267  
D250,919 S \* 1/1979 Milligan ..... D3/226  
D251,037 S \* 2/1979 Cudahy, III ..... 224/918  
D253,196 S \* 10/1979 Harrie ..... D3/226  
D259,948 S \* 7/1981 Bianchi ..... D3/221  
D264,240 S \* 5/1982 Bianchi ..... D3/222  
D412,059 S \* 7/1999 White ..... D3/215  
D605,855 S \* 12/2009 Boehnlein ..... D3/303

\* cited by examiner

*Primary Examiner* — Holly E Thurman

(57) **CLAIM**

The ornamental design for a satchel, as shown and described.

**DESCRIPTION**

Figure 1.1 is a front elevational view of the satchel, showing my new design;  
Figure 1.2 is a right front perspective view thereof;  
Figure 1.3 is a rear elevational view thereof;  
Figure 1.4 is a top perspective view thereof; and  
Figure 1.5 is left rear perspective view thereof.  
The broken lines in the figures depict stitching that forms no part of the claimed design.

**1 Claim, 5 Drawing Sheets**

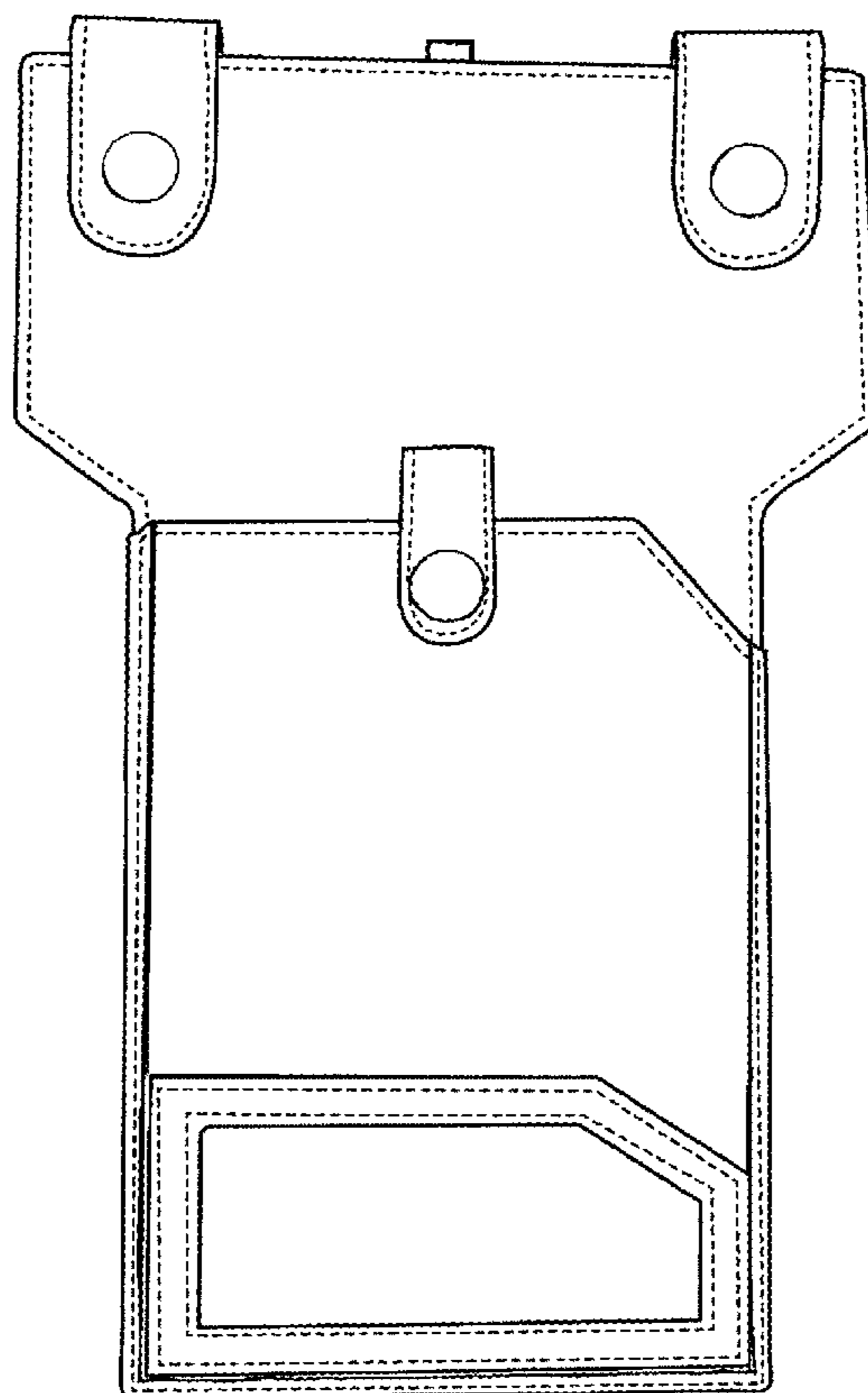


FIG. 1.1

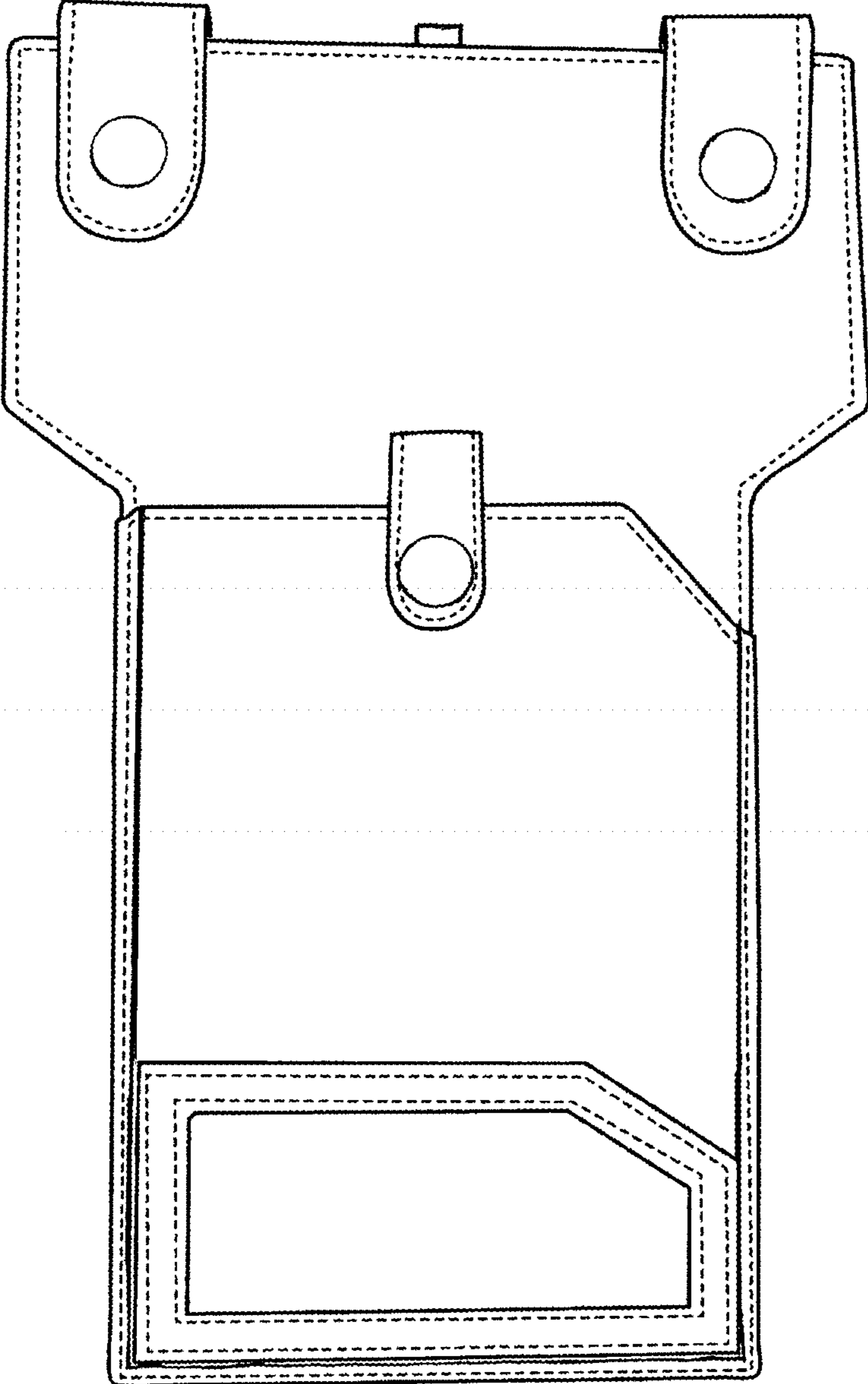


FIG. 1.2

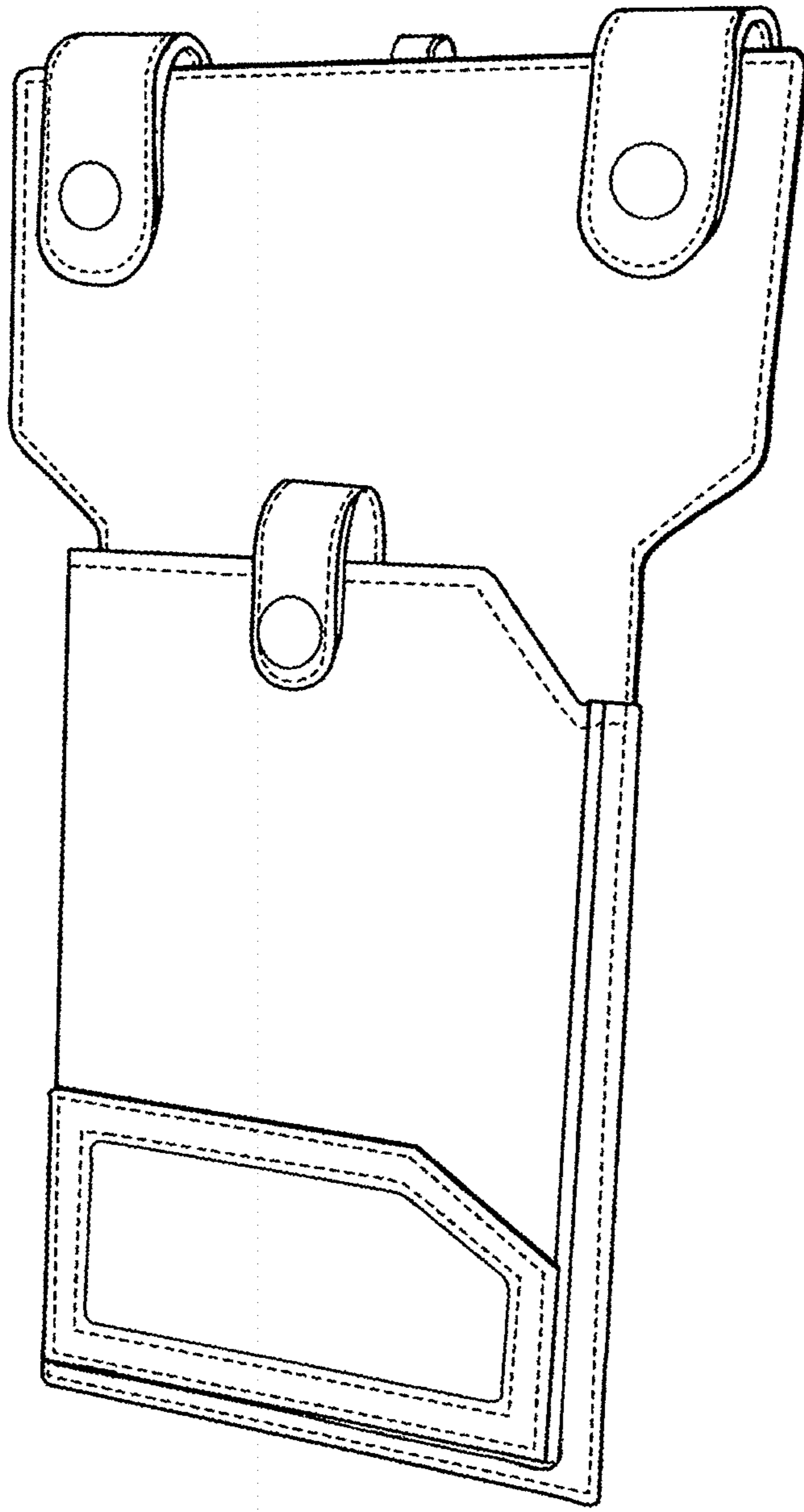


FIG. 1.3

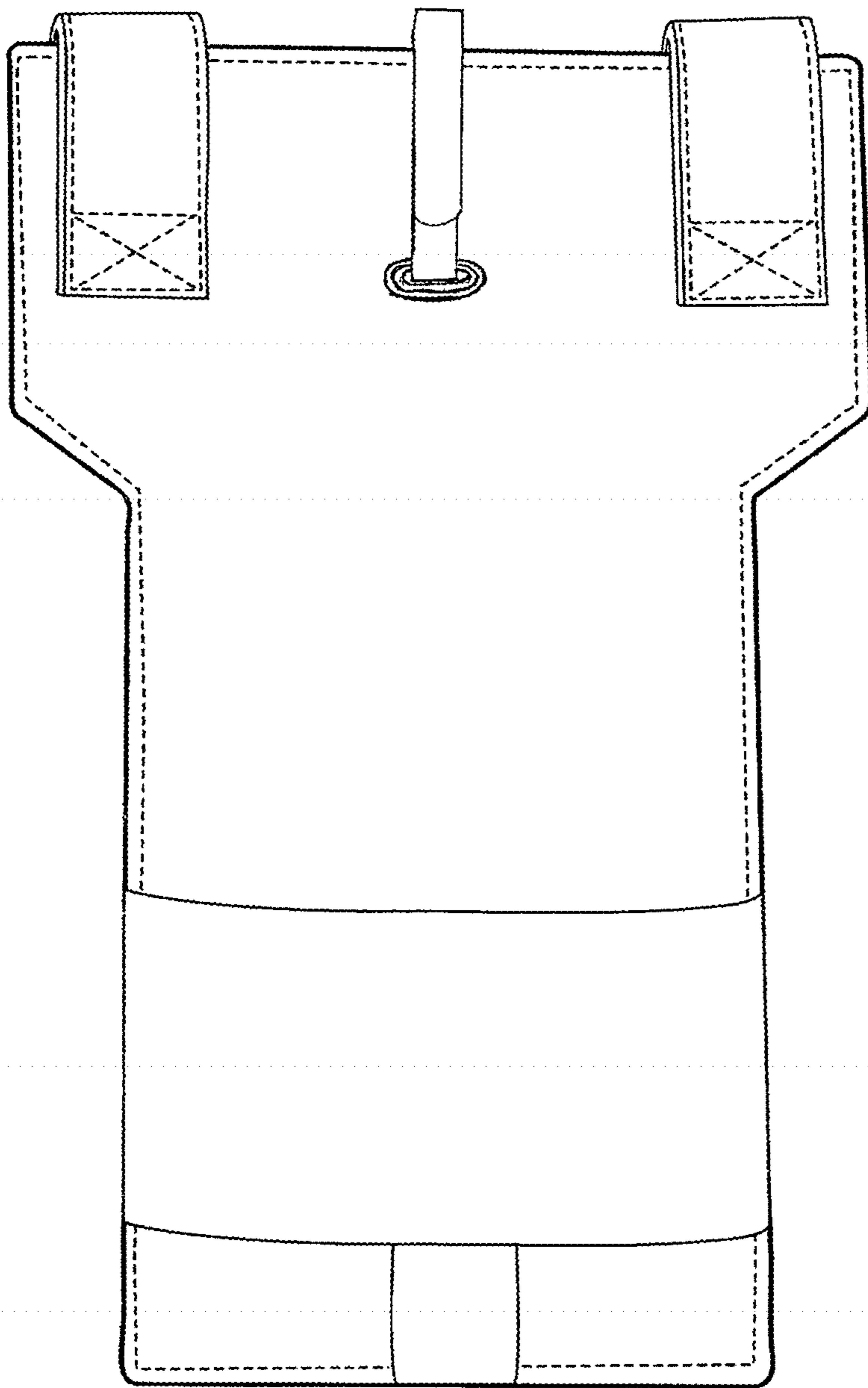


FIG. 1.4

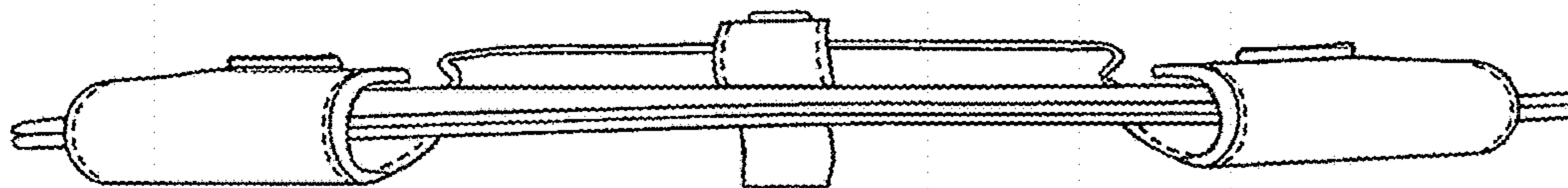


FIG. 1.5

