



US00D935180S

(12) **United States Design Patent** (10) **Patent No.:** **US D935,180 S**
Zhang (45) **Date of Patent:** **** Nov. 9, 2021**

(54) **EARPHONES CASE**
(71) Applicant: **Qifan Zhang**, Haifeng County (CN)
(72) Inventor: **Qifan Zhang**, Haifeng County (CN)
(**) Term: **15 Years**
(21) Appl. No.: **29/720,984**
(22) Filed: **Jan. 16, 2020**
(51) **LOC (13) Cl.** **03-01**
(52) **U.S. Cl.**
USPC **D3/300; D13/108; D14/440**
(58) **Field of Classification Search**
USPC D3/242, 232, 243, 246, 289, 290, 215,
D3/218, 226, 230, 300; D13/108;
D14/440
CPC A45C 2011/001; A45C 13/002
See application file for complete search history.

D912,390 S * 3/2021 Hyun D3/201
D914,603 S * 3/2021 Wang D13/118
D914,604 S * 3/2021 Wang D13/118
2021/0085047 A1* 3/2021 Wright A45C 13/02

OTHER PUBLICATIONS

Amazon, "Rugged Case for AirPods Pro, KMMIN AirPods Pro Case Cover Military . . .", First on sale Jan. 26, 2021. (<https://www.amazon.com/dp/B08TZVLRM8/>) (Year: 2021).*
Amazon, "[Upgraded 2021] Rugged Case Designed for AirPods Pro Case . . .", First on sale Apr. 24, 2020. (<https://www.amazon.com/dp/B087MB4CVQ/>) (Year: 2020).*

* cited by examiner

Primary Examiner — April Rivas

(57) **CLAIM**

The ornamental design for an earphones case, as shown and described.

(56) **References Cited**

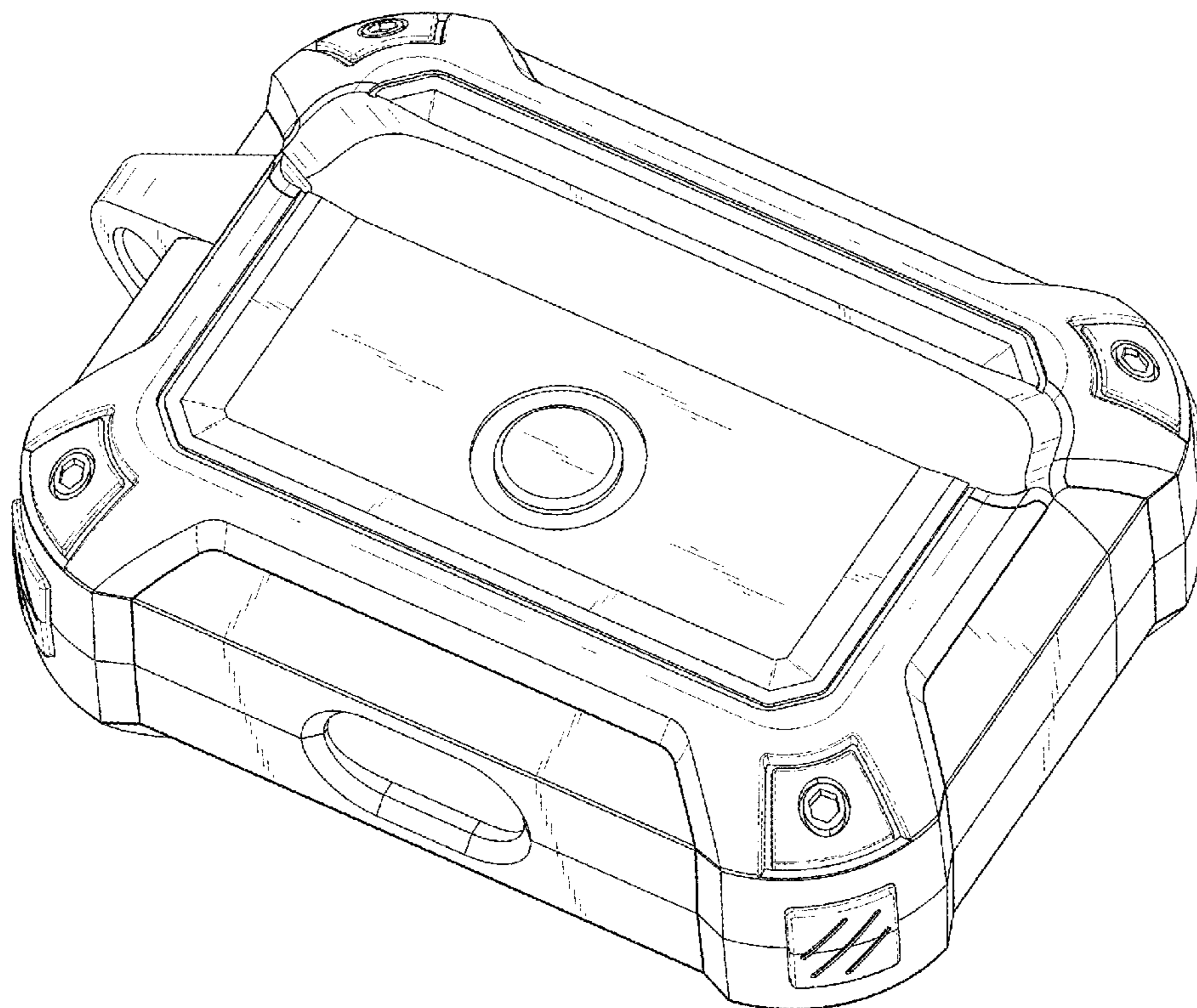
U.S. PATENT DOCUMENTS

D664,352 S * 7/2012 Shamoan D3/226
D881,181 S * 4/2020 Wright D14/250
D881,867 S * 4/2020 Lee D14/250
D883,296 S * 5/2020 Lee D14/440
D886,445 S * 6/2020 Hyun D3/201
D888,037 S * 6/2020 Wright D14/250
D888,043 S * 6/2020 Wright D14/250
D888,663 S * 6/2020 Weng D13/108
D895,287 S * 9/2020 Hyun D3/302
D895,288 S * 9/2020 Hyun D3/302
D902,854 S * 11/2020 Feng D13/108

DESCRIPTION

FIG. 1 is a front perspective view of the earphones case showing my new design;
FIG. 2 is a rear perspective view thereof;
FIG. 3 is a front elevational view thereof;
FIG. 4 is a rear elevational view thereof;
FIG. 5 is a left side elevational view thereof;
FIG. 6 is a right side elevational view thereof;
FIG. 7 is a top plan view thereof; and,
FIG. 8 is a bottom plan view thereof.

1 Claim, 8 Drawing Sheets



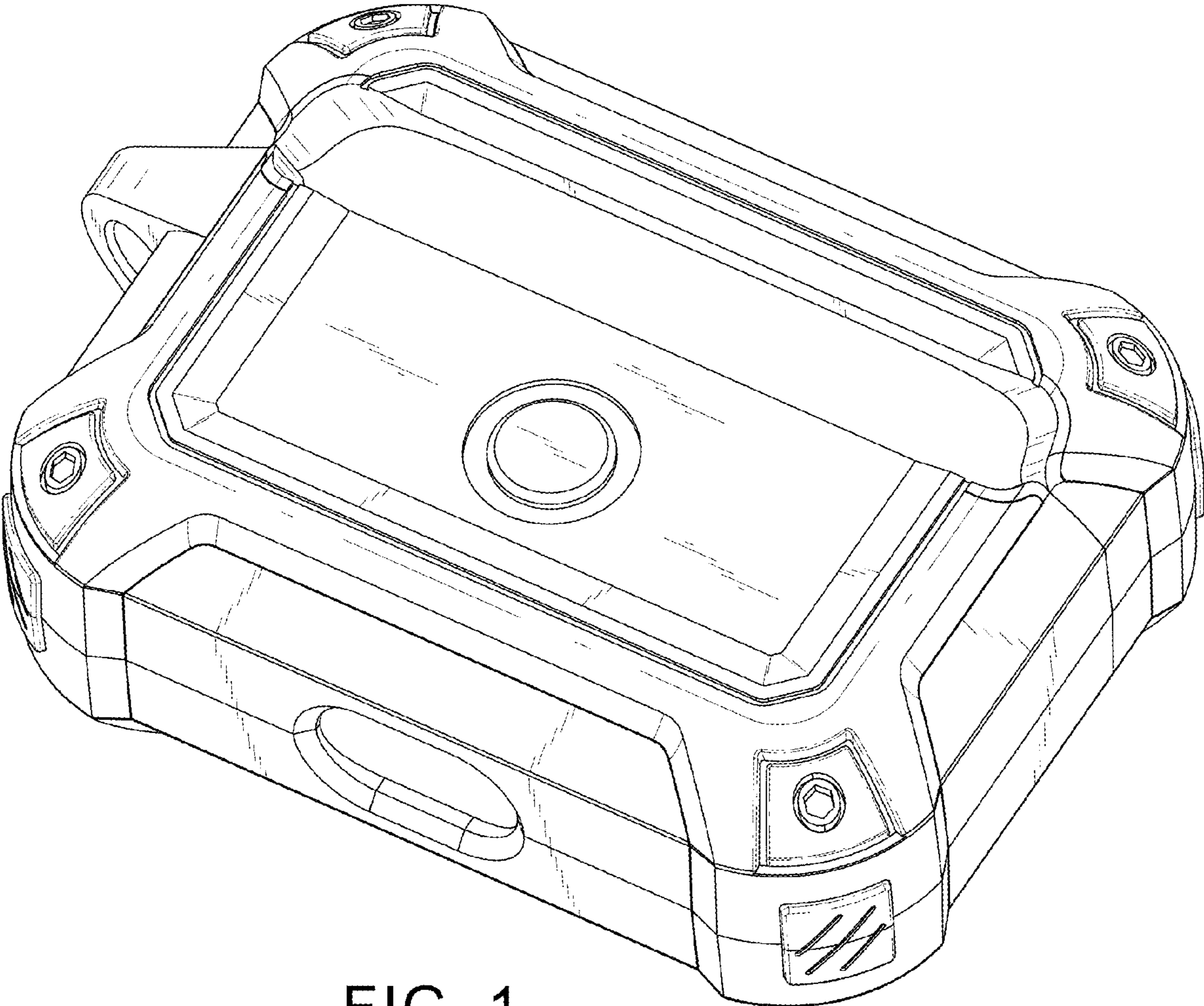
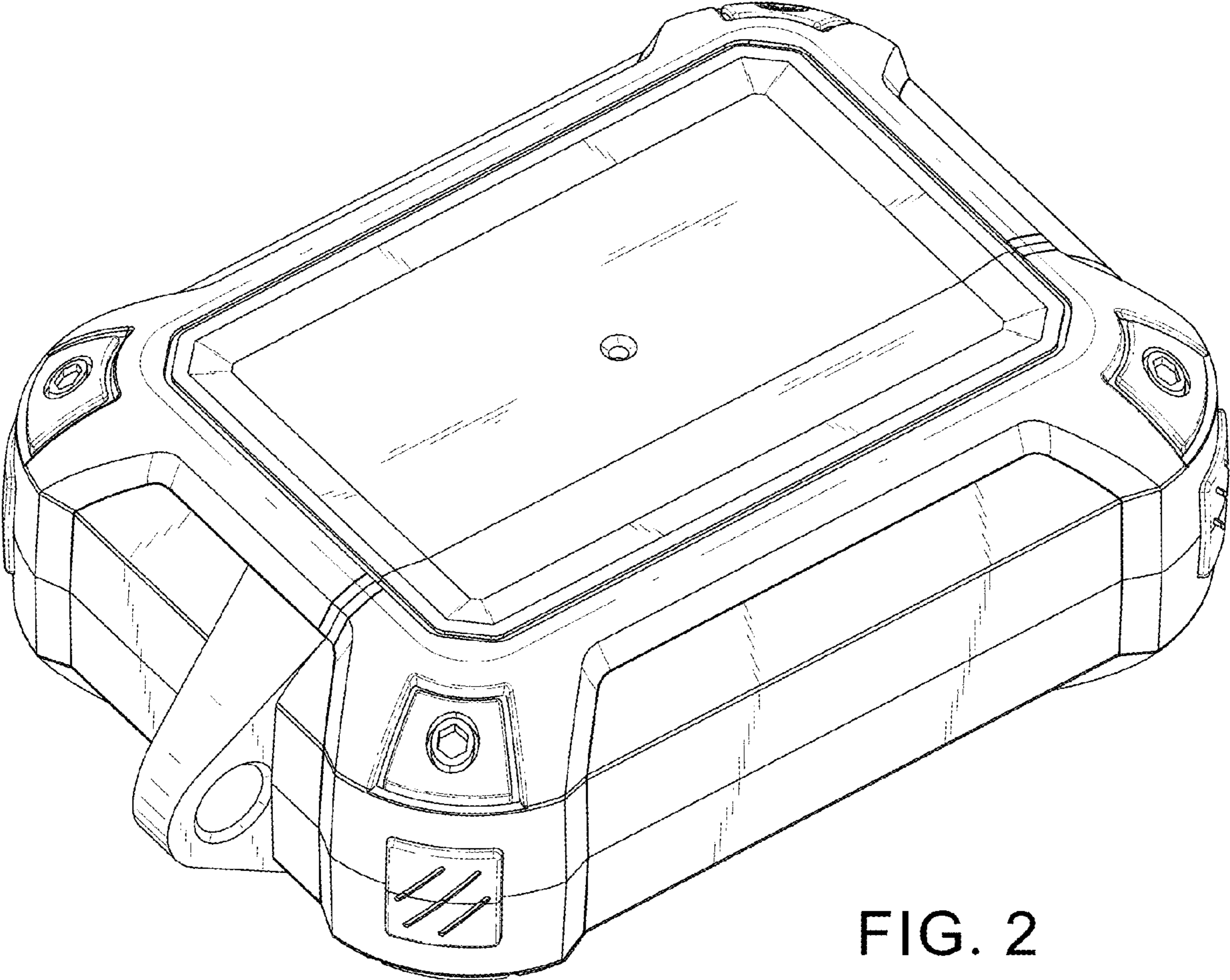


FIG. 1



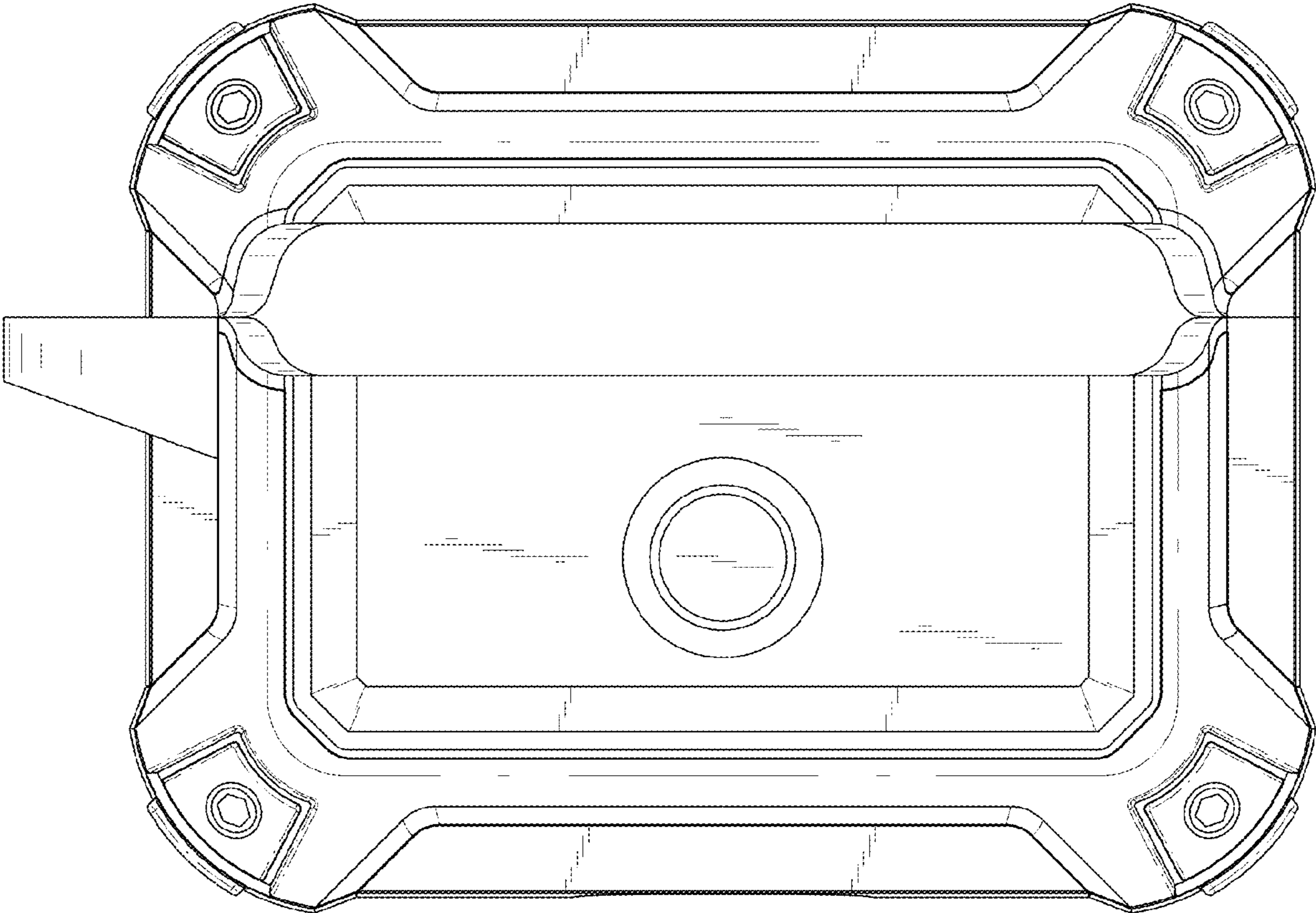


FIG. 3

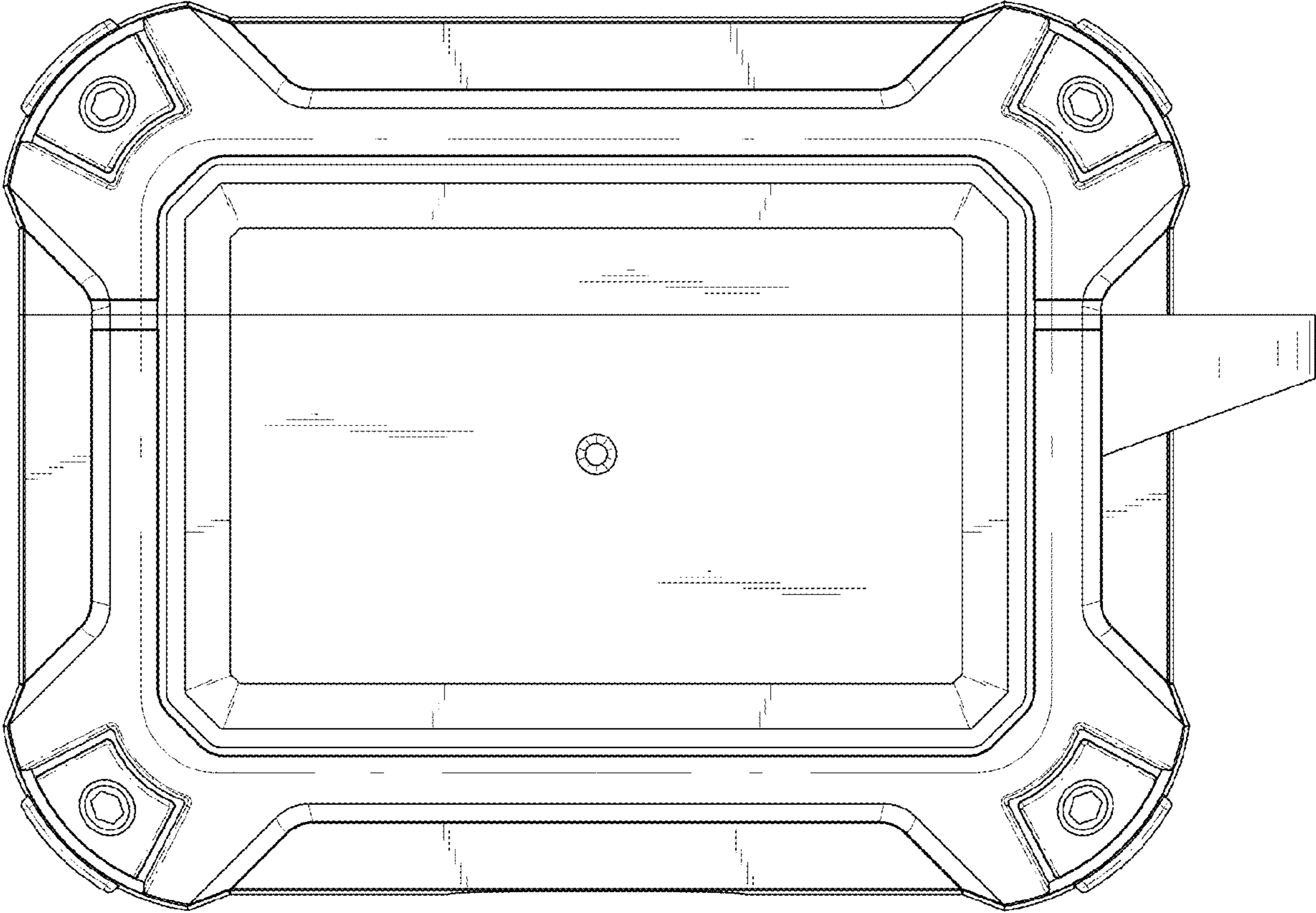


FIG. 4

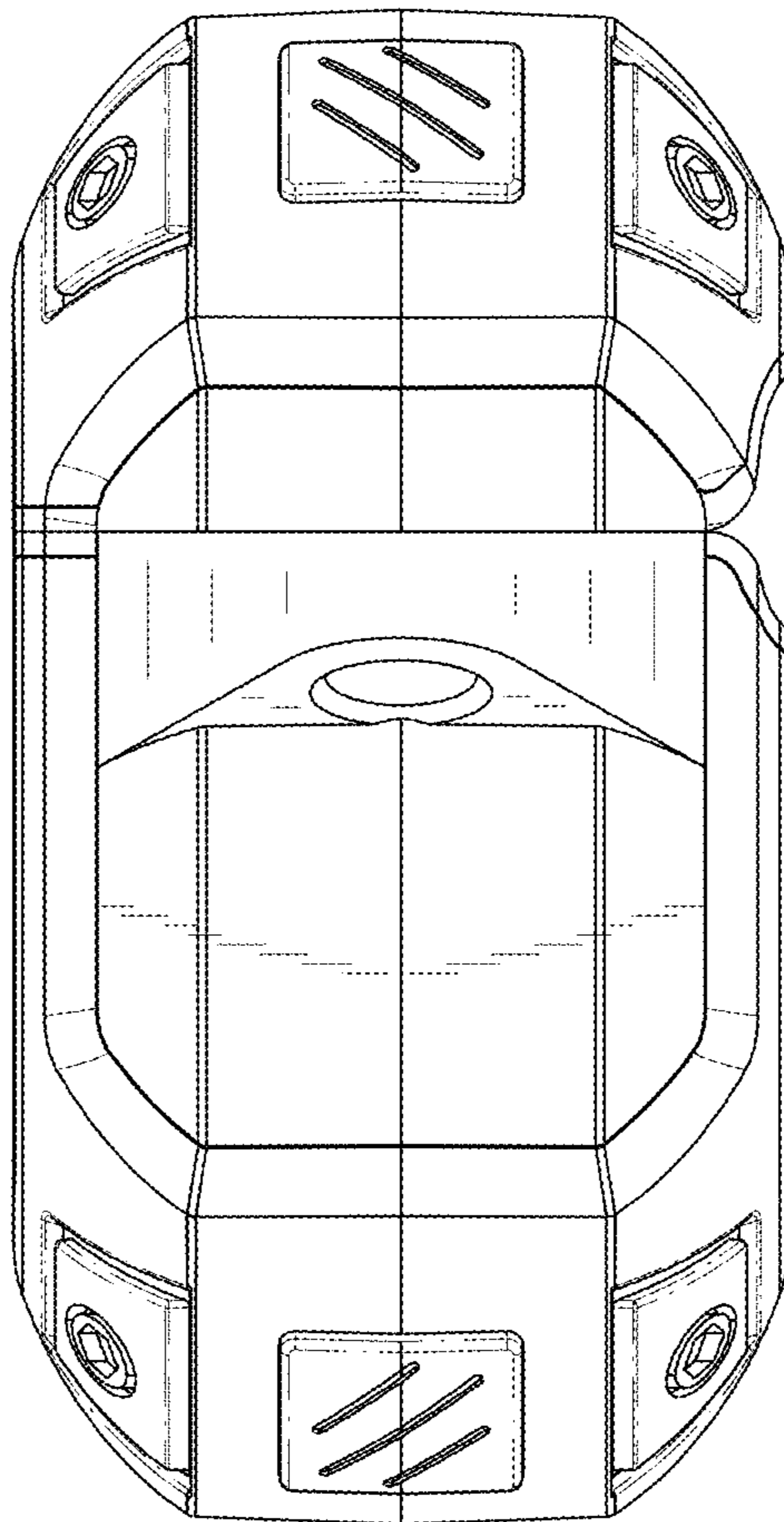


FIG. 5

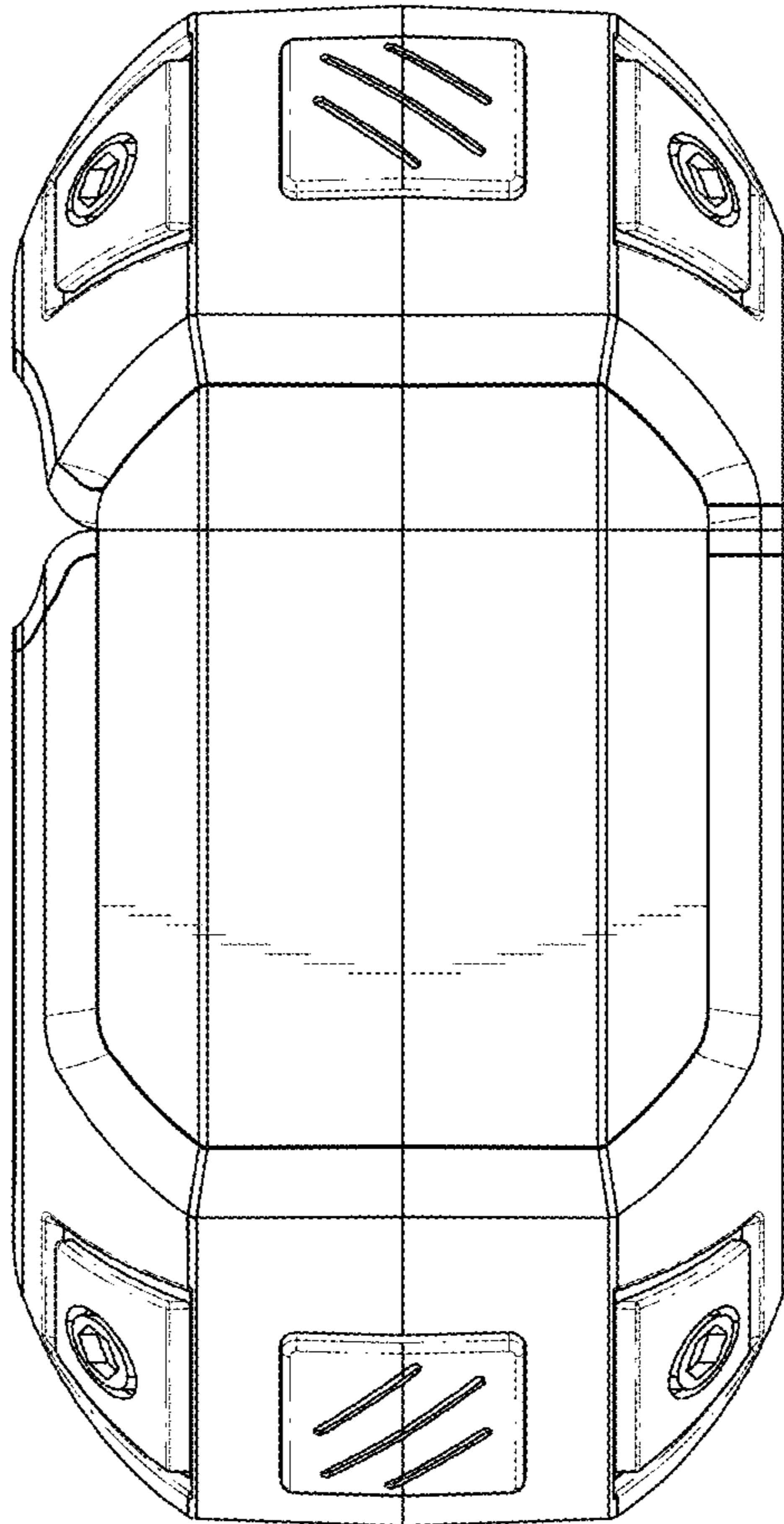


FIG. 6

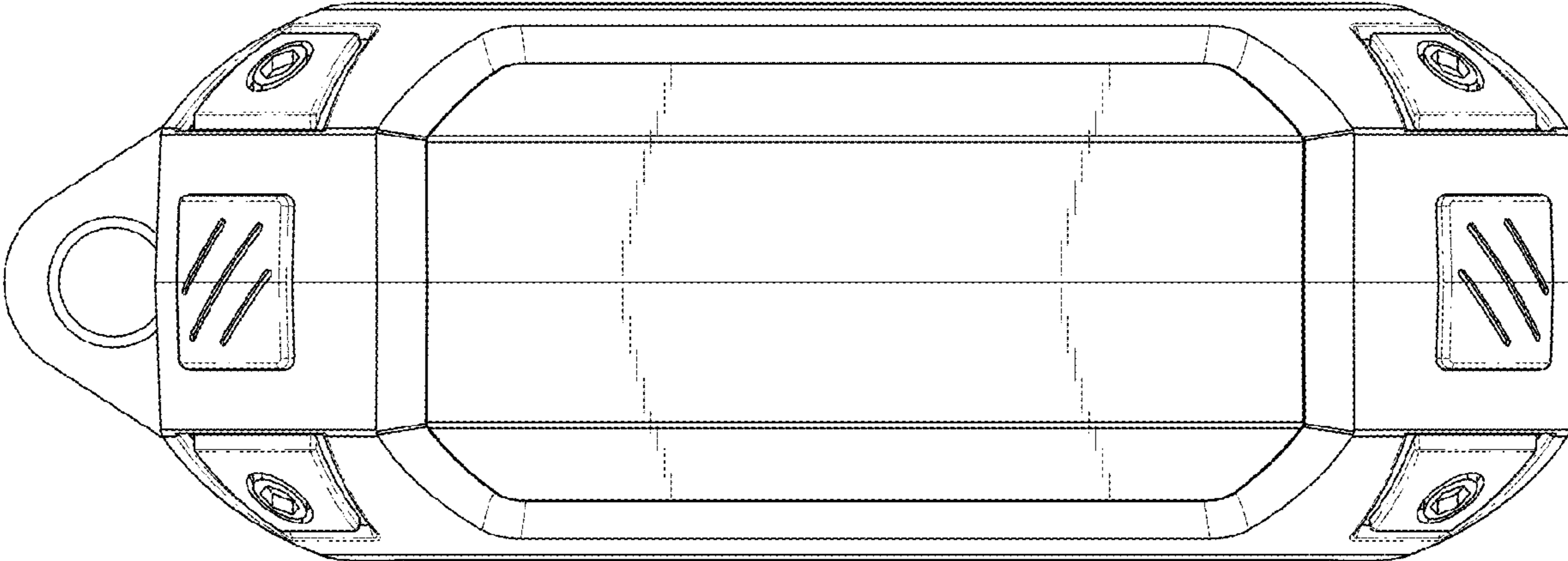


FIG. 7

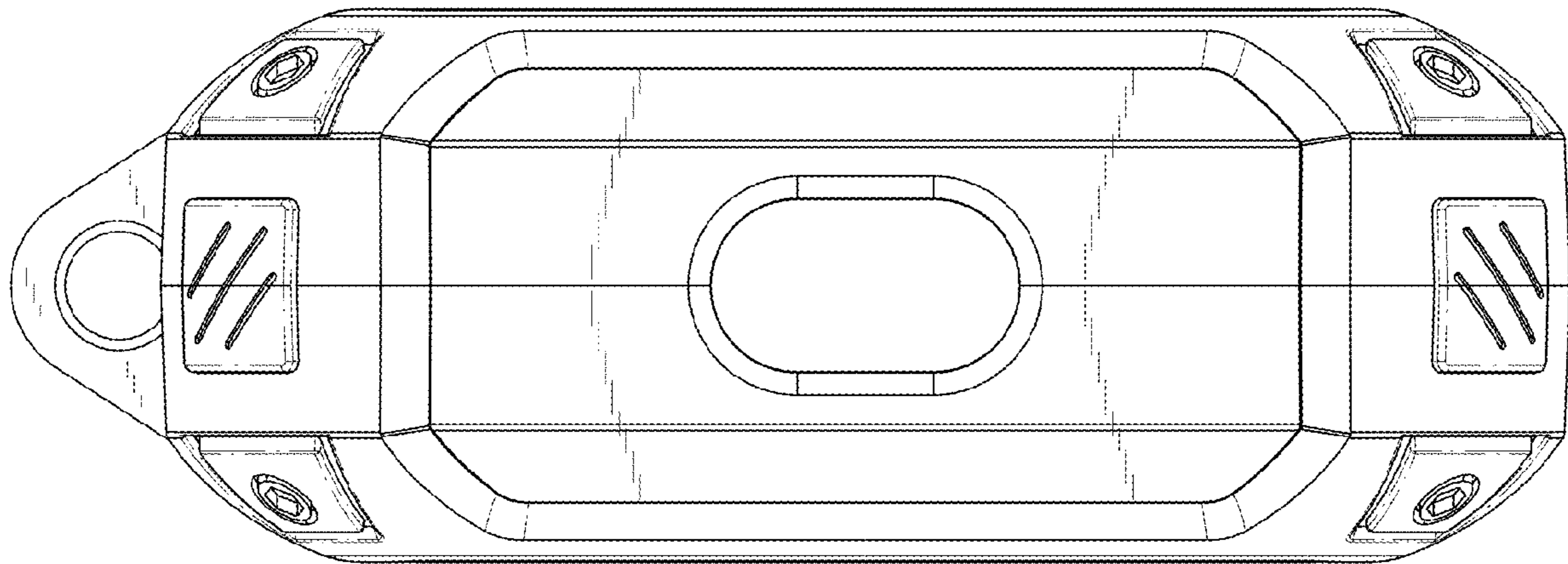


FIG. 8