



US00D935179S

(12) **United States Design Patent** (10) **Patent No.:** **US D935,179 S**
Liu (45) **Date of Patent:** **** Nov. 9, 2021**

(54) **SILICONE CASE FOR WIRELESS EARPONES**
 (71) Applicant: **Dongguan Houcheng Watch Industry Co., LTD.**, Dongguan (CN)
 (72) Inventor: **Jian Liu**, Sichuan (CN)
 (73) Assignee: **Dongguan Houcheng Watch Industry Co., LTD.**, Dongguan (CN)

(**) Term: **15 Years**

(21) Appl. No.: **29/732,910**

(22) Filed: **Apr. 28, 2020**

(51) **LOC (13) Cl.** **03-01**

(52) **U.S. Cl.**
USPC **D3/294**

(58) **Field of Classification Search**
 USPC D3/201, 207, 208, 212, 215, 218, 269,
 D3/273, 290, 294, 298, 299, 302;
 D7/641; D13/108; D14/223
 CPC H04R 1/1025; H04R 2460/17; A45C
 2013/025; A45C 2011/001; H02J 7/0044;
 H02J 7/025
 See application file for complete search history.

(56) **References Cited**

U.S. PATENT DOCUMENTS

D882,259 S * 4/2020 Liu D3/269
 D892,497 S * 8/2020 Wright D3/294

D892,498 S * 8/2020 Wright D3/294
 D893,166 S * 8/2020 Lu D3/201
 D897,997 S * 10/2020 Zhang D14/223
 D901,189 S * 11/2020 Choi D5/66
 D904,037 S * 12/2020 Choi D5/66
 D905,430 S * 12/2020 Kwak D3/273
 D905,439 S * 12/2020 Choi D5/66
 D907,009 S * 1/2021 Akana D14/223

* cited by examiner

Primary Examiner — Kevin K Rudzinski

Assistant Examiner — Amber J Rabie

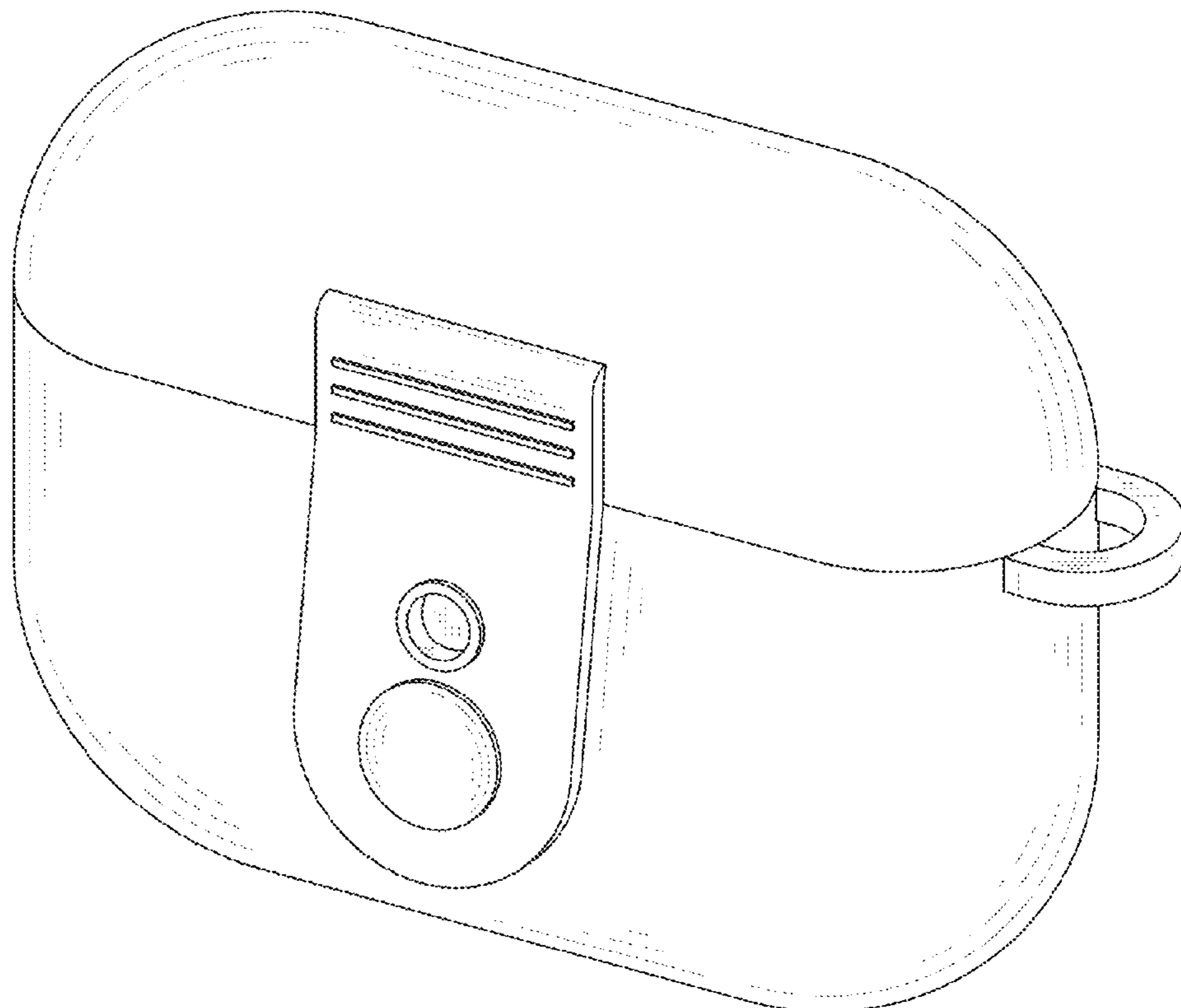
(57) **CLAIM**

The ornamental design for a silicone case for wireless earphones, as shown and described.

DESCRIPTION

FIG. 1 is a front perspective view of a silicone case for wireless earphones showing my new design;
 FIG. 2 is a back perspective view thereof;
 FIG. 3 is a front perspective view with lid open thereof;
 FIG. 4 is a front view thereof;
 FIG. 5 is a back view thereof;
 FIG. 6 is a right side view thereof;
 FIG. 7 is a left side view thereof;
 FIG. 8 is a top side view thereof; and,
 FIG. 9 is a bottom side view thereof.

1 Claim, 9 Drawing Sheets



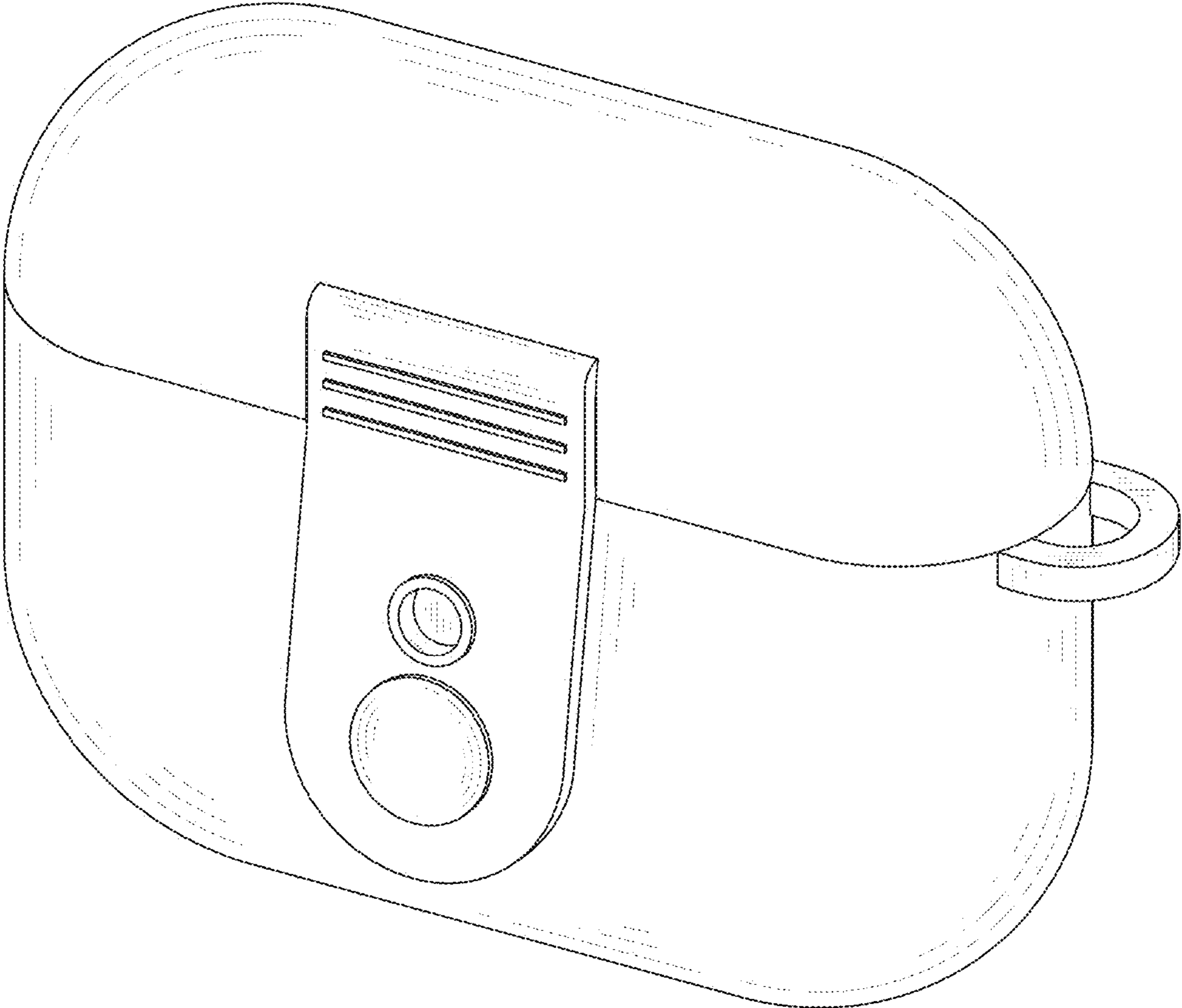


FIG.1

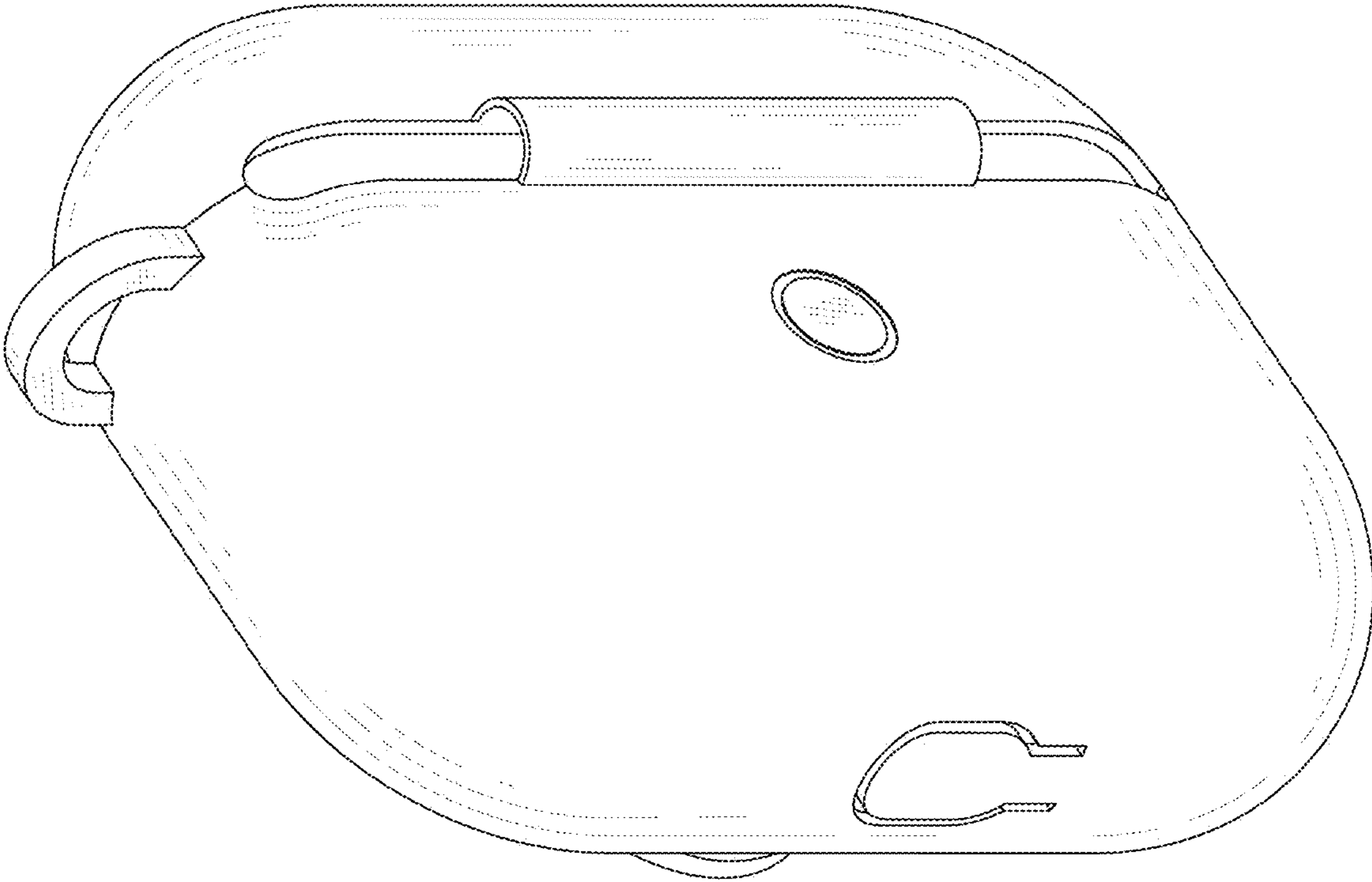


FIG. 2

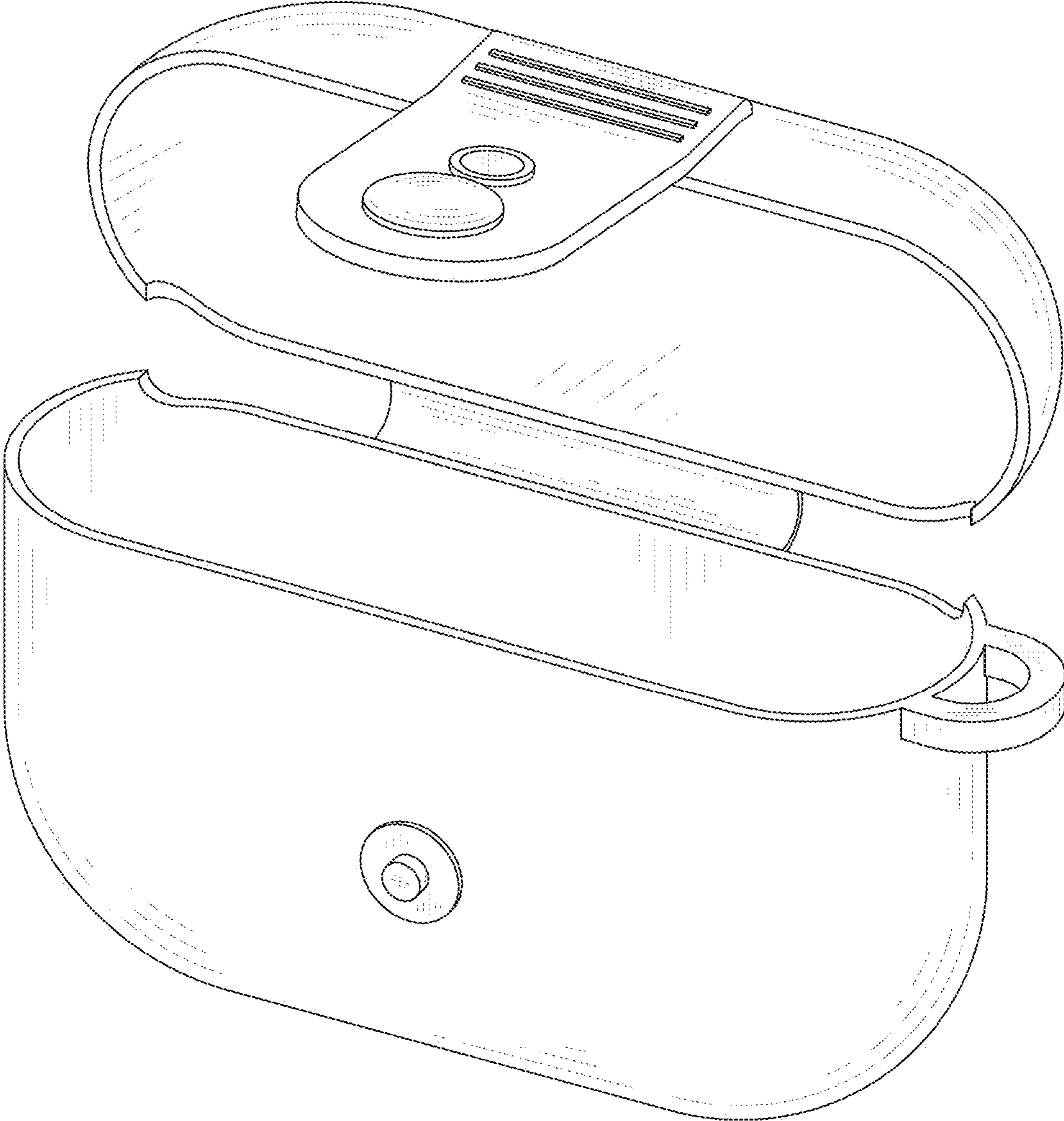


FIG. 3

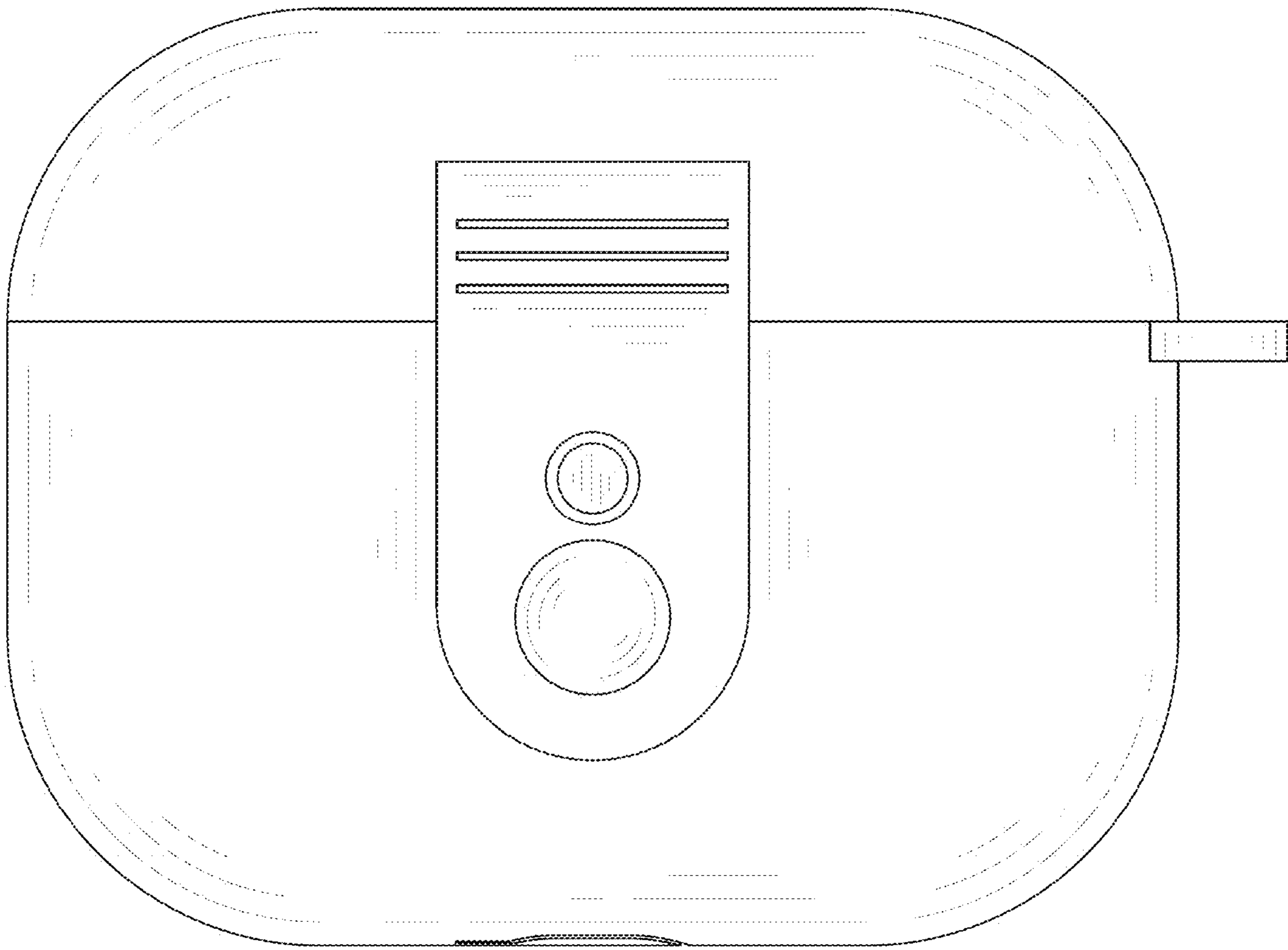


FIG. 4

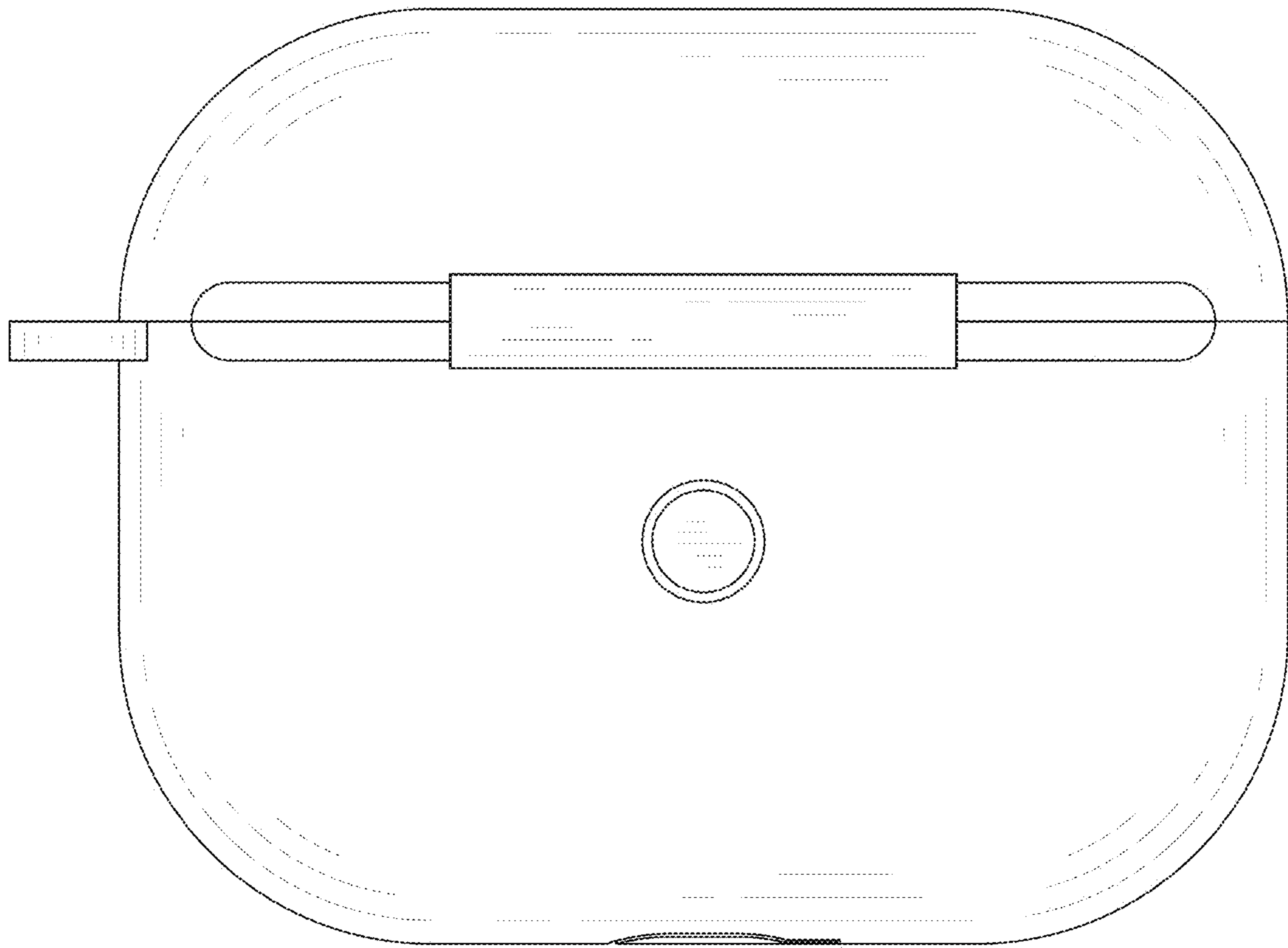


FIG. 5

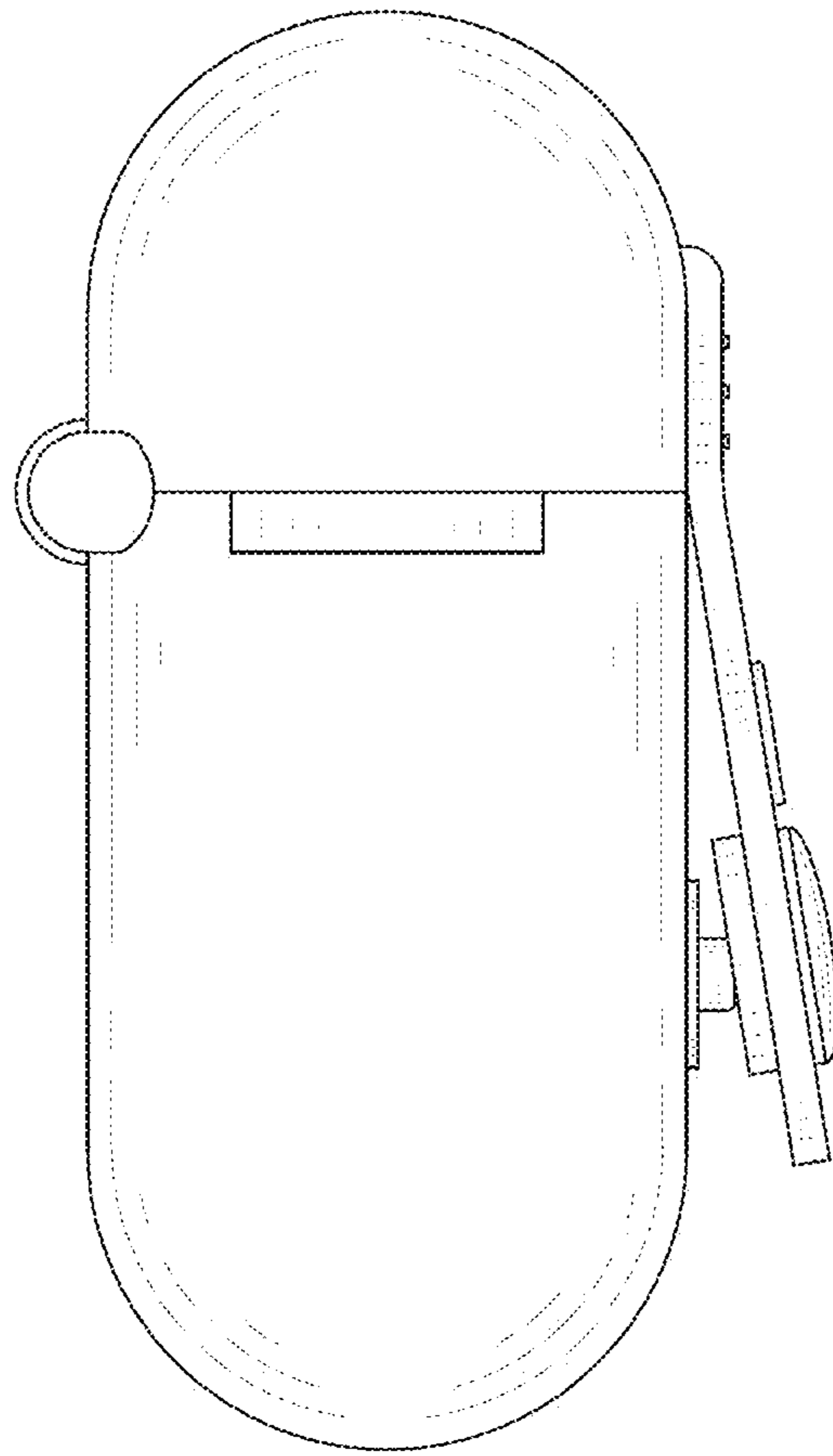


FIG. 6

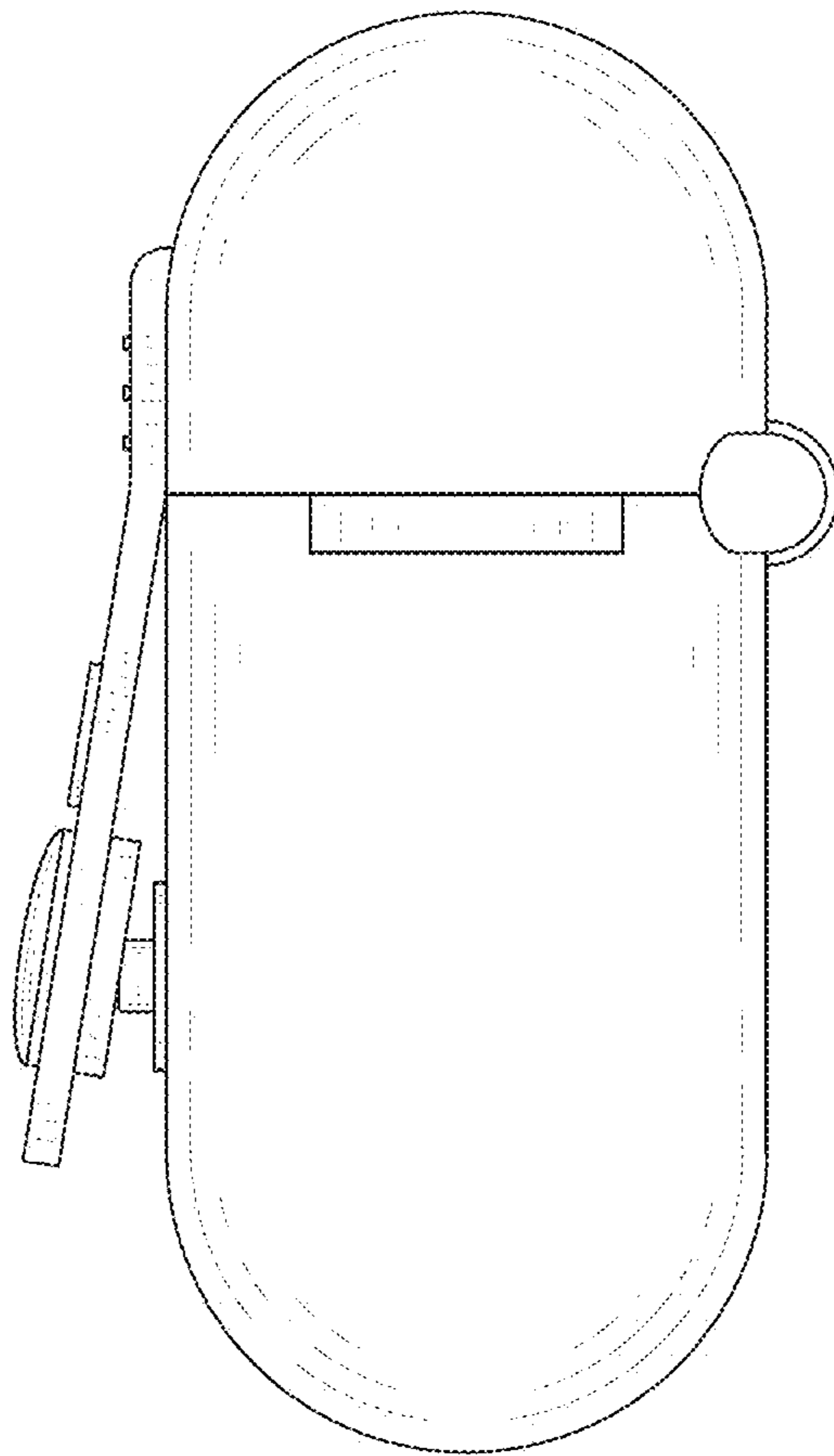


FIG. 7

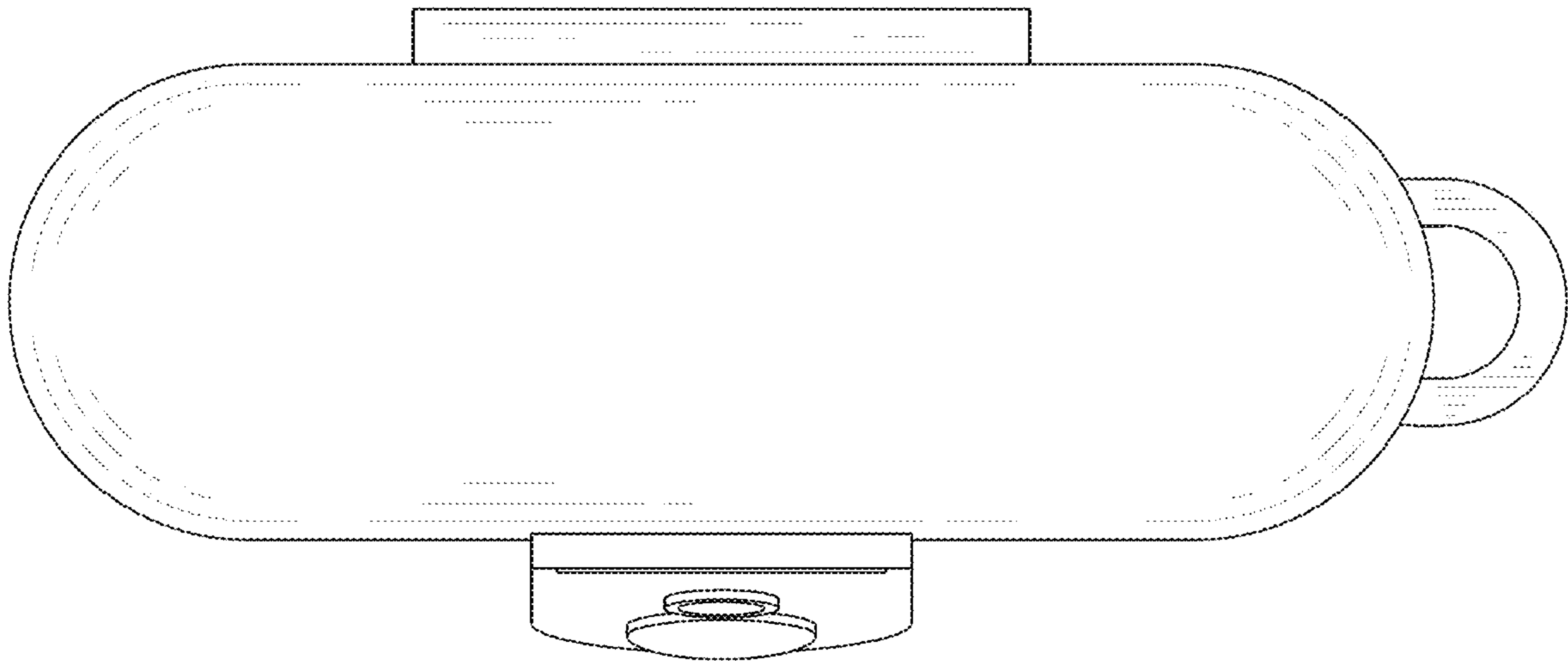


FIG. 8

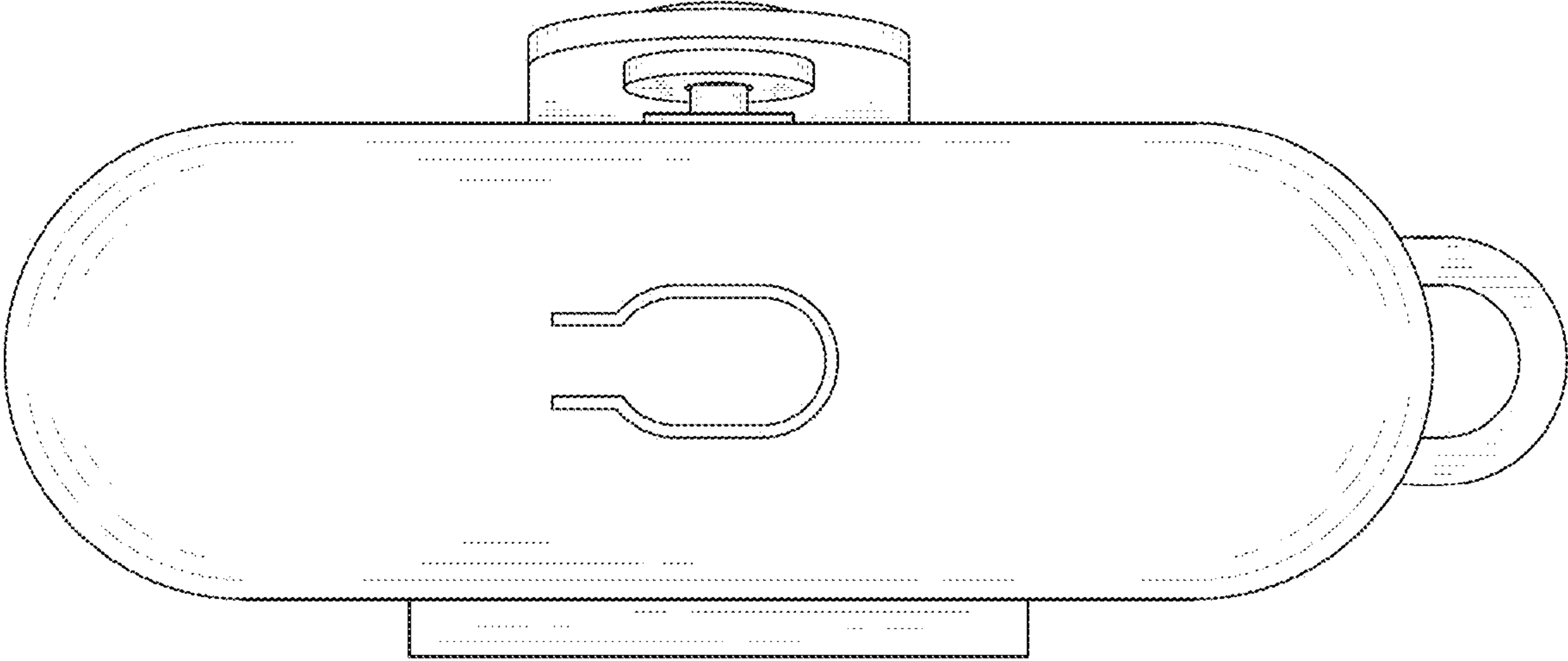


FIG. 9