



US00D935170S

(12) **United States Design Patent** (10) **Patent No.:** **US D935,170 S**  
**Yang** (45) **Date of Patent:** **\*\* \*Nov. 9, 2021**

(54) **CELL PHONE POUCH**  
(71) Applicant: **SHENZHENSHI GUANGSHENGHONGYUAN TRADING CO., LTD.**, Shenzhen (CN)

D856,677 S 8/2019 Gill  
D858,502 S 9/2019 Zhang  
D870,455 S \* 12/2019 Yang ..... D3/226  
D880,149 S 4/2020 Yang  
D886,447 S \* 6/2020 Plunkett ..... D3/226  
D886,448 S \* 6/2020 Zhang ..... D3/226

(72) Inventor: **Gaozong Yang**, Shenzhen (CN)  
(73) Assignee: **SHENZHENSHI GUANGSHENGHONGYUAN TRADING CO., LTD.**, Shenzhen (CN)

**OTHER PUBLICATIONS**

Ykooe Cell Phone Pouch Nylon Holster Case with Belt Clip Cover Compatible with iPhone 12/Pro/Mini, 11, Pro, Max, SE2 7 8+ X, Samsung Galaxy S20 FE S10+ S9 A51 A01 Google Pixel 5/4A Moto/LG—Large . . . [https://www.amazon.com/ykooe-Holster-Samsung-Motorola-Smartphone/dp/B07TYM41T7/ref=sr\\_1\\_9?dchild=1&keywords=ykooe+cell+phone+pouch+nylon+holster+case+wit+belt+clip+cover+compatible+with+iPhone+12%2FPro%2FMini%2C+11&qid=1615951673&sr=8-9](https://www.amazon.com/ykooe-Holster-Samsung-Motorola-Smartphone/dp/B07TYM41T7/ref=sr_1_9?dchild=1&keywords=ykooe+cell+phone+pouch+nylon+holster+case+wit+belt+clip+cover+compatible+with+iPhone+12%2FPro%2FMini%2C+11&qid=1615951673&sr=8-9) (Year: 2019).\*

(\* ) Notice: This patent is subject to a terminal disclaimer.  
(\*\*) Term: **15 Years**

\* cited by examiner

(21) Appl. No.: **29/748,758**  
(22) Filed: **Sep. 1, 2020**  
(51) **LOC (13) Cl.** ..... **03-01**  
(52) **U.S. Cl.**  
USPC ..... **D3/218**

*Primary Examiner* — Catherine R Oliver-Garcia

(57) **CLAIM**

The ornamental design for a cell phone pouch, as shown and described.

(58) **Field of Classification Search**  
USPC ..... D3/218, 201, 215, 219, 228, 269, 301, D3/303; 224/196, 240–241, 578, 674, 224/676–681, 901, 904, 930; D14/248, D14/250–251, 253  
CPC ..... A45F 5/00  
See application file for complete search history.

**DESCRIPTION**

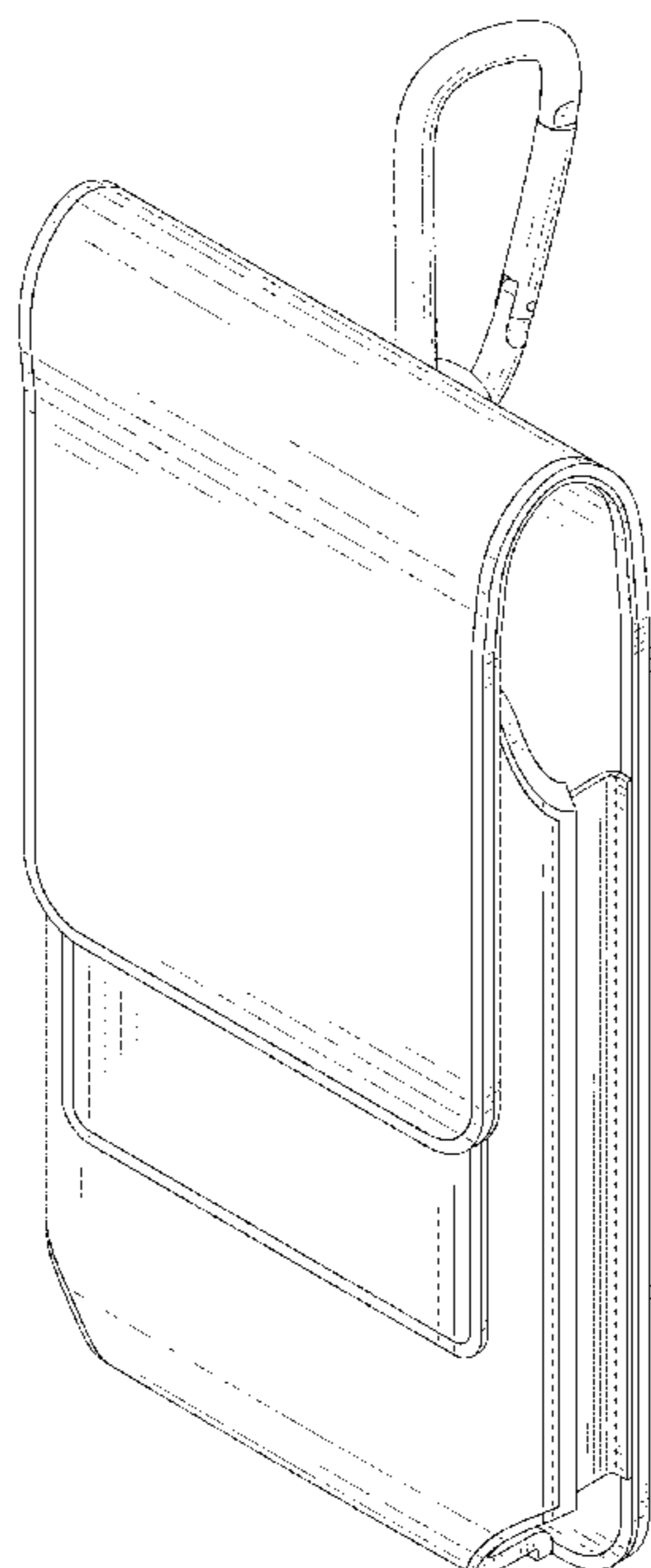
FIG. 1 is a perspective view of a cell phone pouch showing my new design;  
FIG. 2 is another perspective view thereof;  
FIG. 3 is a front elevational view thereof;  
FIG. 4 is a rear elevational view thereof;  
FIG. 5 is a left side elevational view thereof;  
FIG. 6 is a right side elevational view thereof;  
FIG. 7 is a top plan view thereof; and,  
FIG. 8 is a bottom plan view thereof.  
The broken lines in the drawings illustrate portions of the cell phone pouch that form no part of the claimed design.

(56) **References Cited**

**U.S. PATENT DOCUMENTS**

D495,872 S 9/2004 Patton  
D499,545 S \* 12/2004 Condiff ..... D3/218  
D518,950 S \* 4/2006 Condiff ..... D3/218  
D534,721 S \* 1/2007 Hussaini ..... D3/218  
D819,960 S 8/2018 Zhang

**1 Claim, 8 Drawing Sheets**



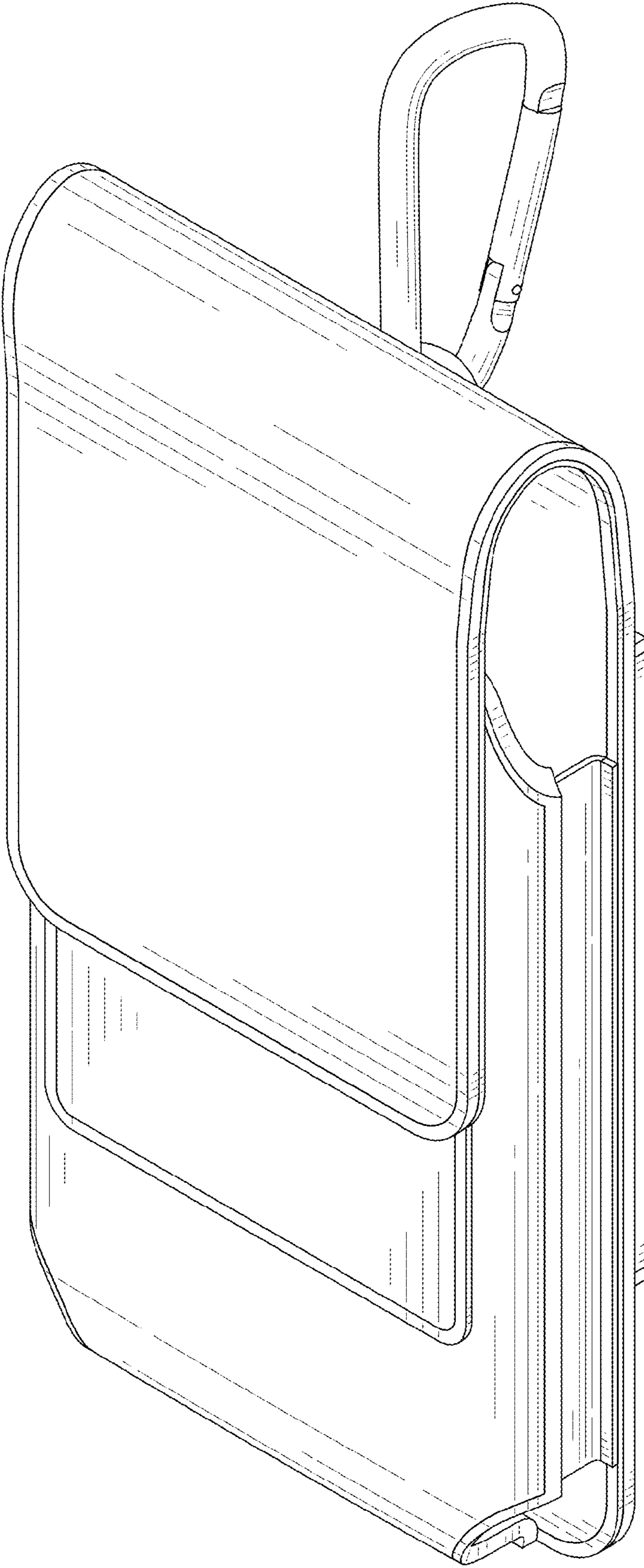


FIG. 1

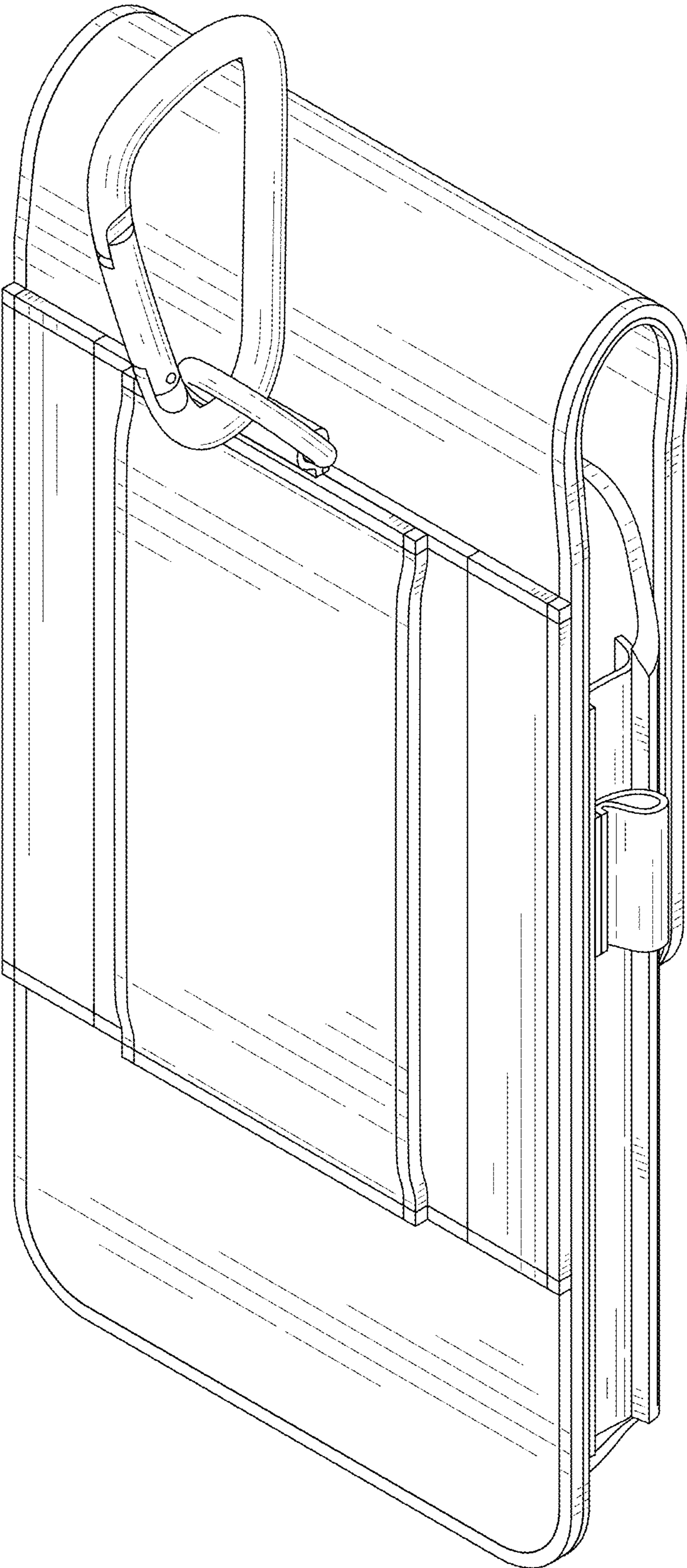


FIG. 2

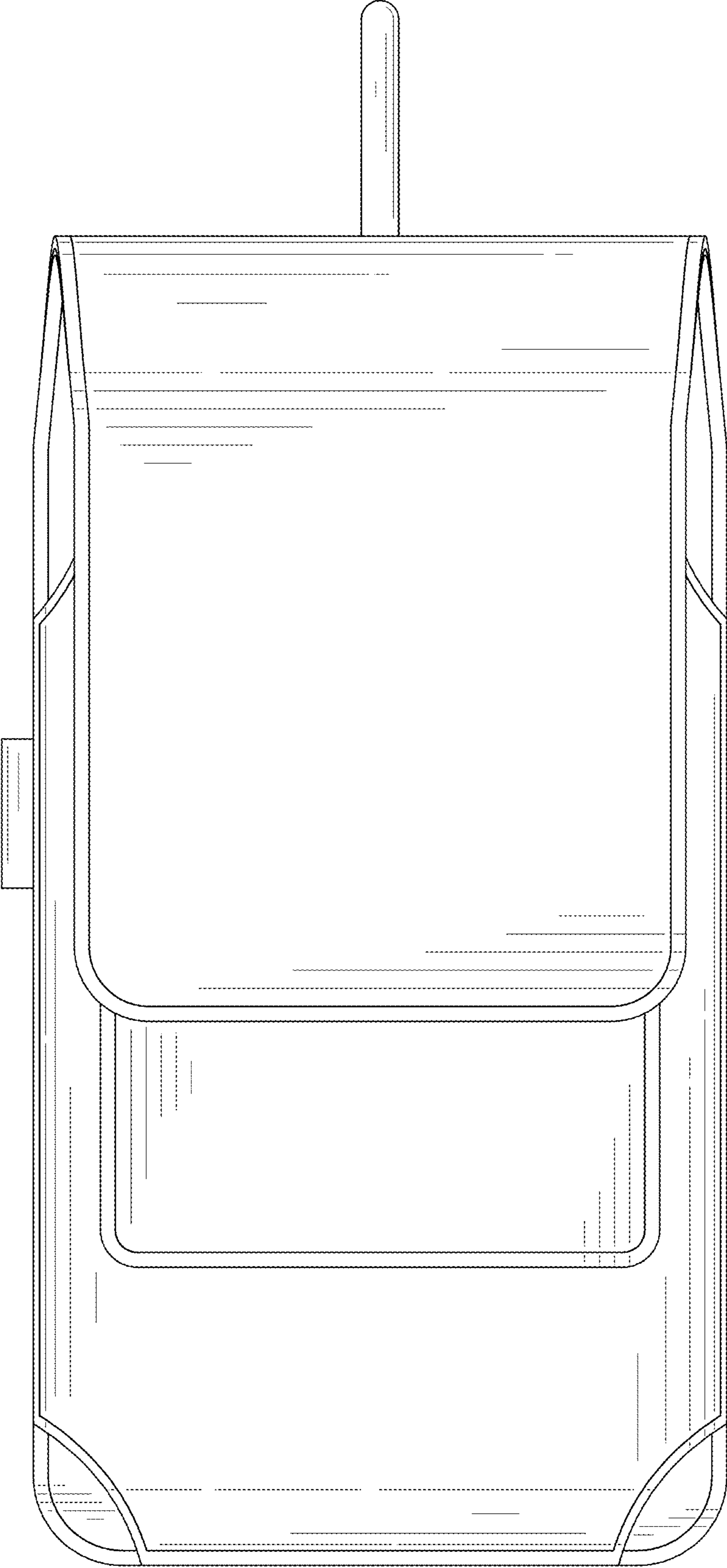


FIG. 3

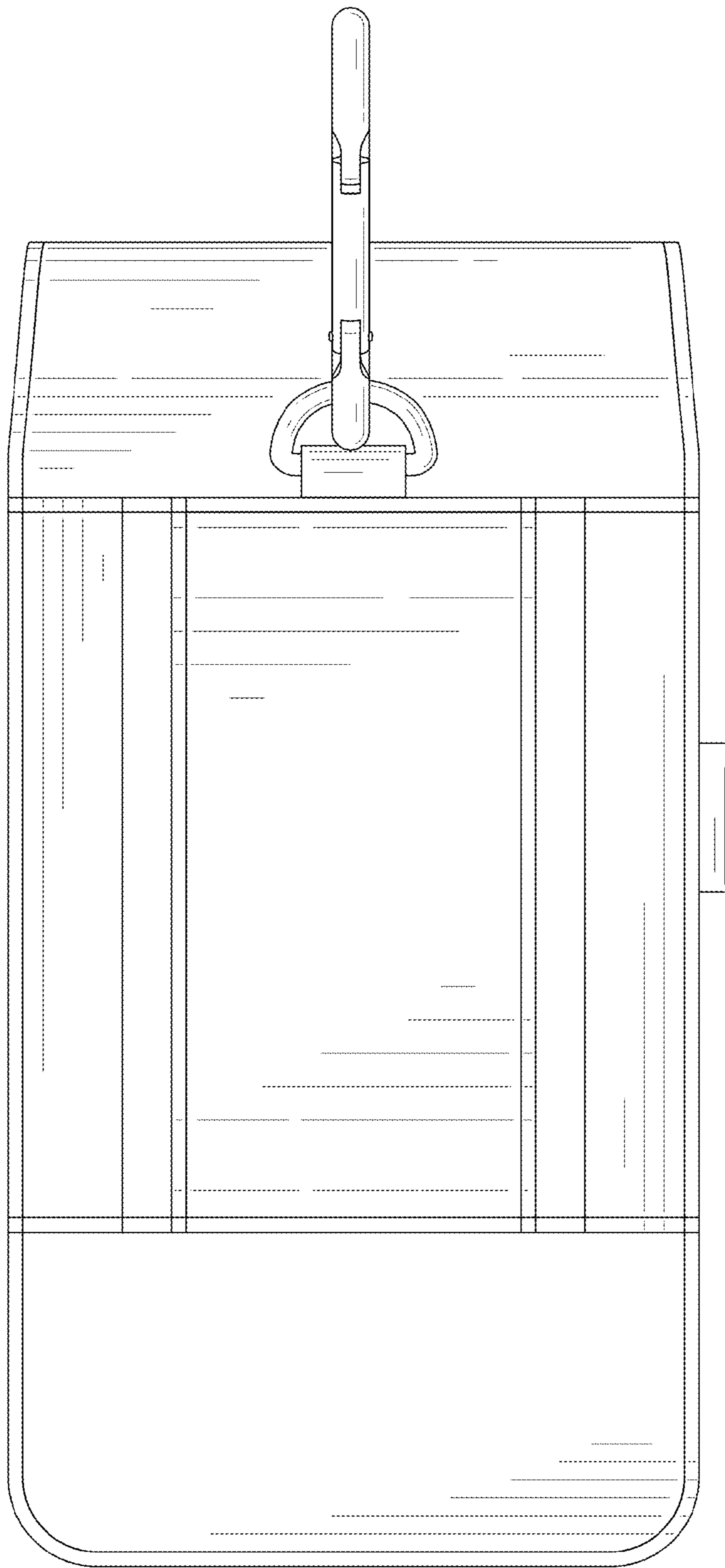


FIG. 4

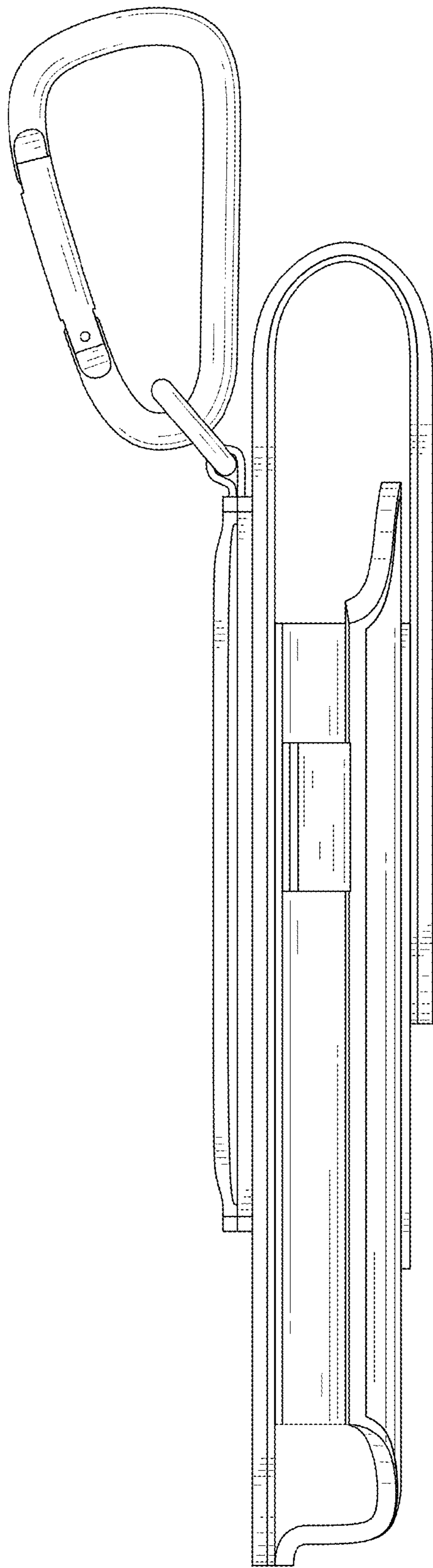


FIG. 5

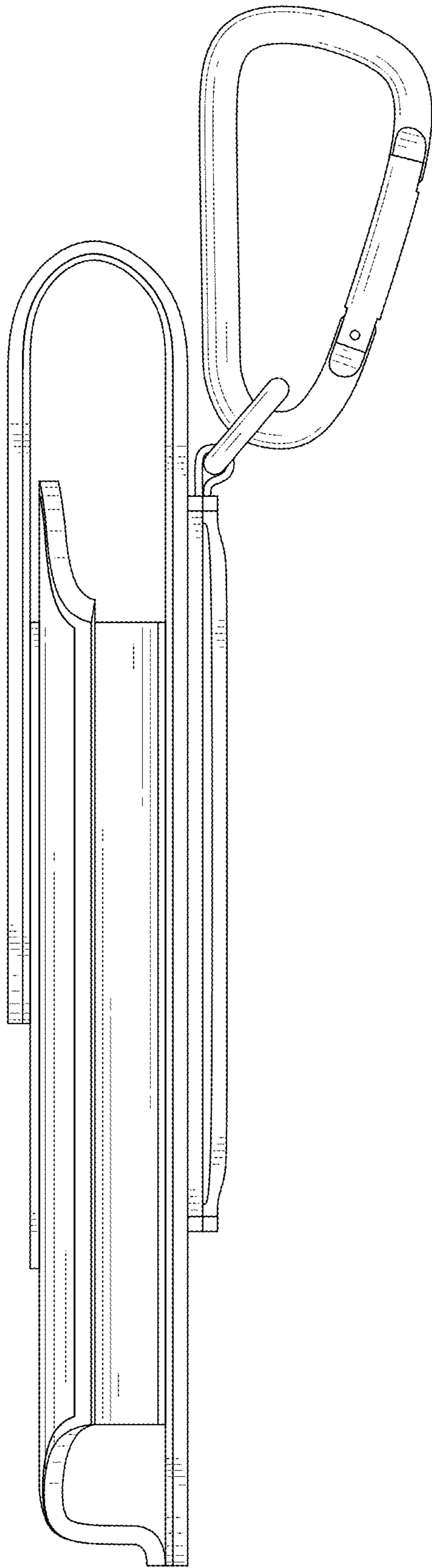


FIG. 6

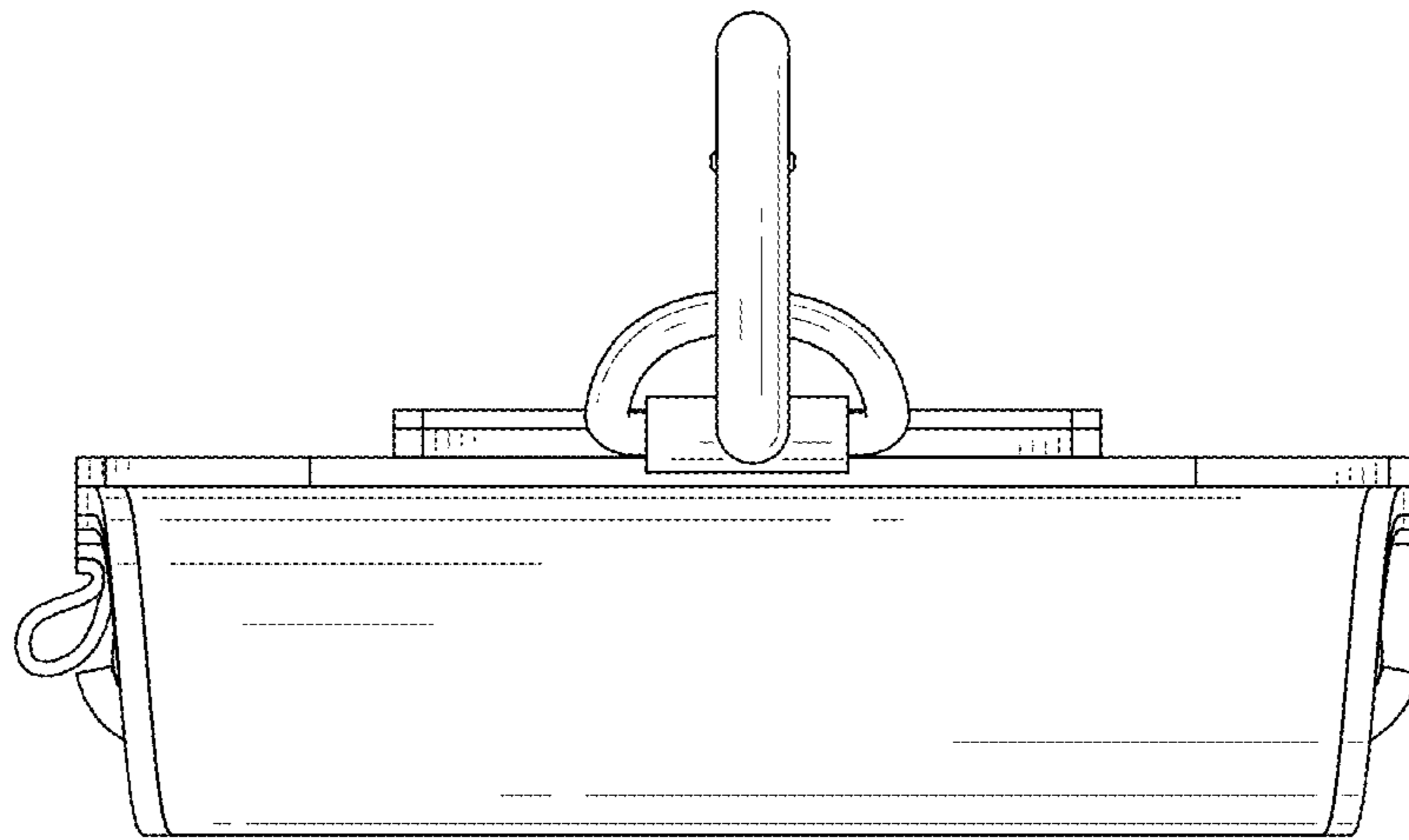


FIG. 7



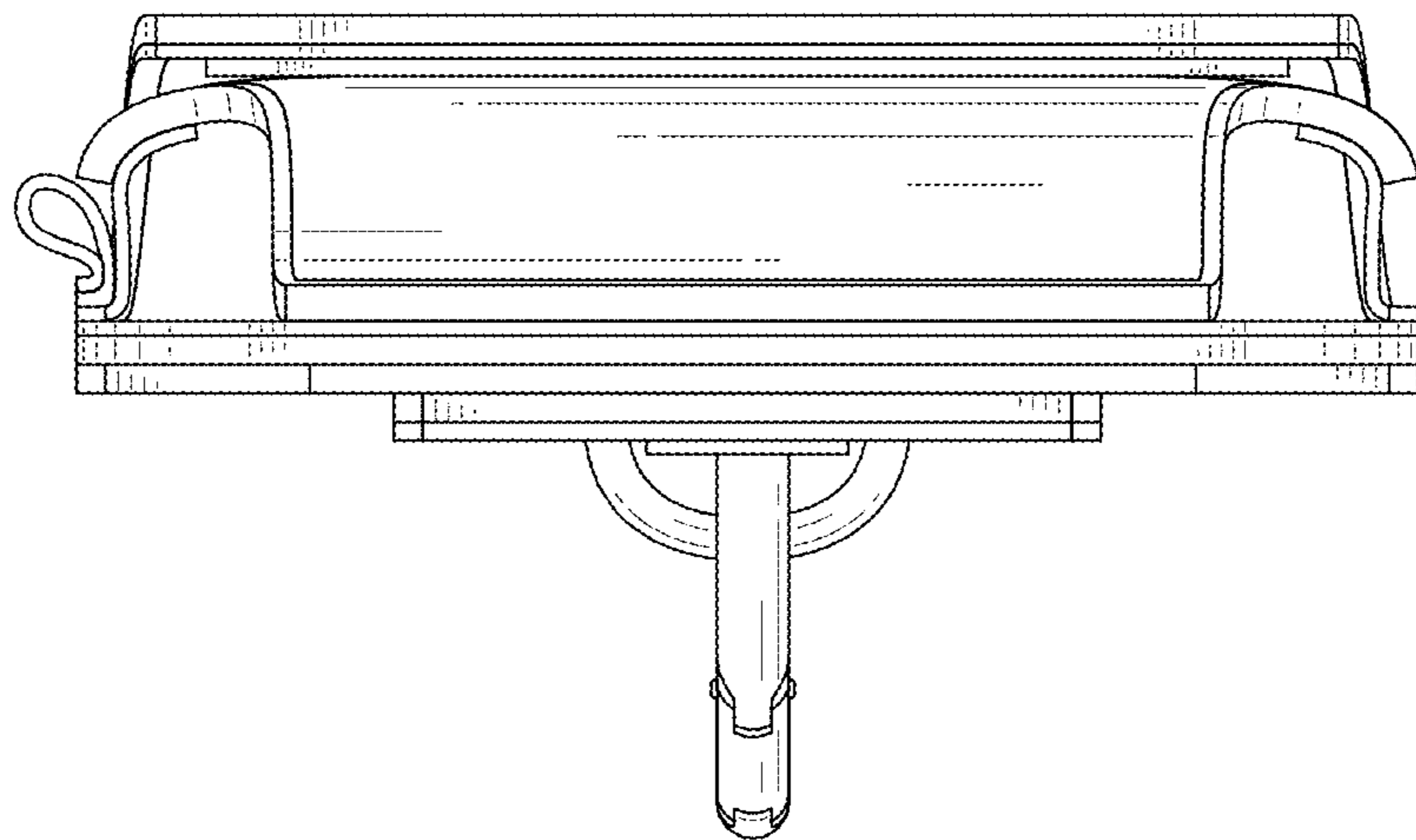


FIG. 8