



US00D935169S

(12) **United States Design Patent** (10) **Patent No.:** **US D935,169 S**
Forsman (45) **Date of Patent:** **** Nov. 9, 2021**

(54) **BACKPACK WITH PACK PANEL**

(71) Applicant: **CamelBak Products, LLC**, Petaluma, CA (US)
(72) Inventor: **Barley A. Forsman**, Cotati, CA (US)
(73) Assignee: **CAMELBAK PRODUCTS, LLC**, Petaluma, CA (US)

(**) Term: **15 Years**
(21) Appl. No.: **29/724,224**
(22) Filed: **Feb. 13, 2020**

Related U.S. Application Data

(62) Division of application No. 29/649,587, filed on May 31, 2018, now Pat. No. Des. 878,053.
(51) **LOC (13) Cl.** **03-01**
(52) **U.S. Cl.**
USPC **D3/217**
(58) **Field of Classification Search**
USPC D3/216–217, 272–273, 279, 294, 318, D3/321, 902, 905
CPC A45F 3/04; A45F 3/14; A45F 3/06; A45F 2003/045
See application file for complete search history.

(56) **References Cited**

U.S. PATENT DOCUMENTS

D508,315 S *	8/2005	Han	D3/216
D699,944 S *	2/2014	Mather	D3/216
D710,085 S *	8/2014	Szewczyk	D3/217
D710,086 S *	8/2014	Szewczyk	D3/217
9,144,255 B1 *	9/2015	Perciballi	A41D 27/00
D758,715 S *	6/2016	Daniel	D3/217
D781,049 S *	3/2017	Kemp	D3/216
9,664,481 B2 *	5/2017	Alcantra	A45F 3/06
D796,188 S *	9/2017	Ho	D3/217
D831,952 S *	10/2018	Pennington	D3/217
10,165,846 B1 *	1/2019	Gordon	A45F 3/047

(Continued)

OTHER PUBLICATIONS

“CamelBak BFM Hydration Pack with 100oz (3.0L) Mil-Spec Crux Reservoir” First Available May 11, 2019, Amazon.com, Site visited Jun. 10, 2021: (Year: 2019) https://www.amazon.com/CamelBak-Hydration-Black-Mil-Spec-Reservoir/dp/B07QLNVVBZ/ref=sr_1_5?dchild=1&keywords=camelbak%2BBFM%E2%84%A2%2B100oz%2BMil%2BSpec%2BCrux&qid=1623172907&sr=8-5&th=1 (Year: 2019).*

Primary Examiner — Jennifer L Watkins
Assistant Examiner — Samantha Lynne Brodowski
(74) *Attorney, Agent, or Firm* — Amardeep S. Grewal; Gerard M. Donovan; Reed Smith LLP

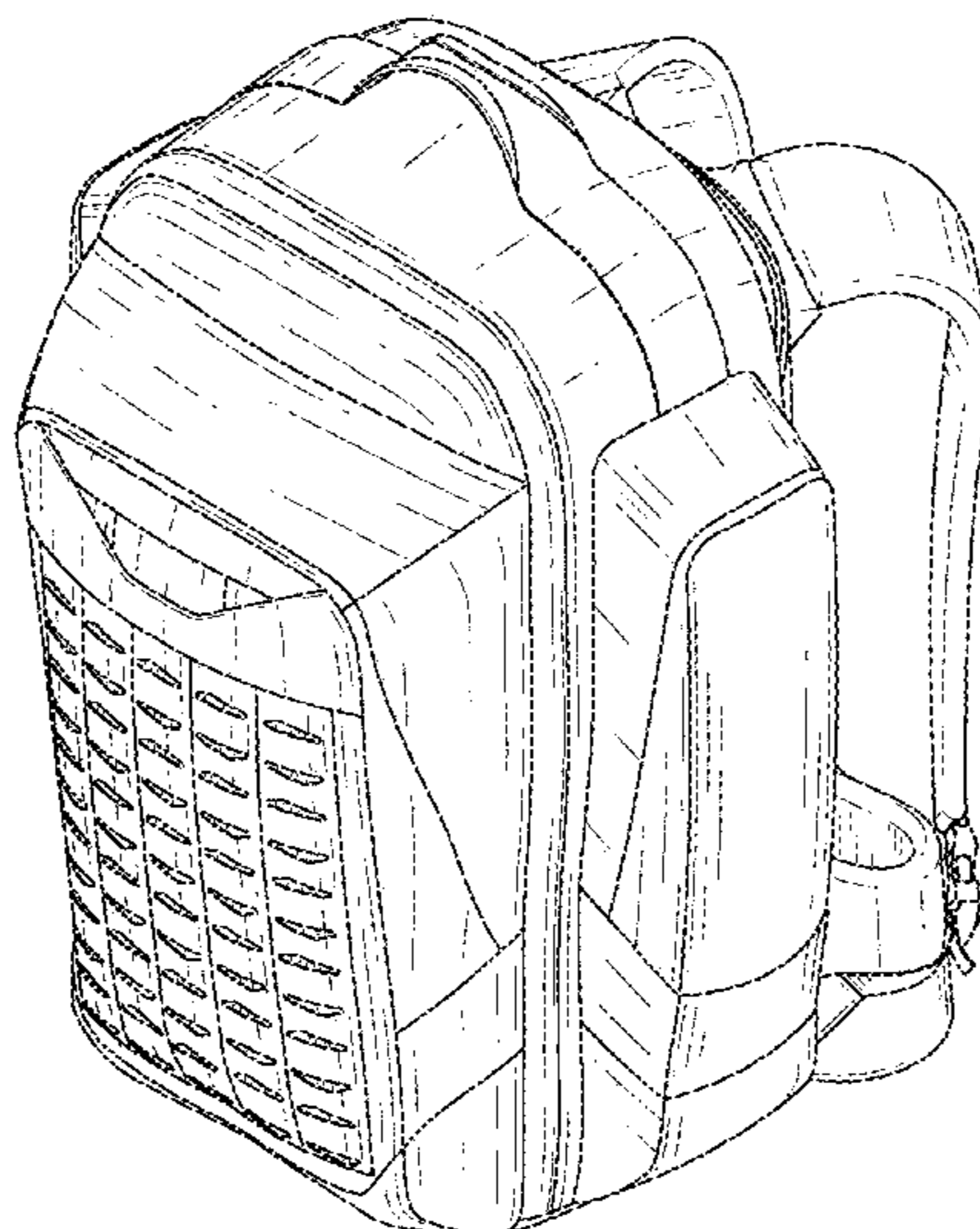
(57) **CLAIM**

The ornamental design for a backpack with pack panel, as shown and described.

DESCRIPTION

FIG. 1 is an isometric view of a backpack with pack panel showing the new design.
FIG. 2 is a first side elevation view of the backpack of FIG. 1.
FIG. 3 is a second side elevation view of the backpack of FIG. 1 taken from the side that is opposite the side shown in FIG. 2.
FIG. 4 is a first end elevation view of the backpack of FIG. 1.
FIG. 5 is a second end elevation view of the backpack of FIG. 1 taken from the end that is opposite the side shown in FIG. 4.
FIG. 6 is a top plan view of the backpack of FIG. 1.
FIG. 7 is a bottom plan view of the backpack of FIG. 1.
FIG. 8 is another isometric view of the backpack of FIG. 1.
FIG. 9 is another isometric view of the backpack of FIG. 1; and,
FIG. 10 is another isometric view of the backpack of FIG. 1.

1 Claim, 10 Drawing Sheets



(56)

References Cited

U.S. PATENT DOCUMENTS

D843,107 S * 3/2019 Swaggart D3/217
D844,975 S * 4/2019 Munie D3/217
D872,992 S * 1/2020 He D3/217
D878,053 S * 3/2020 Forsman D3/318
D880,845 S * 4/2020 Sanz D3/217
D890,517 S * 7/2020 Smith D3/217
D893,168 S * 8/2020 Smith D3/217
D917,159 S * 4/2021 Burkett D3/217
D919,286 S * 5/2021 Rabe D3/217
2011/0204114 A1 * 8/2011 Miller A45F 3/06
224/582
2013/0256498 A1 * 10/2013 Antonioni A47G 29/08
248/560
2013/0292430 A1 * 11/2013 Seuk A45F 3/04
224/148.4
2014/0151424 A1 * 6/2014 Hexels A45F 3/06
224/637
2017/0320286 A1 * 11/2017 Carlson A41D 1/04

* cited by examiner

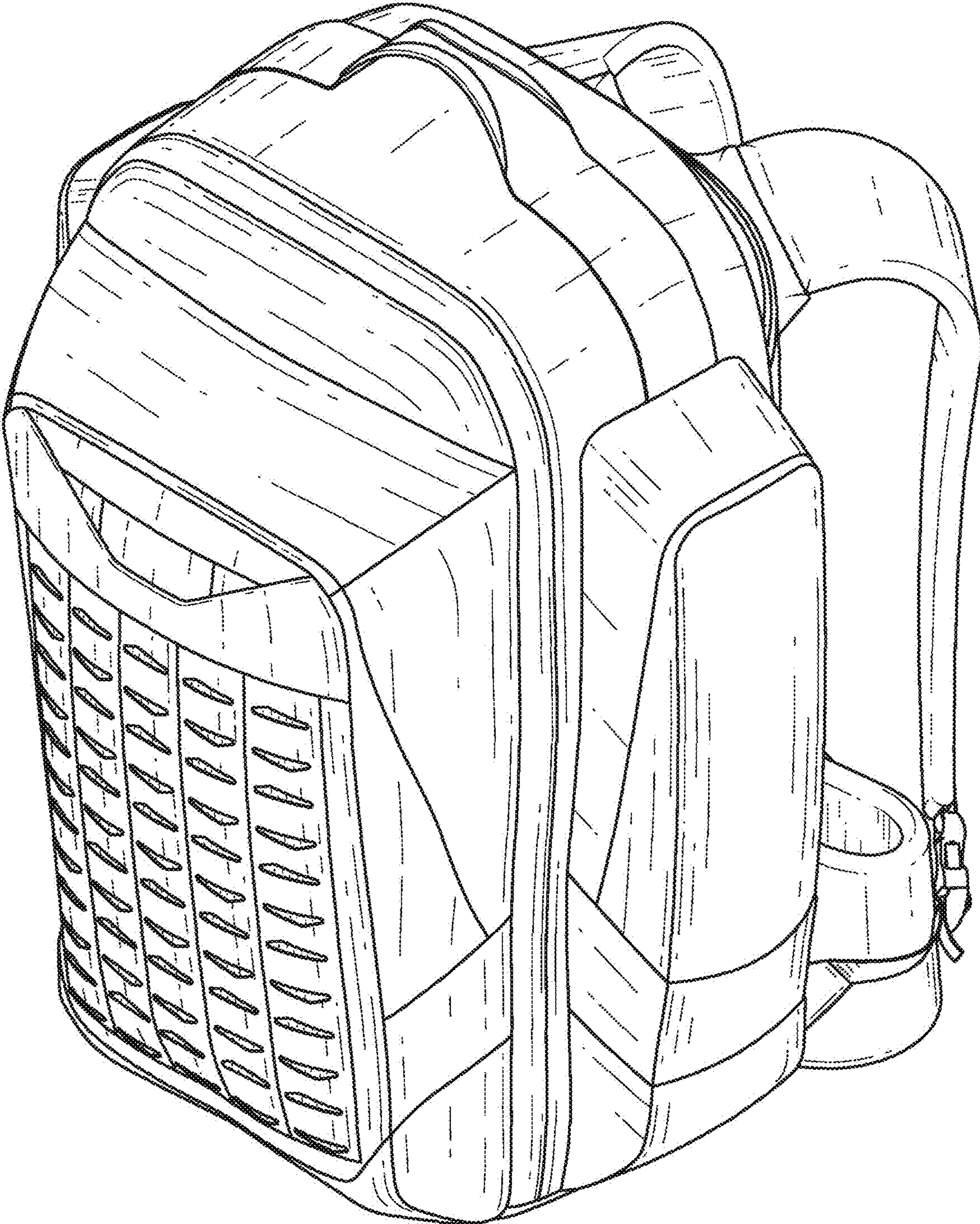


Fig. 1

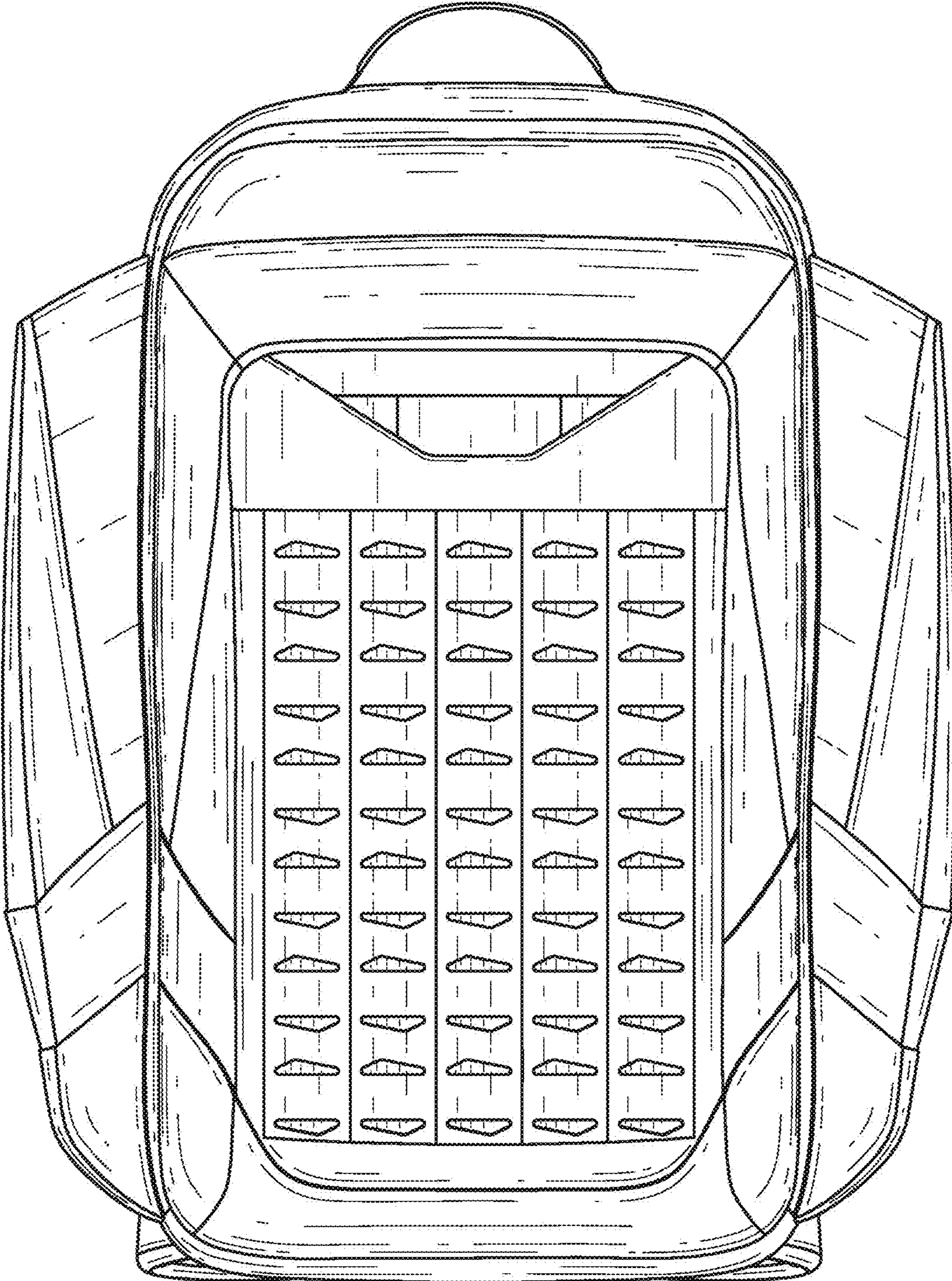


Fig. 2

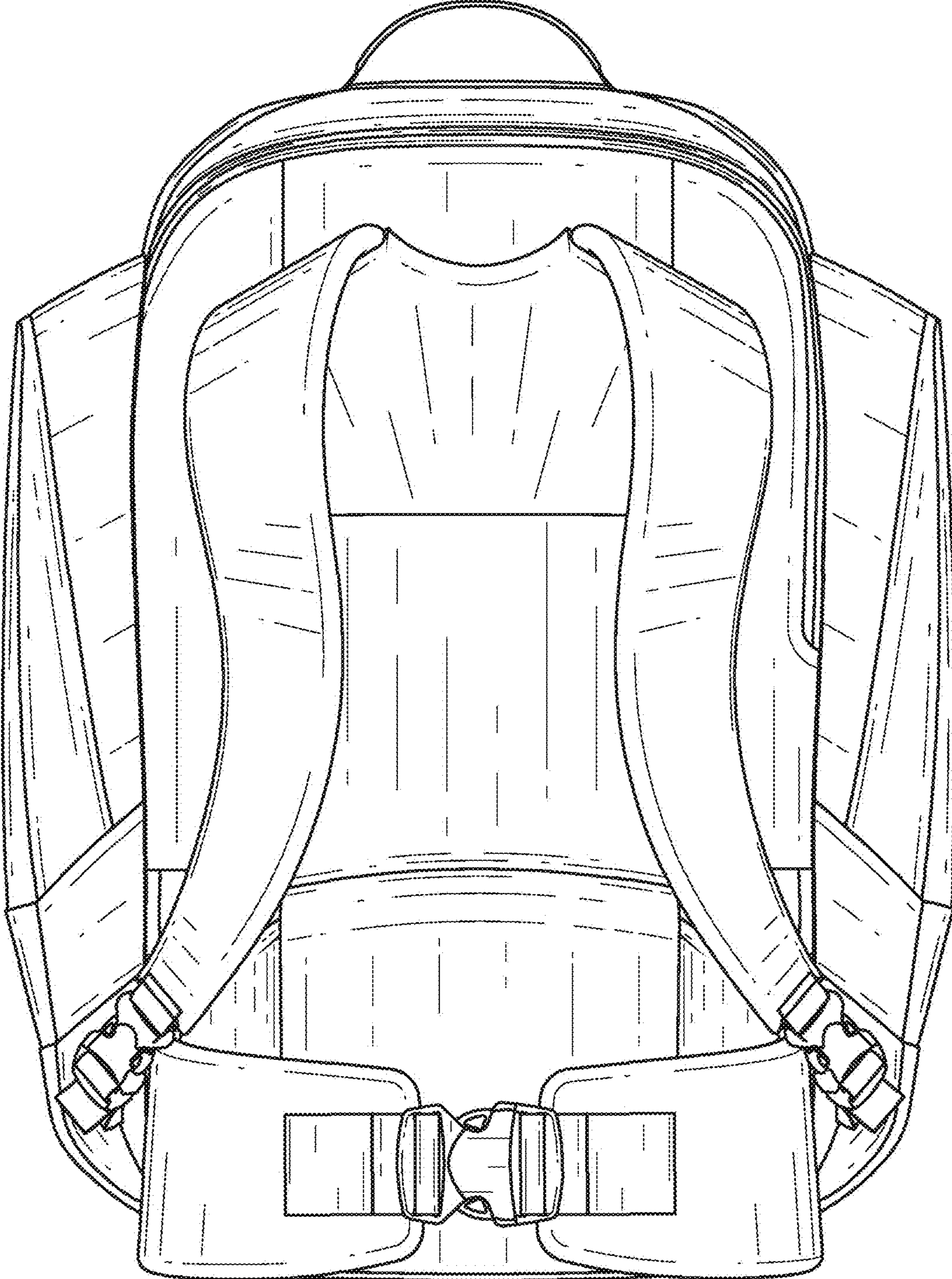


Fig. 3

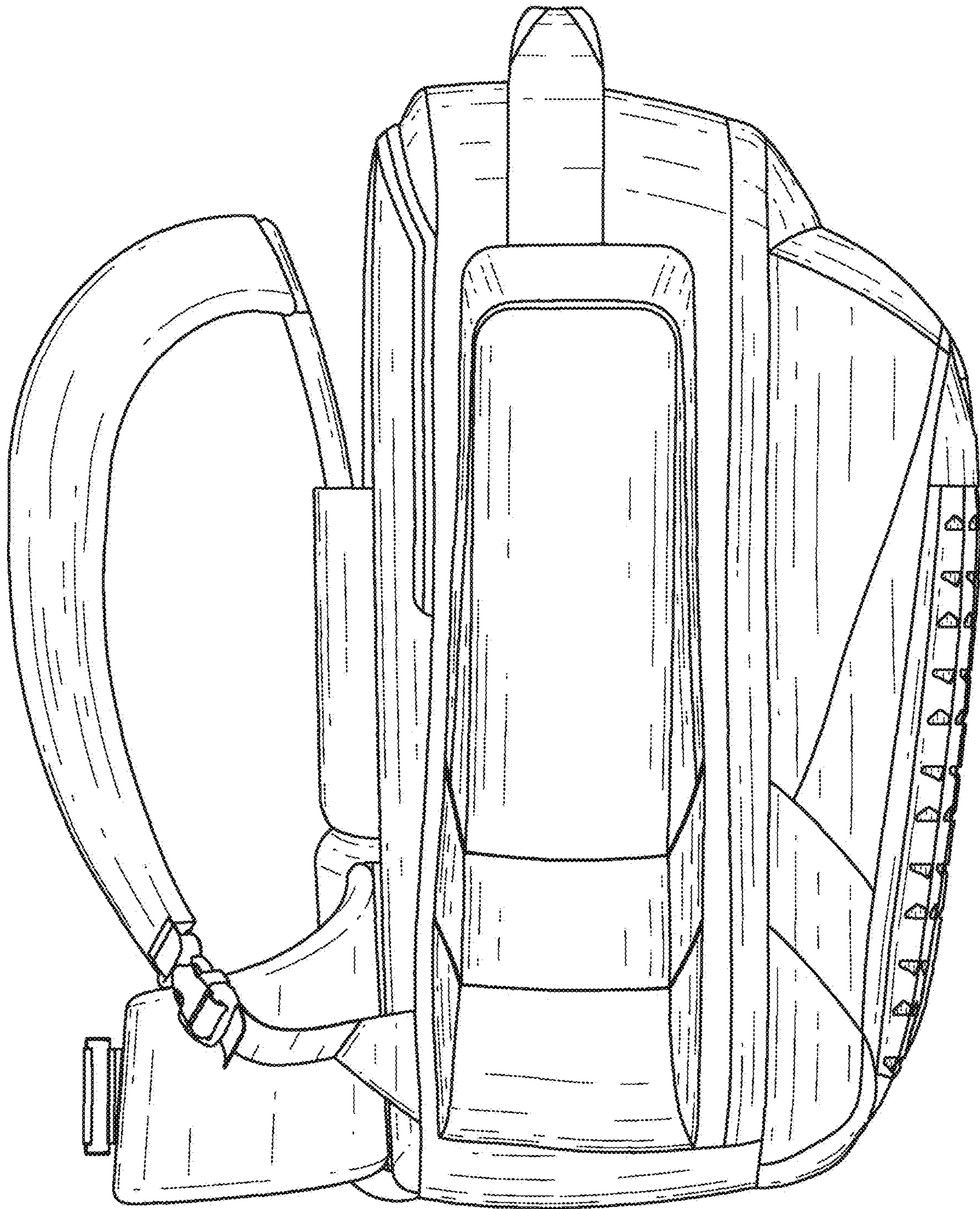


Fig. 4

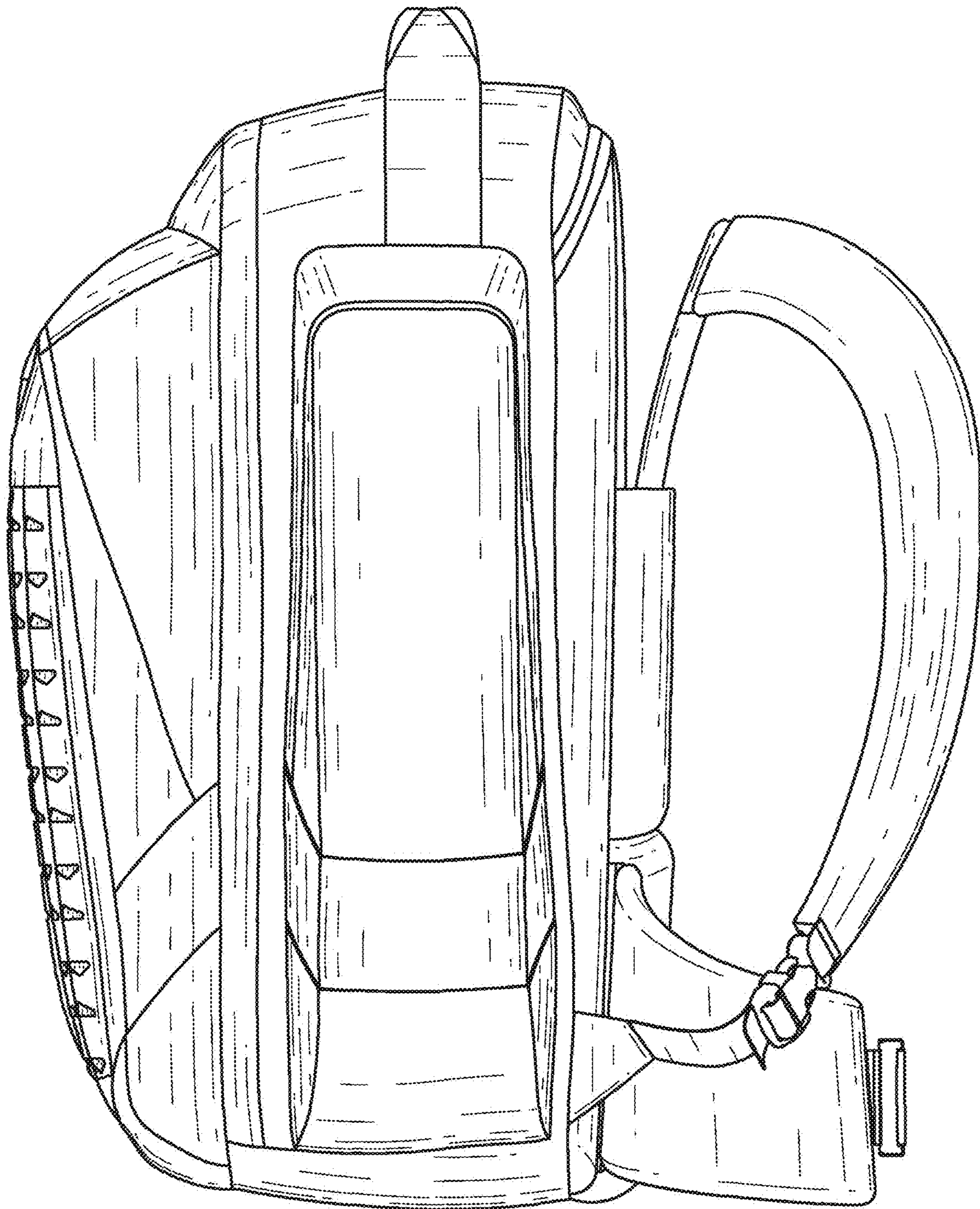


Fig. 5

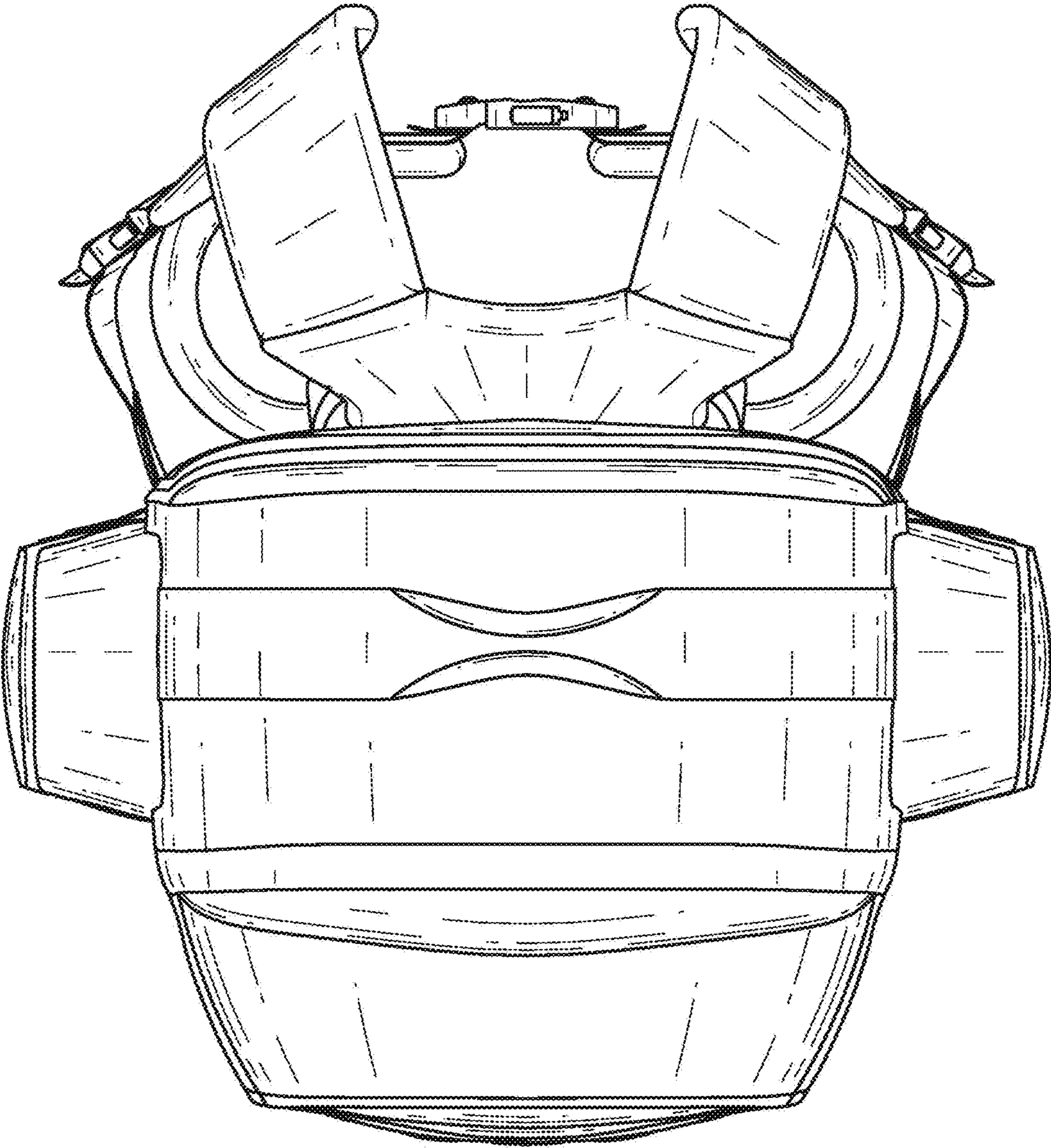


Fig. 6

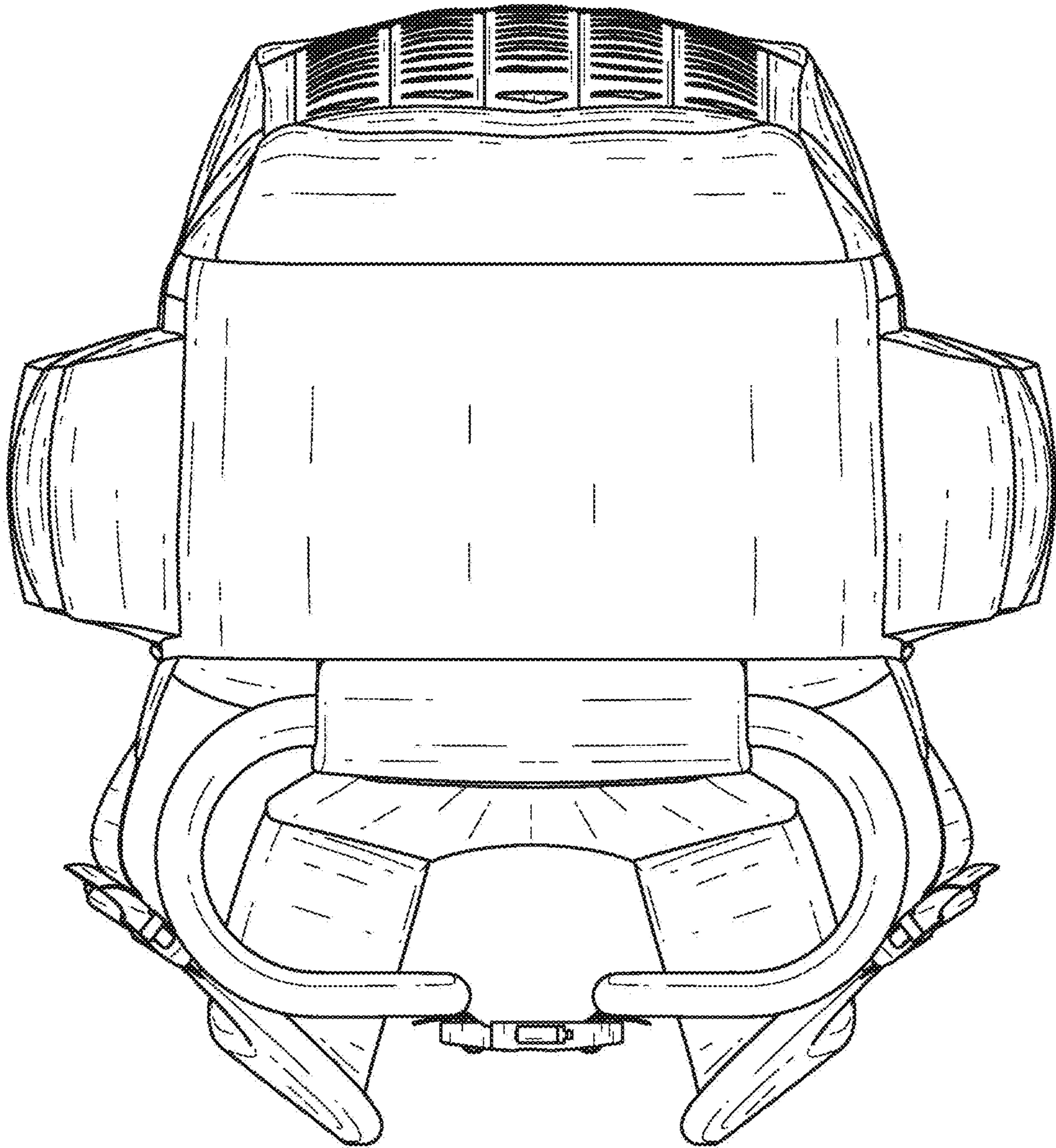


Fig. 7

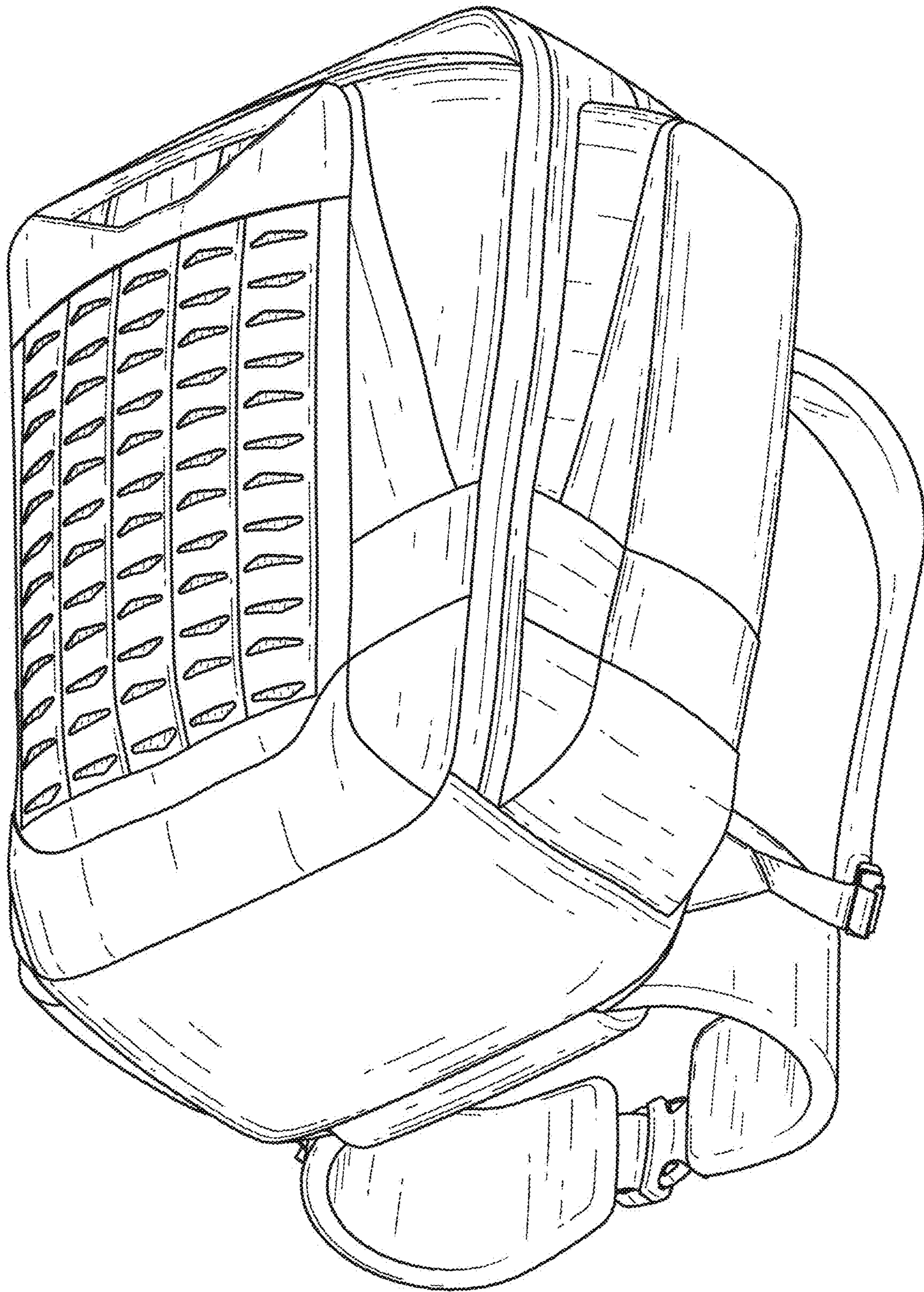


Fig. 8

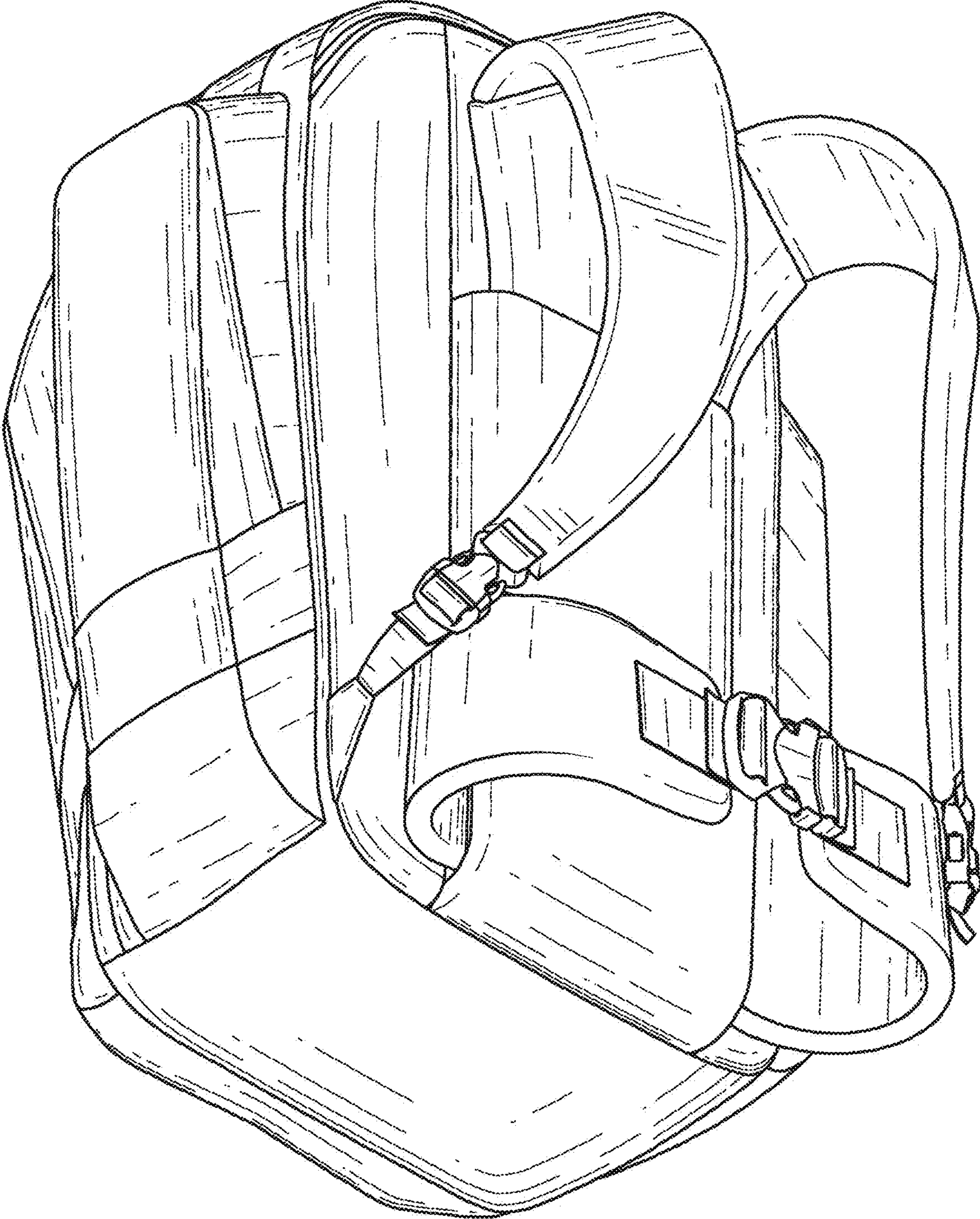


Fig. 9

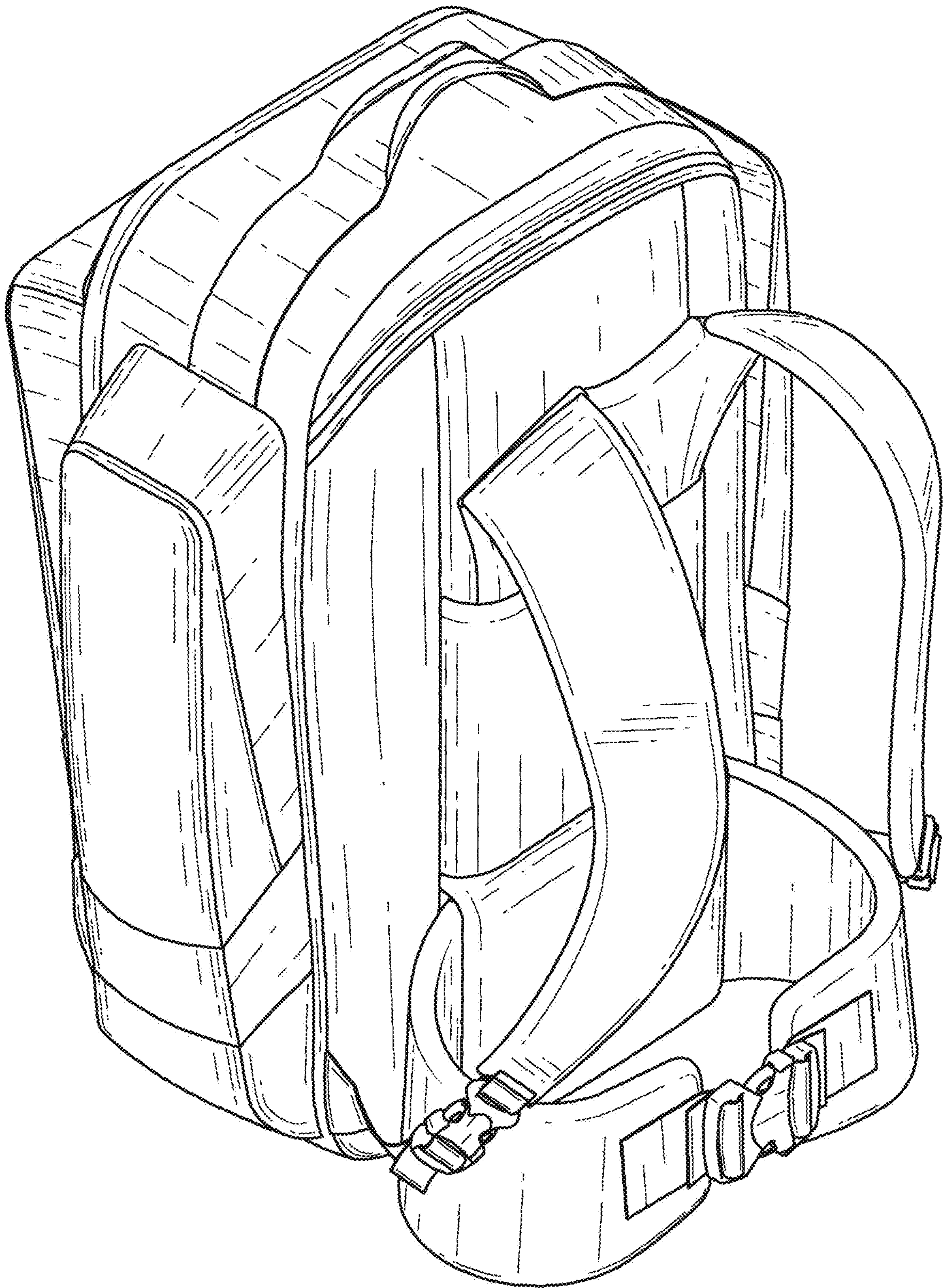


Fig. 10