



US00D935167S

(12) **United States Design Patent** (10) **Patent No.:** **US D935,167 S**
Chen (45) **Date of Patent:** **** Nov. 9, 2021**

(54) **PILL BOX**

FOREIGN PATENT DOCUMENTS

(71) Applicant: **Changsha Yuwen Network Technology Co., Ltd.**, Changsha (CN)

CN 305924600 * 7/2020
EM 005233574-0001 * 4/2018

(72) Inventor: **Junyuan Chen**, Changsha (CN)

OTHER PUBLICATIONS

(73) Assignee: **CHANGSHA YUWEN NETWORK TECHNOLOGY CO., LTD.**, Changsha (CN)

AUVON Weekly Pill Organizer 3-Times-A-Day, first available May 13, 2020, amazon.com [online], [site visited Aug. 24, 2021], Available at internet URL: <https://www.amazon.com/dp/B088K5YND8> (Year: 2020).*

(**) Term: **15 Years**

(Continued)

(21) Appl. No.: **29/741,601**

Primary Examiner — Jeffrey D Asch
Assistant Examiner — Caitlin A Laverty

(22) Filed: **Jul. 14, 2020**

(74) *Attorney, Agent, or Firm* — IPro, PLLC

(51) **LOC (13) Cl.** **03-01**

(52) **U.S. Cl.**

(57) **CLAIM**

USPC **D3/203.3**

The ornamental design for a pill box, as shown and described.

(58) **Field of Classification Search**

DESCRIPTION

USPC D3/201, 203.1–203.8, 206, 273–274,
D3/294–298, 304, 313–314, 901, 903;
D7/589; D9/730, 732, 737, 756,
D9/759–760; D21/369, 372–373,
D21/392–397; D28/73

FIG. 1 is a front view of an ornamental design for a pill box showing my new design;

CPC A61J 1/00; A61J 1/03; A61J 7/00; A61J
7/02; A61J 7/04; A61J 7/0481; A61J
7/0084; B65B 1/04; B65D 1/00; B65D
1/36; B65D 83/04; B65D 83/0445; B65D
83/0481; B65D 43/16; B65D 43/161;
B65D 43/162; B65D 2583/04; A63F 9/04;
A63F 11/00; A63F 2003/00772–00791;
A63F 2003/00943; F21V 33/00

FIG. 2 is a rear view of the pill box;

FIG. 3 is a left side view of the pill box;

FIG. 4 is a right side view of the pill box;

FIG. 5 is a top view of the pill box;

FIG. 6 is a bottom view of the pill box;

FIG. 7 is a front and right side perspective view of the pill box;

FIG. 8 is a rear and left side perspective view of the pill box; and,

FIG. 9 is a front and right side perspective view of the pill box in its open state.

The broken lines in the figures are for environmental purposes only and form no part of the claimed design.

Any shading and cross-hatching are not features of the design but are utilized to illustrate the surface contours of the pill box in the drawings.

See application file for complete search history.

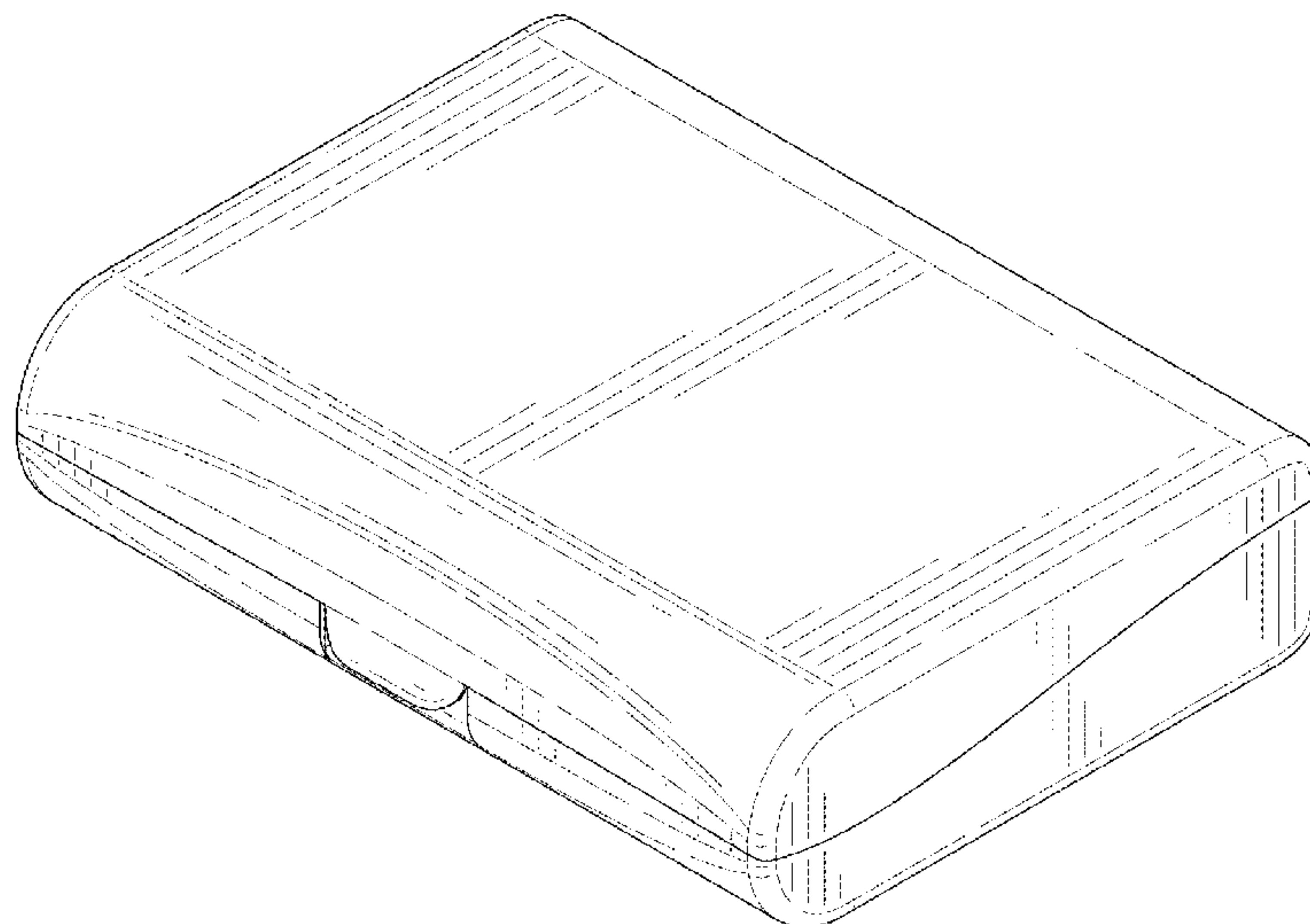
(56) **References Cited**

U.S. PATENT DOCUMENTS

D324,819 S * 3/1992 Eisenberg D24/229
D403,158 S * 12/1998 Au D3/294
D449,165 S * 10/2001 van der Hulst D3/294
D462,224 S * 9/2002 Bellin D6/407

(Continued)

1 Claim, 9 Drawing Sheets



(56)

References Cited

U.S. PATENT DOCUMENTS

D516,801 S * 3/2006 Jones, III D3/203.2
D527,182 S * 8/2006 Ham D3/274
D592,398 S * 5/2009 Roesler D3/294
D592,399 S * 5/2009 Sage D3/295
D633,712 S * 3/2011 Everette D3/203.1
D634,538 S * 3/2011 Dumas D3/203.5
D666,811 S * 9/2012 Yang D3/247
D672,952 S * 12/2012 Yang D3/247
D675,434 S * 2/2013 Vernall D3/294
D795,874 S * 8/2017 Szeremeta D14/432
D805,774 S * 12/2017 Sun D3/294
D823,593 S * 7/2018 Giannopoulos D3/203.1
D846,264 S * 4/2019 Wu D3/201
D876,821 S * 3/2020 Lee D3/203.3
D882,262 S * 4/2020 Zhang D3/294
D895,958 S * 9/2020 Guo D3/203.3
D896,501 S * 9/2020 Guo D3/203.3
D899,200 S * 10/2020 Xu D7/629
D911,020 S * 2/2021 Lee D3/203.2
10,925,810 B2 * 2/2021 French A61J 7/0481
2004/0020814 A1 * 2/2004 Mousset A61B 50/31
206/438
2015/0283036 A1 * 10/2015 Aggarwal A61J 7/0069
206/534
2016/0101909 A1 * 4/2016 Schennum B65D 43/16
206/266
2020/0317392 A1 * 10/2020 Stahl B65D 25/04

OTHER PUBLICATIONS

AUVON Pill Box 2 Times a Day, first available Sep. 3, 2018, amazon.com [online], [site visited Aug. 24, 2021], Available at internet URL: <https://www.amazon.com/dp/B07H2GM46Y> (Year: 2018).*

* cited by examiner

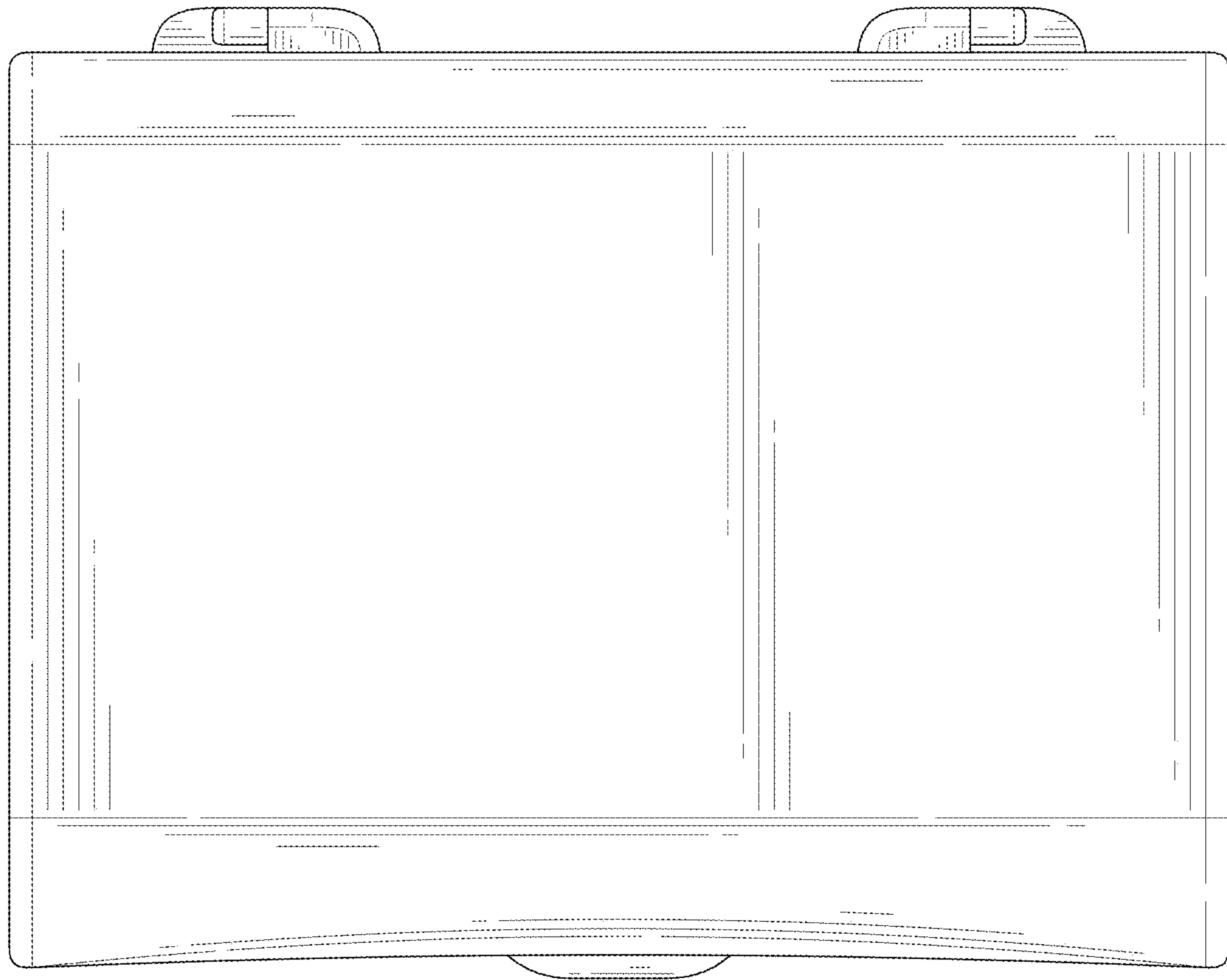


FIG. 1

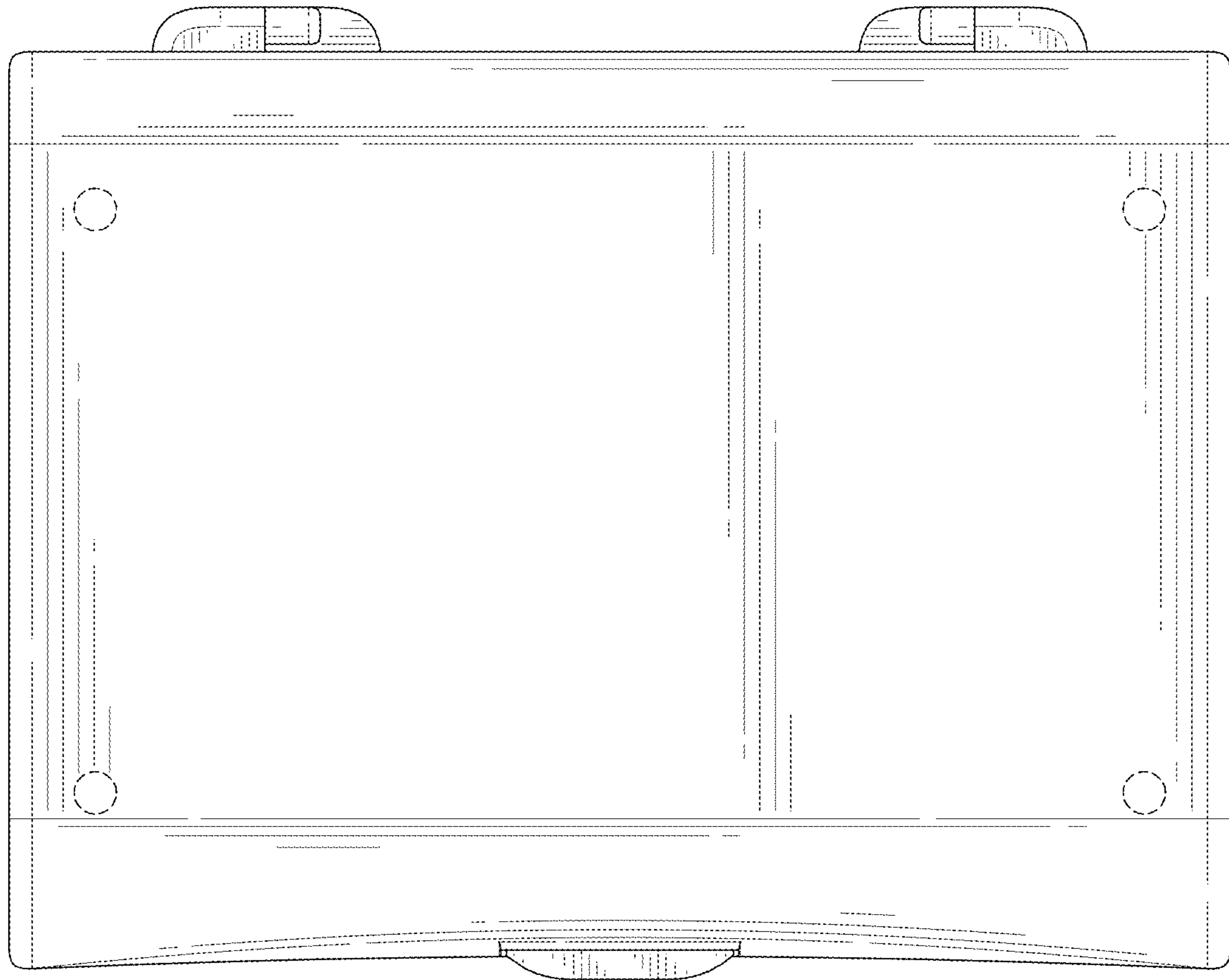


FIG. 2

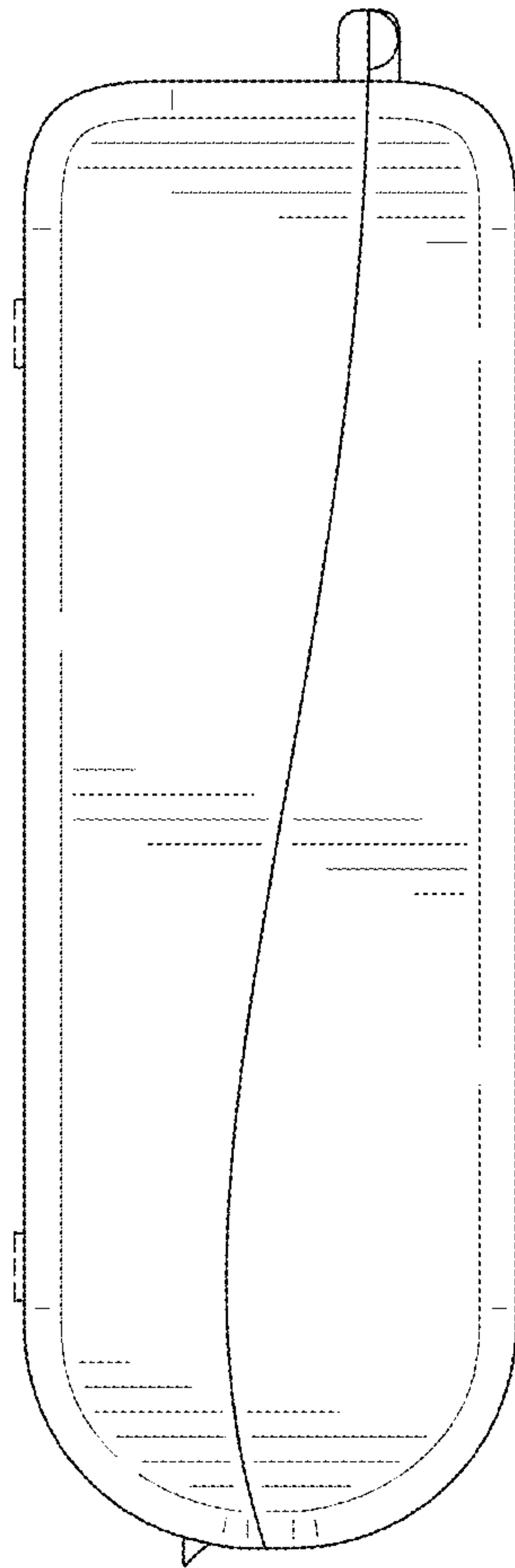


FIG. 3

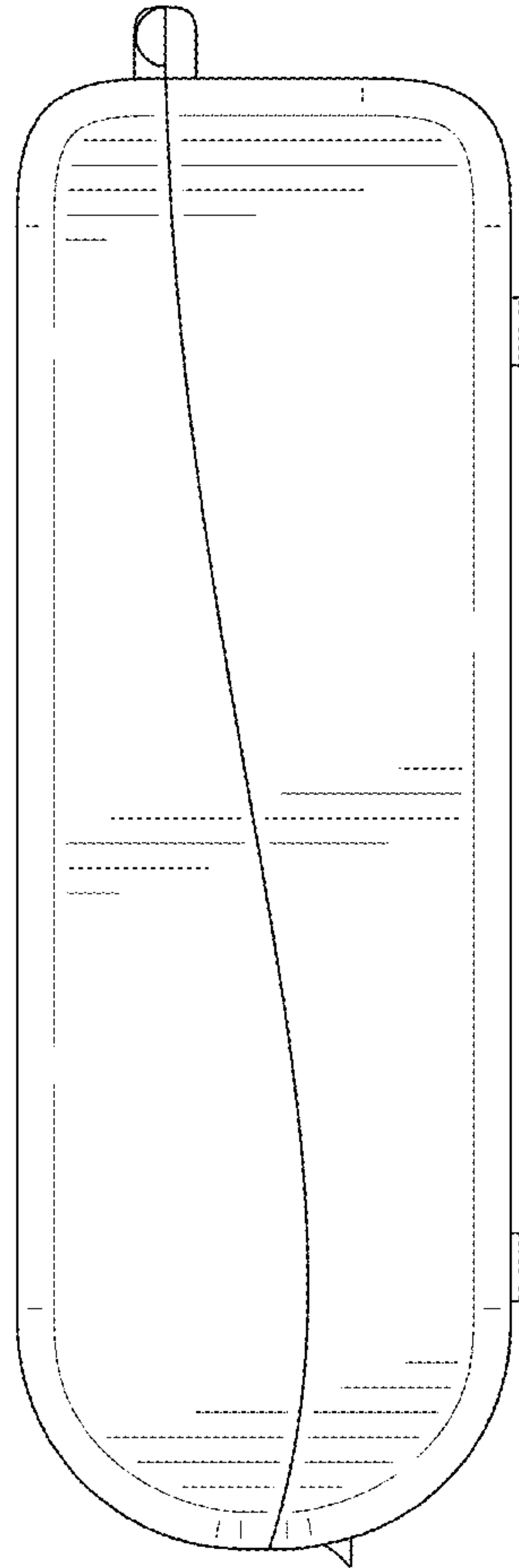


FIG. 4

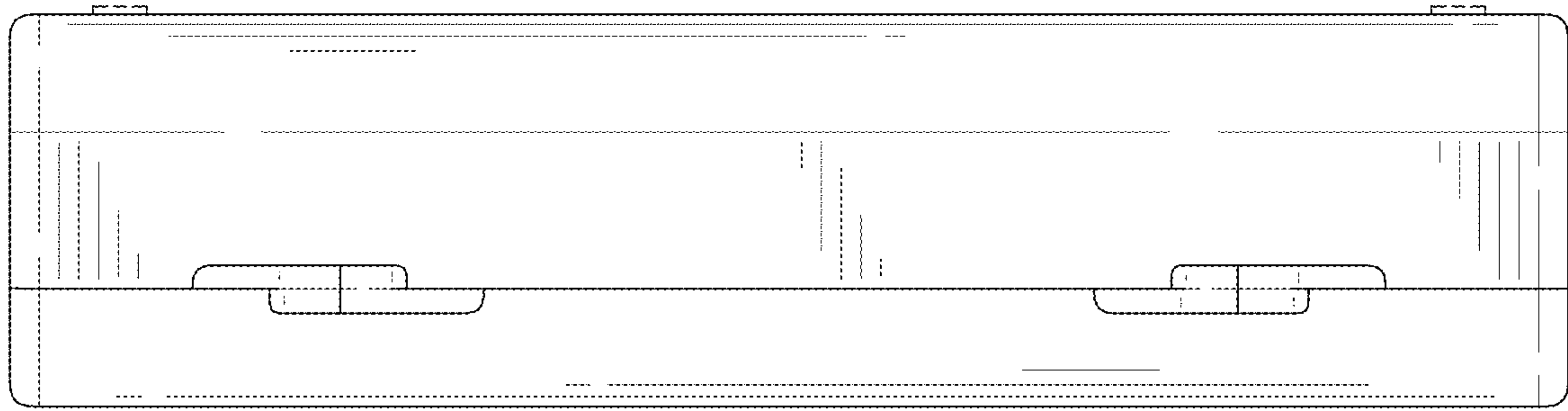


FIG. 5

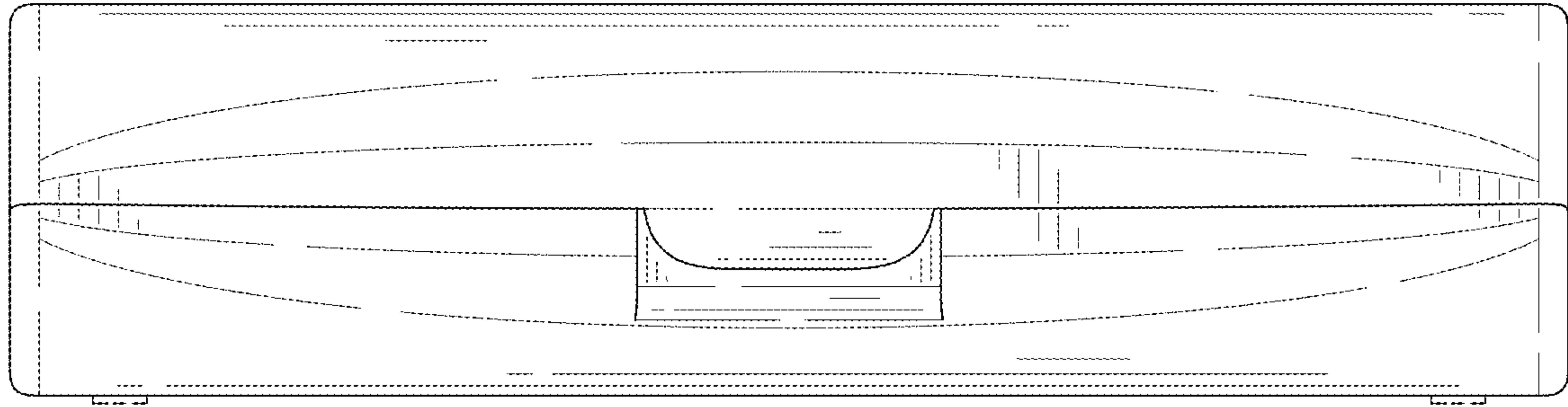


FIG. 6

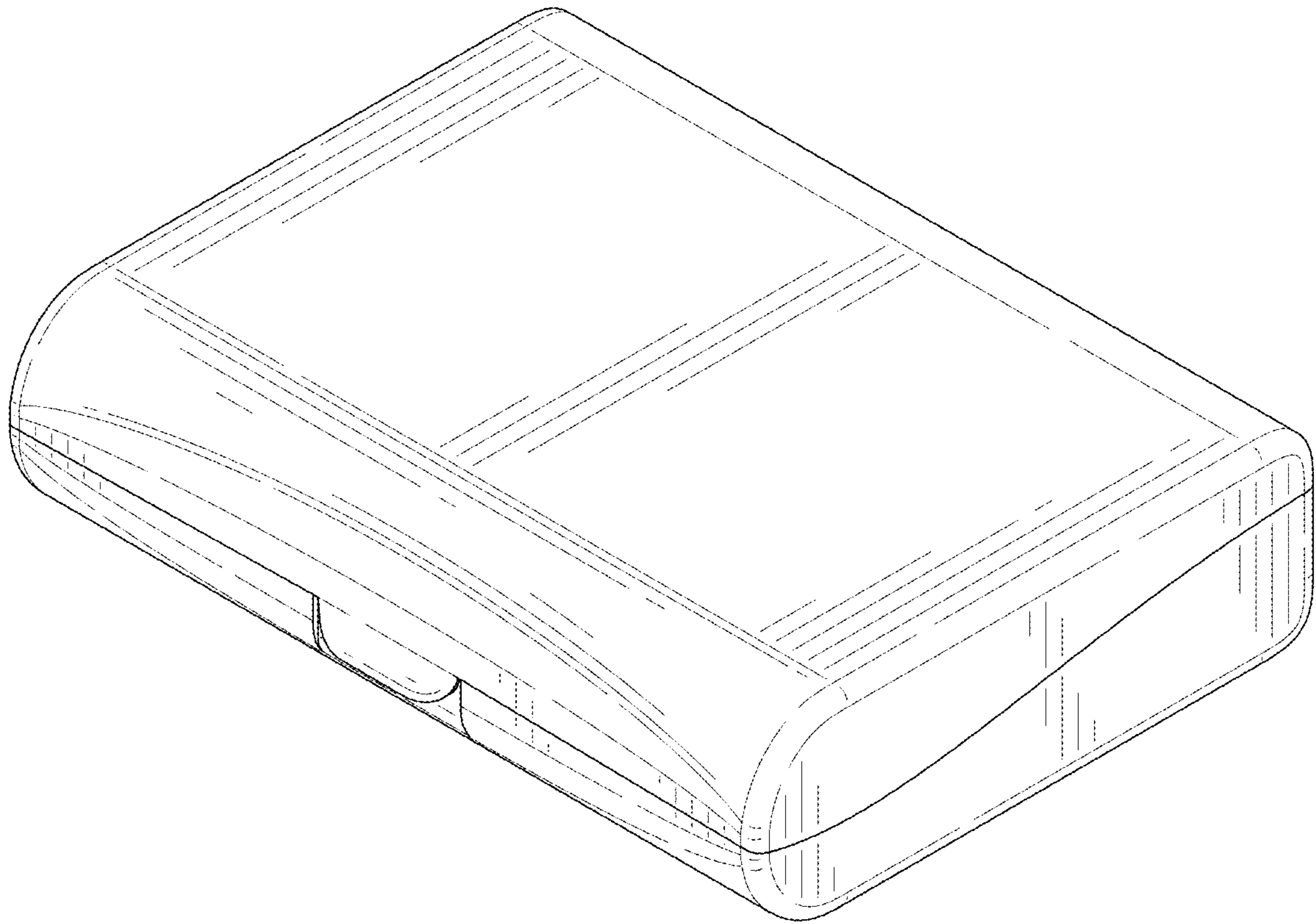


FIG. 7

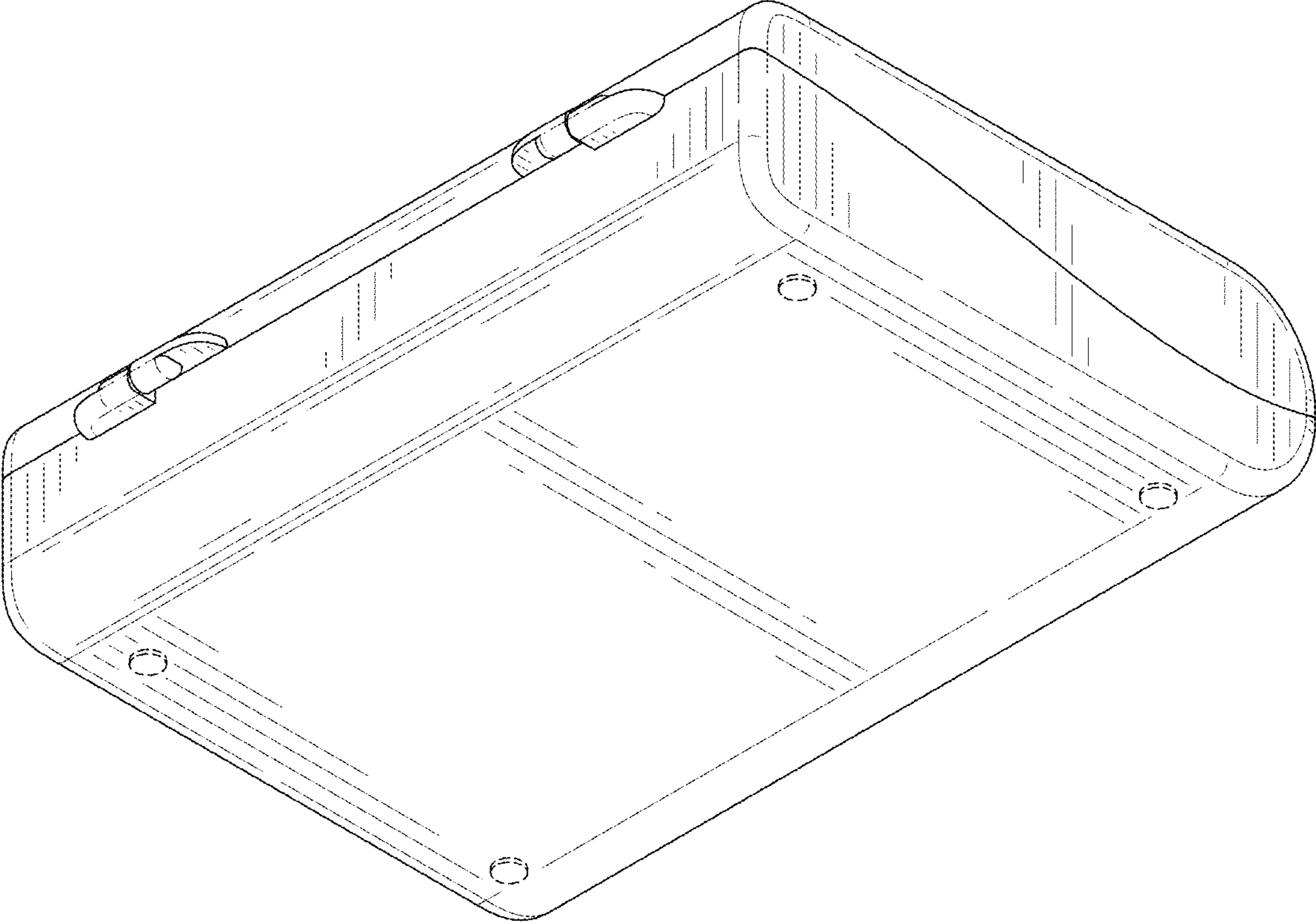


FIG. 8

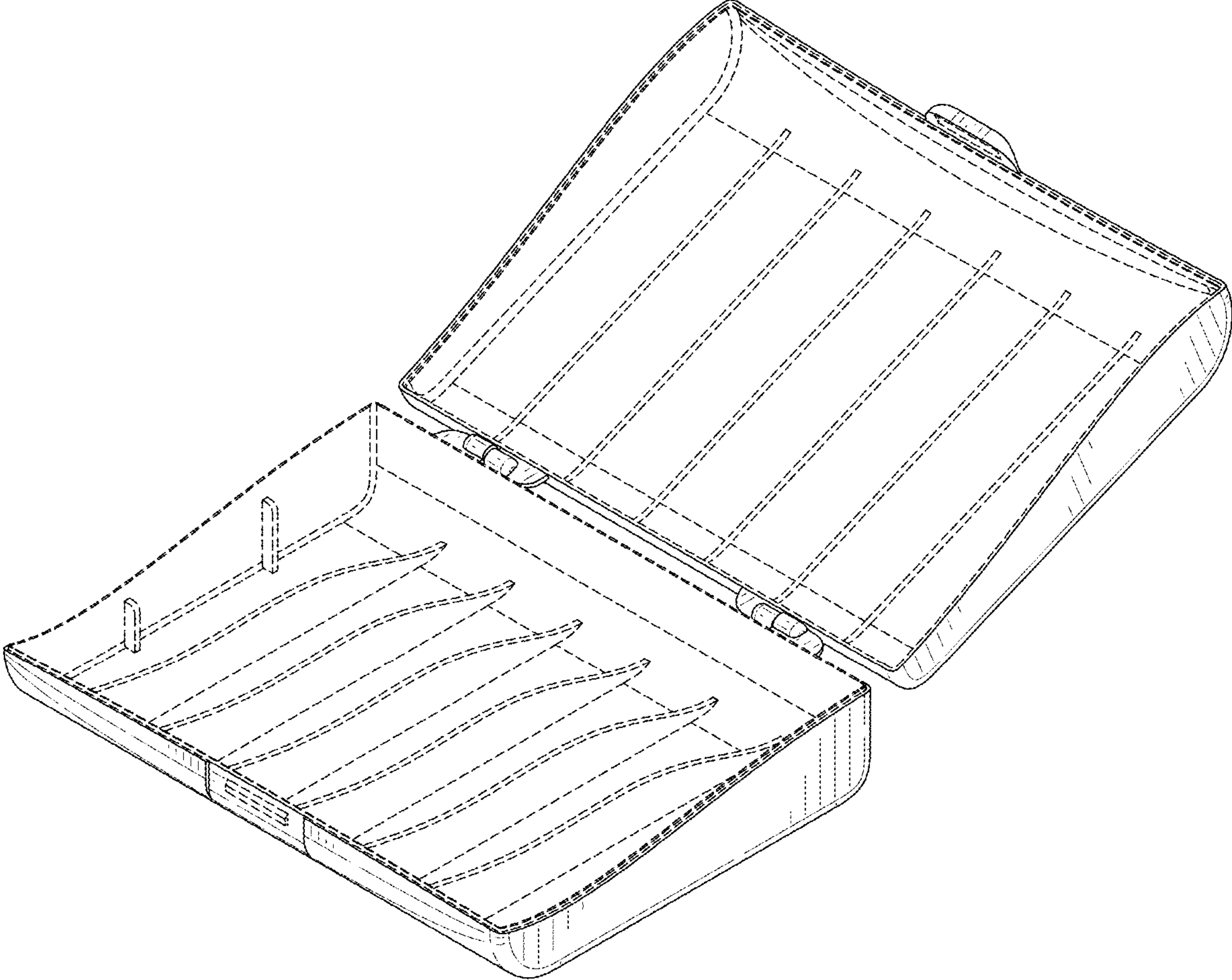


FIG. 9