



US00D935165S

(12) **United States Design Patent** (10) **Patent No.:** **US D935,165 S**
Hendrickson (45) **Date of Patent:** **** Nov. 9, 2021**

(54) **STORAGE CONTAINER**

(71) Applicant: **Dwight Hendrickson**, Mcdonough, GA (US)

(72) Inventor: **Dwight Hendrickson**, Mcdonough, GA (US)

(**) Term: **15 Years**

(21) Appl. No.: **29/762,466**

(22) Filed: **Dec. 16, 2020**

(51) **LOC (13) Cl.** **03-01**

(52) **U.S. Cl.**
USPC **D3/201; D3/316**

(58) **Field of Classification Search**

USPC D3/201, 205, 269, 272, 273, 274, 275, D3/276, 281, 284, 292, 294, 316; D9/414, 418, 420-423, 432, 538; D7/509, 615
CPC .. A45C 5/00; A45C 5/04; A45C 11/00; A45C 11/16

See application file for complete search history.

(56) **References Cited**

U.S. PATENT DOCUMENTS

D244,259 S	5/1977	Bergstein	
4,850,496 A	7/1989	Rudell et al.	
D361,432 S *	8/1995	Lotti	D3/205
D501,793 S	2/2005	Carmichael et al.	
D523,753 S *	6/2006	Corker	D9/538
D526,190 S *	8/2006	Bolt	D9/418
D527,252 S *	8/2006	Bolt	D9/418
7,523,716 B2	4/2009	Vadis	
D591,507 S *	5/2009	Mowe	D3/269
D591,589 S *	5/2009	Myers	D7/615
D655,569 S *	3/2012	Lipson	D7/509
D880,713 S *	4/2020	Sedic	D24/215
D918,433 S *	5/2021	Koptis	D26/9

2003/0150867 A1	8/2003	Wilson et al.
2007/0158352 A1	7/2007	Cheng
2014/0367294 A1	12/2014	Pantelleria
2015/0344180 A1	12/2015	Divani

FOREIGN PATENT DOCUMENTS

KR	20020048359 A	6/2002
KR	20140137136 A	12/2012
WO	DM/205 618	12/2019

* cited by examiner

Primary Examiner — Holly E Thurman

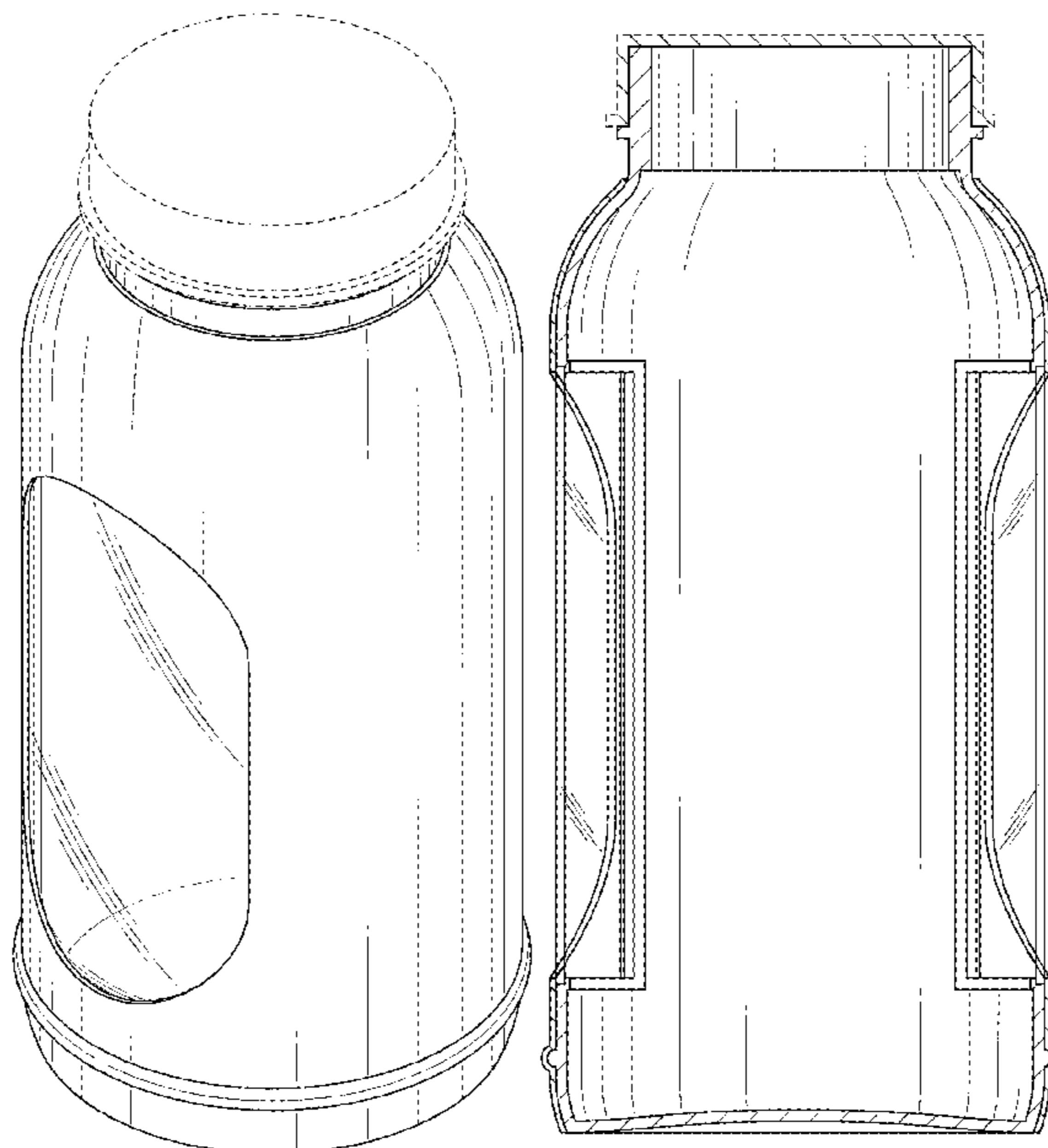
(57) **CLAIM**

The ornamental design for a storage container, as shown and described.

DESCRIPTION

FIG. 1 is a top front perspective view of a storage container showing my new design;
FIG. 2 is a bottom rear perspective view thereof;
FIG. 3 is a front elevated view thereof;
FIG. 4 is a rear elevated view thereof;
FIG. 5 is a top plan view thereof;
FIG. 6 is a bottom plan view thereof;
FIG. 7 is a right elevated view thereof;
FIG. 8 is a left elevated view thereof;
FIG. 9 is a vertical cross-sectional view taken in the direction of line 9-9 in FIG. 4;
FIG. 10 is a vertical cross-sectional view taken in the direction of line 10-10 in FIG. 7;
FIG. 11 is a horizontal cross-sectional view taken in the direction of line 11-11 in FIG. 8; and,
FIG. 12 is a top front perspective view thereof, showing the storage container in a closed configuration.
The broken lines showing of a lid in FIGS. 1-5, 7-10, and 12 are included for the purpose of showing environmental structure and form no part of the claimed design.

1 Claim, 12 Drawing Sheets



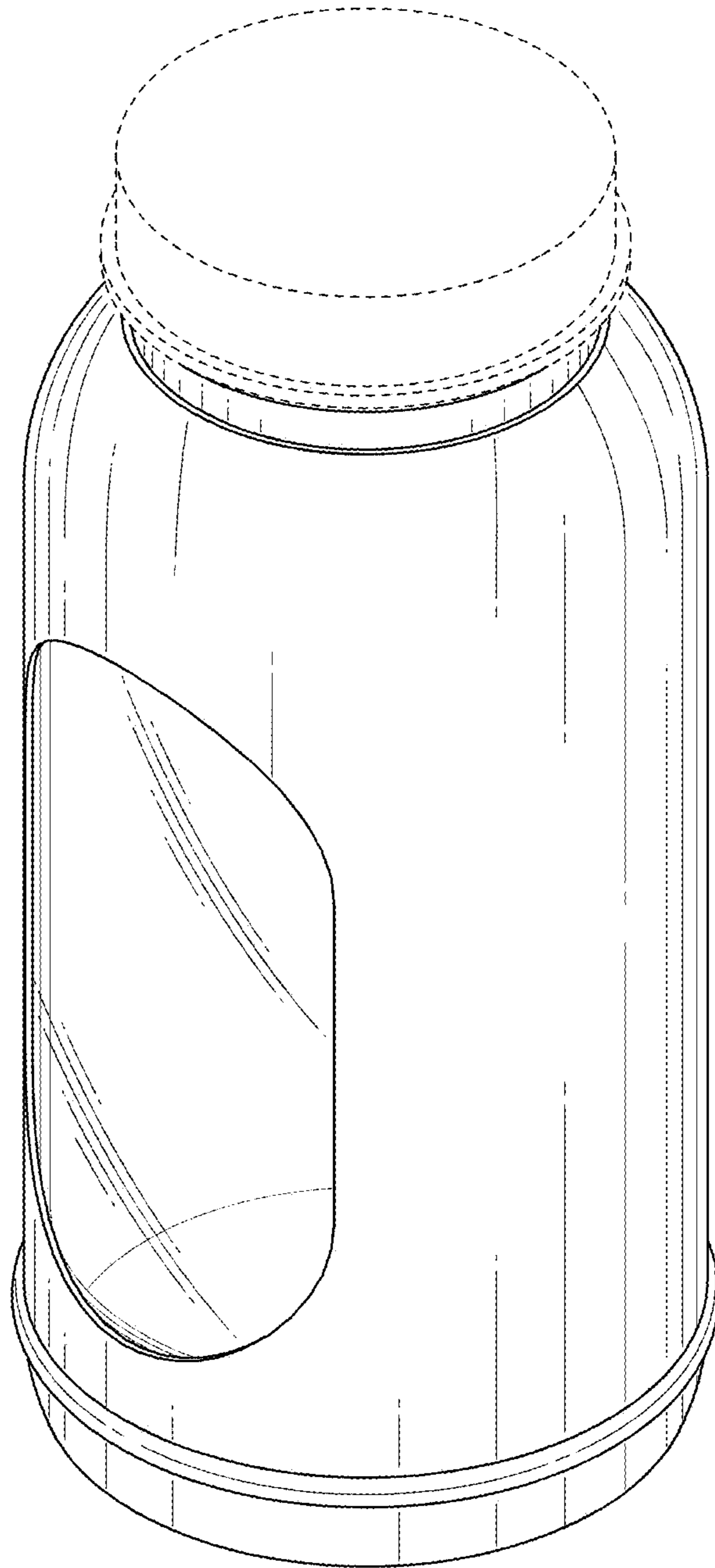


FIG. 1

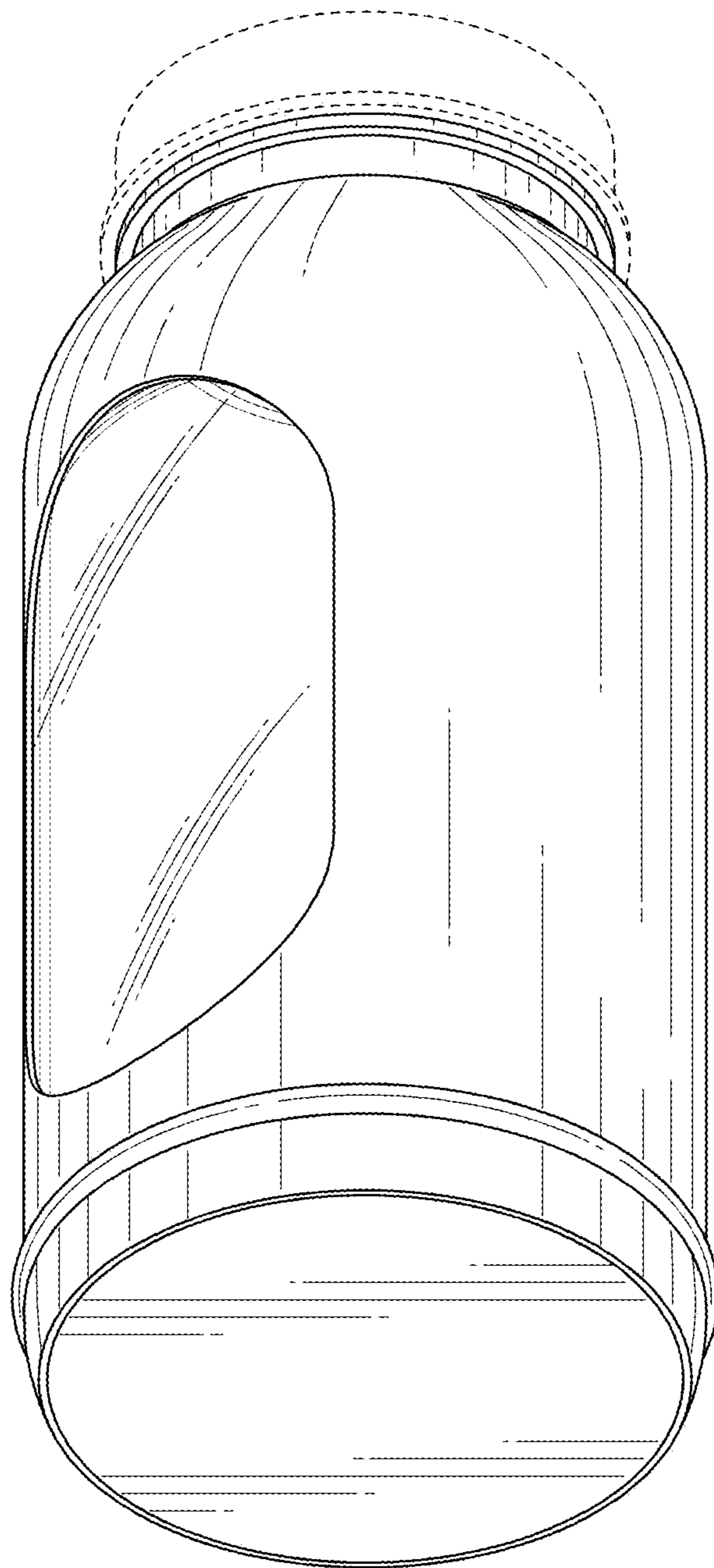


FIG. 2

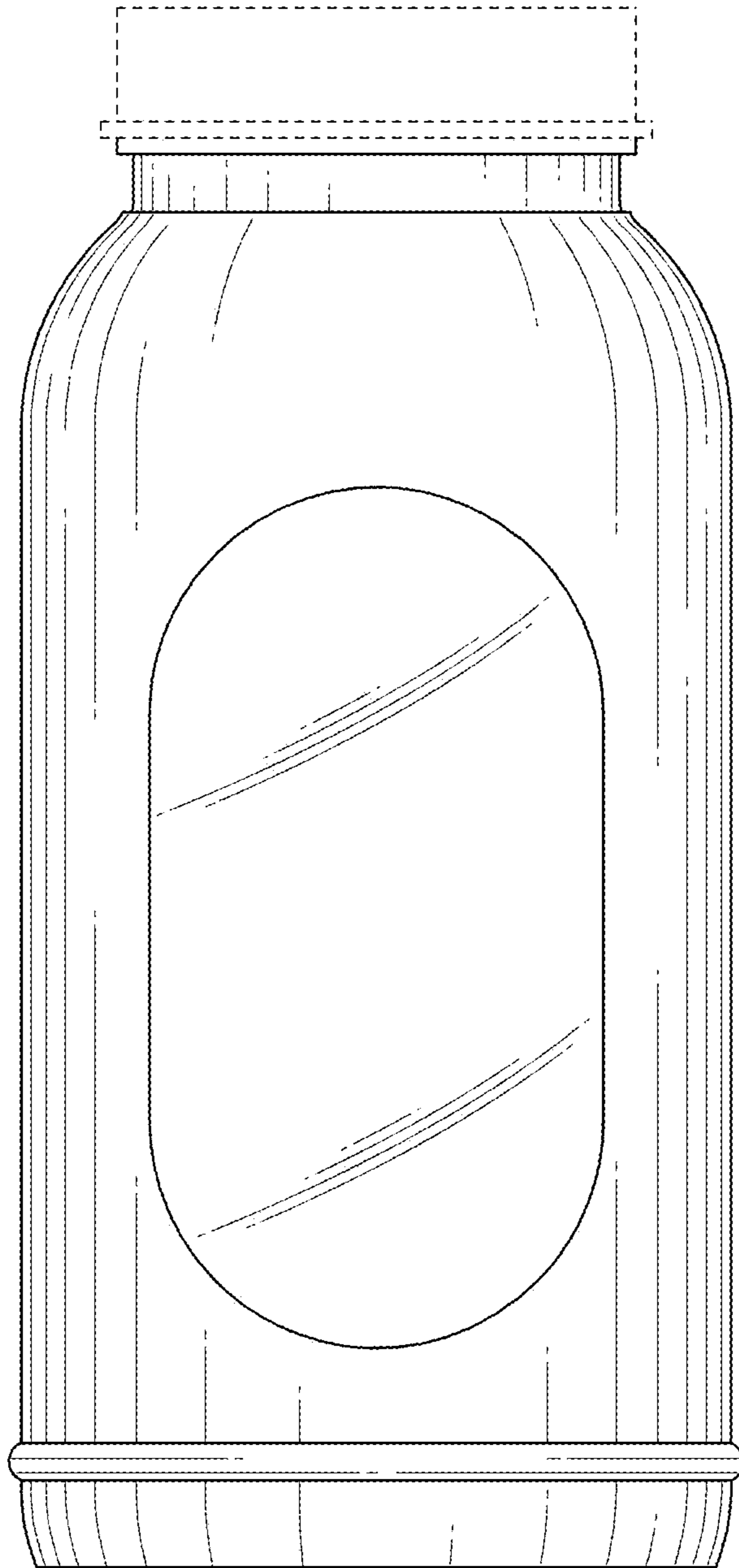


FIG. 3

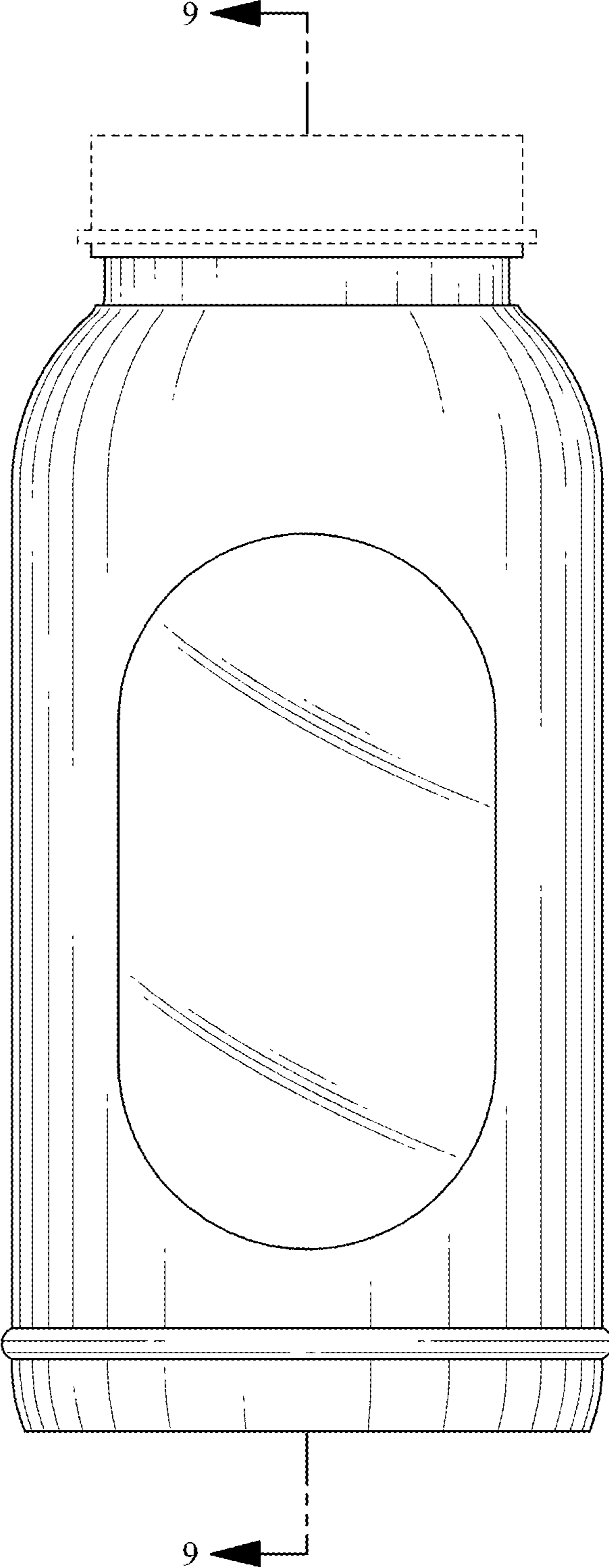


FIG. 4

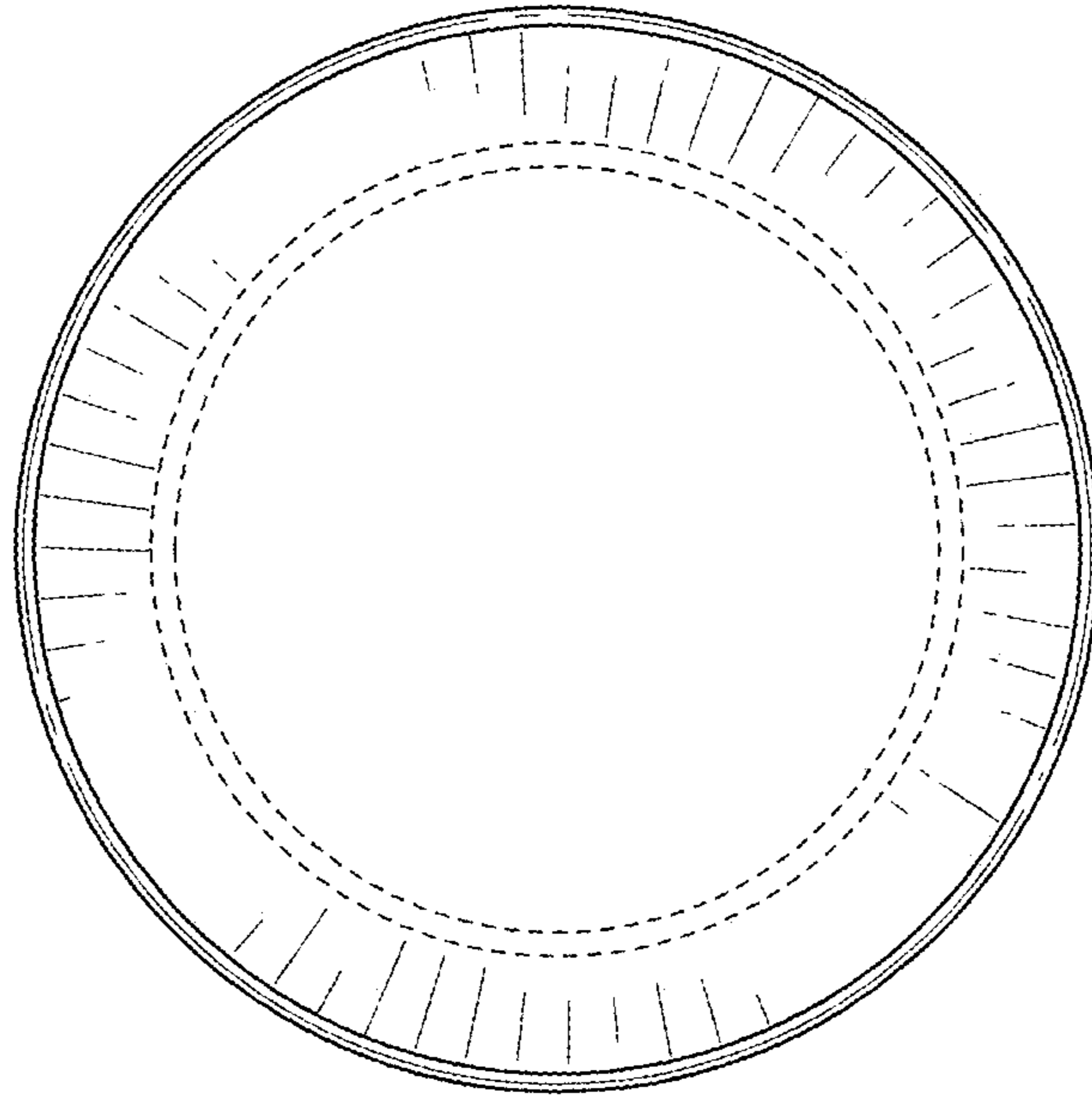


FIG. 5

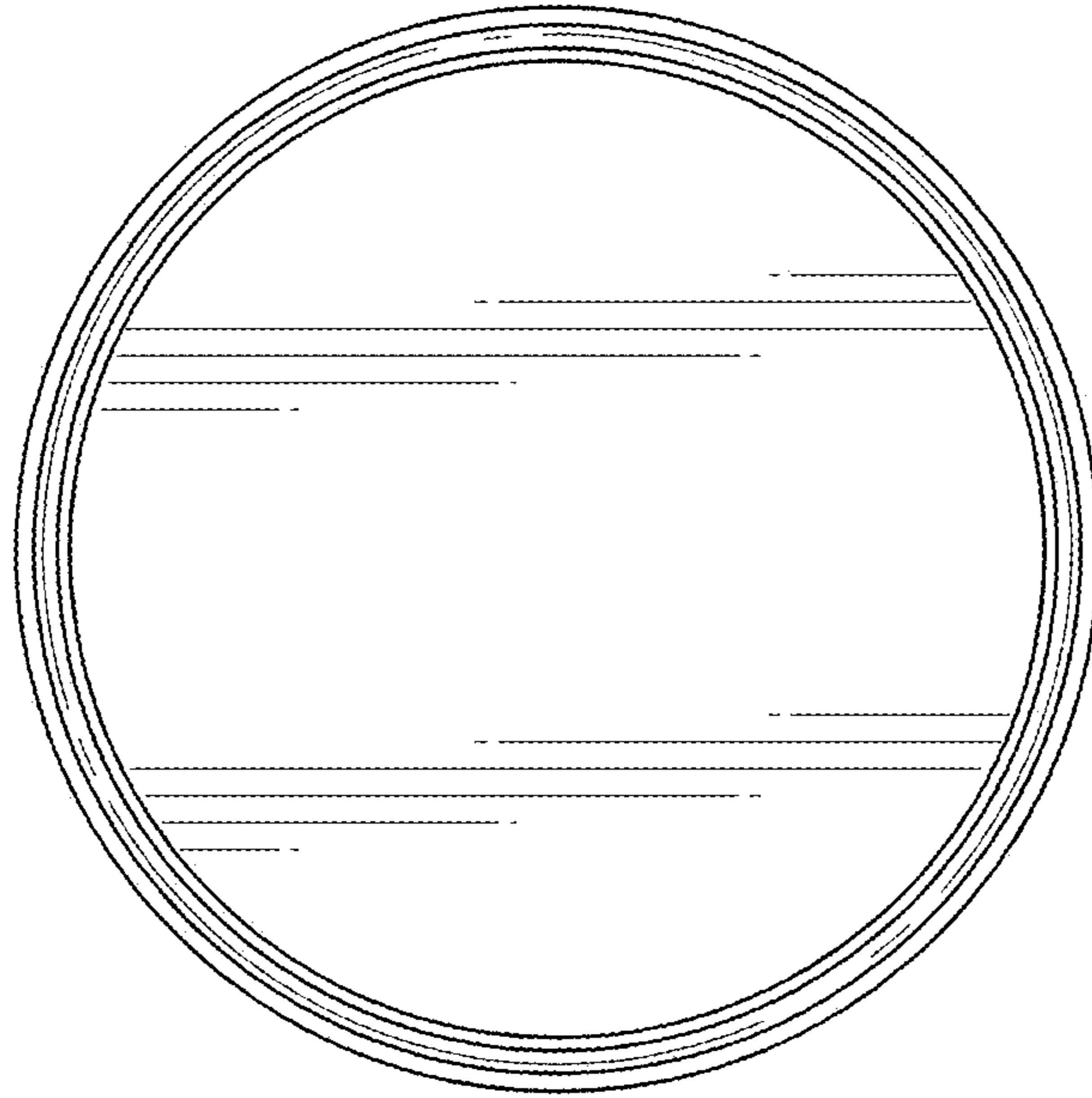


FIG. 6

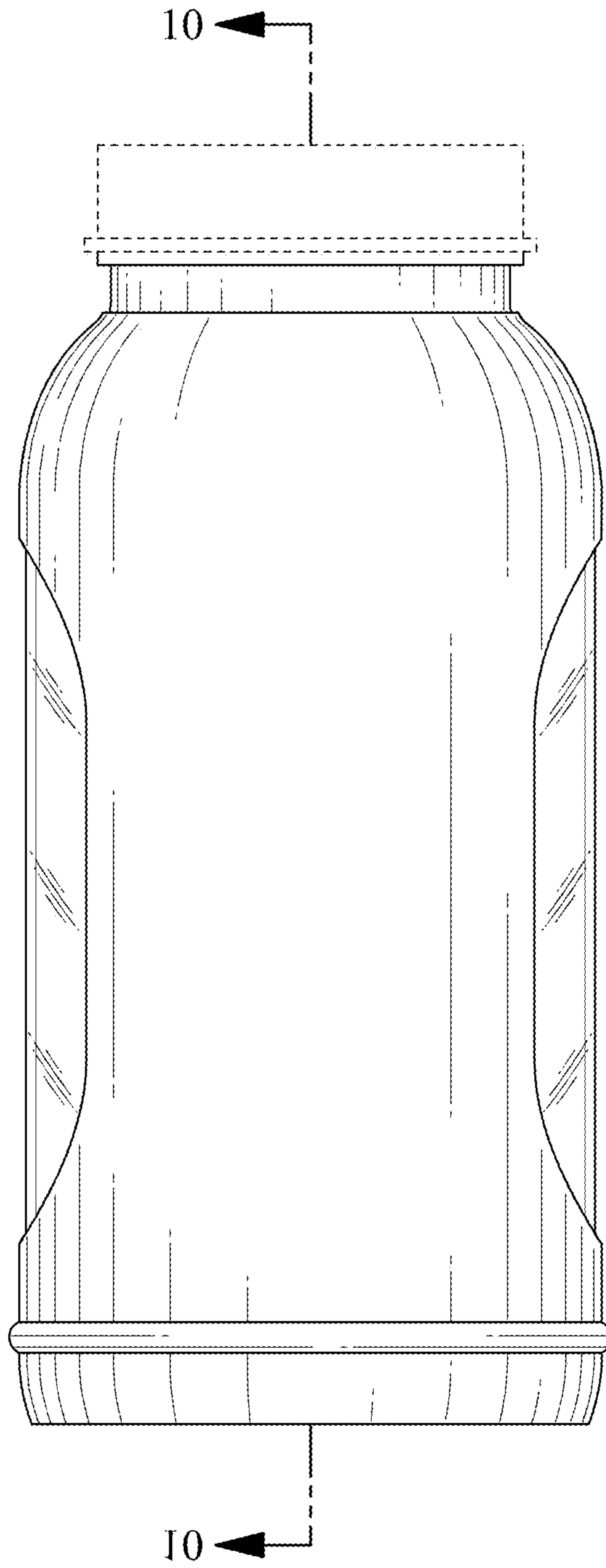


FIG. 7

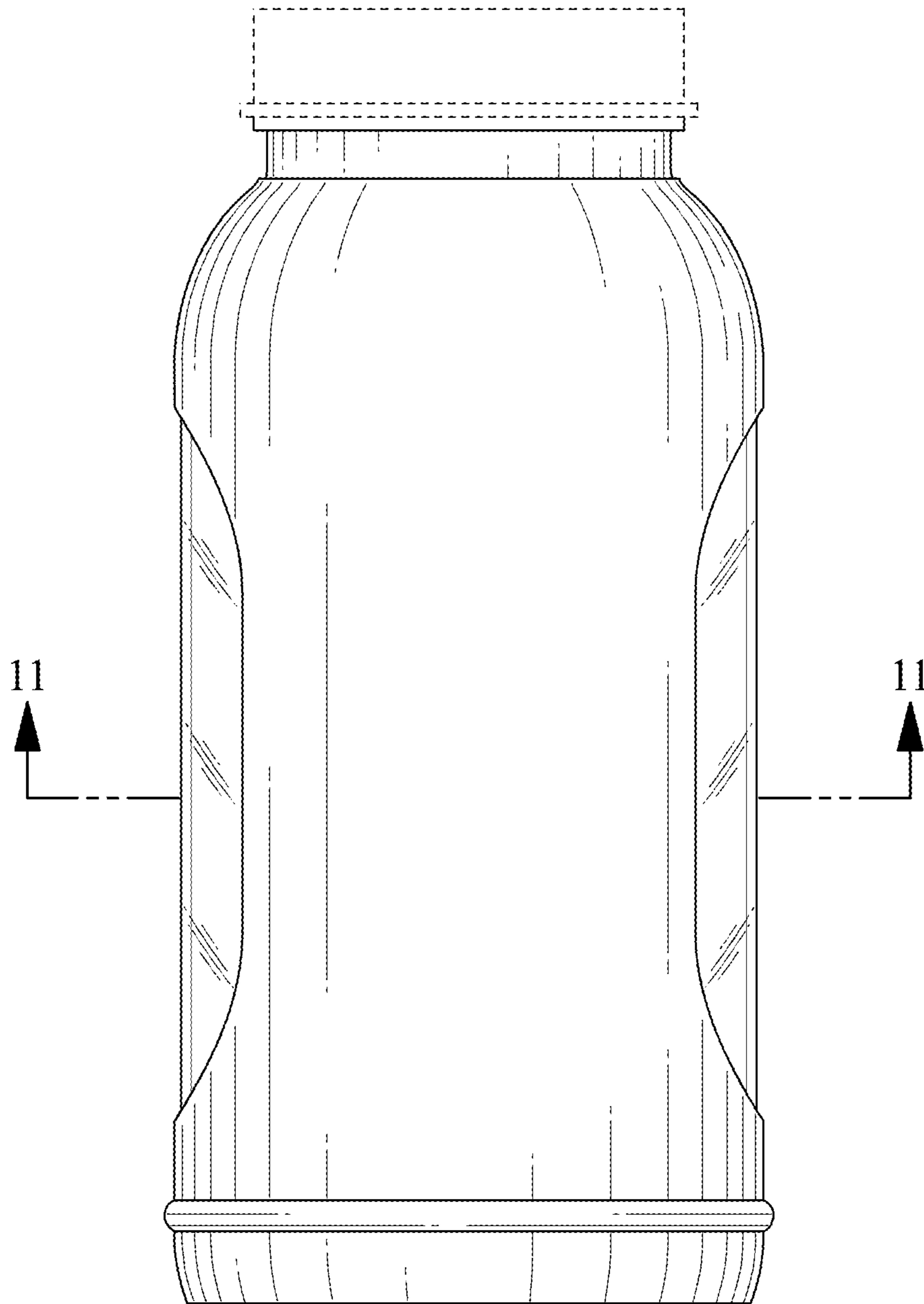


FIG. 8

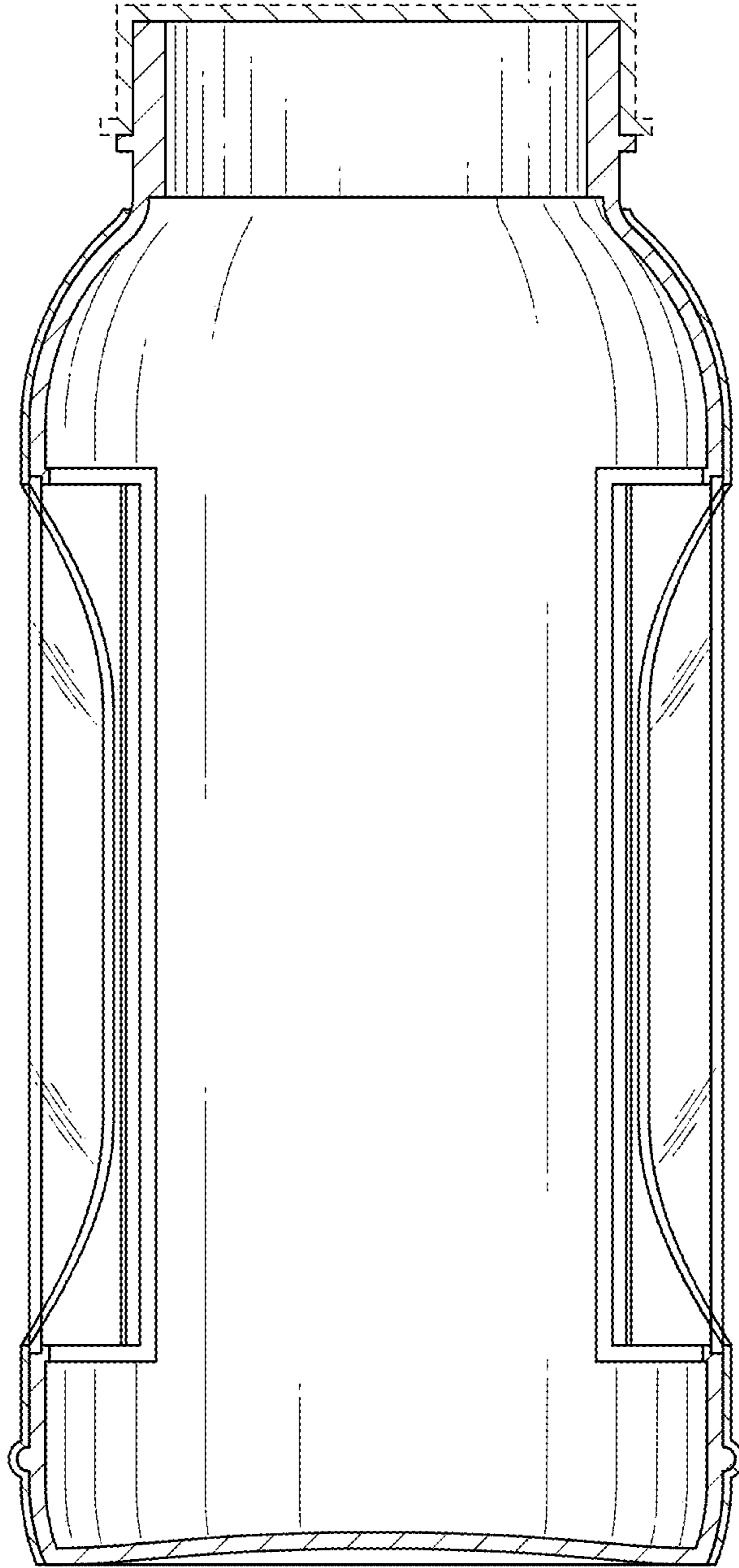


FIG. 9

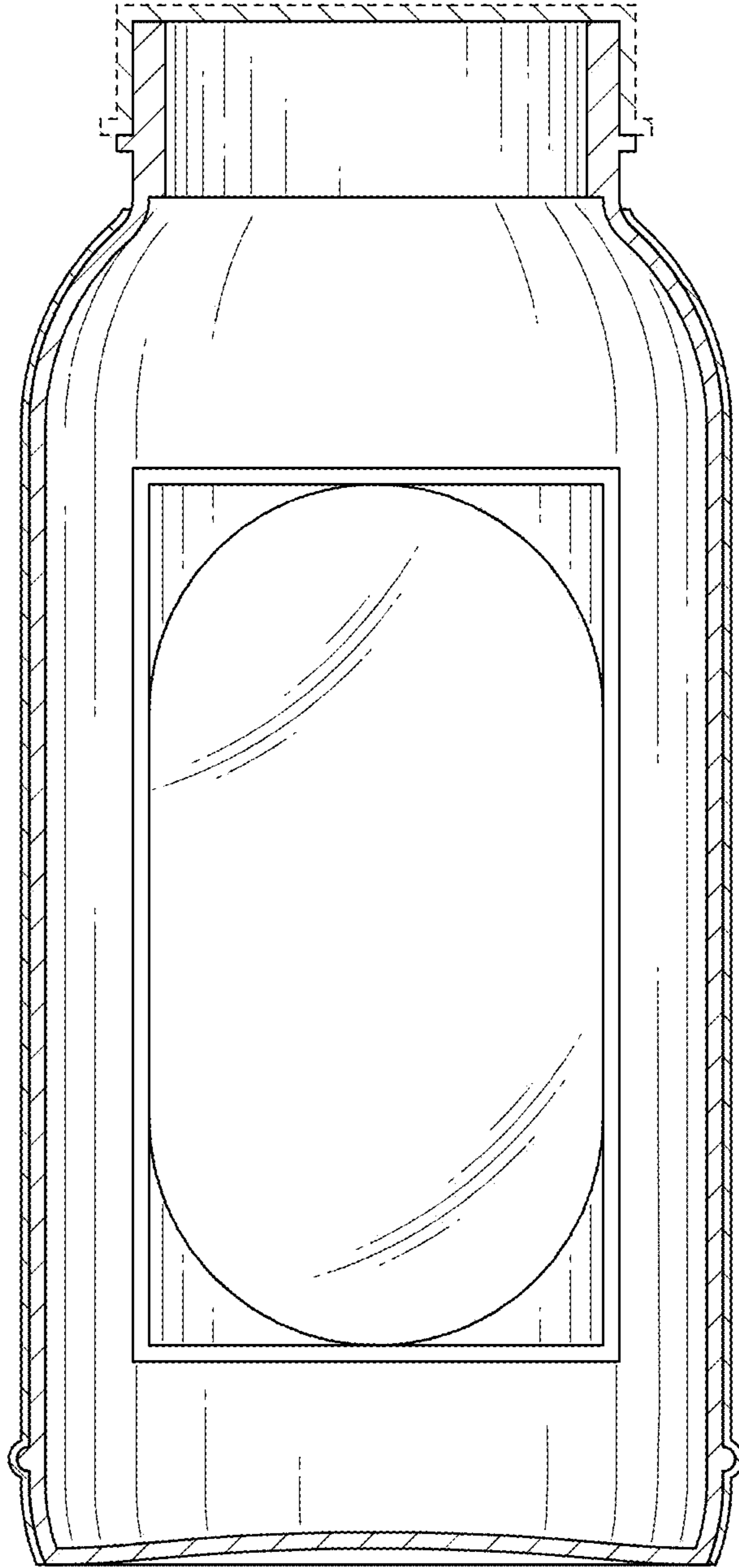


FIG. 10

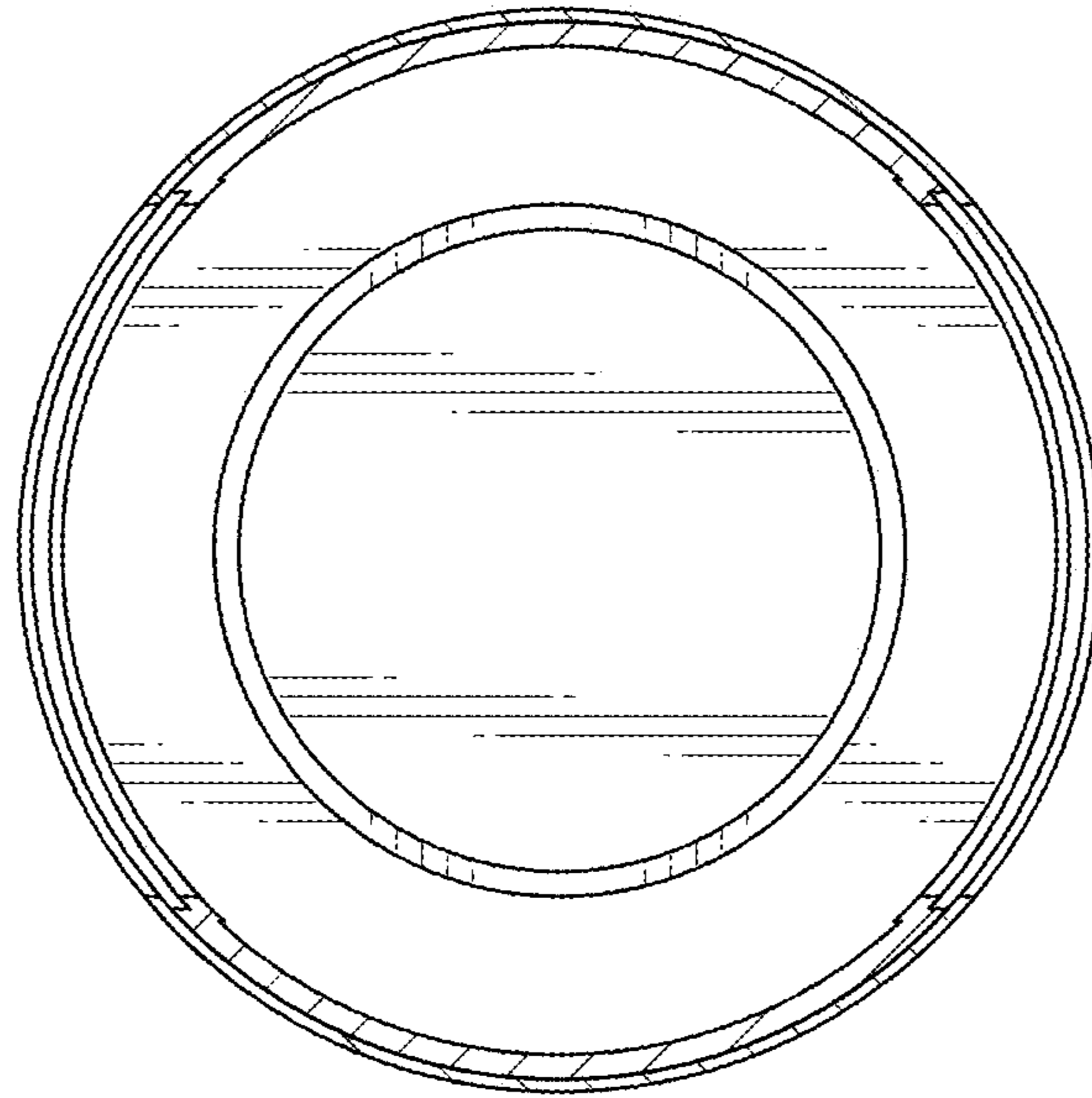


FIG. 11

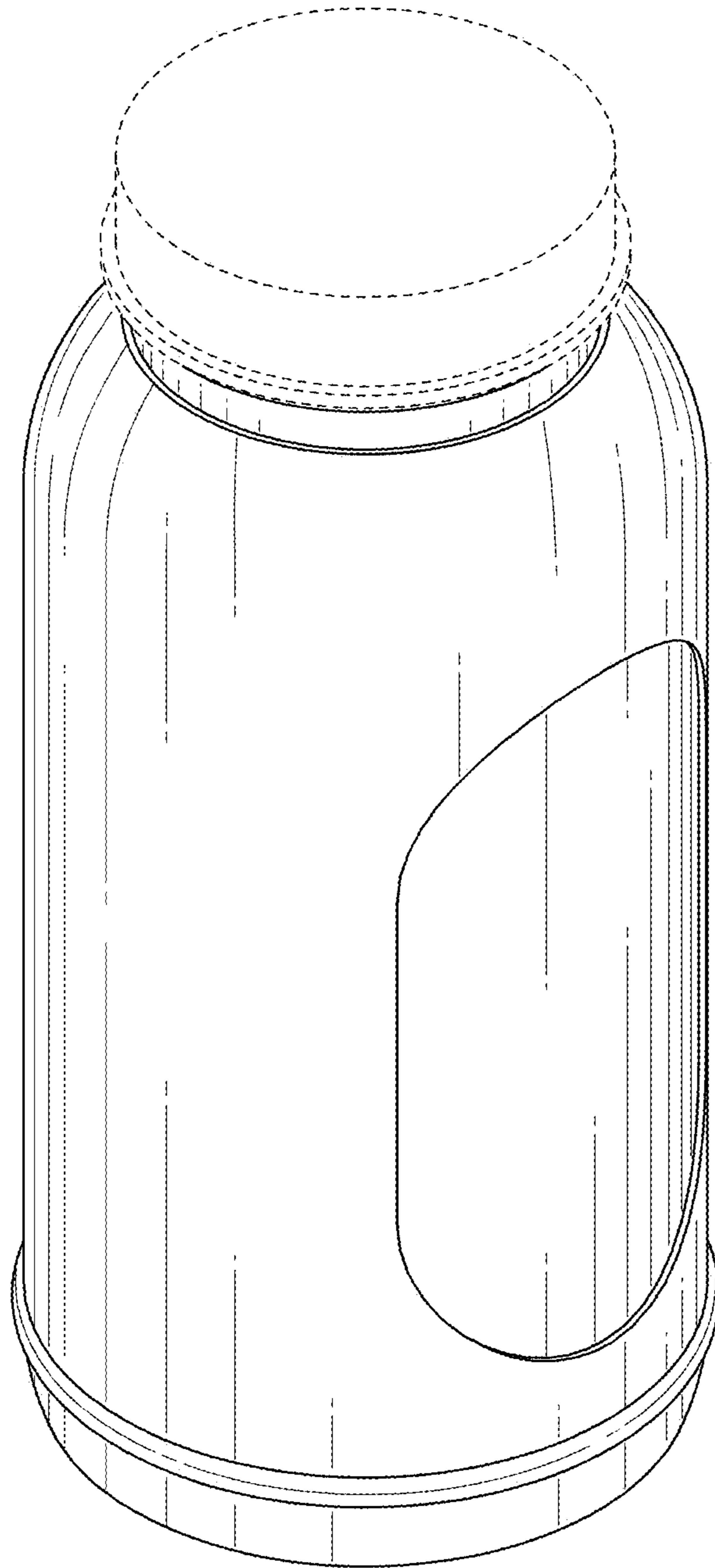


FIG. 12