



US00D935164S

(12) **United States Design Patent** (10) **Patent No.:** **US D935,164 S**
Zhang (45) **Date of Patent:** **** Nov. 9, 2021**

(54) **EARPHONES POUCH**
(71) Applicant: **Qifan Zhang**, Haifeng County (CN)
(72) Inventor: **Qifan Zhang**, Haifeng County (CN)
(**) Term: **15 Years**
(21) Appl. No.: **29/715,235**
(22) Filed: **Nov. 29, 2019**
(51) **LOC (13) Cl.** **03-01**
(52) **U.S. Cl.**
USPC **D3/201**
(58) **Field of Classification Search**
USPC D3/201, 207, 215, 218, 228, 321;
D14/203.5, 217, 224, 224.1, 203.4
CPC A45C 2011/001; A45C 2011/002; A45C
2011/003; A45F 5/00; A45F 2200/0508;
A45F 2200/0516; A45F 2200/0525; H04R
1/1016; H04R 1/105
See application file for complete search history.

D851,394 S * 6/2019 Li D3/218
D851,913 S * 6/2019 Yu D3/201
D853,116 S * 7/2019 Bergman D3/294
D861,332 S * 10/2019 Shin D3/218
D862,425 S * 10/2019 Yan D14/223
10,485,312 B2 * 11/2019 Rodriguez A45F 5/00
D868,453 S * 12/2019 Lee D3/201
D868,465 S * 12/2019 Lee D3/269
D869,147 S * 12/2019 Lian D3/201
D869,161 S * 12/2019 Zhong D3/294
D870,451 S * 12/2019 Birger D3/201
D872,094 S * 1/2020 Wright D14/440
D872,468 S * 1/2020 Lee D3/269

(Continued)

OTHER PUBLICATIONS

Fintie Case for AirPods, amazon.com, <https://www.amazon.com/Fintie-Supports-Wireless-Shockproof-Protective/dp/B089Y4FS4Y>
(Year: 2020).*

(Continued)

Primary Examiner — Steven J Cxyz

(57) **CLAIM**

The ornamental design for an earphones pouch, as shown and described.

DESCRIPTION

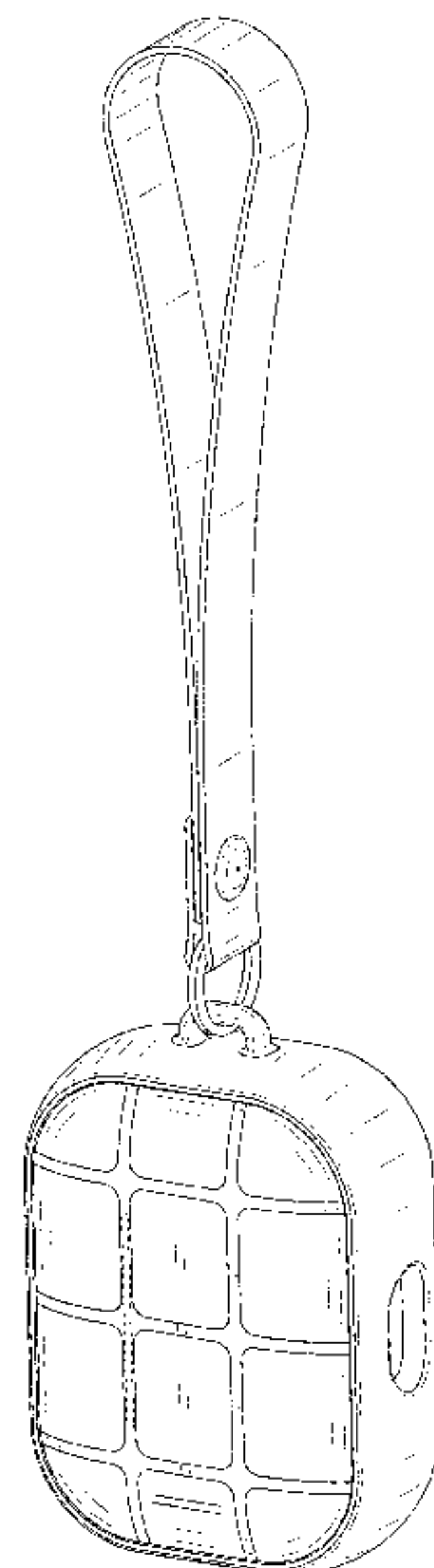
FIG. 1 is a front perspective view of an earphones pouch showing my new design;
FIG. 2 is a rear perspective view thereof;
FIG. 3 is a front elevational view thereof;
FIG. 4 is a rear elevational view thereof;
FIG. 5 is a left side elevational view thereof;
FIG. 6 is a right side elevational view thereof;
FIG. 7 is a top plan view thereof; and,
FIG. 8 is a bottom plan view thereof.
The broken lines in the figures depict the portion of the article that form no parts of the claimed design.

1 Claim, 8 Drawing Sheets

(56) **References Cited**

U.S. PATENT DOCUMENTS

5,887,720 A * 3/1999 Lin H04R 1/10
206/38
D452,611 S * 1/2002 Redgrave D3/264
D604,501 S * 11/2009 Lee D3/201
D607,445 S * 1/2010 Ferrari D14/250
D658,875 S * 5/2012 Xiang D3/269
D718,756 S * 12/2014 Barfoot D14/250
D719,145 S * 12/2014 Barfoot D14/250
D721,370 S * 1/2015 Barfoot D14/400
D743,388 S * 11/2015 Fitzpatrick D14/250
D745,505 S * 12/2015 Barfoot D14/250
D745,506 S * 12/2015 Barfoot D14/250
D794,617 S * 8/2017 Wright D14/238.1
D794,618 S * 8/2017 Wright D14/238.1
9,820,543 B2 * 11/2017 Huang H04M 1/185
D818,268 S * 5/2018 Akana D3/294
D834,301 S * 11/2018 Poissant D3/201



(56)

References Cited

U.S. PATENT DOCUMENTS

D872,469 S * 1/2020 Lee D3/269
 D872,723 S * 1/2020 Lee D14/250
 D872,724 S * 1/2020 Lee D14/250
 D878,048 S * 3/2020 Wang D3/294
 D880,148 S * 4/2020 Akana D3/218
 D881,181 S * 4/2020 Wright D14/250
 D881,566 S * 4/2020 Lee D3/271.1
 D881,572 S * 4/2020 Wang D3/294
 D881,867 S * 4/2020 Lee D14/250
 D882,259 S * 4/2020 Liu D3/269
 D882,262 S * 4/2020 Zhang D3/294
 D882,939 S * 5/2020 Hu D3/201
 D885,951 S * 6/2020 Lee D10/121
 D886,445 S * 6/2020 Hyun D3/201
 D886,453 S * 6/2020 Wright D3/294
 D888,036 S * 6/2020 Wright D14/250
 D888,037 S * 6/2020 Wright D14/250
 D888,038 S * 6/2020 Wright D14/250
 D888,039 S * 6/2020 Wright D14/250
 D888,040 S * 6/2020 Wright D14/250
 D888,041 S * 6/2020 Wright D14/250
 D888,042 S * 6/2020 Wright D14/250
 D888,043 S * 6/2020 Wright D14/250
 D888,408 S * 6/2020 Lee D3/201
 D890,765 S * 7/2020 Lee D14/440
 D891,771 S * 8/2020 Lee D3/269
 D891,774 S * 8/2020 Yu D3/294

D892,497 S * 8/2020 Wright D3/294
 D892,498 S * 8/2020 Wright D3/294
 D893,166 S * 8/2020 Lu D3/201
 D893,170 S * 8/2020 Lee D3/218
 D893,184 S * 8/2020 Liu D3/294
 D893,185 S * 8/2020 Liu D3/294
 D895,285 S * 9/2020 Hutchison D3/294
 D897,664 S * 10/2020 Li D3/201
 D897,678 S * 10/2020 Koh D3/294
 D901,177 S * 11/2020 Wei D3/294
 D903,316 S * 12/2020 Kwak D3/269
 D903,320 S * 12/2020 Lee D3/302
 D904,005 S * 12/2020 Jung D3/201
 D904,755 S * 12/2020 Birger D3/201
 D905,429 S * 12/2020 Lee D3/271.1
 D905,430 S * 12/2020 Kwak D3/273
 D906,342 S * 12/2020 Lee D14/440
 D907,048 S * 1/2021 Wang D14/440
 D907,049 S * 1/2021 Yu D14/440
 2017/0095065 A1 * 4/2017 Colbert B65D 43/22
 2020/0100573 A1 * 4/2020 Ekelund A45C 11/00

OTHER PUBLICATIONS

i-Blason Case for AirPods, amazon.com, https://www.amazon.com/i-Blason-Designed-Airpods-Protective-Compatiable/dp/B082LQDZ7Z/ref=psdc_2267281011_t3_B08BHH9CW1 (Year: 2020).*

* cited by examiner

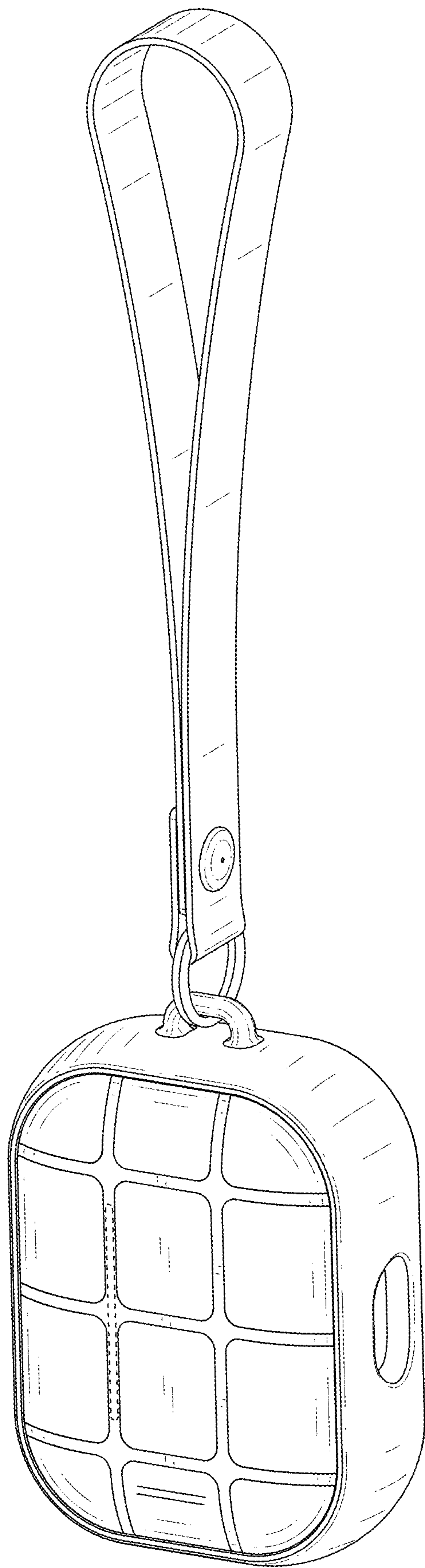


FIG. 1

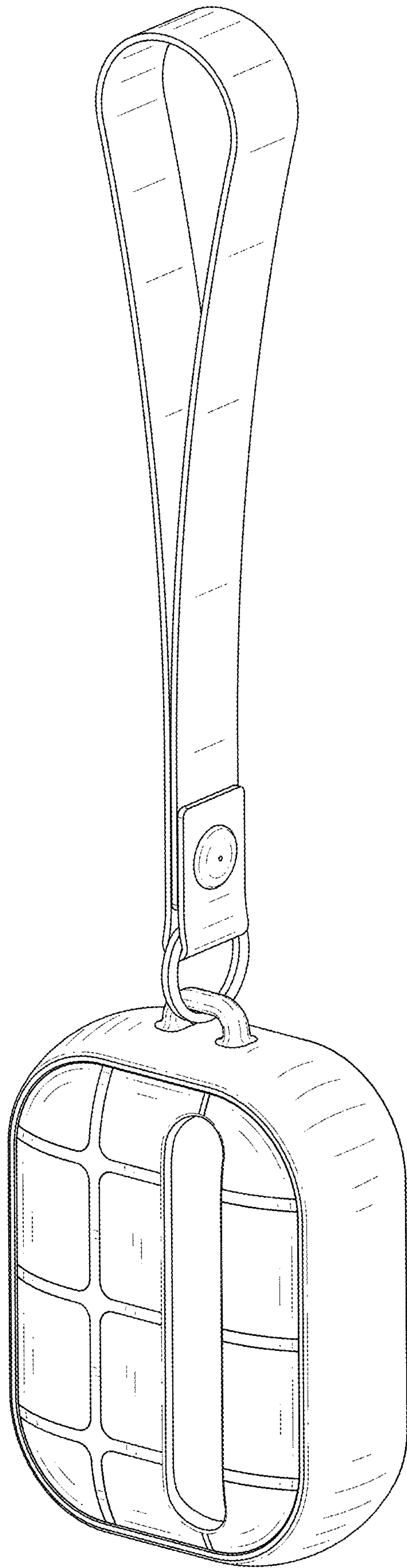


FIG.2

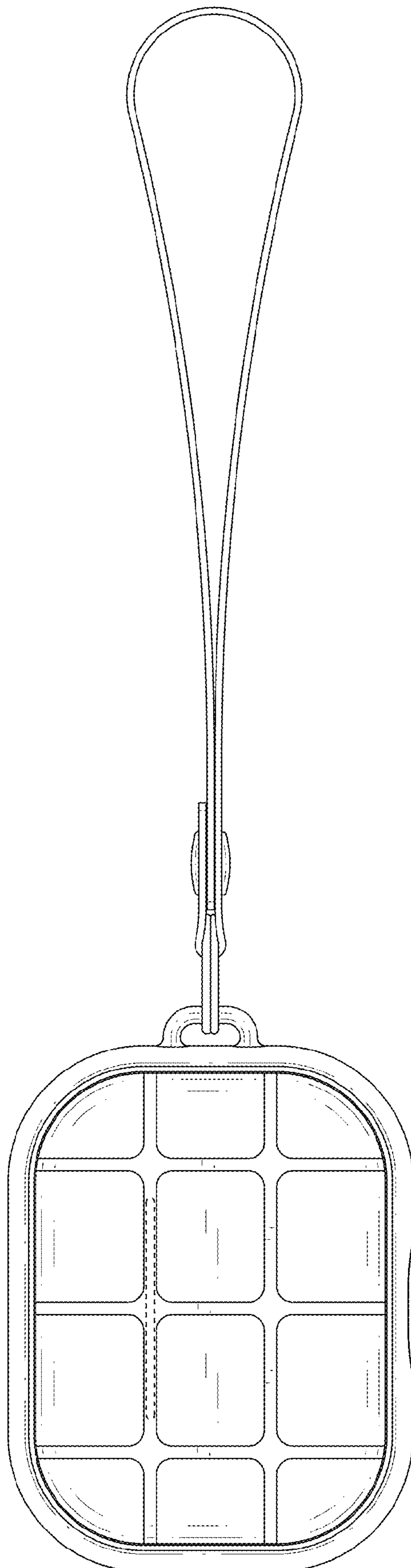


FIG.3

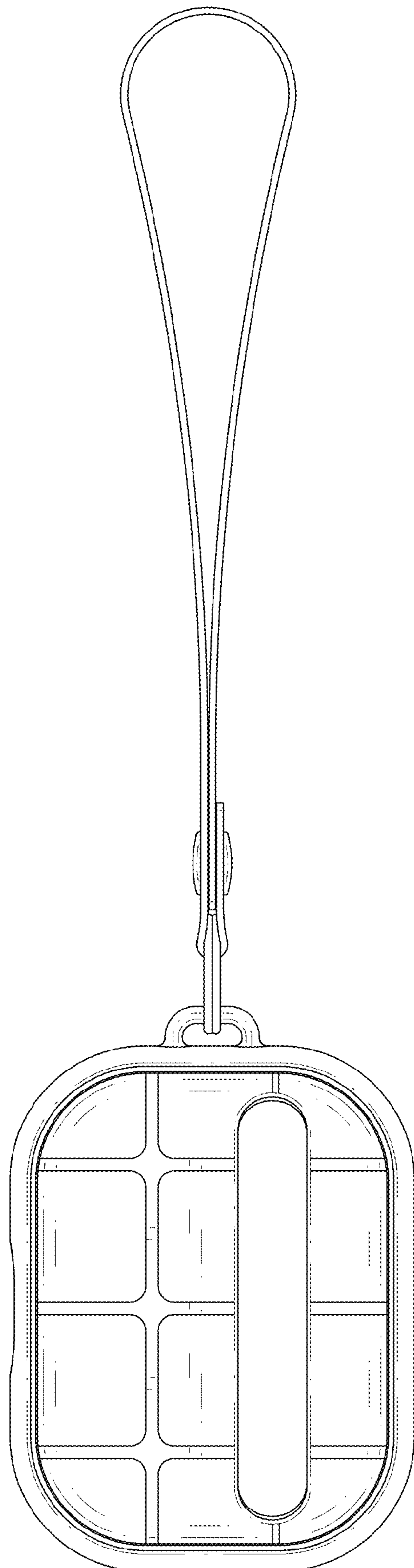


FIG. 4

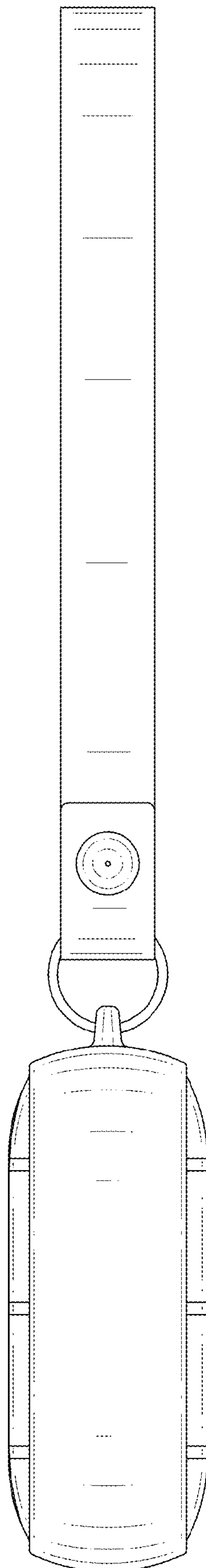


FIG.5

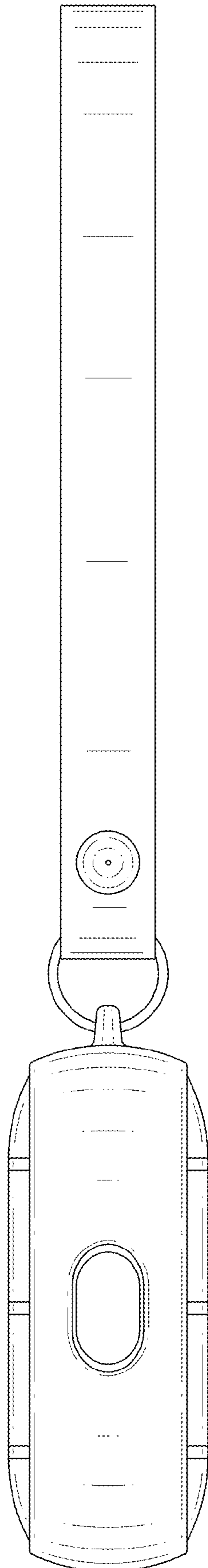


FIG.6

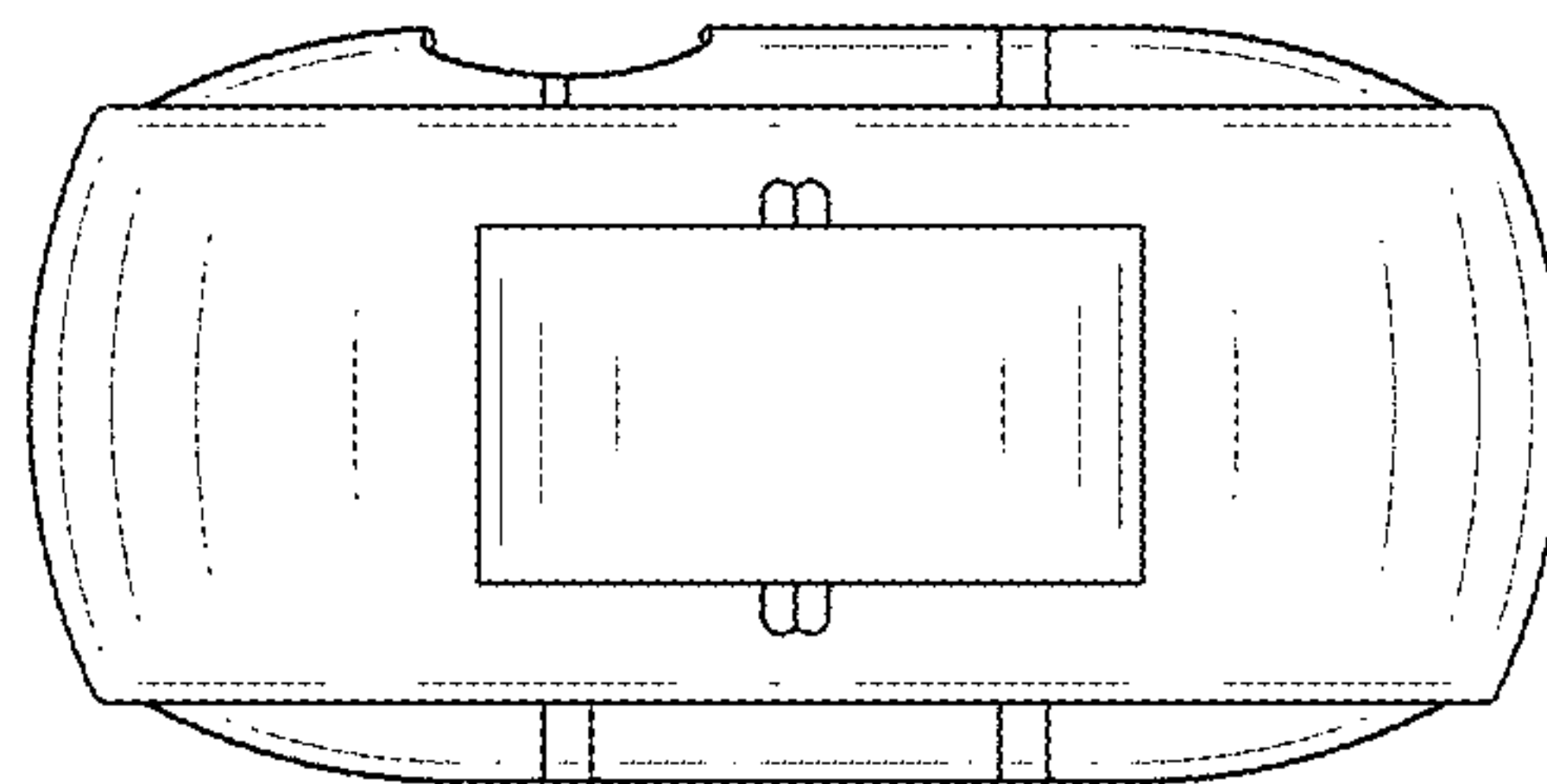


FIG.7

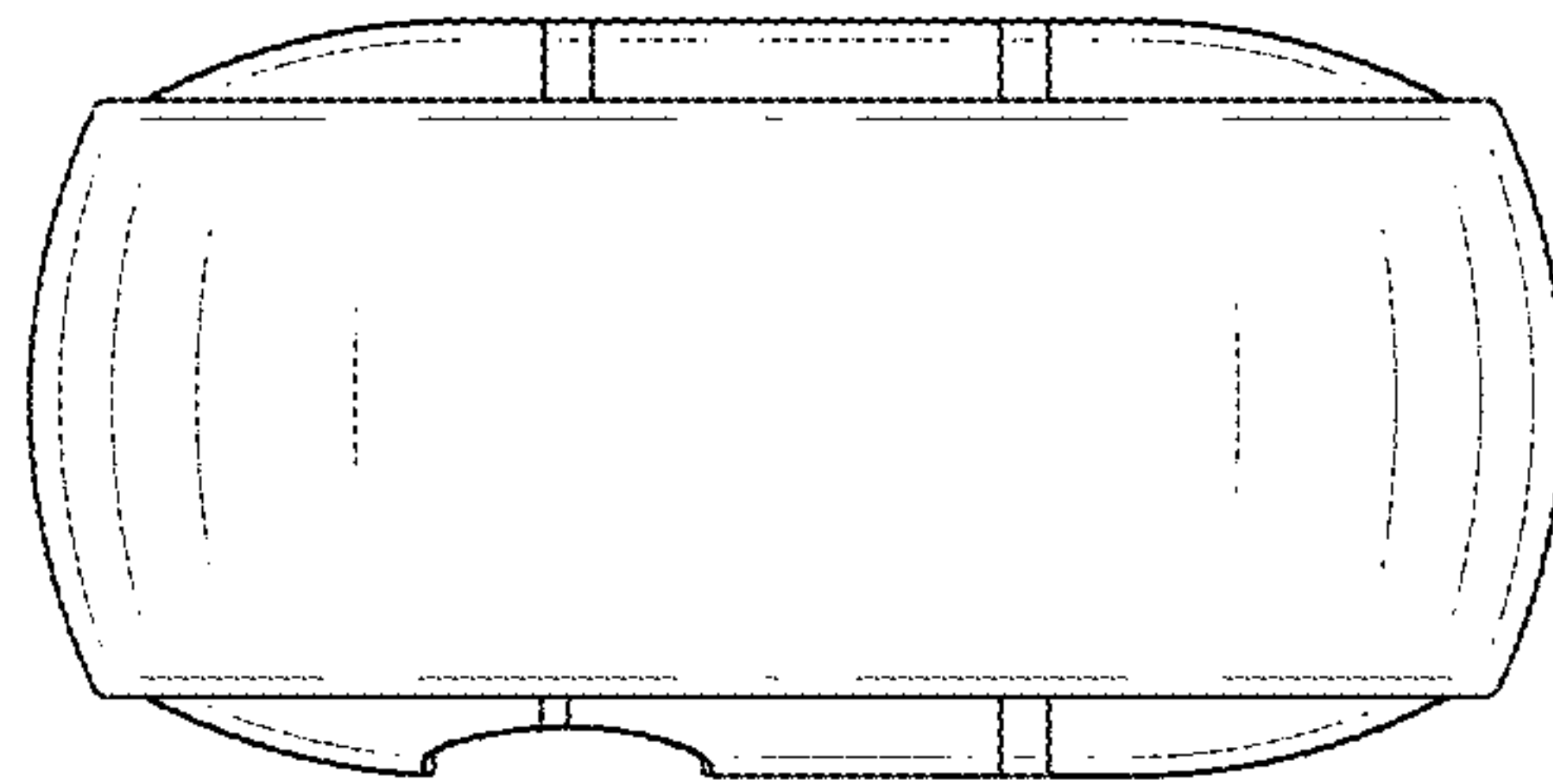


FIG.8