



US00D935145S

(12) **United States Design Patent** (10) **Patent No.:** **US D935,145 S**  
**Kim** (45) **Date of Patent:** **\*\* Nov. 9, 2021**

(54) **OUTSOLE**

(71) Applicant: **Peacock Apparel Group, Inc.**, New York, NY (US)

(72) Inventor: **Bill Cin Kim**, Alpine, NJ (US)

(73) Assignee: **PEACOCK APPAREL GROUP, INC.**, New York, NY (US)

(\*\*) Term: **15 Years**

(21) Appl. No.: **29/716,513**

(22) Filed: **Dec. 10, 2019**

(51) **LOC (13) Cl.** ..... **02-04**

(52) **U.S. Cl.**  
USPC ..... **D2/947**; D2/960; D2/953; D2/951

(58) **Field of Classification Search**  
USPC ..... D2/902, 906, 908, 916, 918, 925,  
D2/946-962, 977; 36/1, 1.5, 3 B, 22 R,  
36/24.5, 25 R, 28, 32 R, 34 R, 59 C,  
36/67 A, 101-107, 114-116, 117.3, 117.4,  
36/124-136

CPC ..... A43B 13/00; A43B 13/02; A43B 13/023;  
A43B 13/026; A43B 13/04; A43B 13/08;  
A43B 13/10; A43B 13/12; A43B 13/14;  
A43B 13/141; A43B 13/143; A43B  
13/16; A43B 13/18; A43B 13/181; A43B  
13/187; A43B 13/189; A43B 13/20; A43B  
13/22; A43B 13/223; A43B 13/24; A43B  
13/28; A43B 13/30; A43B 13/32; A43B  
13/34; A43B 13/36

See application file for complete search history.

(56) **References Cited**

**U.S. PATENT DOCUMENTS**

D259,823 S \* 7/1981 Greenlee ..... D2/954  
D295,460 S \* 5/1988 Hase ..... D2/955  
D297,981 S \* 10/1988 Gerber ..... D2/960  
D316,627 S \* 5/1991 Schneider ..... D2/959

D323,739 S \* 2/1992 Kaiser ..... D2/959  
D386,593 S \* 11/1997 Fogg ..... D2/953  
D394,342 S \* 5/1998 Schneider ..... D2/959  
D427,758 S \* 7/2000 Schneider ..... D2/951  
D509,650 S \* 9/2005 Burg ..... D2/953  
D608,534 S \* 1/2010 Bullard ..... D2/947  
D634,923 S \* 3/2011 Lacey ..... D2/960  
D808,624 S \* 1/2018 He ..... D2/957  
D811,708 S \* 3/2018 Diard ..... D2/959  
D849,382 S \* 5/2019 Jenkins ..... D2/959  
D850,083 S \* 6/2019 Jenkins ..... D2/959  
D859,801 S \* 9/2019 Jenkins ..... D2/959  
D864,537 S \* 10/2019 Mocos ..... D2/953  
D865,336 S \* 11/2019 Jenkins ..... D2/907

(Continued)

**OTHER PUBLICATIONS**

We Keep You Moving, Aerosoles.com, [online], [site visited Dec. 16, 2020], <URL: <https://www.aerosoles.com/pages/technology>> (Year: 2020).\*

(Continued)

*Primary Examiner* — T Chase Nelson  
*Assistant Examiner* — Jonathan J Han  
(74) *Attorney, Agent, or Firm* — Leason Ellis LLP

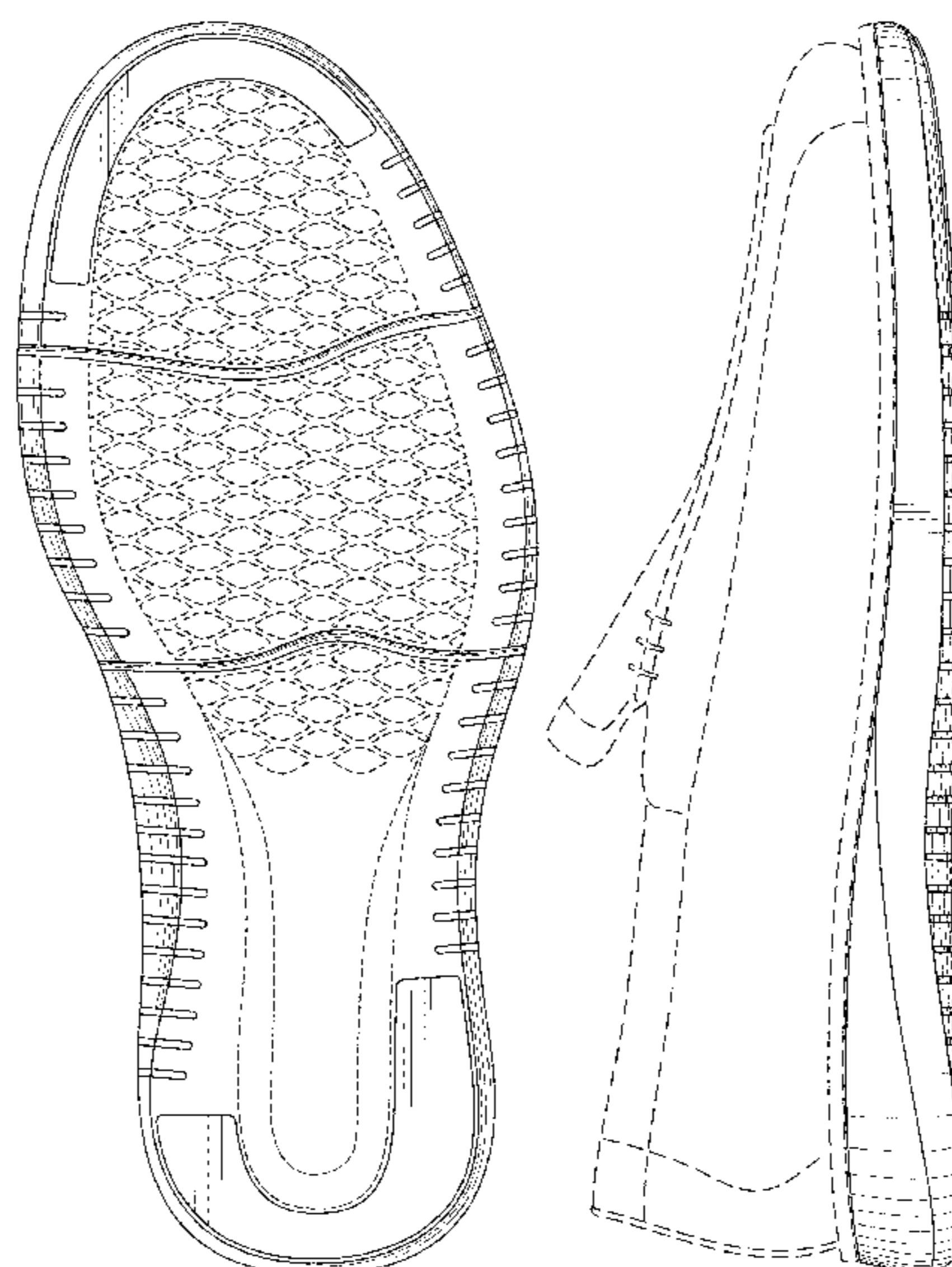
(57) **CLAIM**

The ornamental design for an outsole, as shown and described.

**DESCRIPTION**

FIG. 1 is a bottom plan view of a outsole showing my new ornamental design;  
FIG. 2 is a top plan view thereof;  
FIG. 3 is a right side elevation view thereof;  
FIG. 4 is a left side elevation view thereof;  
FIG. 5 is a front elevation view thereof; and,  
FIG. 6 is a rear elevation view thereof.  
The broken lines in FIGS. 2-6 are for illustrating environment that form no part of the claimed design.

**1 Claim, 5 Drawing Sheets**



(56)

**References Cited**

## U.S. PATENT DOCUMENTS

D877,474 S \* 3/2020 Little ..... D2/960  
D879,437 S \* 3/2020 Brosseau ..... D2/959  
D879,438 S \* 3/2020 Brosseau ..... D2/959  
D880,131 S \* 4/2020 Fick ..... D2/959  
D886,428 S \* 6/2020 McPhee ..... D2/960  
D893,145 S \* 8/2020 Beaver ..... D2/953  
D893,152 S \* 8/2020 Jenkins ..... D2/959  
D894,571 S \* 9/2020 Jenkins ..... D2/959  
D895,244 S \* 9/2020 Felloni ..... D2/951  
D899,052 S \* 10/2020 Henrichot ..... D2/957  
D903,262 S \* 12/2020 Moranges ..... D2/959  
2007/0130801 A1 \* 6/2007 Wu ..... A43B 13/26  
36/59 R  
2020/0060386 A1 \* 2/2020 Lubart ..... A43B 13/22

## OTHER PUBLICATIONS

Session Approach Shoes—Men's, BlackDiamondEquipment.com, [online], [site visited Dec. 16, 2020]. <URL: [https://www.blackdiamondequipment.com/en\\_US/performance-lifestyle-footwear/session-approach-shoes-mens-BD580005\\_cfg.html](https://www.blackdiamondequipment.com/en_US/performance-lifestyle-footwear/session-approach-shoes-mens-BD580005_cfg.html)> (Year: 2020).\*

Chuck Taylor All Star, Converse.com, [online], [site visited Dec. 16, 2020]. <URL: [https://www.converse.com/shop/p/chuck-taylor-all-star-unisex-low-top-shoe/M9166.html?dwvar\\_M9166\\_color=black&styleNo=M9166&cgid=chuck-taylor-all-star-shoes](https://www.converse.com/shop/p/chuck-taylor-all-star-unisex-low-top-shoe/M9166.html?dwvar_M9166_color=black&styleNo=M9166&cgid=chuck-taylor-all-star-shoes)> (Year: 2020).\*

\* cited by examiner

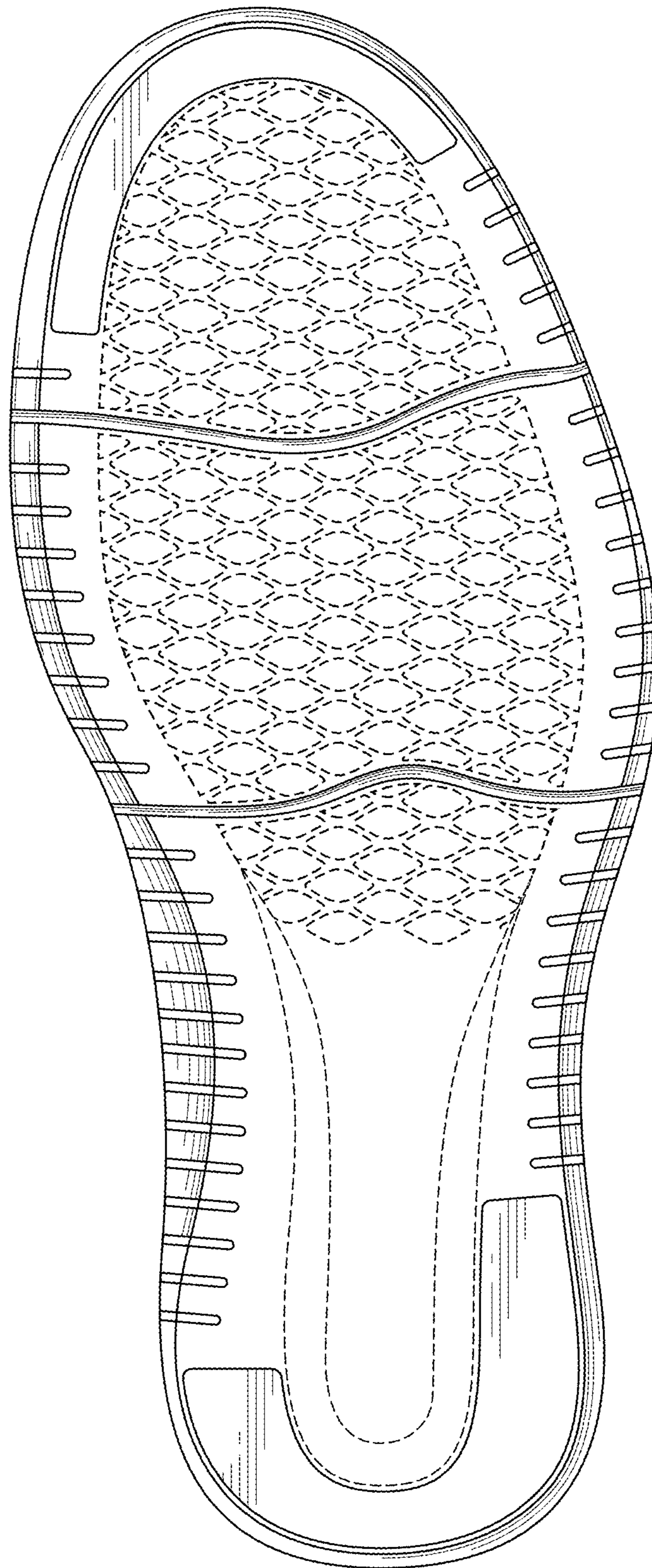


Fig. 1

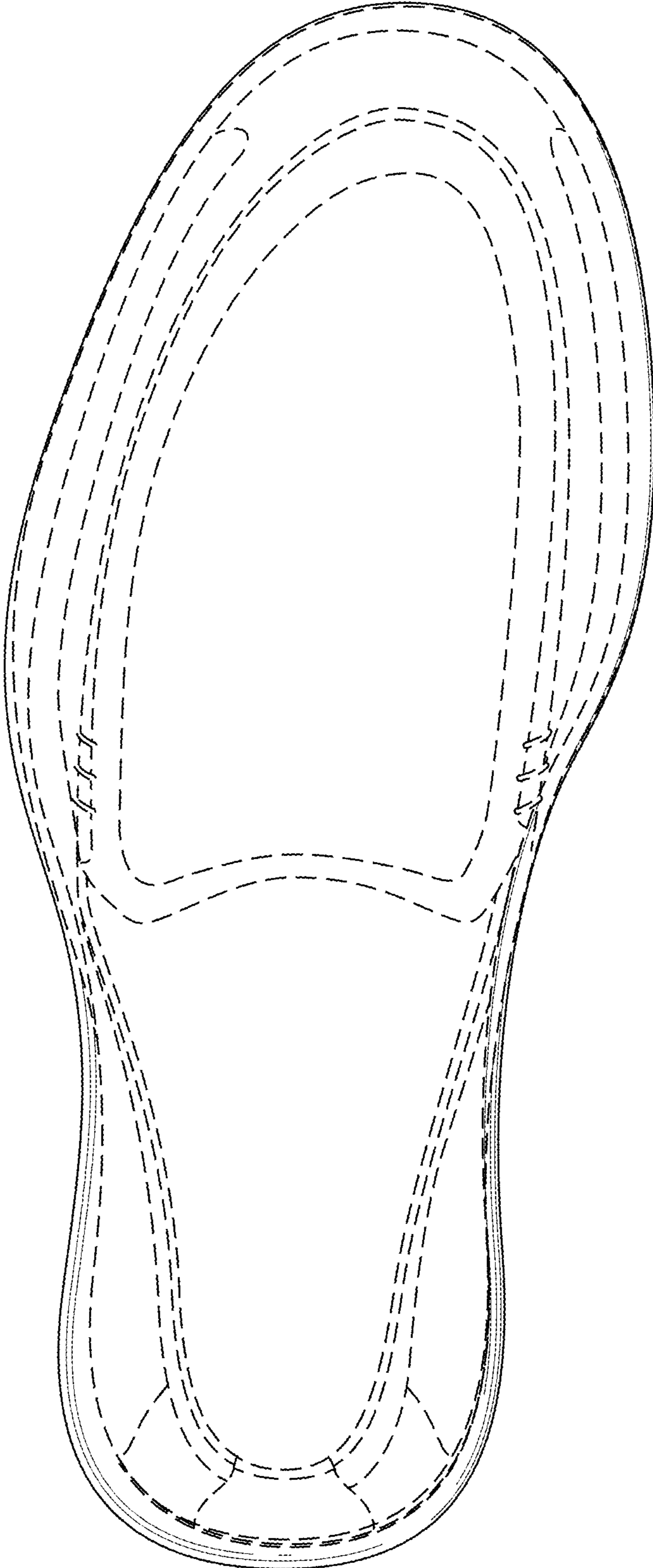


Fig. 2

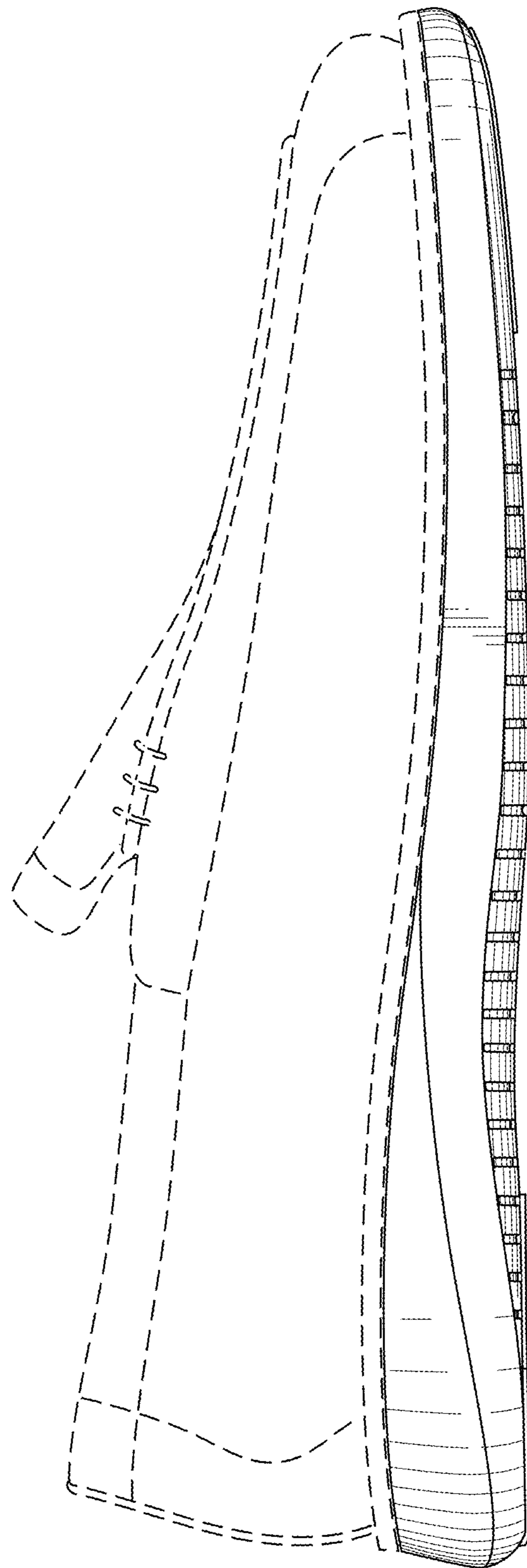


Fig. 3

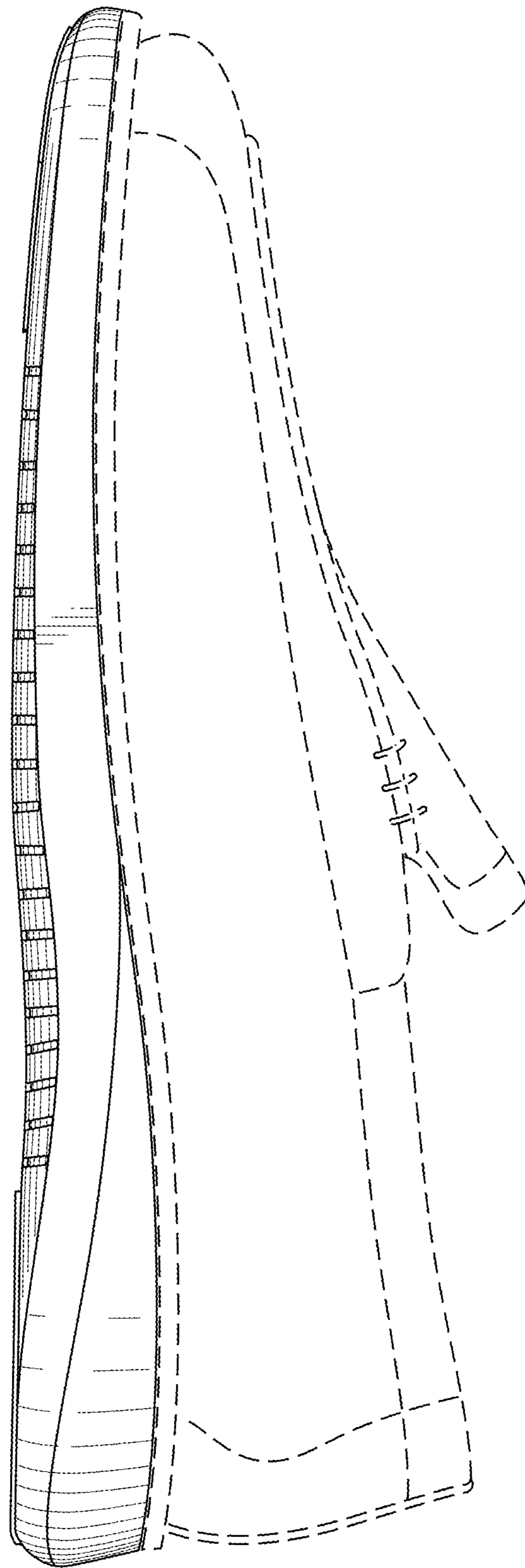


Fig. 4

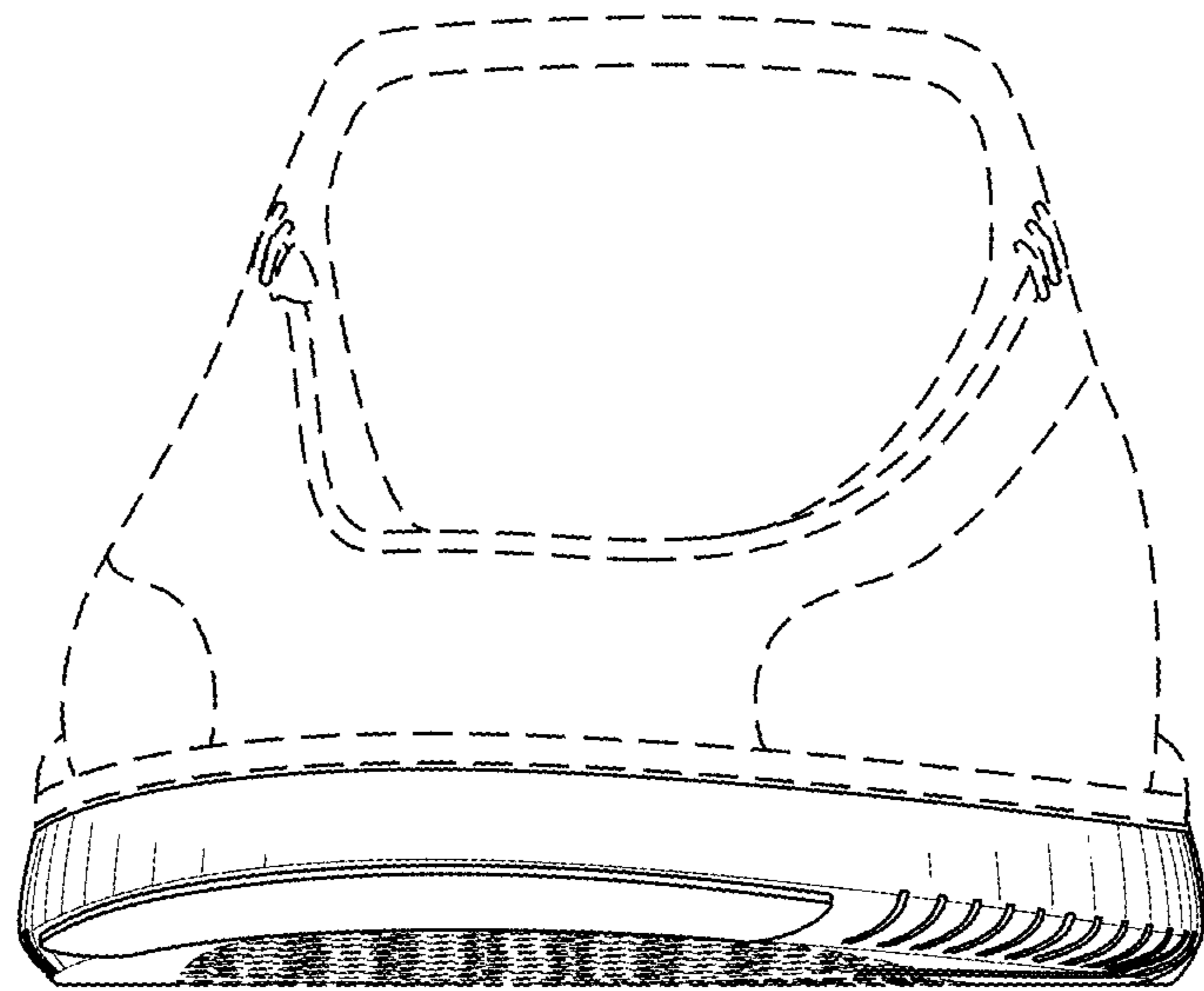


Fig. 5

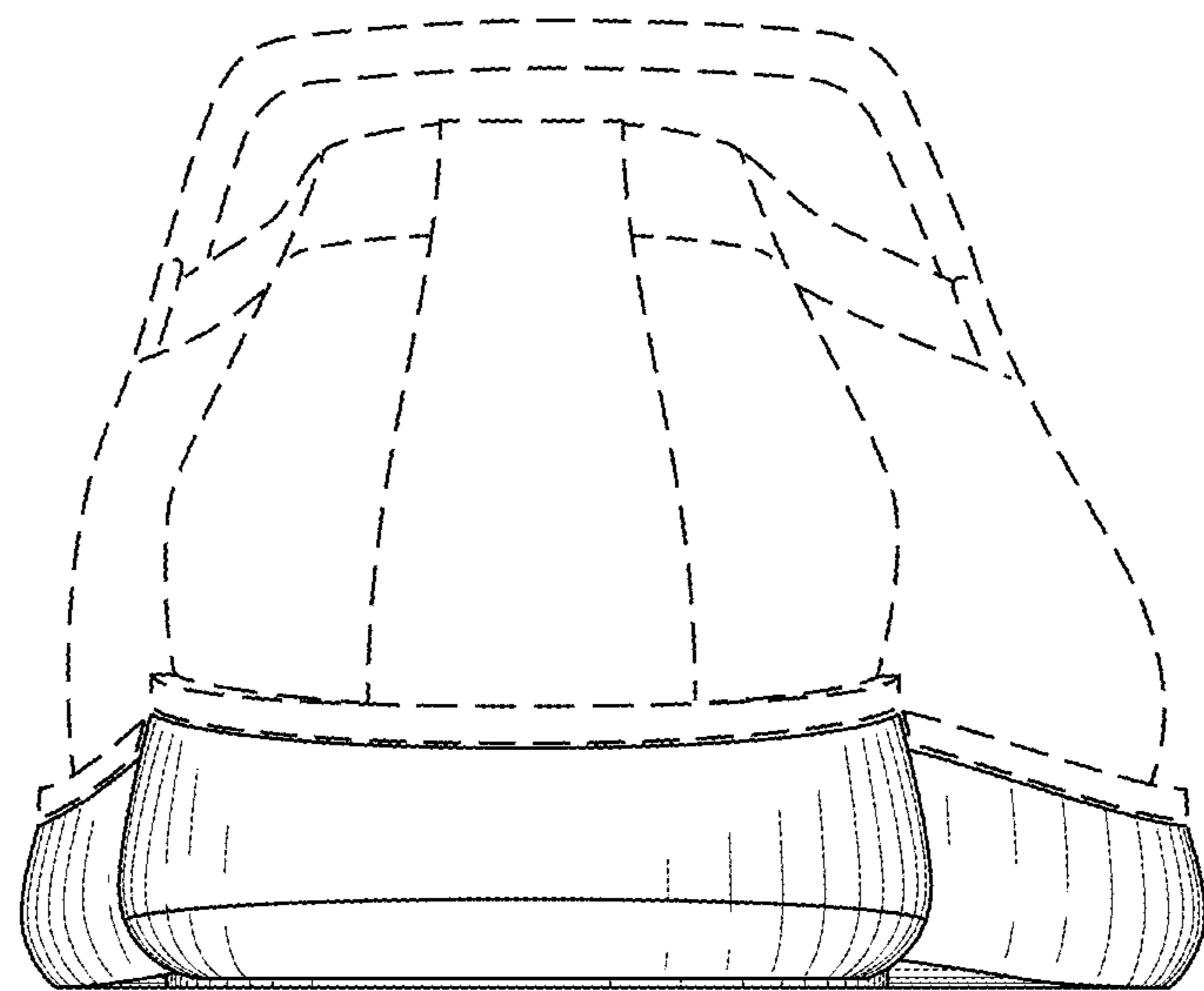


Fig. 6