



US00D935143S

(12) **United States Design Patent**
Whittington

(10) **Patent No.:** **US D935,143 S**
(45) **Date of Patent:** **** Nov. 9, 2021**

- (54) **FOLDABLE SANDAL**
- (71) Applicant: **Peter Charles Whittington**, Oakland Park, FL (US)
- (72) Inventor: **Peter Charles Whittington**, Oakland Park, FL (US)
- (**) Term: **15 Years**
- (21) Appl. No.: **29/722,690**
- (22) Filed: **Jan. 31, 2020**
- (51) **LOC (13) Cl.** **02-04**
- (52) **U.S. Cl.**
USPC **D2/916**; D2/939
- (58) **Field of Classification Search**
USPC D2/896, 903, 916-919, 922, 923-932, D2/935, 936, 939, 947, 961, 969, 971, D2/978; 36/7.3, 7.5, 7.6, 8.1, 11.5, 4
CPC .. A43B 3/10; A43B 3/12; A43B 3/122; A43B 3/124; A43B 3/126; A43B 3/128; A43B 3/0005; A43B 3/101; A43B 3/102; A43B 3/103; A43B 3/105; A43B 3/106; A43B 3/107; A43B 3/108; A43B 1/00; A43B 1/0063; A43B 1/009; A43B 1/10; A43B 1/12; A43B 1/14; A43B 3/24; A43B 3/242; A43B 3/244; A43B 3/246; A43B 3/248; A43B 3/26; A43B 5/08; A43B 5/12; A43B 11/00; A43B 23/00; A43B 23/02; A43B 23/0205; A43B 23/021; A43B 23/0215; A43B 23/04; A43B 23/045; A43B 23/047
See application file for complete search history.

2,776,499 A * 1/1957 Hilaire A43C 15/06
36/135
7,032,327 B1 * 4/2006 Tartaglia A43B 3/108
7,284,341 B2 * 10/2007 Moseley A43B 3/0026
36/103

(Continued)

OTHER PUBLICATIONS

Amazon.com, Swans Foldable Flip Flops, , announced Jul. 19, 2019 [online], [site visited Apr. 5, 2021]. Available from internet, URL:https://www.amazon.com/Foldable-Flip-Flops-Comfortable-Weddings/dp/B07VVFY1BL5/ref=sr_1_2?dchild=1&keywords=foldable%2Bsandals&qid=1617392675&sr=8-2&th=1 (Year: 2019).*

Primary Examiner — Elizabeth J Oswecki
Assistant Examiner — Yelizaveta Y Masalimova
(74) *Attorney, Agent, or Firm* — Laurence A. Greenberg; Werner H. Stemer; Ralph E. Locher

(57) **CLAIM**

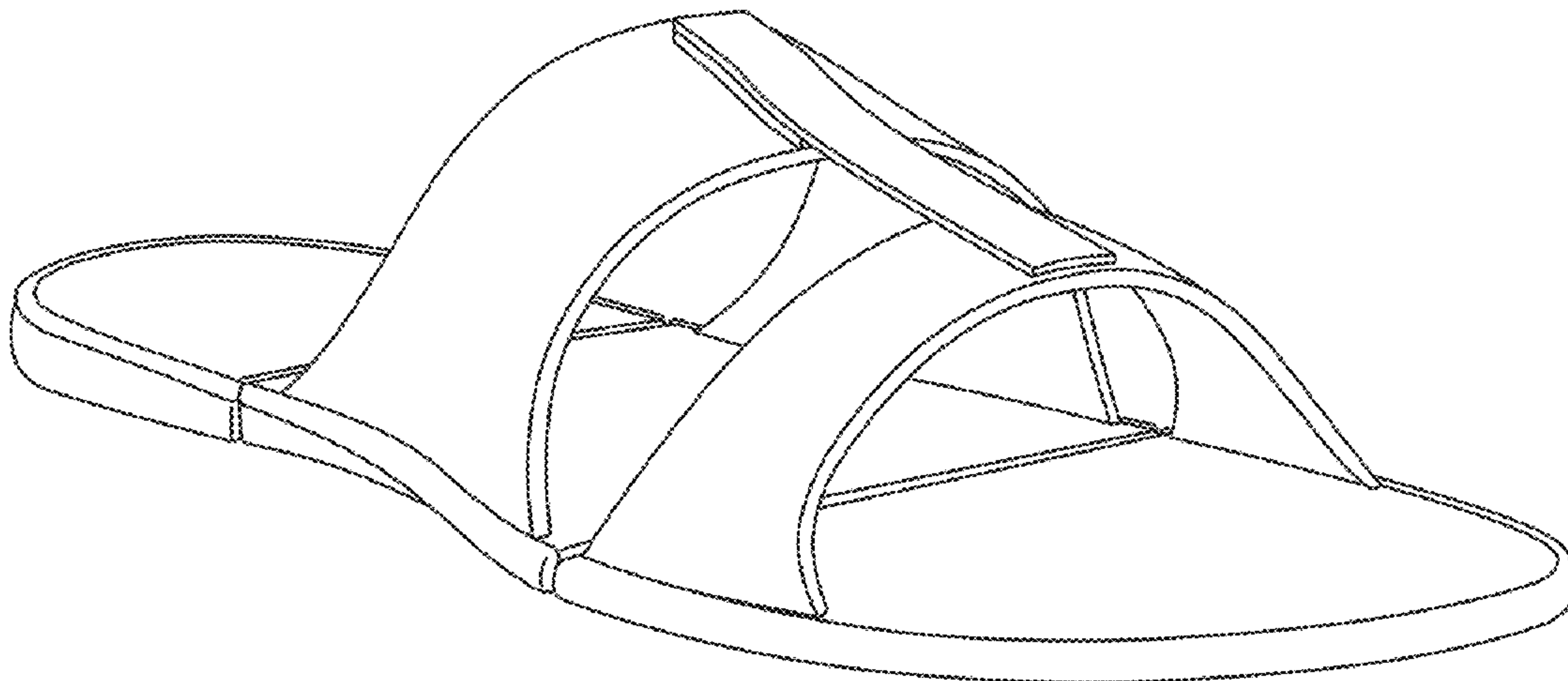
The ornamental design for a foldable sandal, as shown and described.

DESCRIPTION

FIG. 1 is a front left side perspective view of a foldable sandal, showing my new design;
FIG. 2 is a rear left side perspective view thereof;
FIG. 3 is a left side elevation view thereof;
FIG. 4 is a top, plan view thereof;
FIG. 5 is a bottom, plan view thereof;
FIG. 6 is a front elevational view thereof;
FIG. 7 is a rear elevational view thereof;
FIG. 8 is a side view thereof in which the foldable sandal is in a partially folded state;
FIG. 9 is a rear right perspective view of FIG. 8;
FIG. 10 is a rear view of FIG. 9 in which the foldable sandal is in a fully folded state; and,
FIG. 11 is a side view of FIG. 10, shown in a used condition with a broken line carrying case.

(Continued)

- (56) **References Cited**
U.S. PATENT DOCUMENTS
2,114,421 A * 4/1938 Giuffre A43B 13/223
36/11.5
2,177,571 A * 10/1939 Kirke A43B 13/16
36/11.5



The broken lines shown in the drawings of a carrying case in FIG. 11 form no part of the claimed design.

1 Claim, 9 Drawing Sheets

(56)

References Cited

U.S. PATENT DOCUMENTS

| | | | |
|-------------------|---------|----------------|-------------|
| D584,034 S * | 1/2009 | Sawhney | D2/916 |
| D610,785 S * | 3/2010 | Smith | A43B 3/248 |
| | | | D2/947 |
| D655,898 S * | 3/2012 | Mann | D2/917 |
| 9,089,184 B1 * | 7/2015 | Kiser | A43B 3/248 |
| 10,130,137 B2 * | 11/2018 | Edwards | A43B 13/141 |
| 2006/0174513 A1 * | 8/2006 | Martinez | A43B 3/24 |
| | | | 36/11.5 |

| | | | |
|-------------------|---------|-----------------|-------------|
| 2009/0193685 A1 * | 8/2009 | Wilson | A43B 3/248 |
| | | | 36/102 |
| 2010/0281713 A1 * | 11/2010 | Pantazes | A43B 3/10 |
| | | | 36/102 |
| 2011/0016748 A1 * | 1/2011 | Soler | A43B 3/10 |
| | | | 36/102 |
| 2011/0094125 A1 * | 4/2011 | Weightman | A43B 3/24 |
| | | | 36/102 |
| 2012/0079745 A1 * | 4/2012 | Shalom | A43B 3/108 |
| | | | 36/102 |
| 2014/0310992 A1 * | 10/2014 | Shalom | A43B 3/246 |
| | | | 36/103 |
| 2014/0373396 A1 * | 12/2014 | Chang | A43B 3/128 |
| | | | 36/30 R |
| 2015/0143722 A1 * | 5/2015 | Faggini | A43B 3/108 |
| | | | 36/25 R |
| 2018/0140048 A1 * | 5/2018 | Shi | A43B 3/0005 |
| 2020/0107605 A1 * | 4/2020 | Anderson | A43B 3/246 |
| 2020/0329808 A1 * | 10/2020 | Bialuk | A43B 3/10 |
| 2020/0390184 A1 * | 12/2020 | Caulk | A43B 3/248 |

* cited by examiner

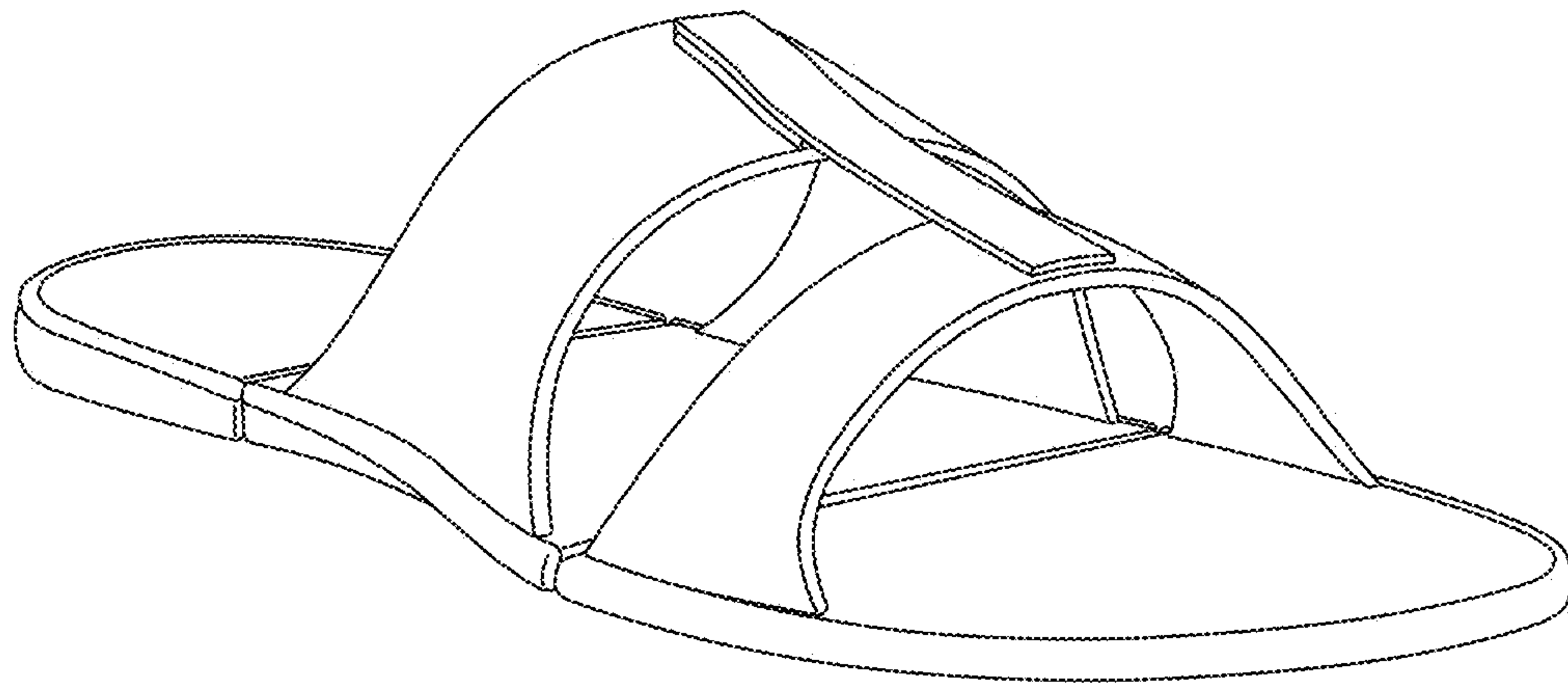


Fig. 1

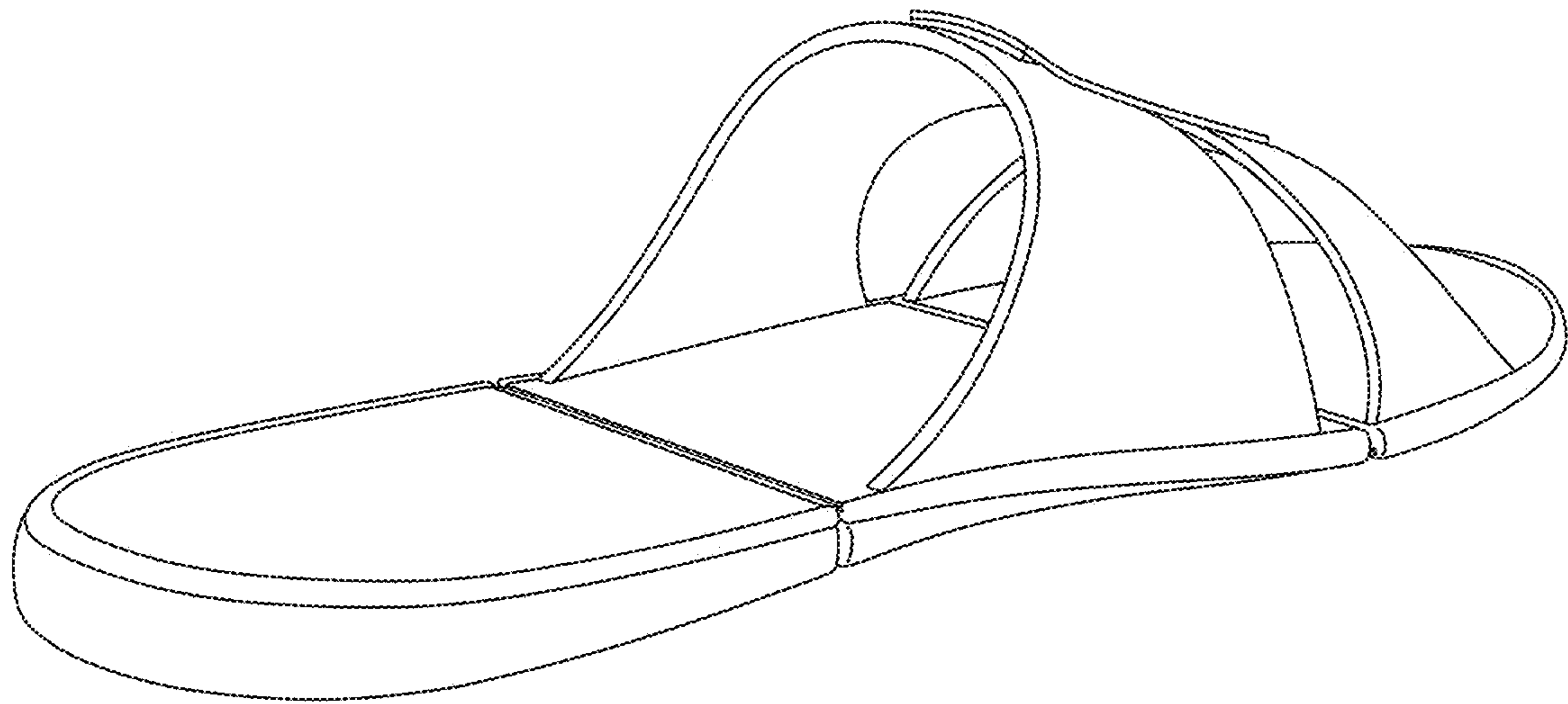


Fig. 2

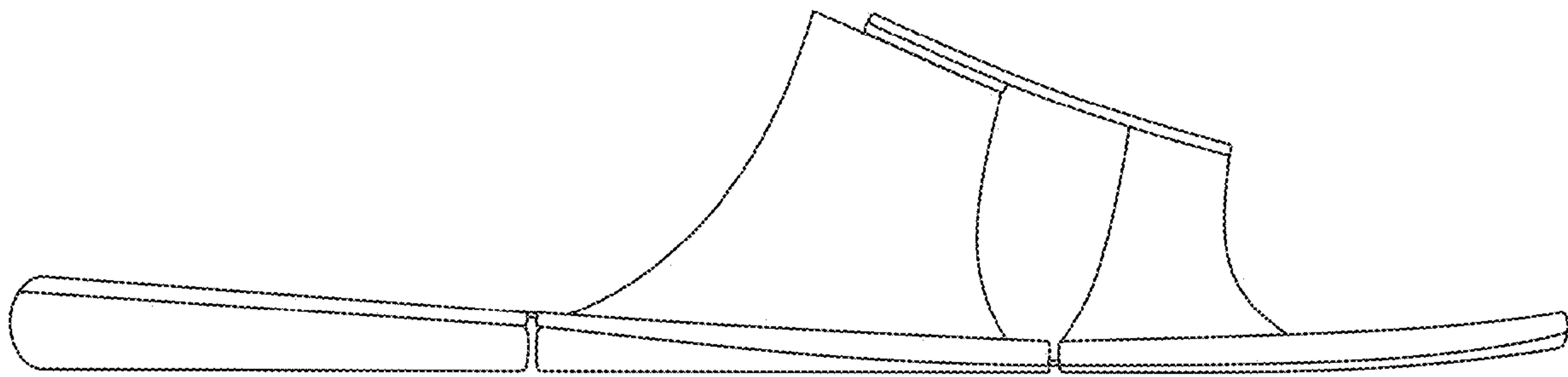


Fig. 3

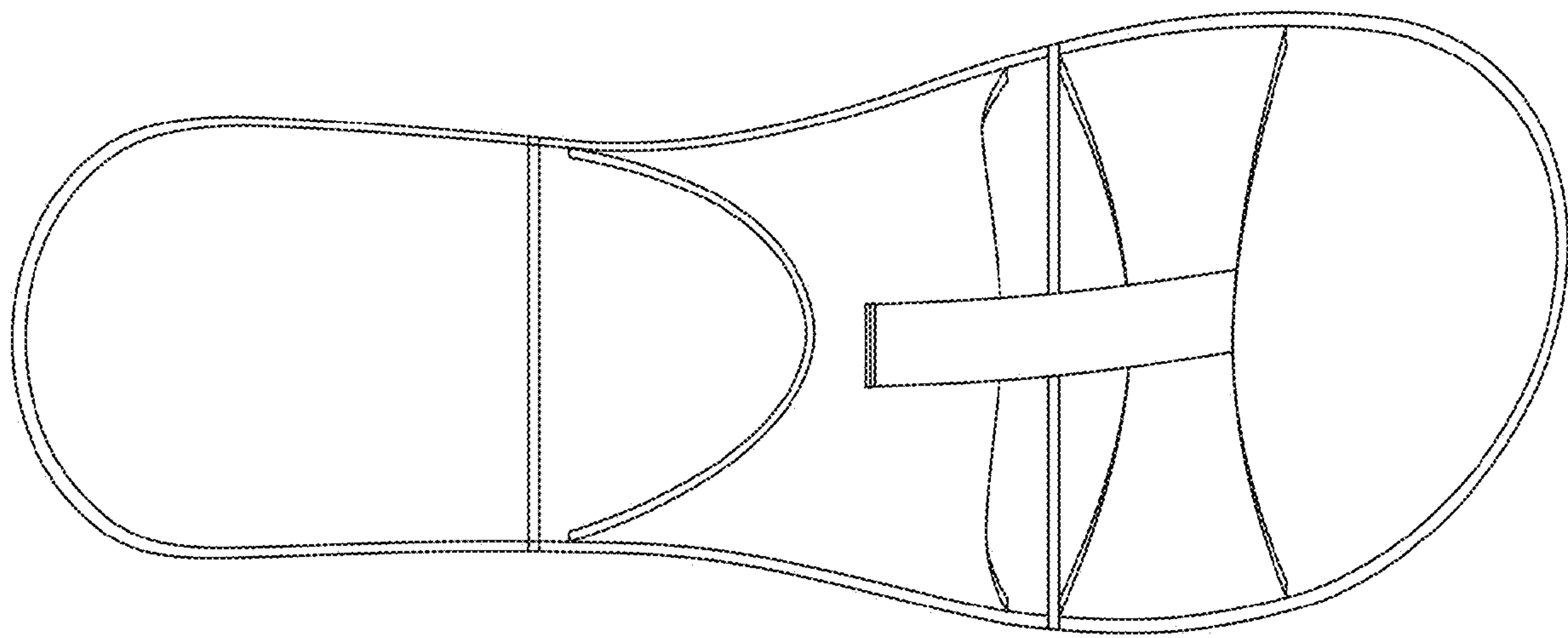


Fig. 4

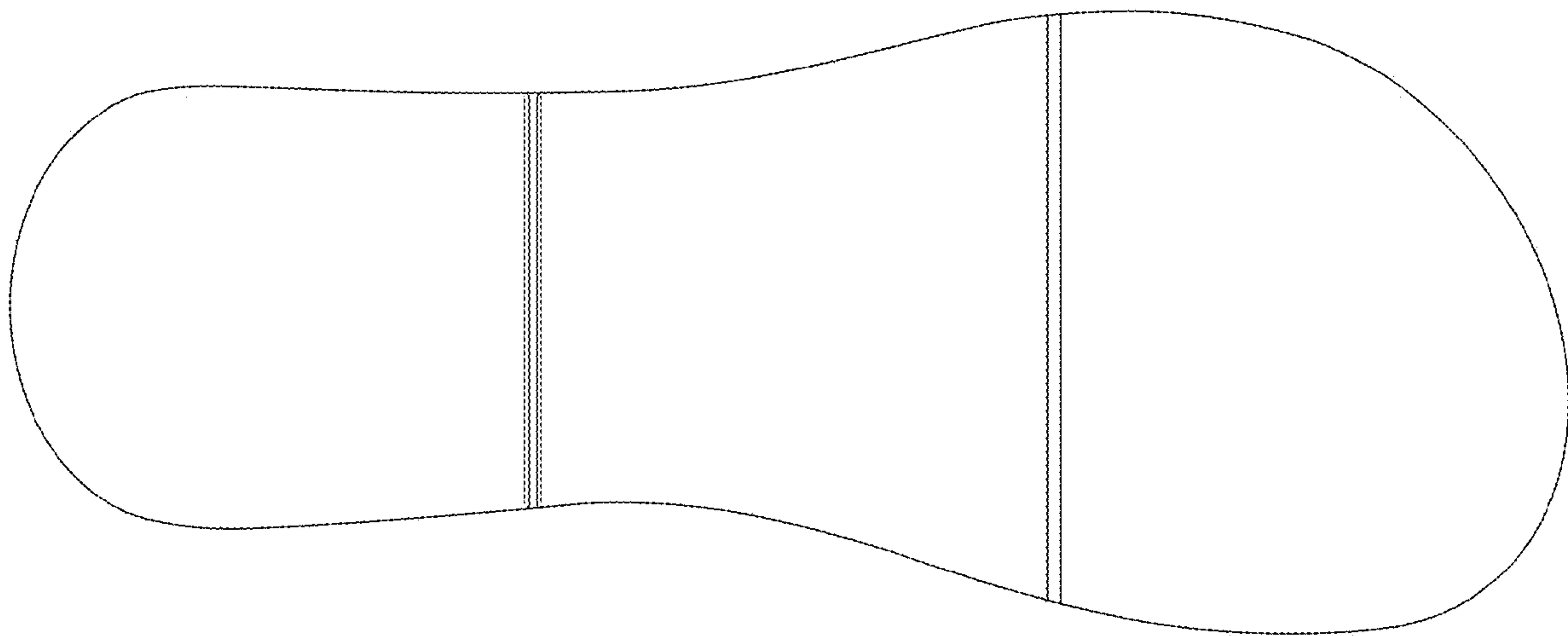


Fig. 5

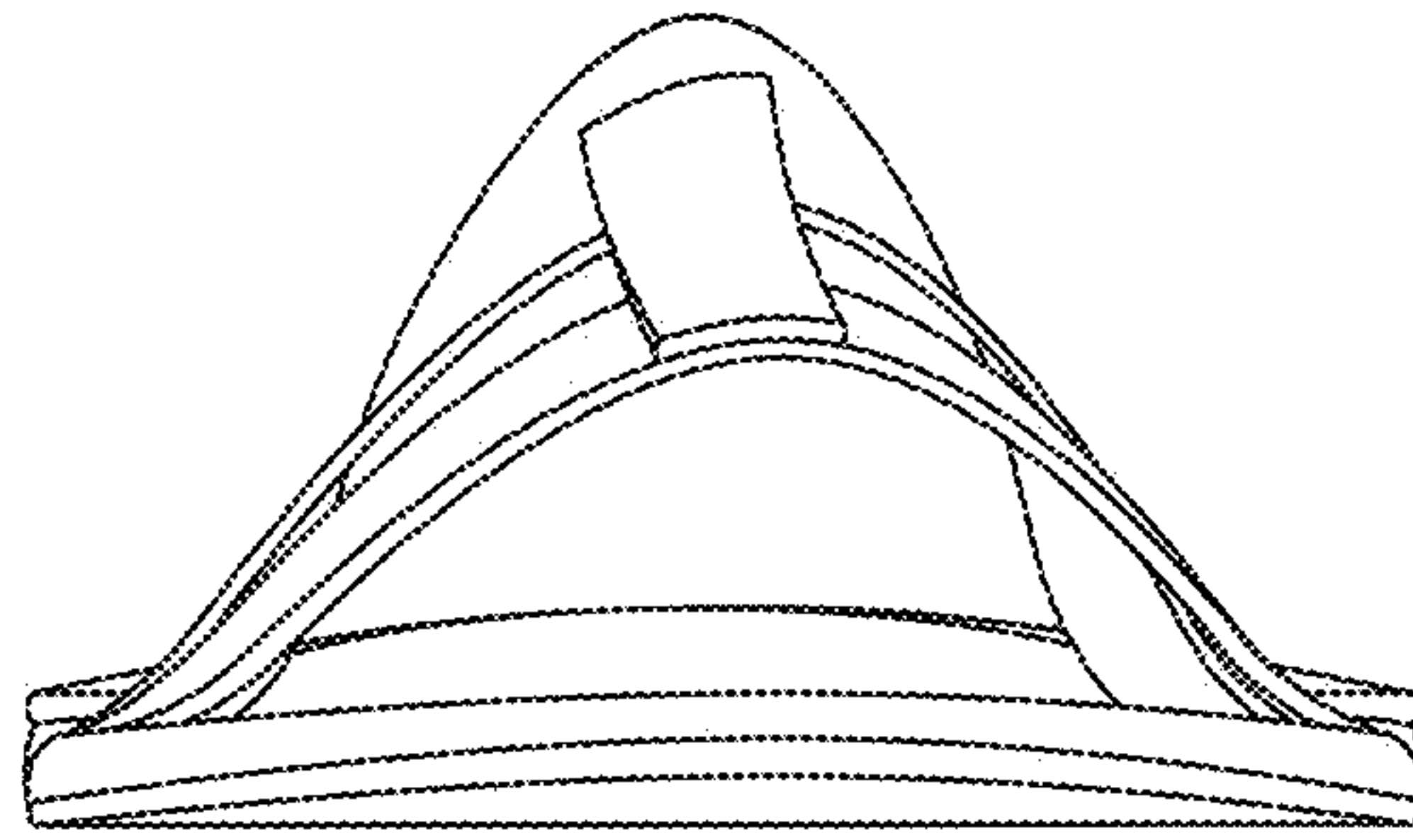


Fig. 6

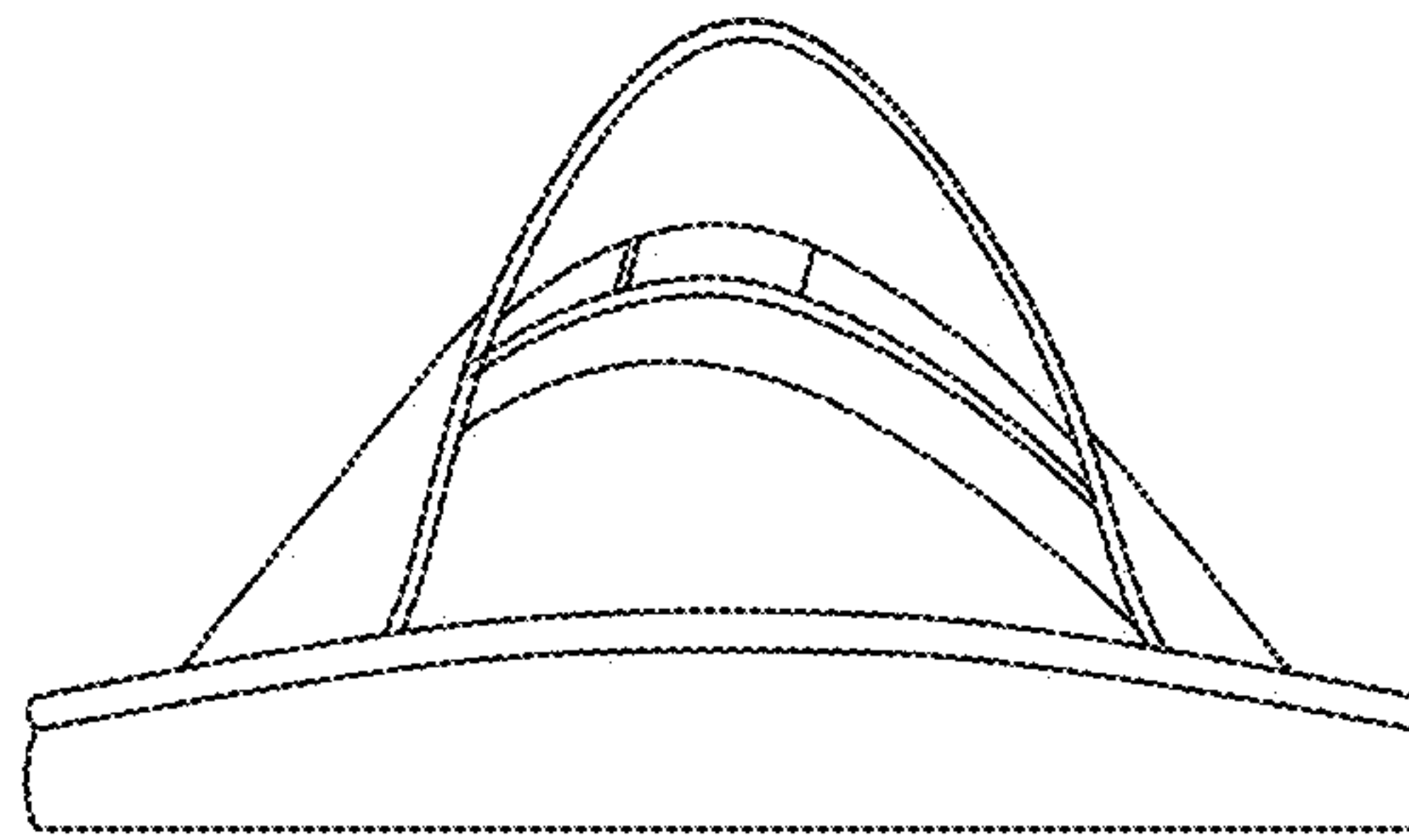


Fig. 7

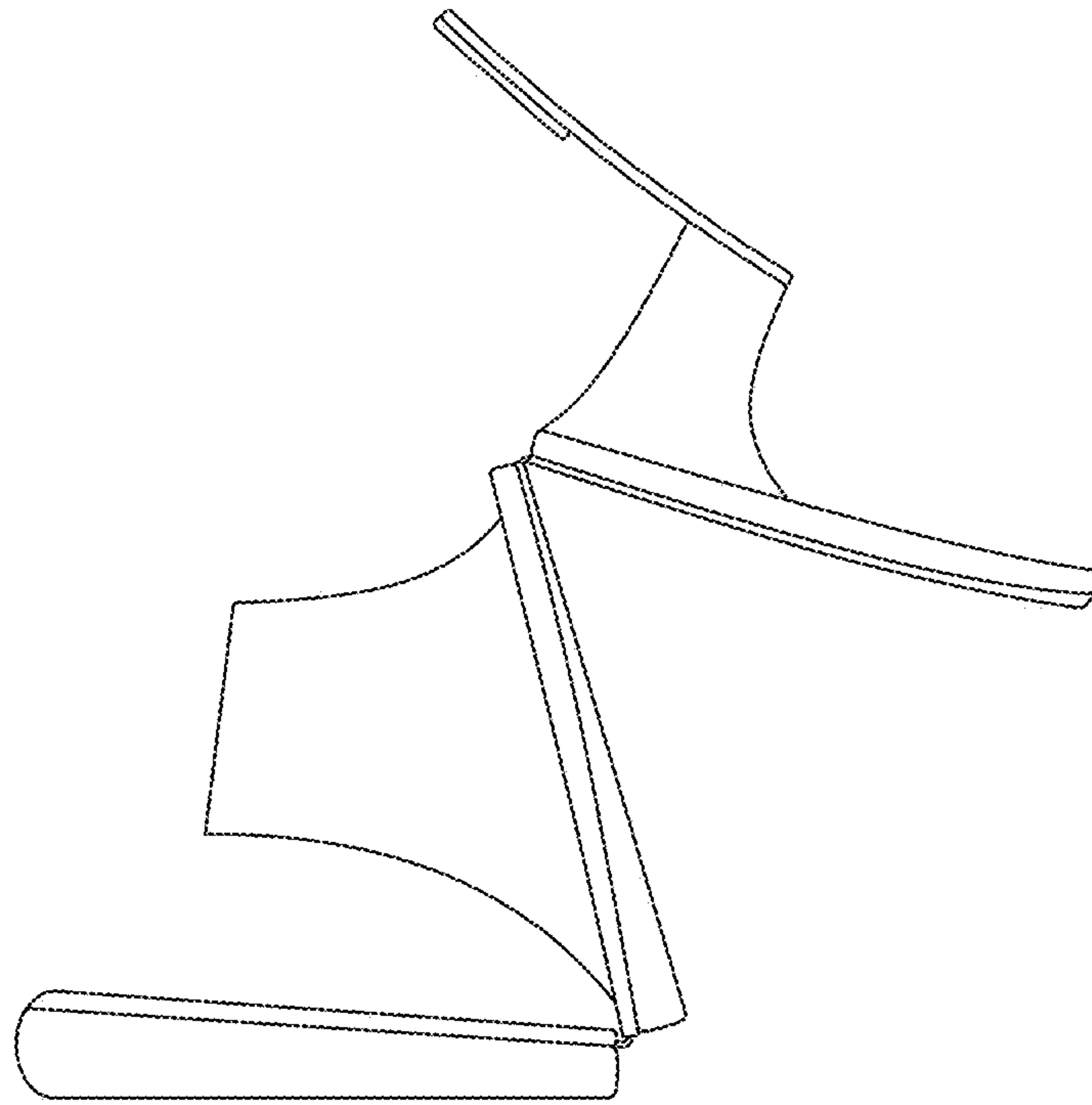


Fig. 8

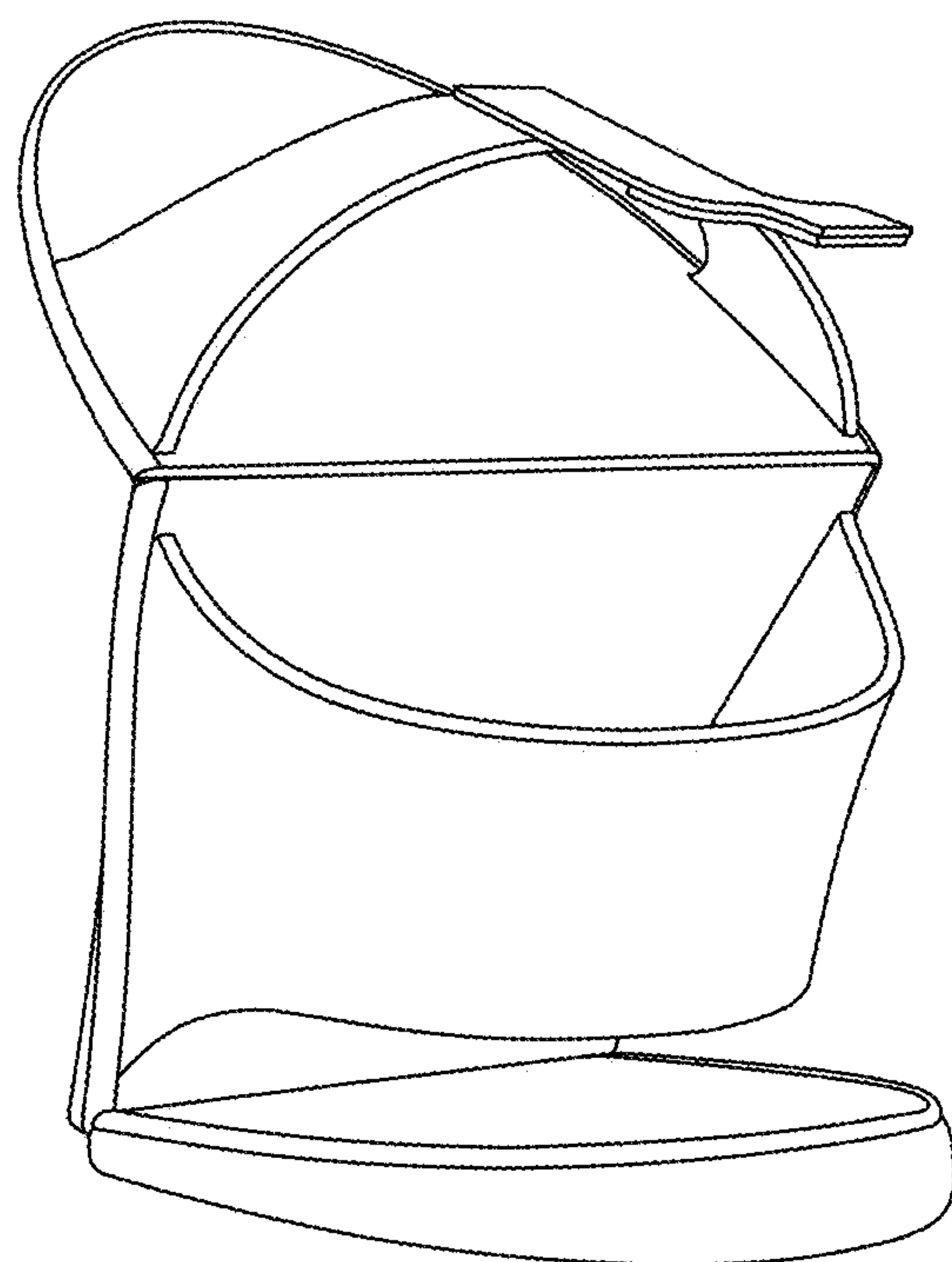


Fig. 9

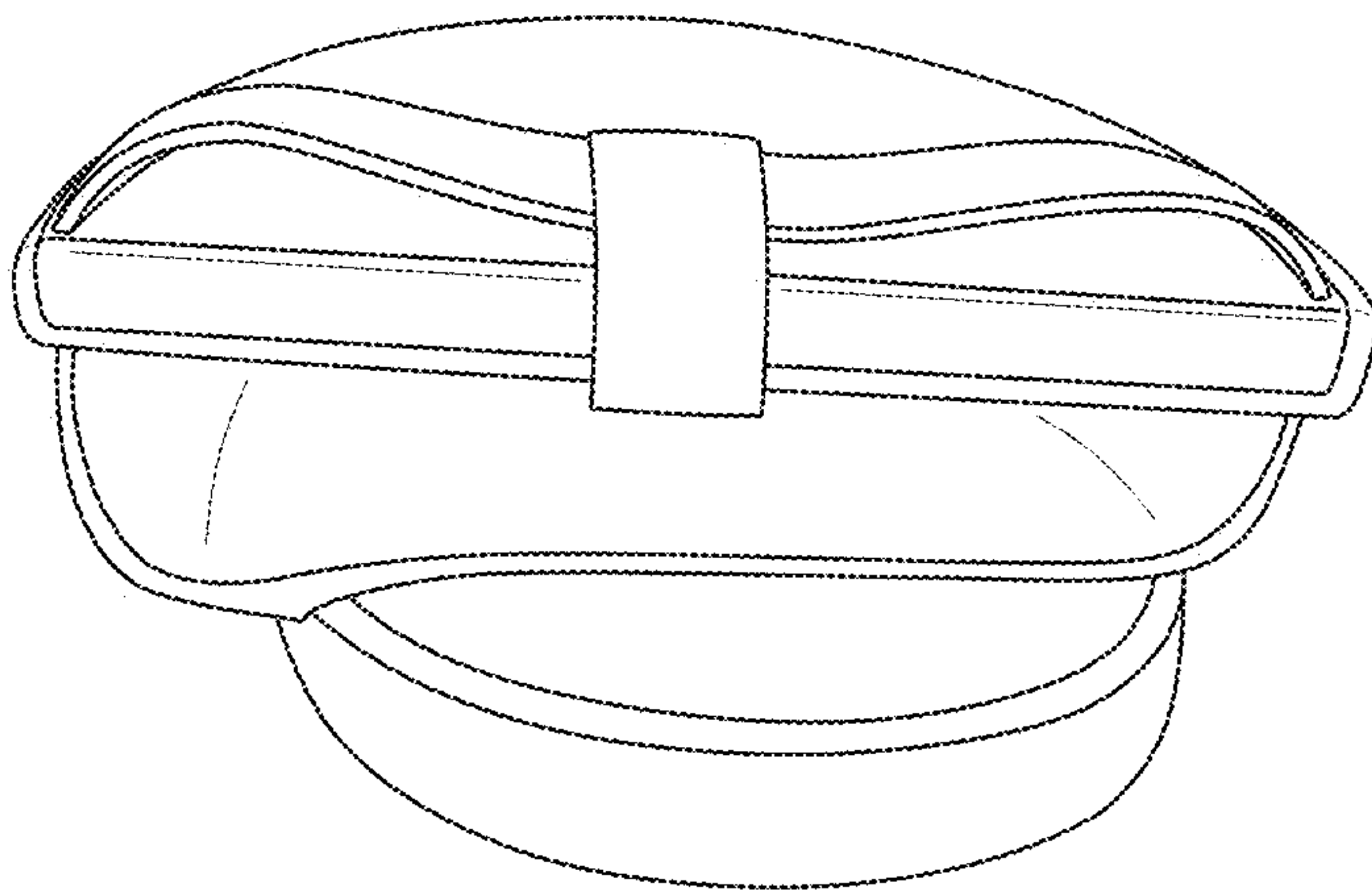


Fig. 10

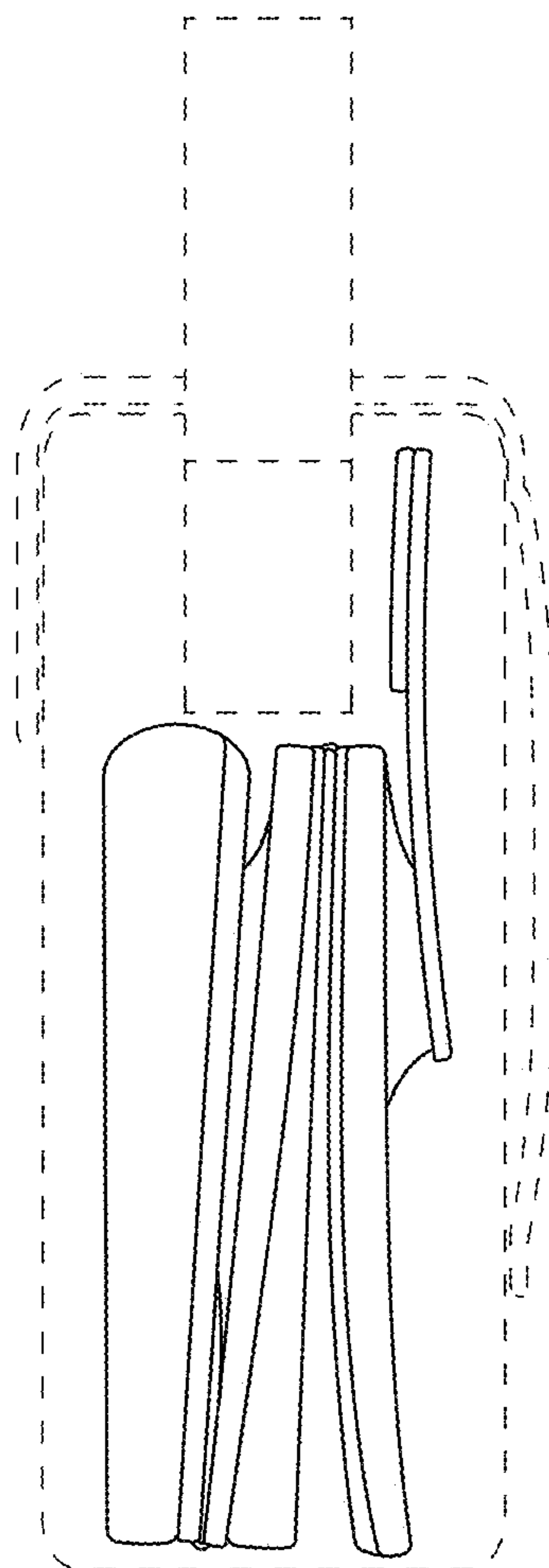


Fig. 11