



US00D935138S

(12) **United States Design Patent**
Zhang

(10) **Patent No.:** **US D935,138 S**

(45) **Date of Patent:** **** Nov. 9, 2021**

- (54) **HAT**
- (71) Applicant: **Xiangcheng Lianzilan Clothing Co., Ltd.**, Xiangcheng (CN)
- (72) Inventor: **Weiming Zhang**, Xiangcheng (CN)
- (**) Term: **15 Years**
- (21) Appl. No.: **29/733,839**
- (22) Filed: **May 7, 2020**
- (51) **LOC (13) Cl.** **02-03**
- (52) **U.S. Cl.**
USPC **D2/880**
- (58) **Field of Classification Search**
USPC D2/865, 866, 867, 868, 870, 873, 878,
D2/879, 880, 881, 883, 893; D29/102,
D29/106
CPC .. A42B 1/00; A42B 1/006; A42B 1/04; A42B
1/041; A42B 1/045; A42B 1/046; A42B
1/048; A42B 5/00; A42C 5/00; A42C
5/04; A45D 8/40
See application file for complete search history.

- D134,772 S * 1/1943 Harpignies D2/877
- D136,853 S * 12/1943 Goodman D2/881
- D472,367 S * 4/2003 Maya D2/880
- D610,779 S * 3/2010 Rhodes D2/867
- D624,283 S * 9/2010 Rhodes D2/867
- D665,560 S * 8/2012 Shakir D2/881
- D701,679 S * 4/2014 Keppler D2/881
- D734,594 S * 7/2015 Phillips D2/880
- 9,901,132 B2 * 2/2018 Hairston A42B 1/041
- 2019/0045864 A1 * 2/2019 Teat A42B 1/225

* cited by examiner

Primary Examiner — Jasmine Mlinarcik

(57) **CLAIM**

The ornamental design for a hat, as shown and described.

DESCRIPTION

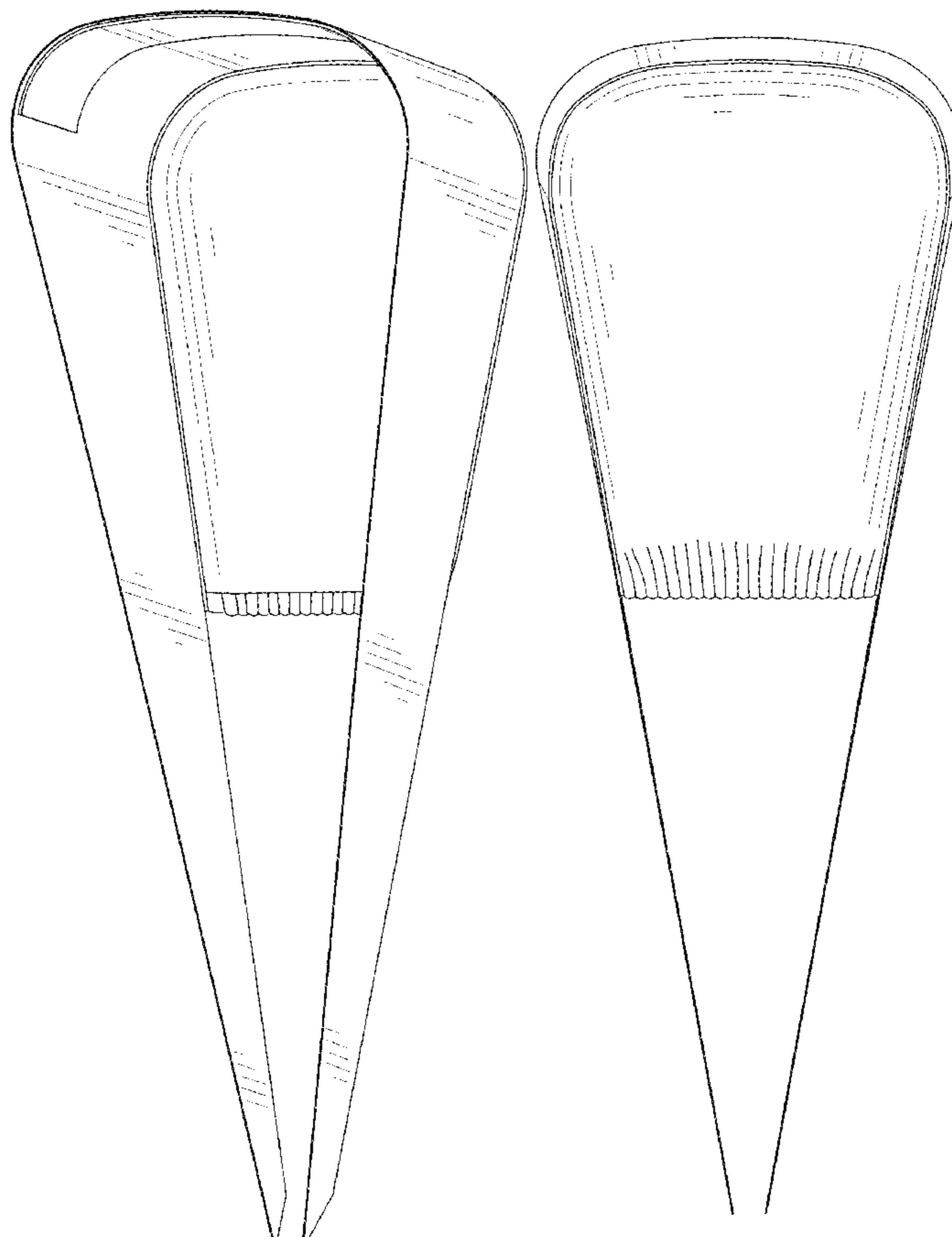
FIG. 1 is a first perspective view of a hat showing my new design;
 FIG. 2 is a second perspective view thereof;
 FIG. 3 is a front view thereof;
 FIG. 4 is a back view thereof;
 FIG. 5 is a left side view thereof;
 FIG. 6 is a right side view thereof;
 FIG. 7 is a top view thereof; and,
 FIG. 8 is a bottom view thereof.

1 Claim, 8 Drawing Sheets

(56) **References Cited**

U.S. PATENT DOCUMENTS

- D108,831 S * 3/1938 Forman D2/880
- D128,910 S * 8/1941 Jacobson D2/877



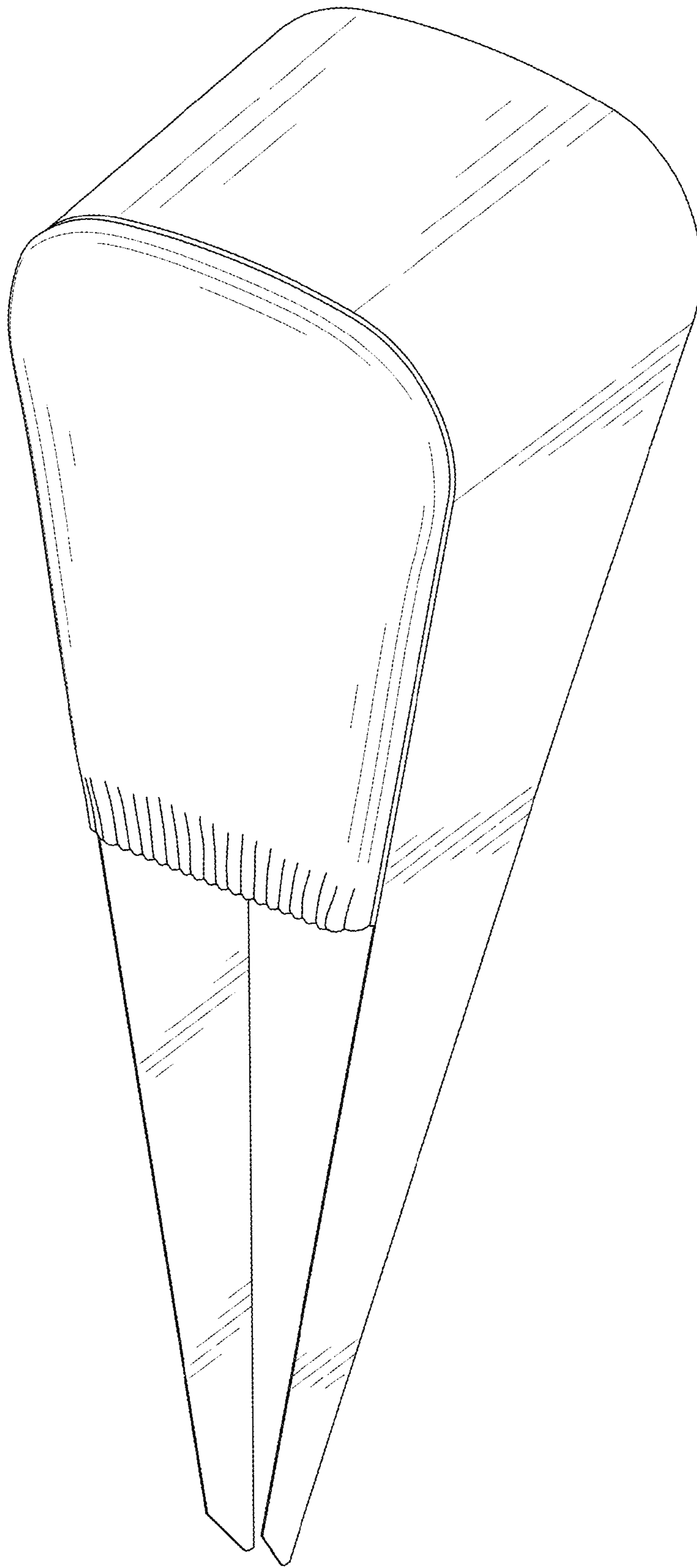


FIG. 1

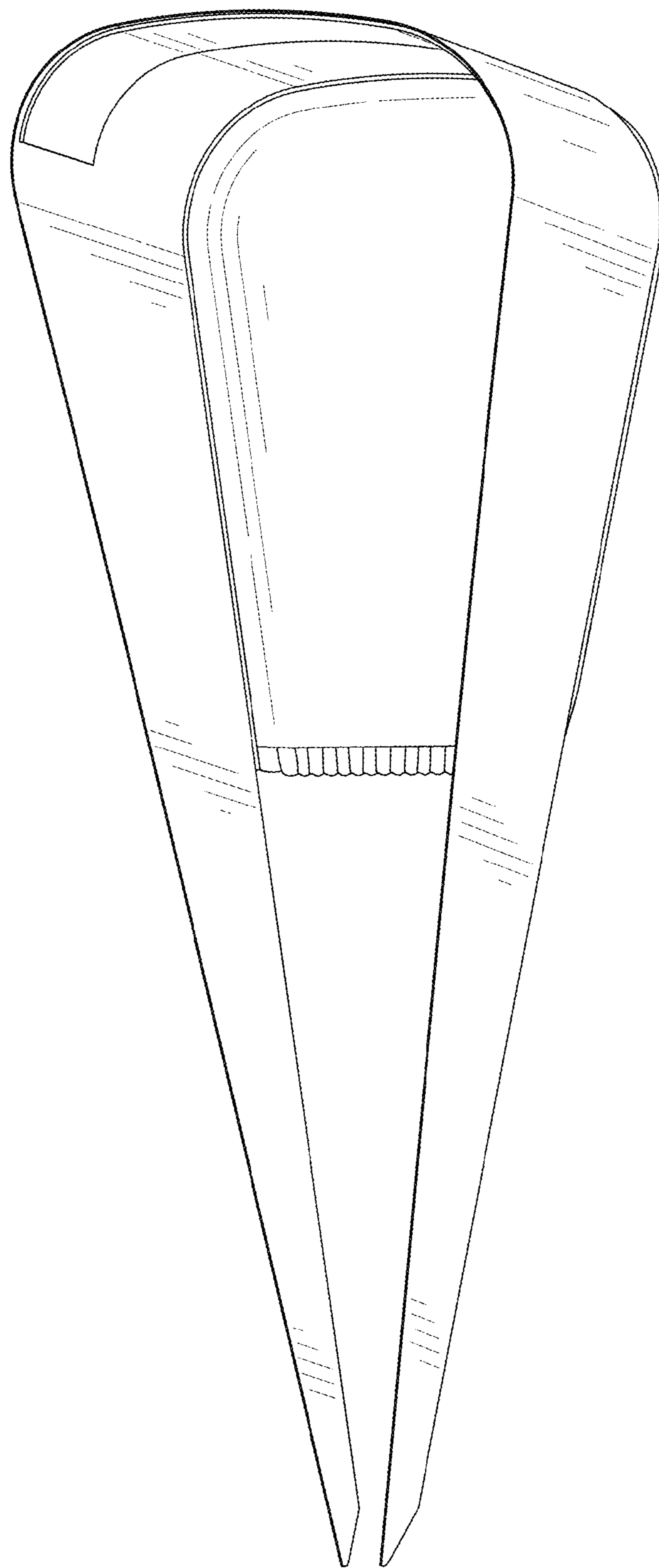


FIG. 2

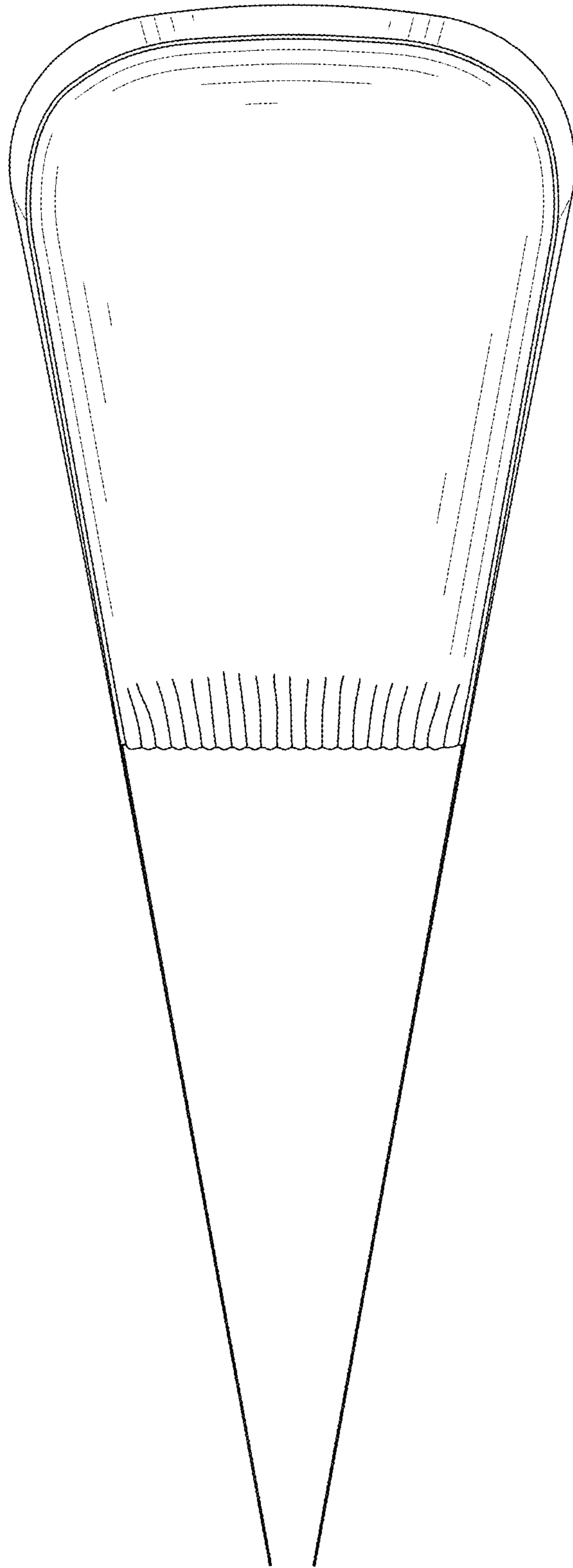


FIG. 3

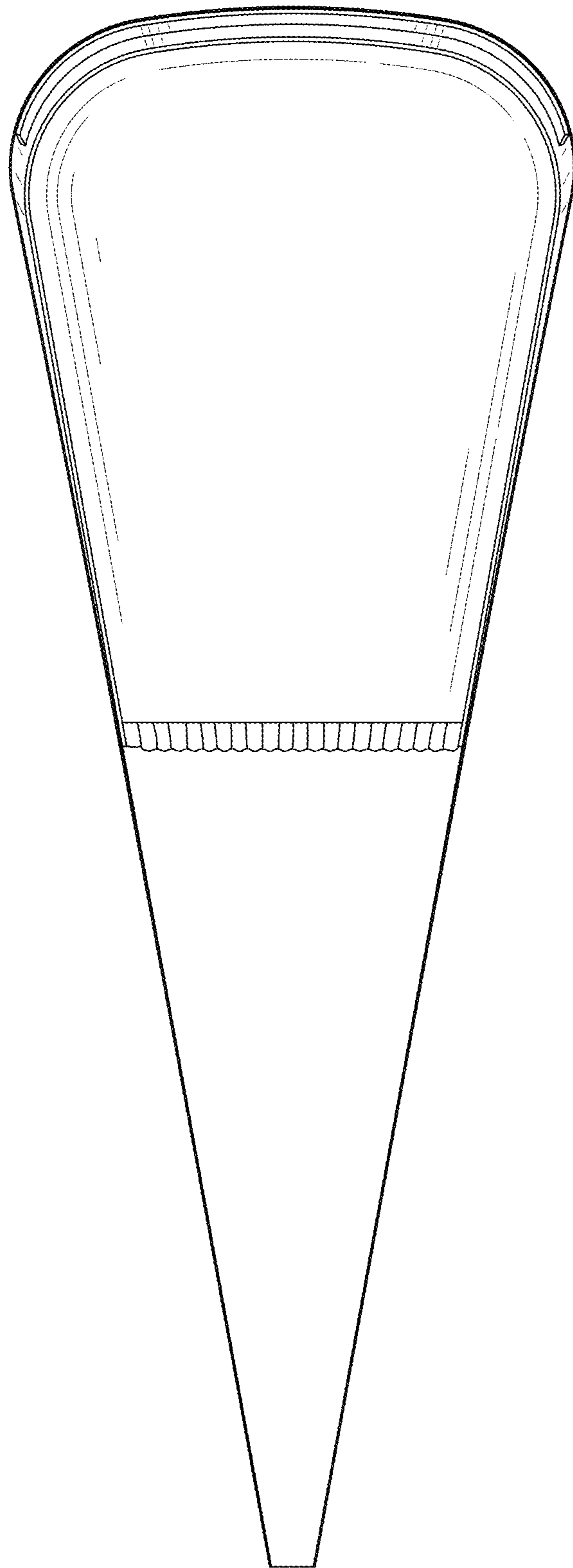


FIG. 4

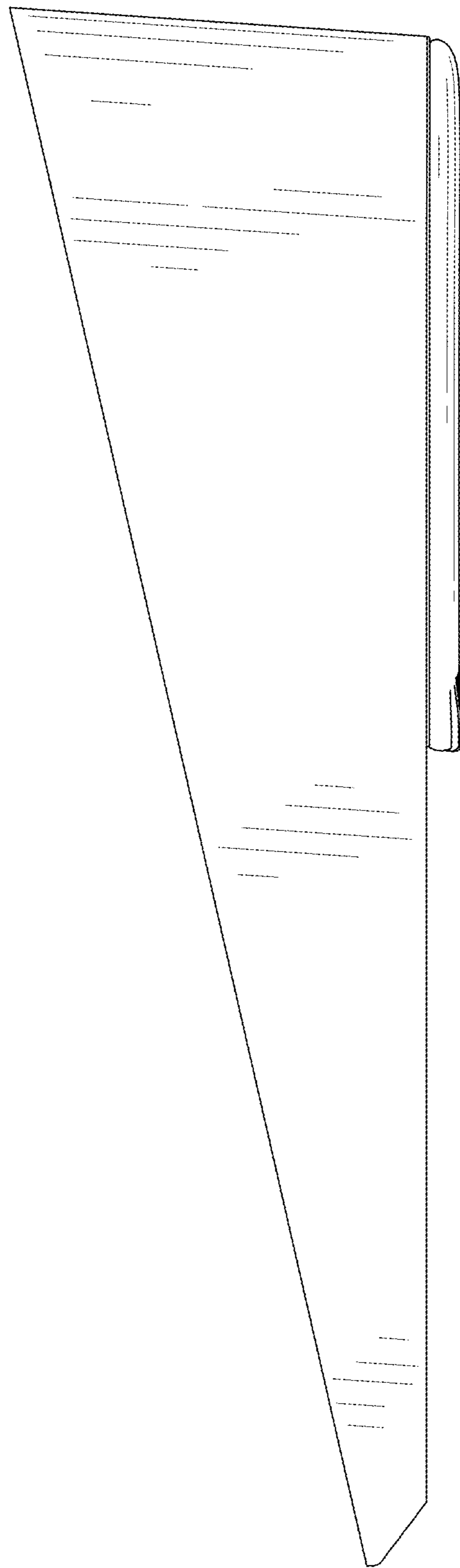


FIG. 5

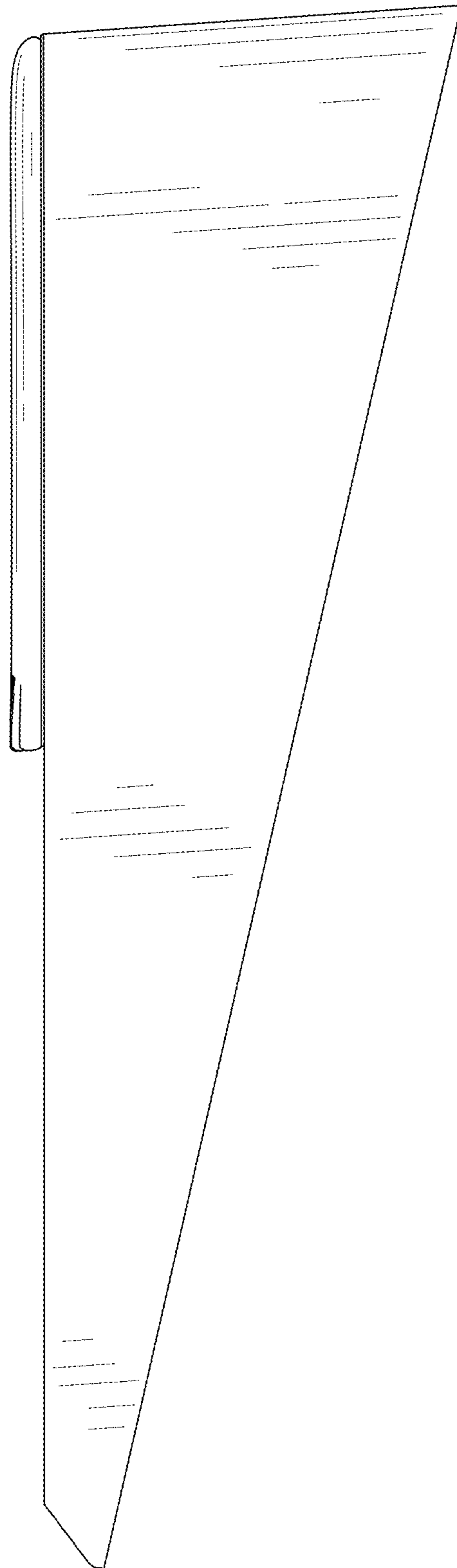


FIG. 6

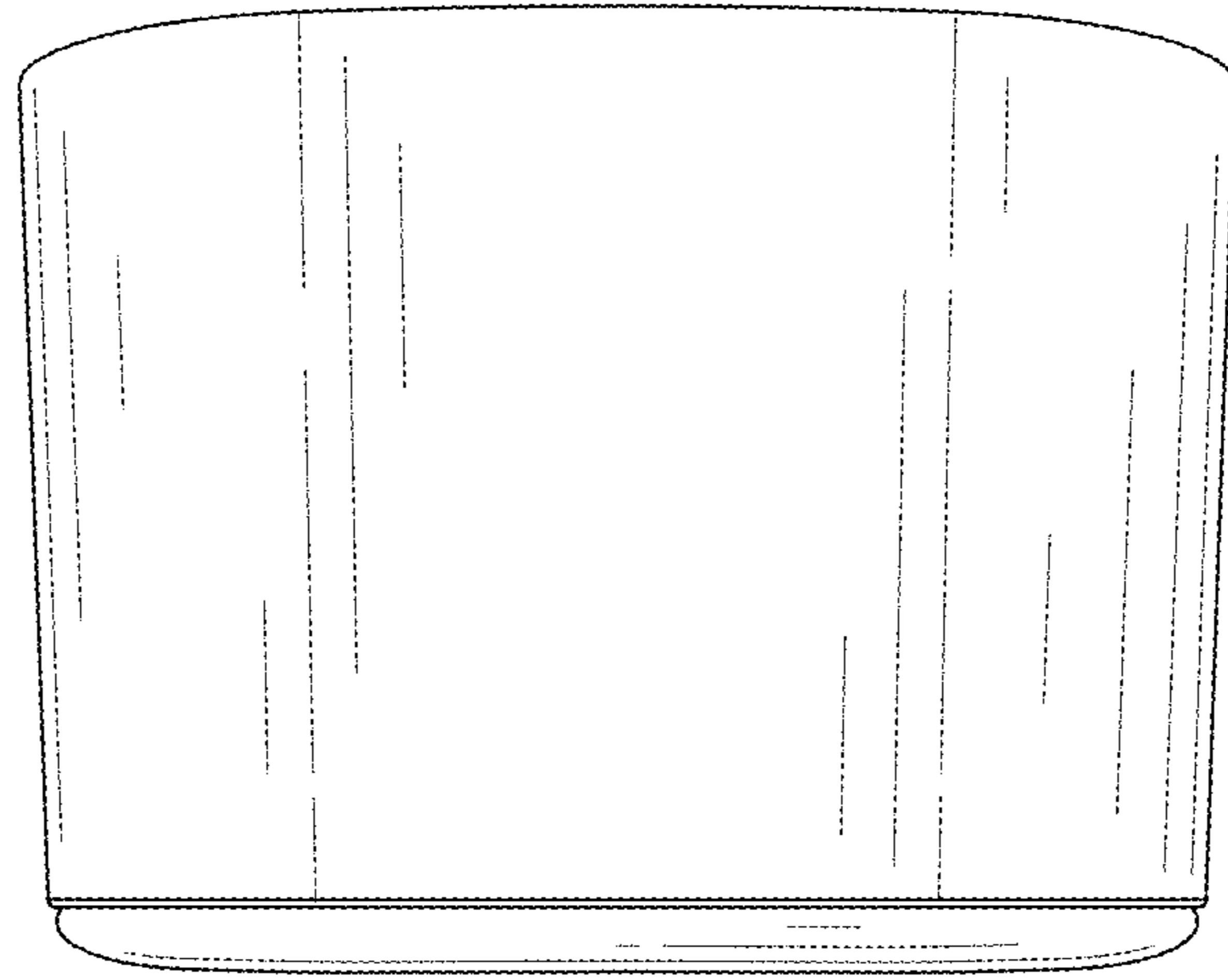


FIG. 7

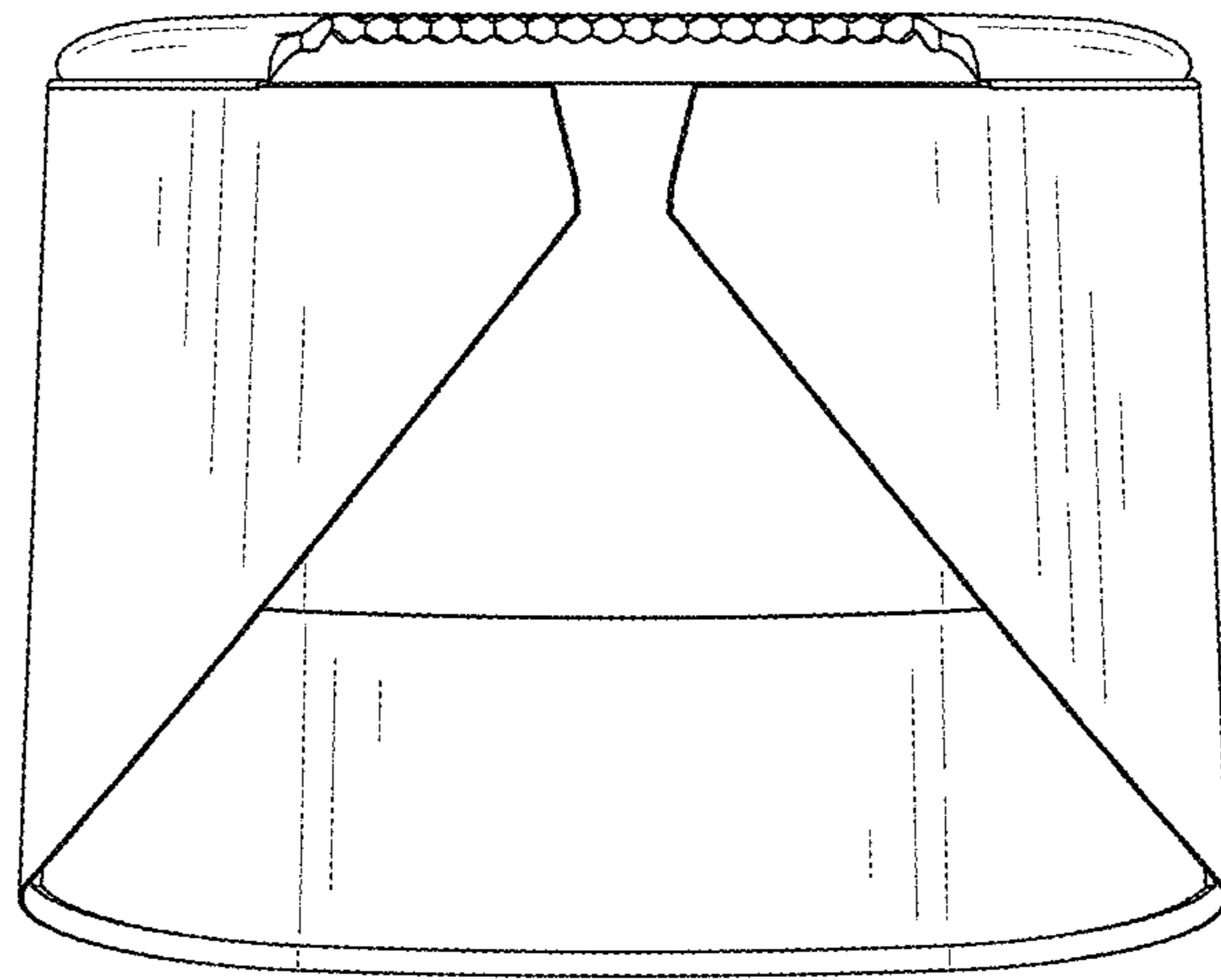


FIG. 8