



US00D935135S

(12) **United States Design Patent** (10) **Patent No.:** **US D935,135 S**
Barlow (45) **Date of Patent:** **** Nov. 9, 2021**

(54) **SWIMSUIT BOTTOM**
(71) Applicant: **NANI SWIMWEAR INC.**, Smithfield, UT (US)
(72) Inventor: **Marissa Barlow**, Smithfield, UT (US)
(73) Assignee: **Nani Swimwear Inc.**, Smithfield, UT (US)

(**) Term: **15 Years**
(21) Appl. No.: **29/740,992**

(22) Filed: **Jul. 8, 2020**
(51) **LOC (13) Cl.** **02-02**
(52) **U.S. Cl.**
USPC **D2/731**

(58) **Field of Classification Search**
USPC D2/700, 702, 704, 705, 712, 713, 714, D2/715, 716, 728, 731, 732, 733, 734, D2/737, 738, 742, 743, 744, 745, 853, D2/857, 627; D3/224, 225, 226; D21/662, 683
CPC A41B 11/14; A41B 11/143; A41B 11/146; A41B 9/00; A41B 9/02; A41B 9/002; A41B 9/04; A41B 9/14; A41D 1/06; A41D 1/062; A41D 1/065; A41D 1/08; A41D 1/084; A41D 1/088; A41D 7/00; A41D 7/005; A41D 13/0015; A41D 13/0017; A41D 13/02; A41D 27/24; A41D 27/245; A41D 2400/24; A41D 2400/38; A41D 17/02
See application file for complete search history.

(56) **References Cited**
U.S. PATENT DOCUMENTS
5,724,679 A * 3/1998 Hans A41D 27/20 2/238
D630,414 S * 1/2011 Calabria D2/712
D754,948 S * 5/2016 Cockram D2/853
9,486,015 B2 * 11/2016 Shinn A41B 9/04

D816,303 S * 5/2018 Diakonov D2/857
D818,243 S * 5/2018 Butler D2/737
D907,897 S * 1/2021 Barlow D2/731
D908,318 S * 1/2021 Barlow D2/738
D919,233 S * 5/2021 Johnson D2/738
2008/0189832 A1 * 8/2008 Oscher A41D 7/005 2/400

OTHER PUBLICATIONS

Nani Swimwear with Pockets, [online video]; [video uploaded to the internet on Jan. 26, 2018]; [retrieved from the internet on Sep. 24, 2021]; URL: <https://www.youtube.com/watch?v=JiSTaKefDYg>. (3 pages). (Year: 2018).*
Nani Swimwear, [online photo]; [photo published to the internet on Aug. 22, 2018]; [retrieved from the internet on Sep. 24, 2021]; URL: <https://www.facebook.com/shopnaniswimwear/photos/a.1815930775308905/2205522433016402/?type=3>. (1 page). (Year: 2018).*

* cited by examiner

Primary Examiner — Jasmine Mlinarcik
(74) *Attorney, Agent, or Firm* — Preston P. Frischknecht; Project CIP

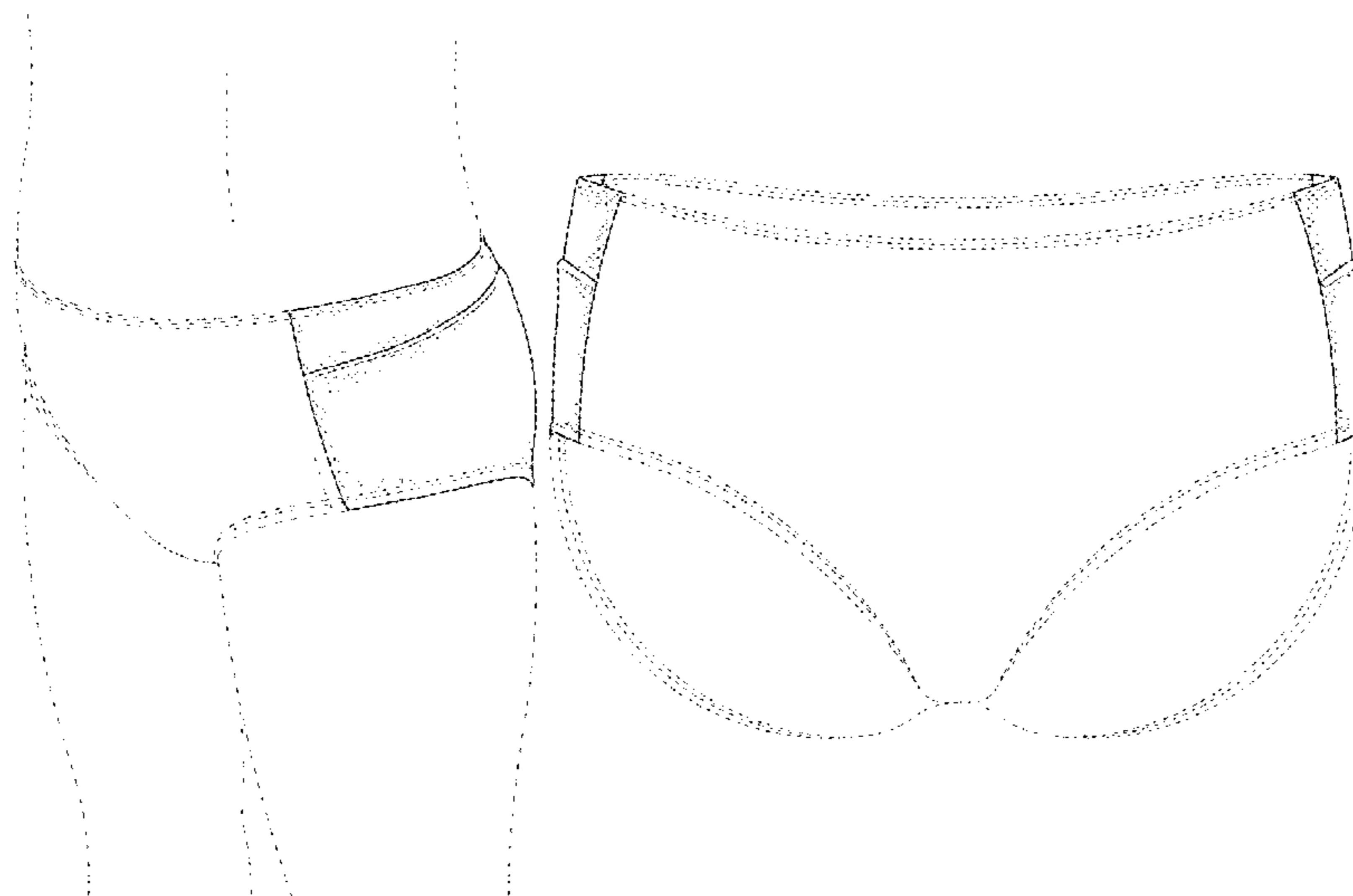
(57) **CLAIM**

The ornamental design for a swimsuit bottom, as shown and described.

DESCRIPTION

FIG. 1 is a perspective view of a swimsuit bottom;
FIG. 2 is a front view;
FIG. 3 is a back view;
FIG. 4 is a left side view;
FIG. 5 is a right side view;
FIG. 6 is a top view; and,
FIG. 7 is a bottom view.
The dashed lines depict portions of the swimsuit bottom that form no part of the claimed design. The dash dot dot lines depict stitching of the swimsuit bottom that forms no part of the claimed design.

1 Claim, 7 Drawing Sheets



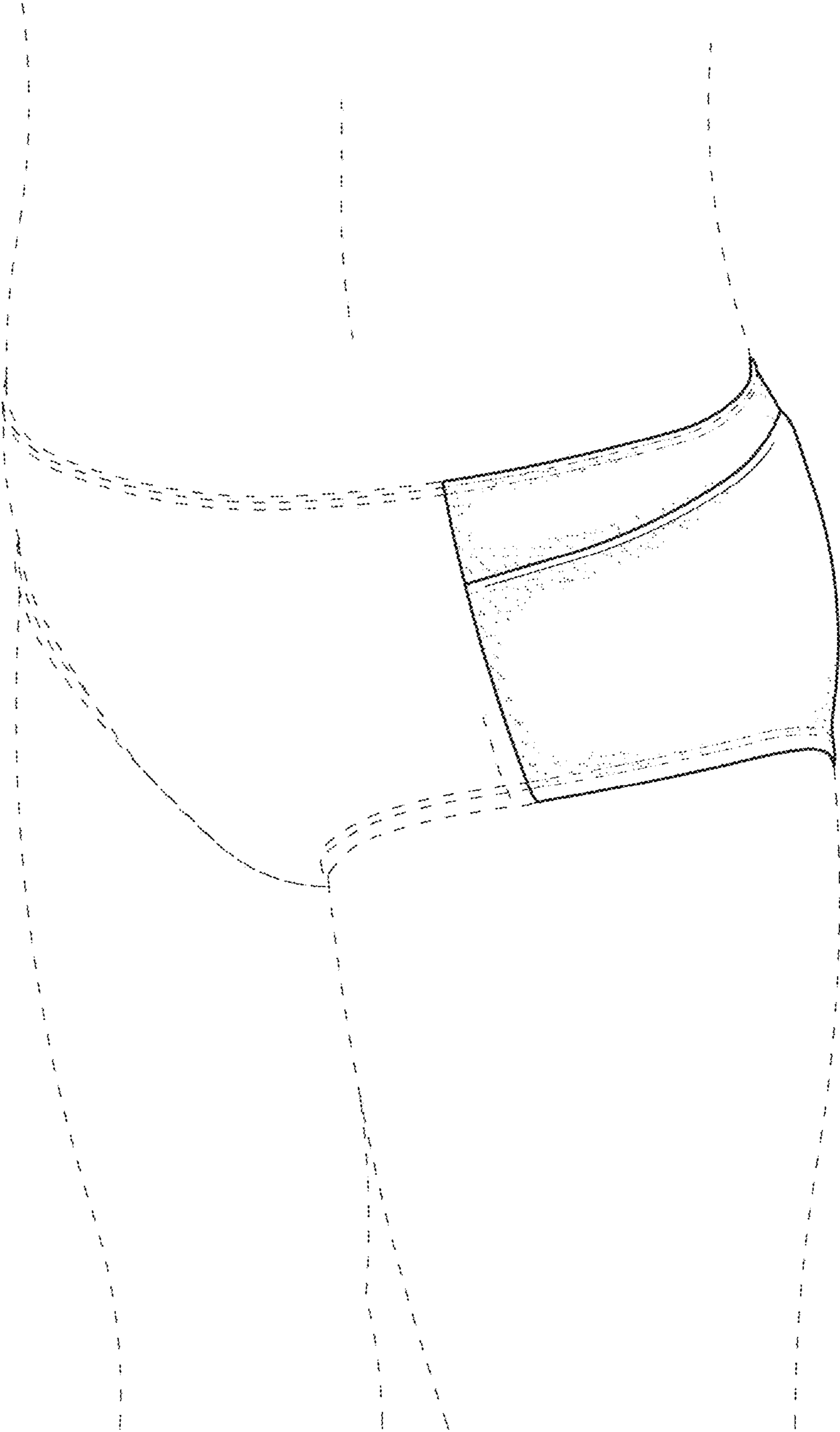


FIG. 1

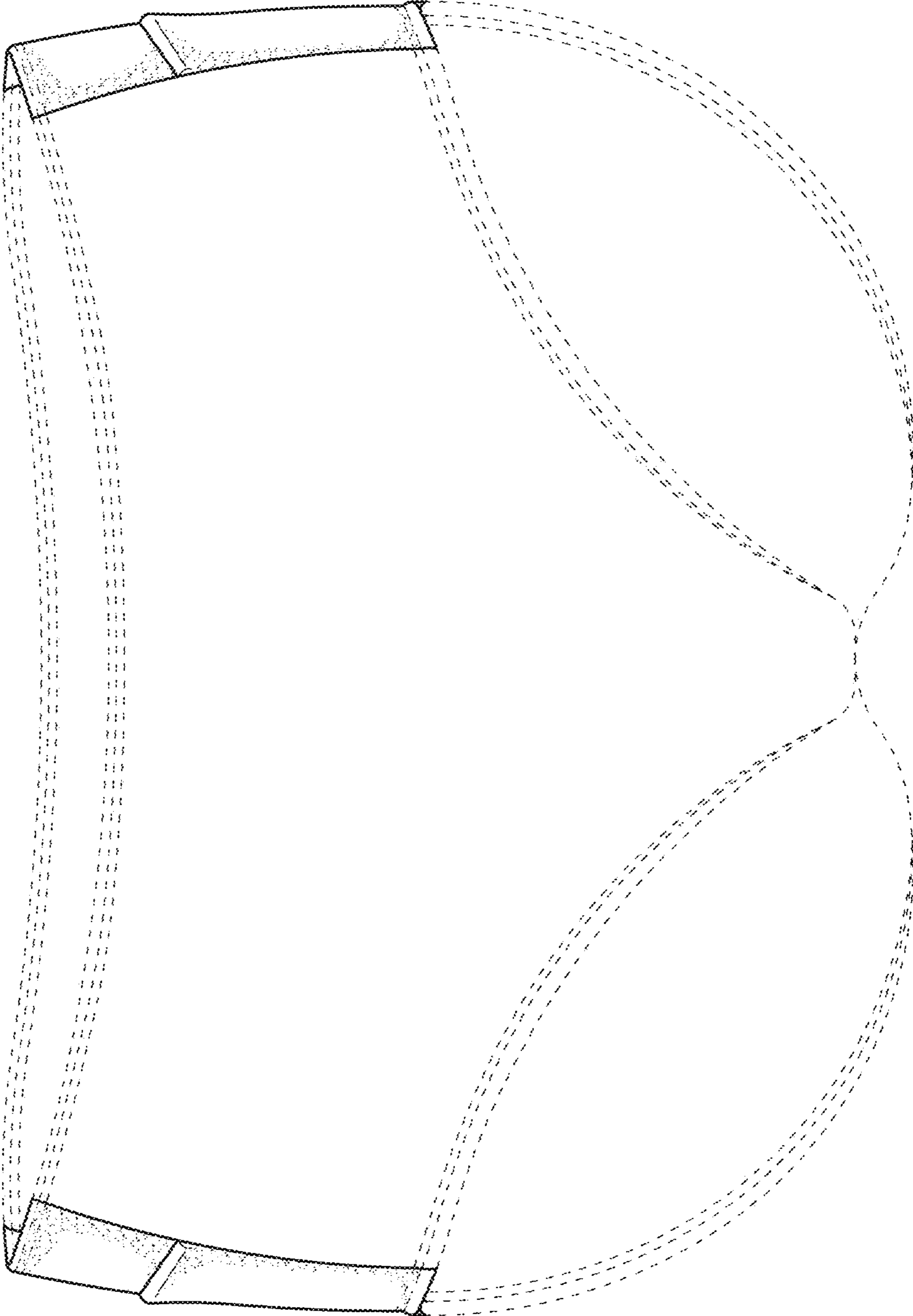


FIG. 2

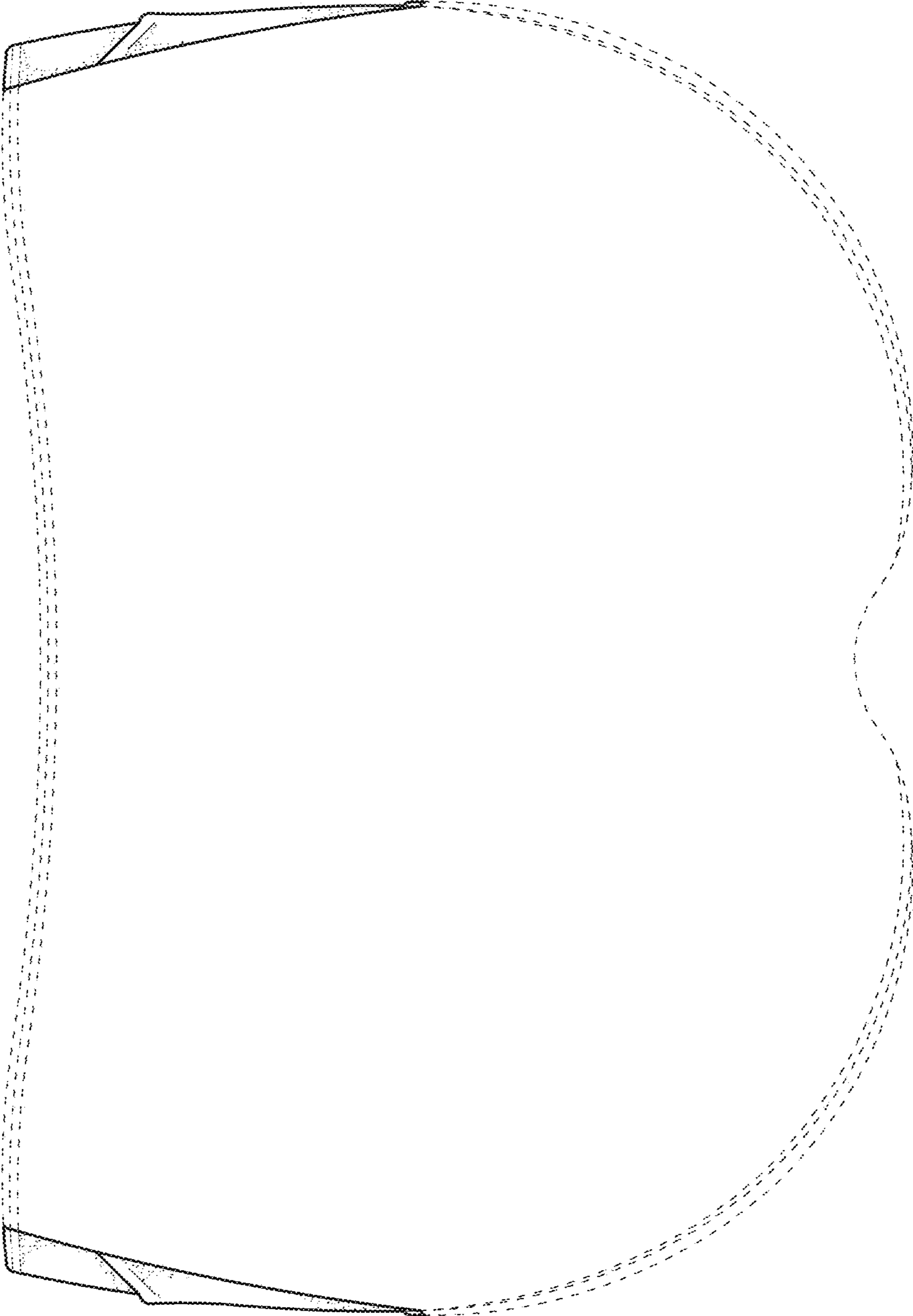


FIG. 3

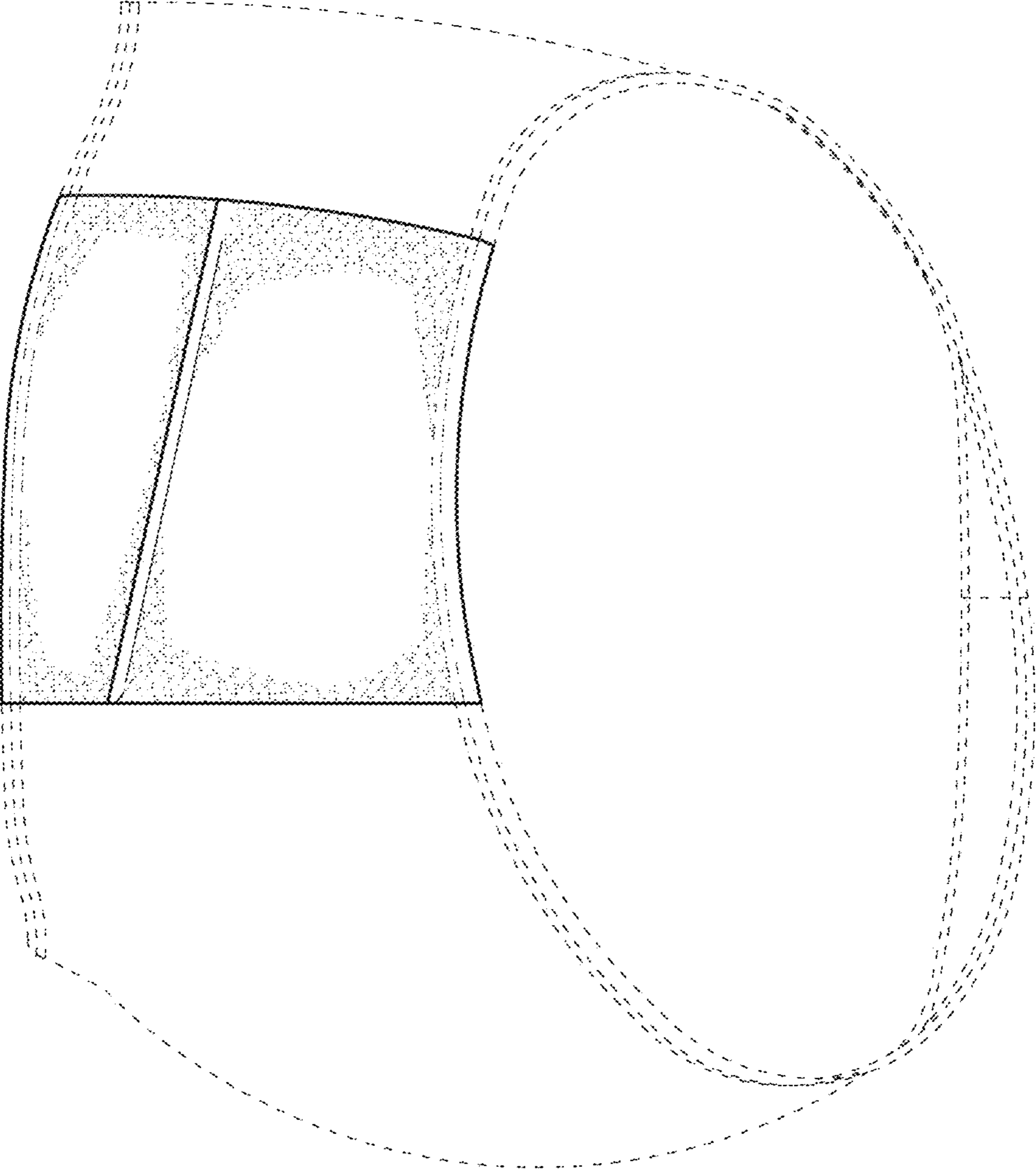


FIG. 4

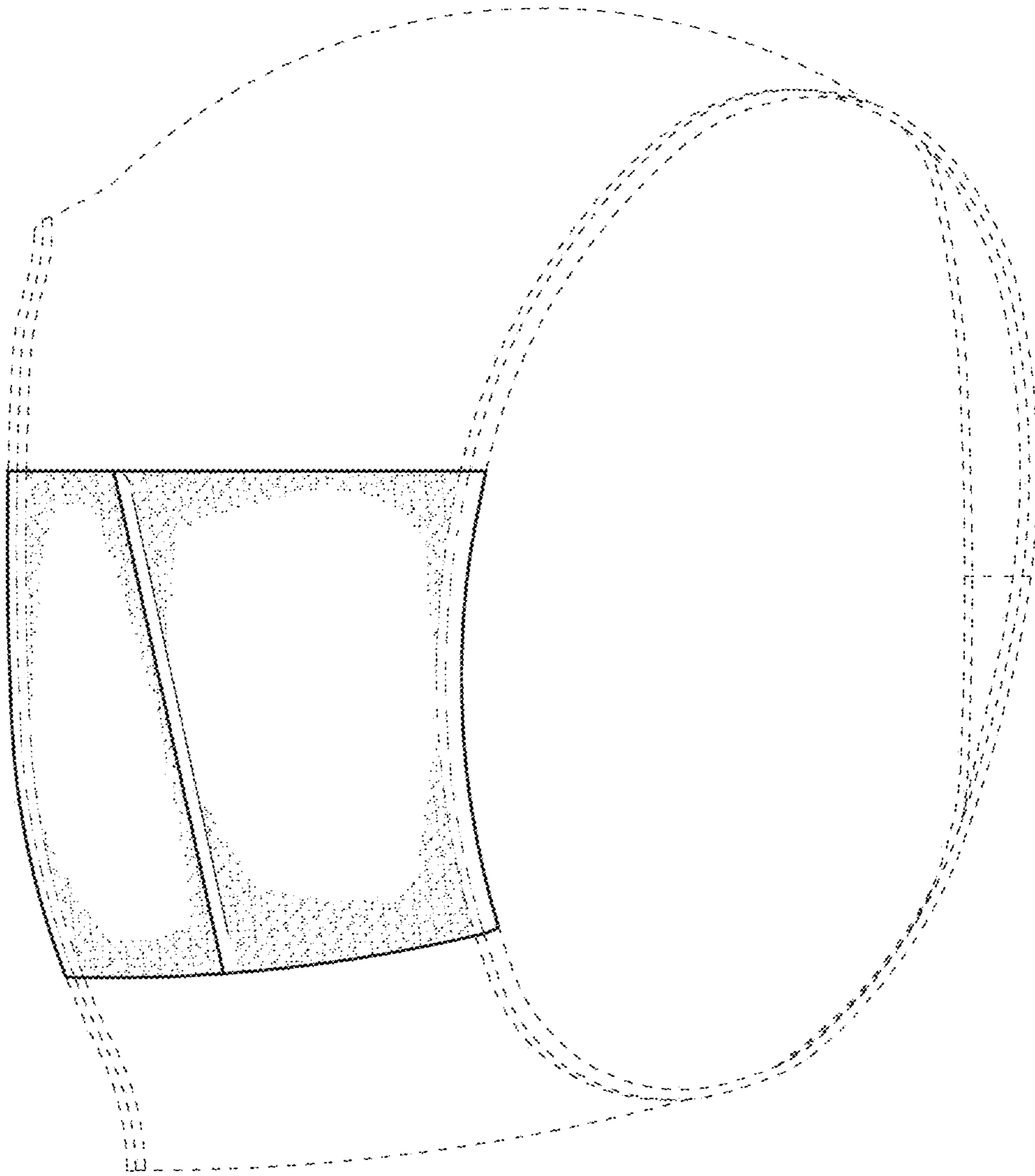


FIG. 5

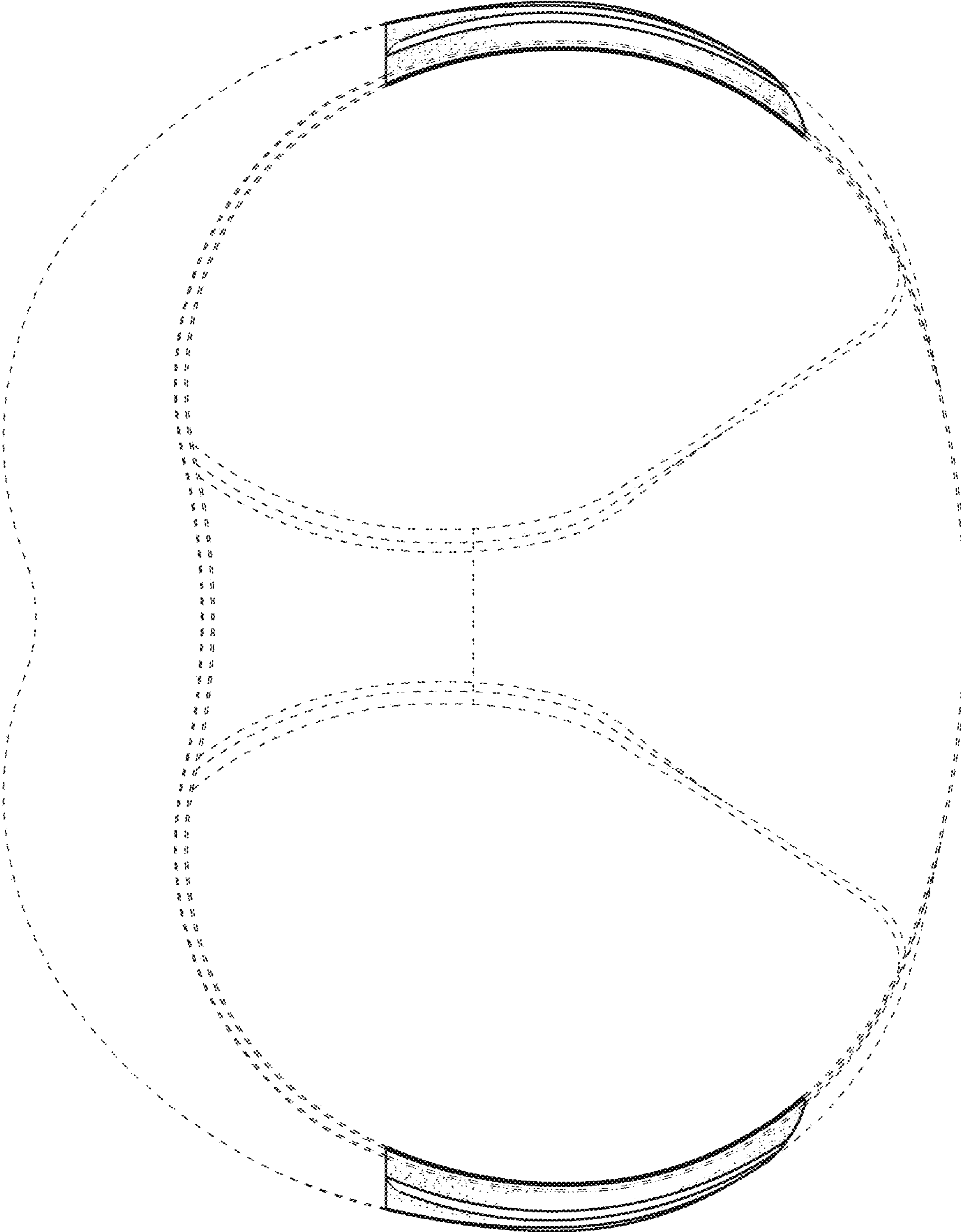


FIG. 6

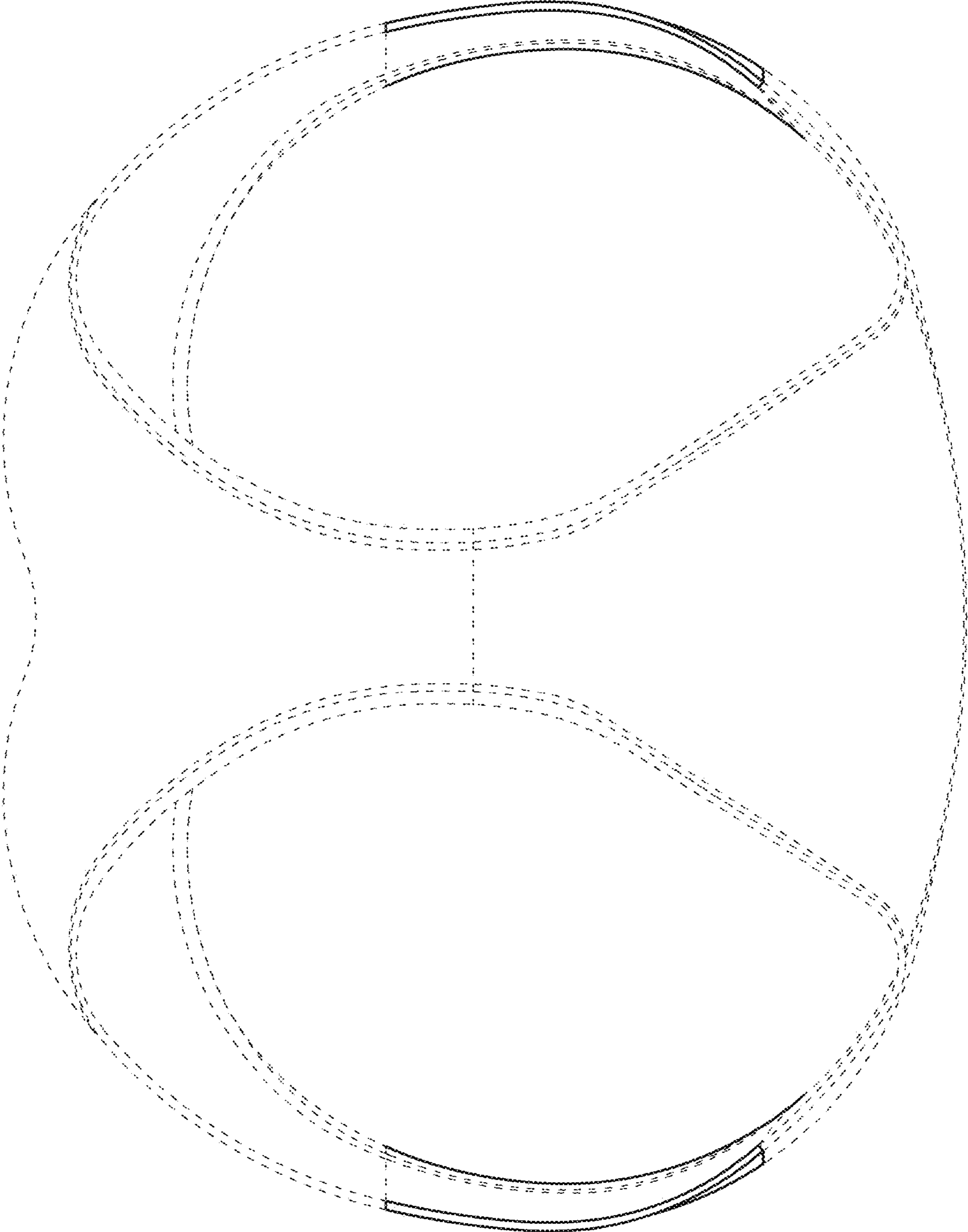


FIG. 7