



US00D935130S

(12) **United States Design Patent**
Davis et al.

(10) **Patent No.:** **US D935,130 S**

(45) **Date of Patent:** **** Nov. 2, 2021**

- (54) **FUNERARY VIEWING TRAY**
- (71) Applicant: **Vandor Corporation**, Richmond, IN (US)
- (72) Inventors: **Justin F. Davis**, Richmond, IN (US);
Gerald H. Davis, Fountain City, IN (US)
- (73) Assignee: **Vandor Group, Inc.**, Richmond, IN (US)
- (**) Term: **15 Years**
- (21) Appl. No.: **29/713,259**
- (22) Filed: **Nov. 14, 2019**
- (51) **LOC (13) Cl.** **99-00**
- (52) **U.S. Cl.**
USPC **D99/1; D99/8**
- (58) **Field of Classification Search**
USPC D99/1, 4, 7, 8, 12; 27/1, 2, 12, 35;
D6/393, 627, 403; D9/432, 433; 52/128,
52/133, 140, 141; 248/217.2; 206/527,
206/577; 229/149
CPC A61G 17/00; A61G 17/08
See application file for complete search history.

(56) **References Cited**

U.S. PATENT DOCUMENTS

- D112,000 S * 11/1938 Scholl D99/1
- 2,927,453 A * 3/1960 Patterson E04H 13/00
52/133
- 2,943,376 A * 7/1960 Bashuk A61G 17/042
27/1
- 3,050,817 A * 8/1962 Pare A61G 17/007
27/7
- 3,208,186 A * 9/1965 Fulton A61G 17/0136
52/140
- 3,335,433 A * 8/1967 Stopek A63H 3/52
5/105

- 3,488,818 A * 1/1970 Orr A61G 17/007
27/2
- 3,570,082 A * 3/1971 Gruber A61G 17/028
27/6
- D227,247 S * 6/1973 Dittbenner D99/12
- 3,781,948 A * 1/1974 Pitt A61G 17/034
27/17
- 3,782,619 A * 1/1974 Dittbenner B65D 5/321
206/527
- 3,879,818 A * 4/1975 Rowland A61G 17/0407
27/7
- 3,924,309 A * 12/1975 Andrus, Jr. A61G 17/028
27/2

(Continued)

Primary Examiner — Paula Allen Greene

(74) *Attorney, Agent, or Firm* — Maginot, Moore & Beck LLP

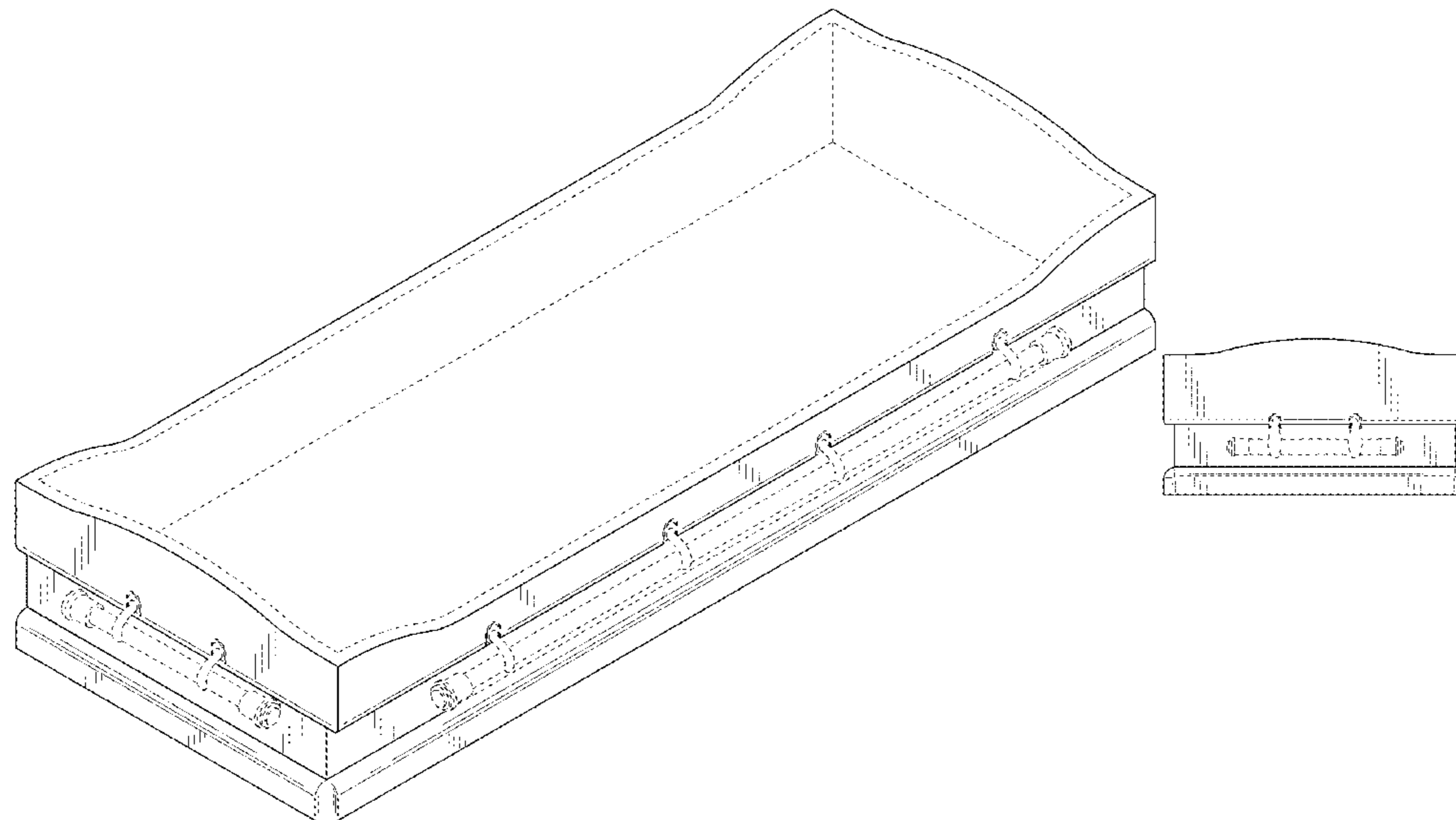
(57) **CLAIM**

The ornamental design for a funerary viewing tray, as shown and described.

DESCRIPTION

FIG. 1 is a perspective view of a funerary viewing tray showing our new design;
 FIG. 2 is a front side elevational view of the funerary viewing tray of FIG. 1;
 FIG. 3 is a rear side elevational view of the funerary viewing tray of FIG. 1;
 FIG. 4 is a left side elevational view of the funerary viewing tray of FIG. 1;
 FIG. 5 is a right side elevational view of the funerary viewing tray of FIG. 1;
 FIG. 6 is a top plan view of the funerary viewing tray of FIG. 1; and,
 FIG. 7 is a bottom plan view of the funerary viewing tray of FIG. 1.
 The broken lines shown in the drawings illustrate portions of the funerary viewing tray that form no part of the claimed design.

1 Claim, 6 Drawing Sheets



(56)

References Cited

U.S. PATENT DOCUMENTS

3,944,267 A * 3/1976 Sundquist E05B 65/0057
292/158
4,063,337 A * 12/1977 Havey, III A61G 17/001
27/2
4,123,831 A * 11/1978 Covington A61G 17/044
27/2
4,788,757 A * 12/1988 Bethune A61G 17/0106
27/2
4,949,439 A * 8/1990 Semon A61G 17/047
27/19
4,951,367 A * 8/1990 Wolfe A61G 17/042
27/19
5,007,148 A * 4/1991 Bida G09F 7/16
27/1
5,301,398 A * 4/1994 Bursey, Jr. A61G 17/0136
27/7
5,611,124 A * 3/1997 Biondo A61G 17/04
27/2
5,727,291 A * 3/1998 Biondo A61G 17/04
27/2
D393,523 S * 4/1998 Tambussi D9/432

5,775,061 A * 7/1998 Enneking A61G 17/00
53/445
D400,683 S * 11/1998 Saaf D99/1
D408,114 S * 4/1999 Poitier D99/4
5,966,786 A * 10/1999 Bowling A61G 17/028
27/2
6,324,736 B1 * 12/2001 Atrio A61G 17/04
27/2
6,434,804 B1 * 8/2002 Cornet A61G 17/044
27/2
6,898,830 B1 * 5/2005 Acton A61G 17/04
27/2
7,908,720 B2 * 3/2011 Rojdev A61G 17/04
27/10
8,997,319 B2 * 4/2015 Jenson A61G 17/004
27/4
D756,062 S * 5/2016 Fernandez D99/4
D853,677 S * 7/2019 Kendall D99/1
D854,277 S * 7/2019 Kendall D99/1
10,500,117 B2 * 12/2019 Davis A61G 17/044
11,039,972 B2 * 6/2021 Davis A61G 17/0073
2007/0050959 A1 * 3/2007 Biterman A61G 17/042
27/28

* cited by examiner

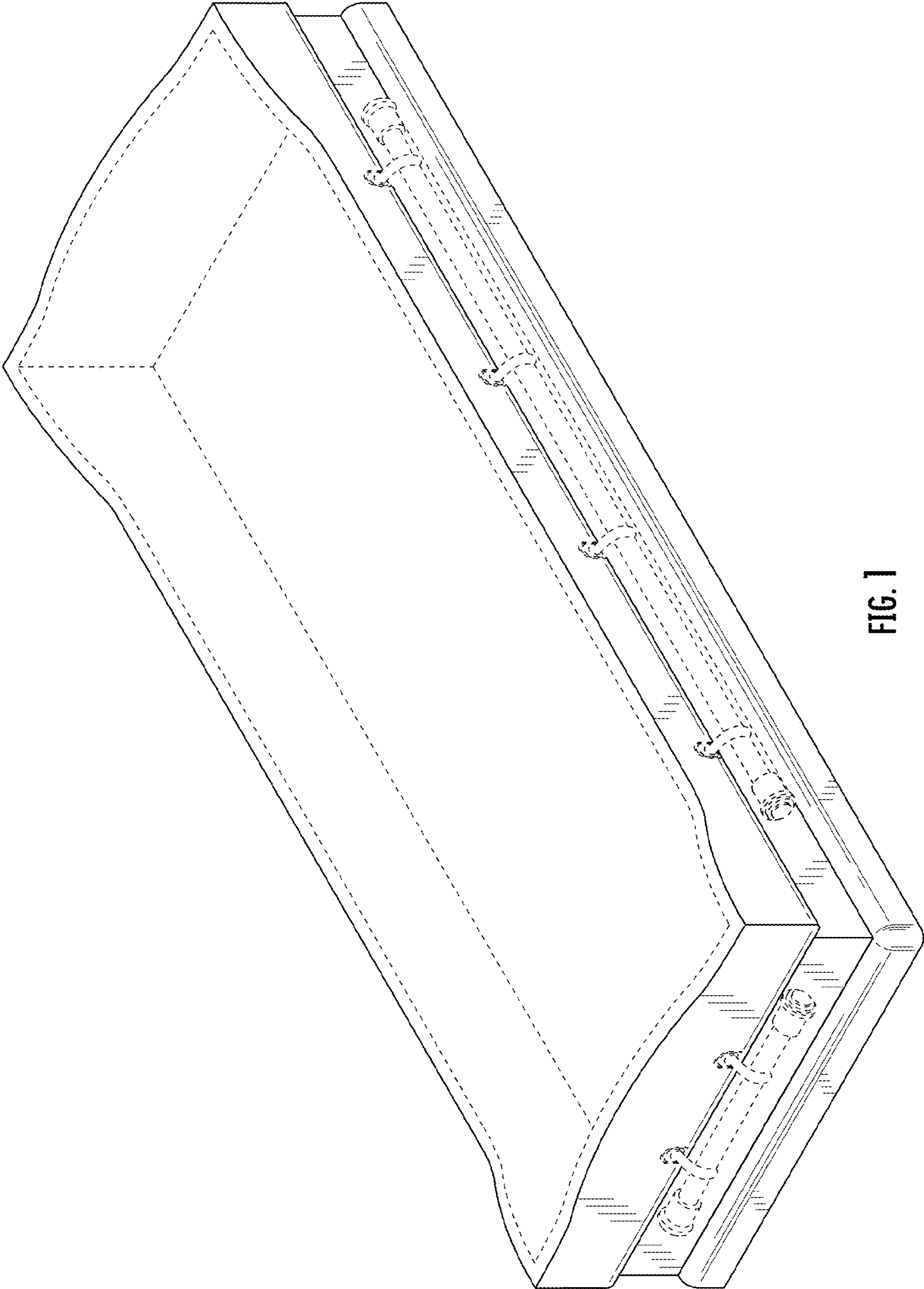


FIG. 1

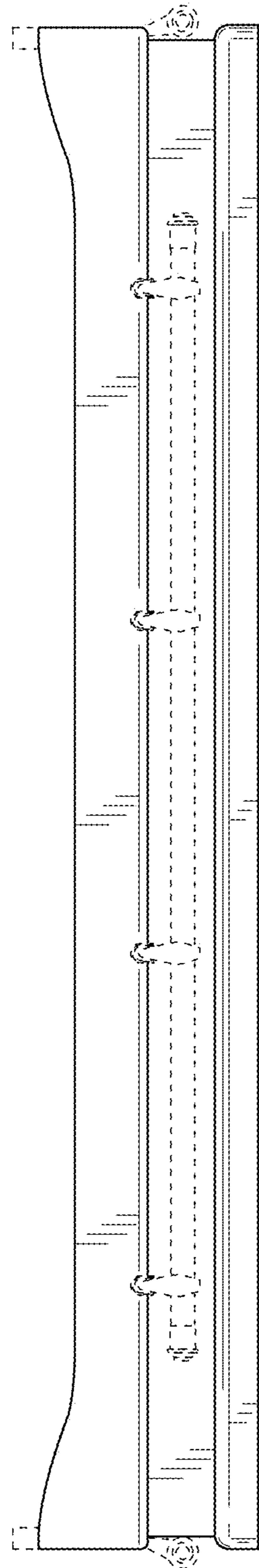


FIG. 2

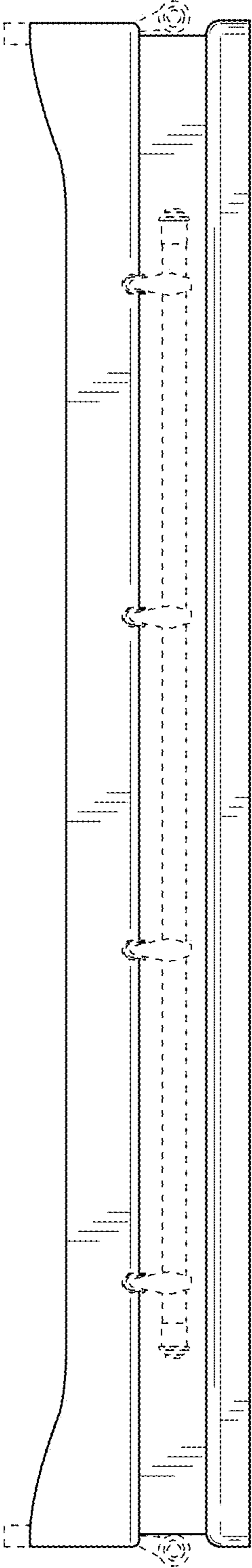


FIG. 3

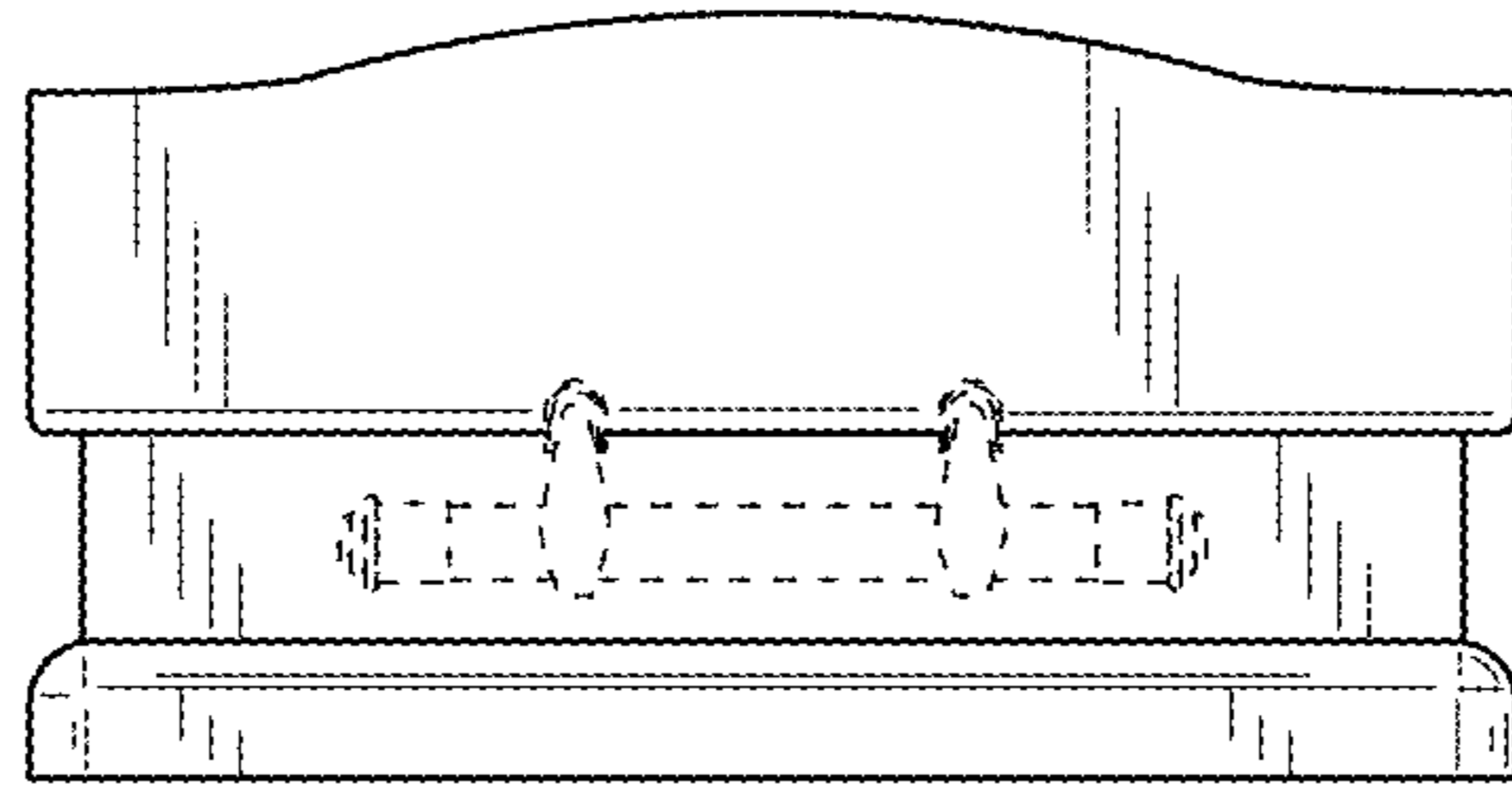


FIG. 4

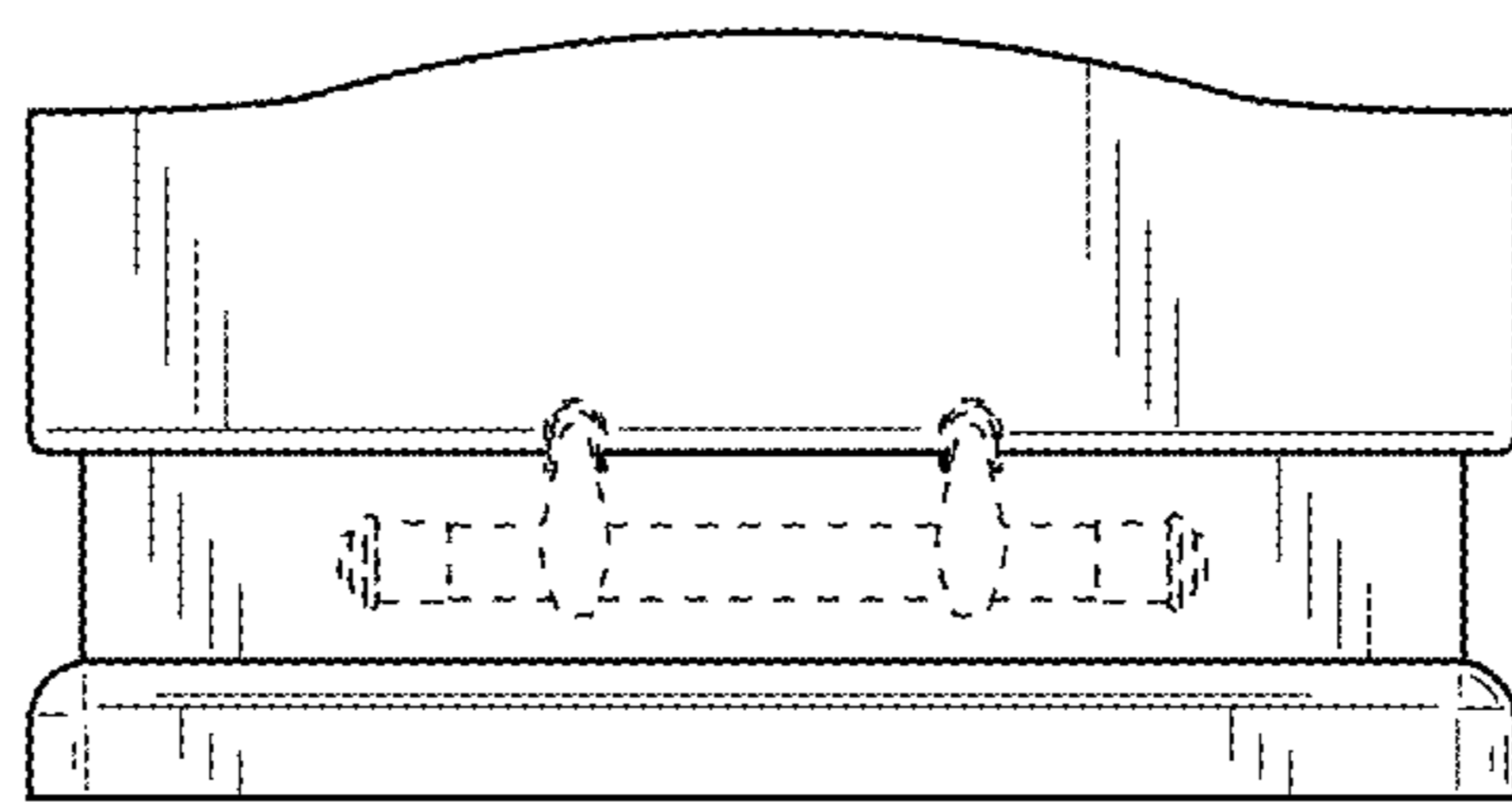


FIG. 5

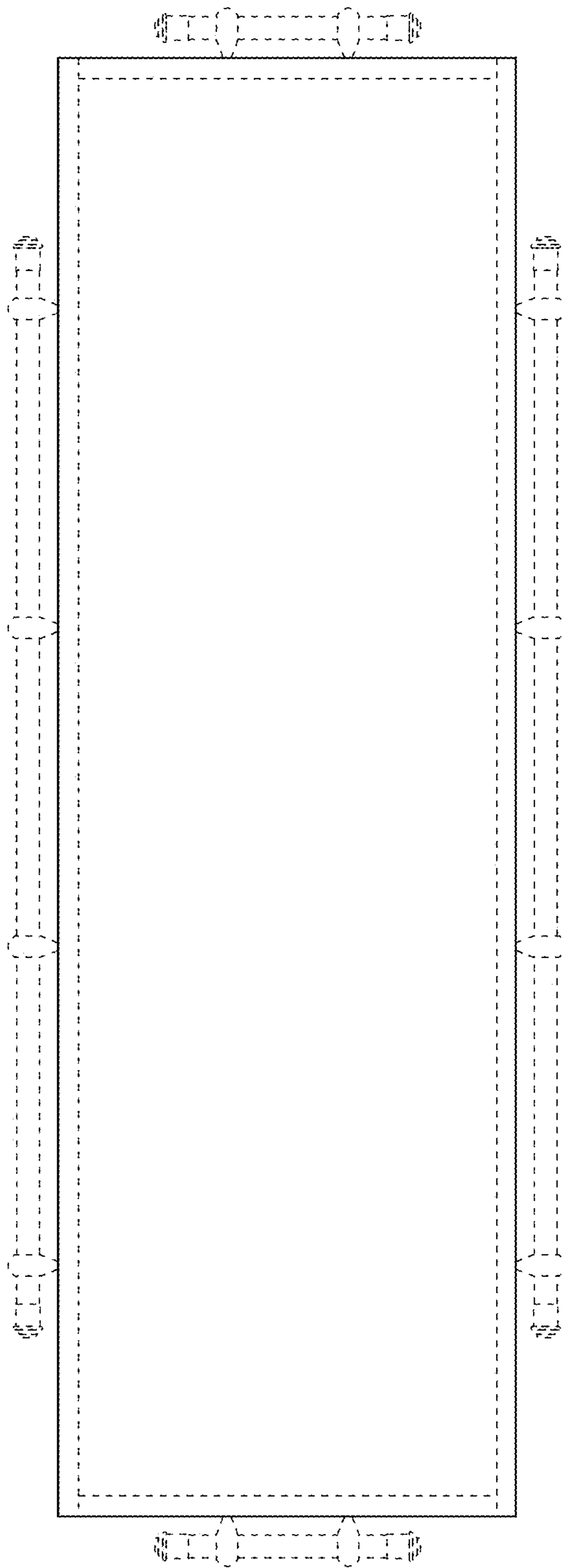


FIG. 6

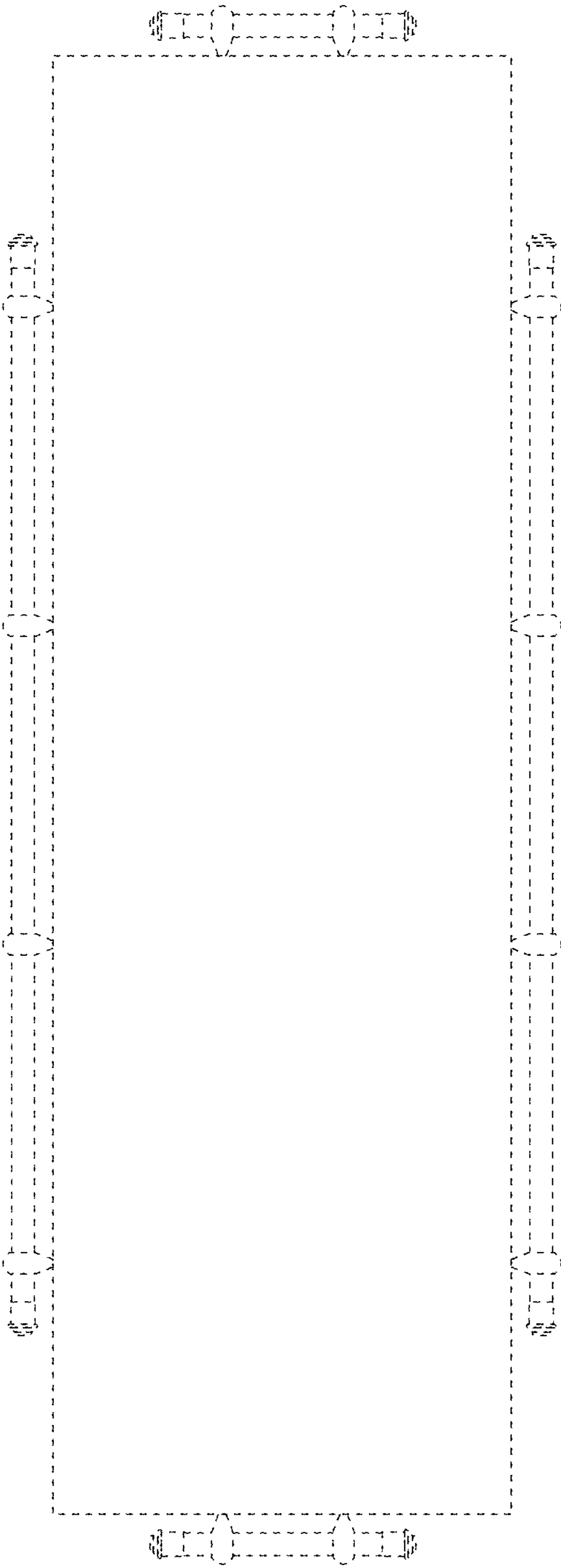


FIG. 7