



US00D935129S

(12) **United States Design Patent**
Davis et al.

(10) **Patent No.:** **US D935,129 S**
(45) **Date of Patent:** **** Nov. 2, 2021**

- (54) **FUNERARY VIEWING TRAY**
- (71) Applicant: **Vandor Corporation**, Richmond, IN (US)
- (72) Inventors: **Justin F. Davis**, Richmond, IN (US); **Gerald H. Davis**, Fountain City, IN (US)
- (73) Assignee: **Vandor Group, Inc.**, Richmond, IN (US)
- (**) Term: **15 Years**
- (21) Appl. No.: **29/713,256**
- (22) Filed: **Nov. 14, 2019**
- (51) **LOC (13) Cl.** **99-00**
- (52) **U.S. Cl.**
USPC **D99/1; D99/8**
- (58) **Field of Classification Search**
USPC D99/1, 4, 7, 8, 12; 27/1, 2, 12, 35, 6, 17, 27/DIG. 1; D6/393, 627, 403; D9/432, D9/433; 52/128, 133, 140, 141; 248/217.2; 206/527, 577; 229/149; 312/108, 126, 257.1
CPC A61G 17/00; A61G 17/08
See application file for complete search history.

- 2,927,453 A * 3/1960 Patterson E04H 13/00 52/133
- 2,943,376 A * 7/1960 Bashuk A61G 17/042 27/1
- 3,050,817 A * 8/1962 Pare A61G 17/007 27/7
- 3,208,186 A * 9/1965 Fulton A61G 17/0136 52/140
- 3,335,433 A * 8/1967 Stopek A63H 3/52 5/105

(Continued)

Primary Examiner — Paula Allen Greene
(74) *Attorney, Agent, or Firm* — Maginot, Moore & Beck LLP

(57) **CLAIM**

The ornamental design for a funerary viewing tray, as shown and described.

DESCRIPTION

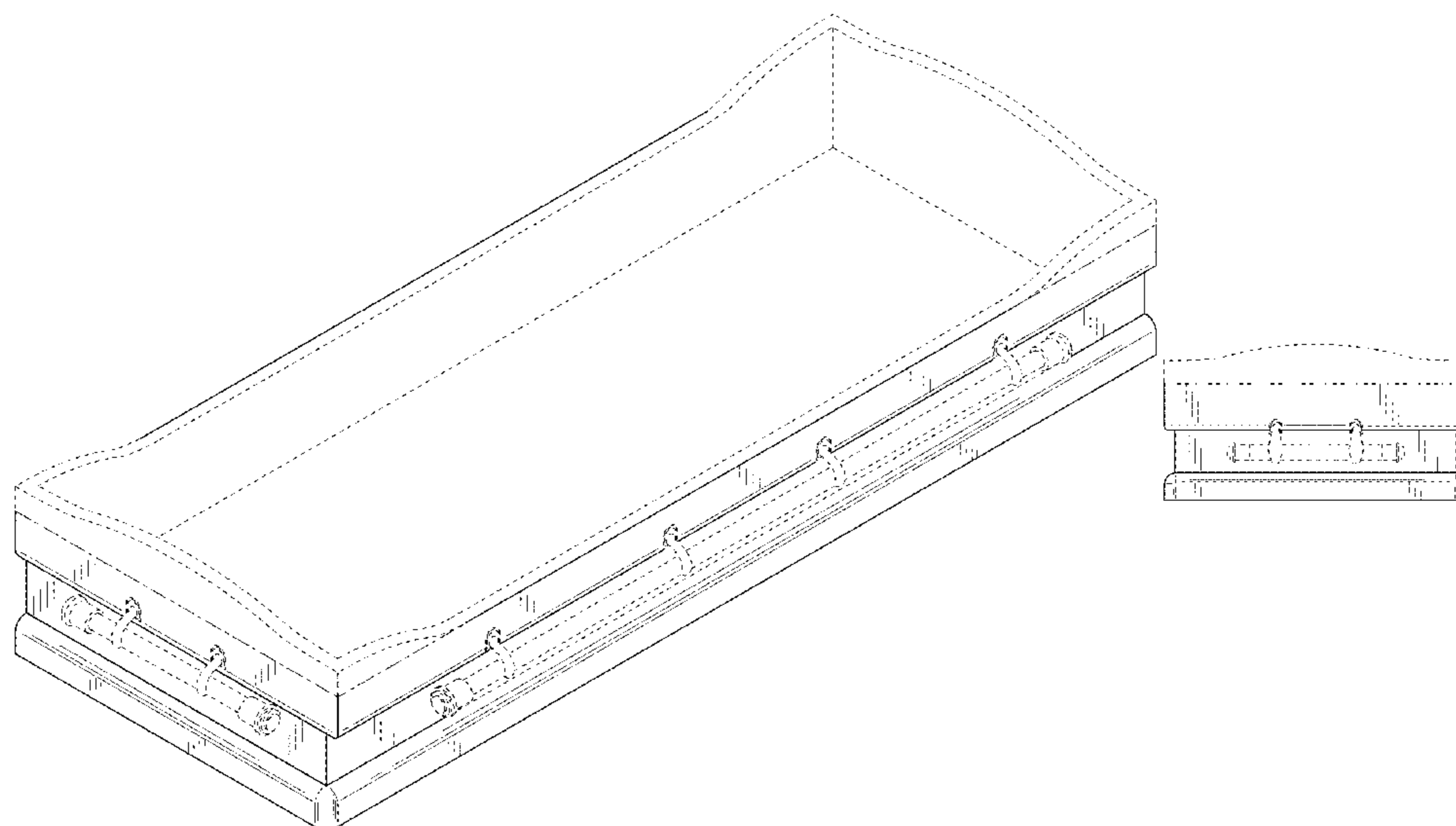
FIG. 1 is a perspective view of a funerary viewing tray showing our new design;
 FIG. 2 is a front side elevational view of the funerary viewing tray of FIG. 1;
 FIG. 3 is a rear side elevational view of the funerary viewing tray of FIG. 1;
 FIG. 4 is a left side elevational view of the funerary viewing tray of FIG. 1;
 FIG. 5 is a right side elevational view of the funerary viewing tray of FIG. 1;
 FIG. 6 is a top plan view of the funerary viewing tray of FIG. 1; and,
 FIG. 7 is a bottom plan view of the funerary viewing tray of FIG. 1.
 The broken lines shown in the drawings illustrate portions of the funerary viewing tray that form no part of the claimed design. The dash-dot lines depict the boundaries of the claimed design and form no part of the claimed design.

1 Claim, 6 Drawing Sheets

(56) **References Cited**

U.S. PATENT DOCUMENTS

- 2,026,716 A * 1/1936 Wallace A61G 17/0076 27/6
- D112,000 S * 11/1938 Scholl D99/1
- 2,372,412 A * 3/1945 Wallace A61G 17/0076 27/6
- 2,437,141 A * 3/1948 Wallace A61G 17/00 27/6
- 2,582,841 A * 1/1952 McEwan A61G 17/028 27/17
- 2,587,355 A * 2/1952 McEwan E05B 65/0057 27/18



(56)

References Cited

U.S. PATENT DOCUMENTS

3,488,818 A *	1/1970	Orr	A61G 17/007	27/2
3,570,082 A *	3/1971	Gruber	A61G 17/028	27/6
D227,247 S *	6/1973	Dittbenner	D99/12	
3,781,948 A *	1/1974	Pitt	A61G 17/034	27/17
3,782,619 A *	1/1974	Dittbenner	B65D 5/321	206/527
3,879,818 A *	4/1975	Rowland	A61G 17/0407	27/7
3,924,309 A *	12/1975	Andrus, Jr.	A61G 17/028	27/2
3,944,267 A *	3/1976	Sundquist	E05B 65/0057	292/158
4,063,337 A *	12/1977	Havey, III	A61G 17/001	27/2
4,123,831 A *	11/1978	Covington	A61G 17/044	27/2
4,788,757 A *	12/1988	Bethune	A61G 17/0106	27/2
4,949,439 A *	8/1990	Semon	A61G 17/047	27/19
4,951,367 A *	8/1990	Wolfe	A61G 17/042	27/19
5,007,148 A *	4/1991	Bida	G09F 7/16	27/1
5,301,398 A *	4/1994	Burse, Jr.	A61G 17/0136	27/7
5,611,124 A *	3/1997	Biondo	A61G 17/04	27/2
5,727,291 A *	3/1998	Biondo	A61G 17/04	27/2
D393,523 S *	4/1998	Tambussi	D9/432	
5,775,061 A *	7/1998	Enneking	A61G 17/00	53/445
D400,683 S *	11/1998	Saaf	D99/1	
D408,114 S *	4/1999	Poitier	D99/4	
5,966,786 A *	10/1999	Bowling	A61G 17/028	27/2
6,324,736 B1 *	12/2001	Atrio	A61G 17/04	27/2
6,434,804 B1 *	8/2002	Cornet	A61G 17/044	27/2
6,898,830 B1 *	5/2005	Acton	A61G 17/04	27/2
7,908,720 B2 *	3/2011	Rojdev	A61G 17/04	27/10
8,689,411 B2 *	4/2014	Drew	A61G 17/0076	27/6
8,997,319 B2 *	4/2015	Jenson	A61G 17/004	27/4
D756,062 S *	5/2016	Fernandez	D99/4	
D853,677 S *	7/2019	Kendall	D99/1	
D854,277 S *	7/2019	Kendall	D99/1	
10,500,117 B2 *	12/2019	Davis	A61G 17/044	
11,039,972 B2 *	6/2021	Davis	A61G 17/0073	
2007/0050959 A1 *	3/2007	Biterman	A61G 17/042	27/28

* cited by examiner

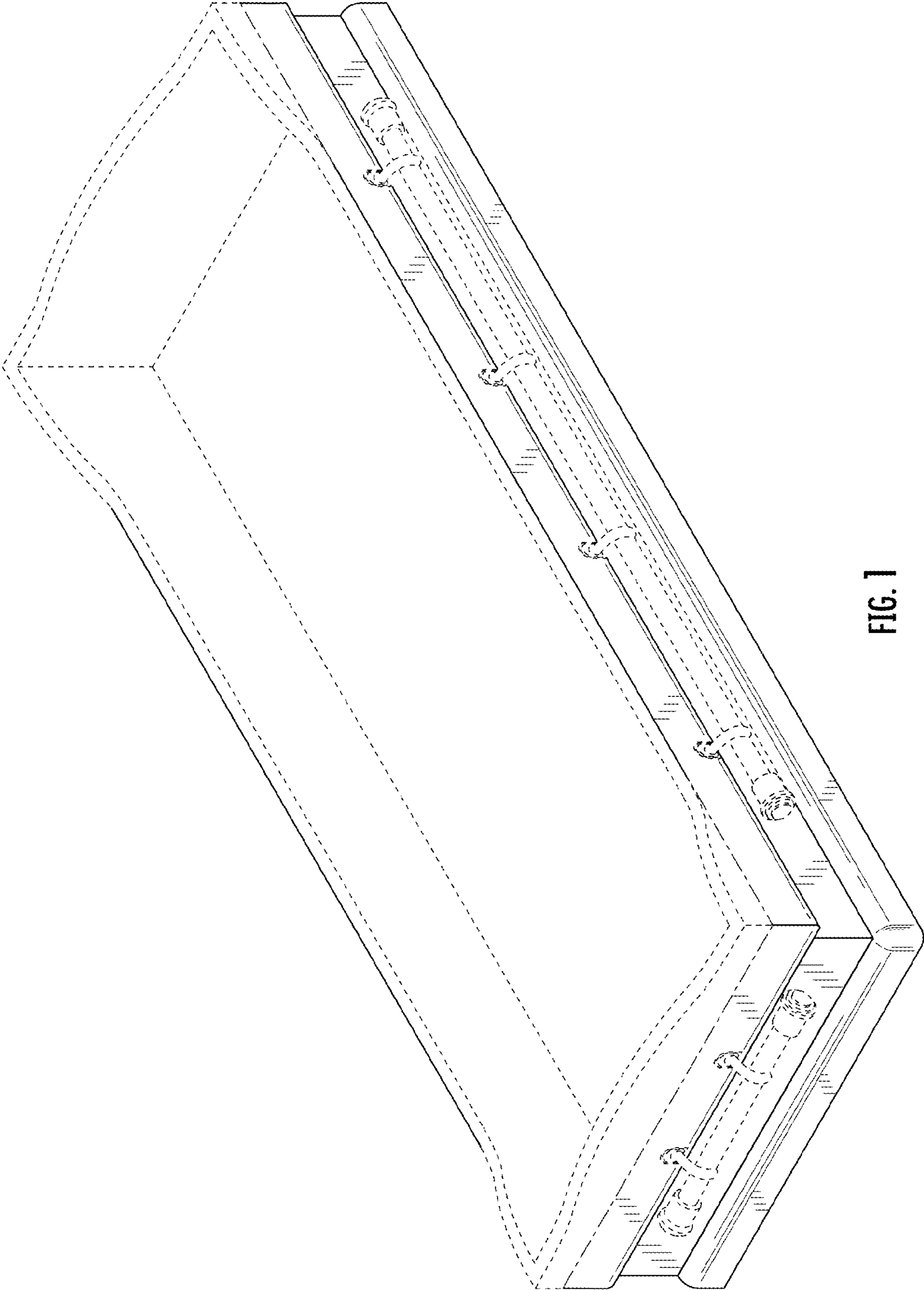


FIG. 1

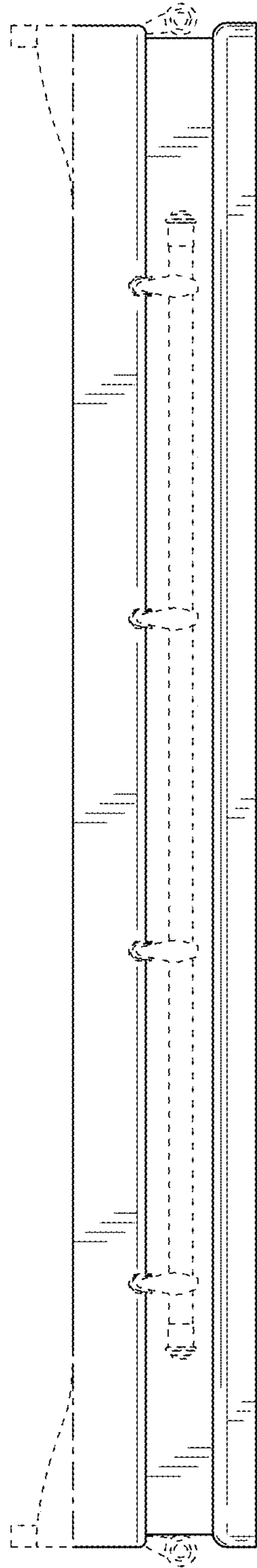


FIG. 2

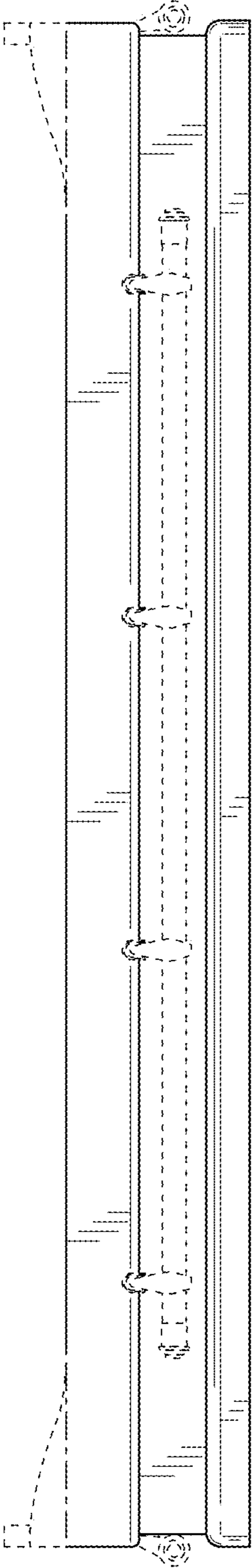


FIG. 3

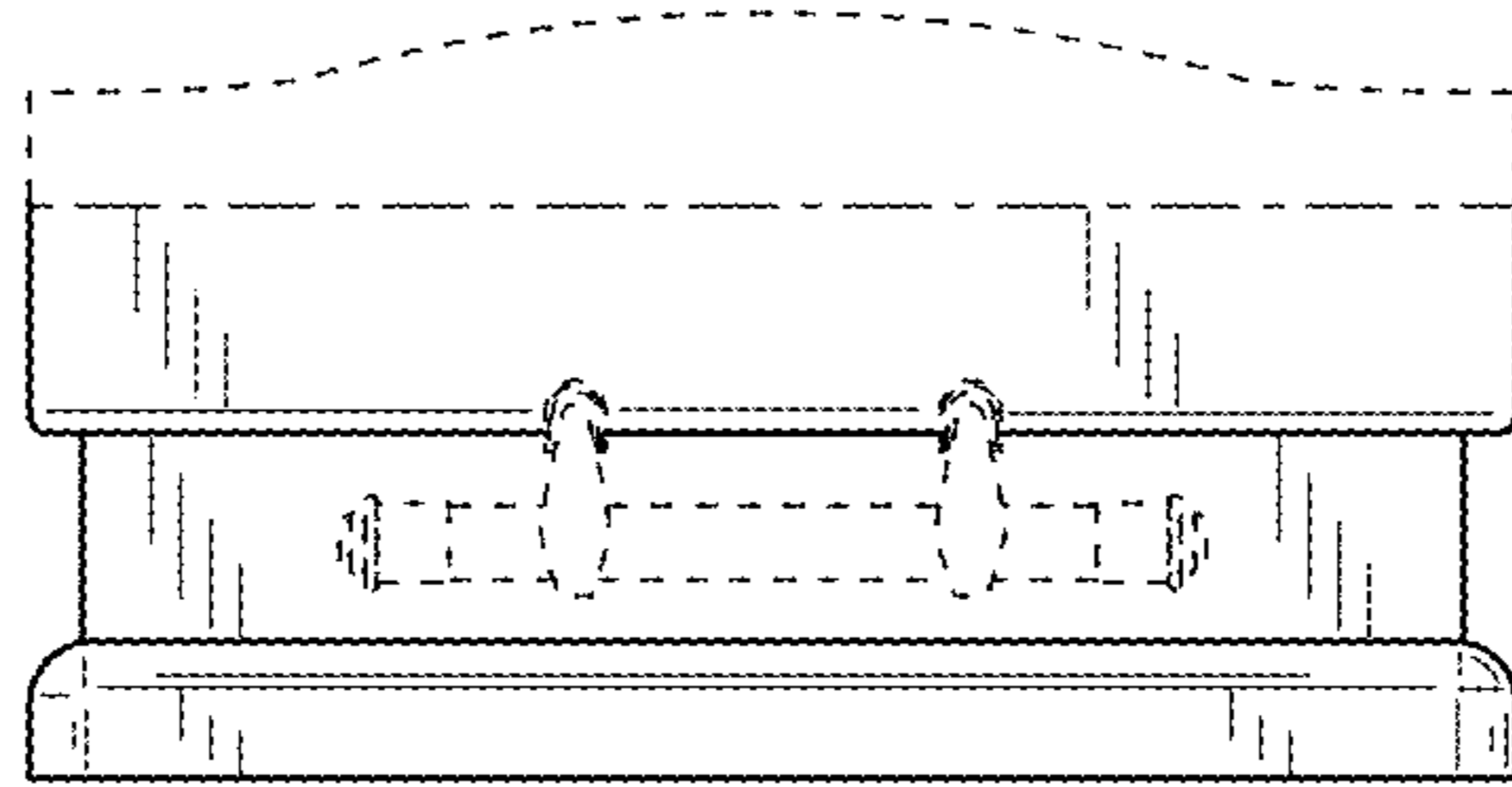


FIG. 4

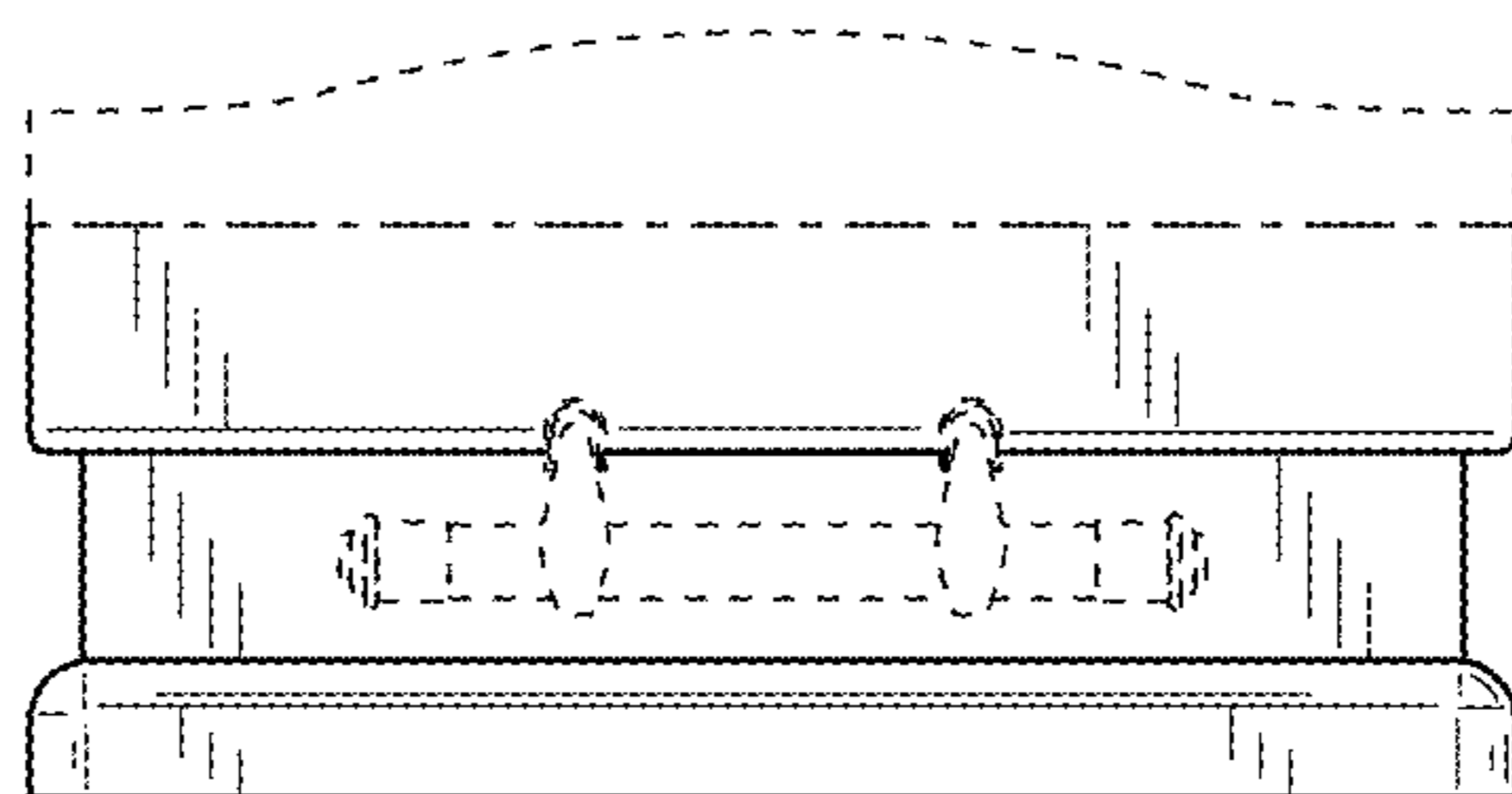


FIG. 5

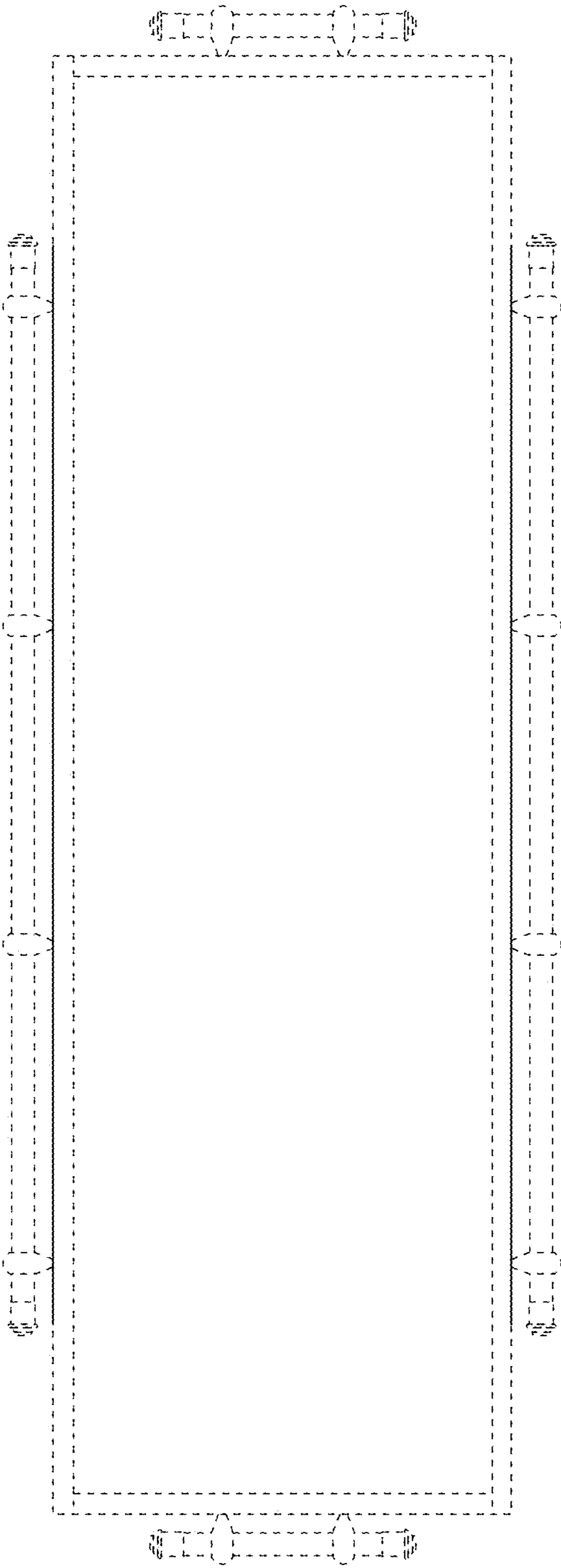


FIG. 6

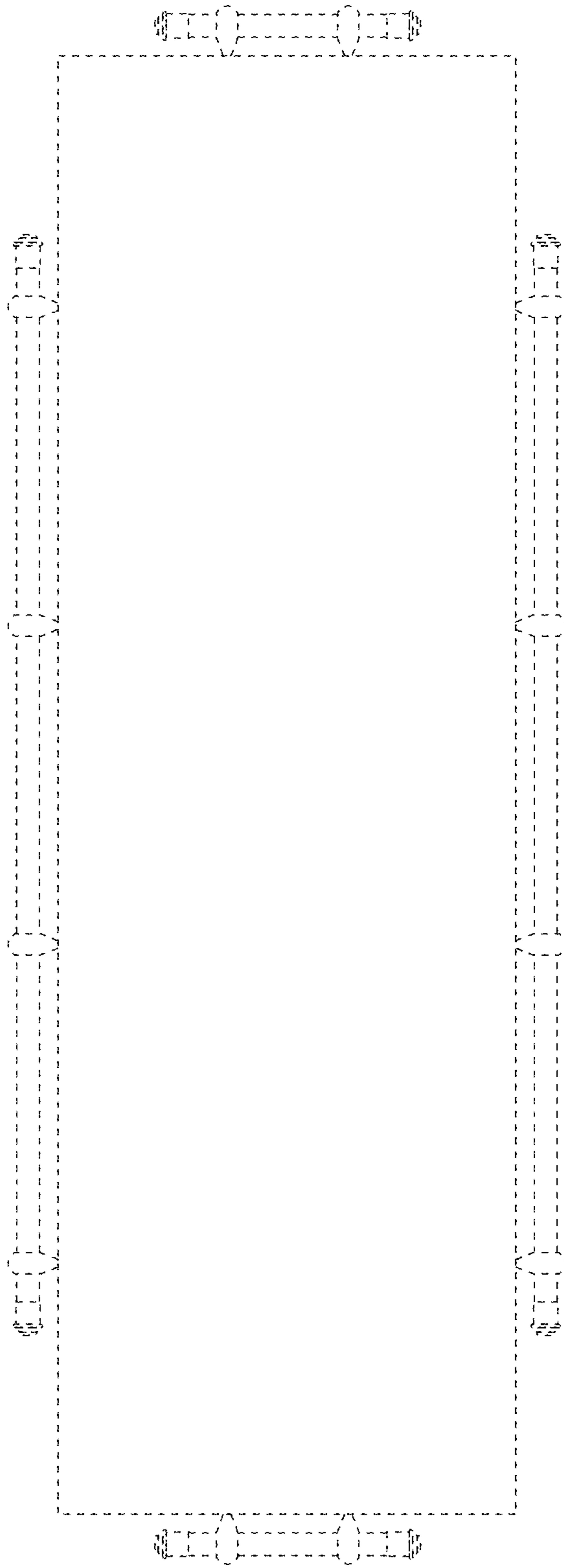


FIG. 7