



US00D935128S

(12) **United States Design Patent** (10) **Patent No.:** **US D935,128 S**  
**Giemza et al.** (45) **Date of Patent:** **\*\* Nov. 2, 2021**

(54) **PLATFORM ENCLOSURE**

(71) Applicant: **ROM Acquisition Corporation**,  
Belton, MO (US)

(72) Inventors: **Adam Giemza**, Carol Stream, IL (US);  
**Jason P. Newman**, Kearney, MO (US)

(73) Assignee: **ROM Acquisition Corporation**,  
Belton, MO (US)

(\*\*) Term: **15 Years**

(21) Appl. No.: **29/683,306**

(22) Filed: **Mar. 12, 2019**

(51) **LOC (13) Cl.** ..... **12-05**

(52) **U.S. Cl.**  
USPC ..... **D34/32**

(58) **Field of Classification Search**  
USPC ..... D6/515, 333, 383, 574, 656.15, 672.2,  
D6/672.5, 705.6, 705.7; D8/349;  
D12/203, 406, 408, 412, 414, 96, 400,  
D12/414.1, 196, 221; D14/447;  
D15/141, 199; D21/686, 792, 799.1, 811;  
D24/183, 227, 230; D25/61, 62, 65, 66,  
D25/68; D30/119, 160; D34/10, 27, 31,  
D34/32, 35, 38; 224/402-405, 521, 526,  
(Continued)

(56) **References Cited**

**U.S. PATENT DOCUMENTS**

D267,709 S \* 1/1983 Leaver ..... D12/96  
D267,739 S \* 1/1983 Hughes ..... D21/792  
D397,397 S \* 8/1998 Strawcutter ..... D21/811  
(Continued)

**OTHER PUBLICATIONS**

PEZ S001 Enclosure (2017).  
PEZ S210 Enclosure (2017).

*Primary Examiner* — Wan Laymon  
*Assistant Examiner* — Mark Booker

(74) *Attorney, Agent, or Firm* — Michael D. Lazzara;  
Leech Tishman Fuscaldo & Lampl

(57) **CLAIM**

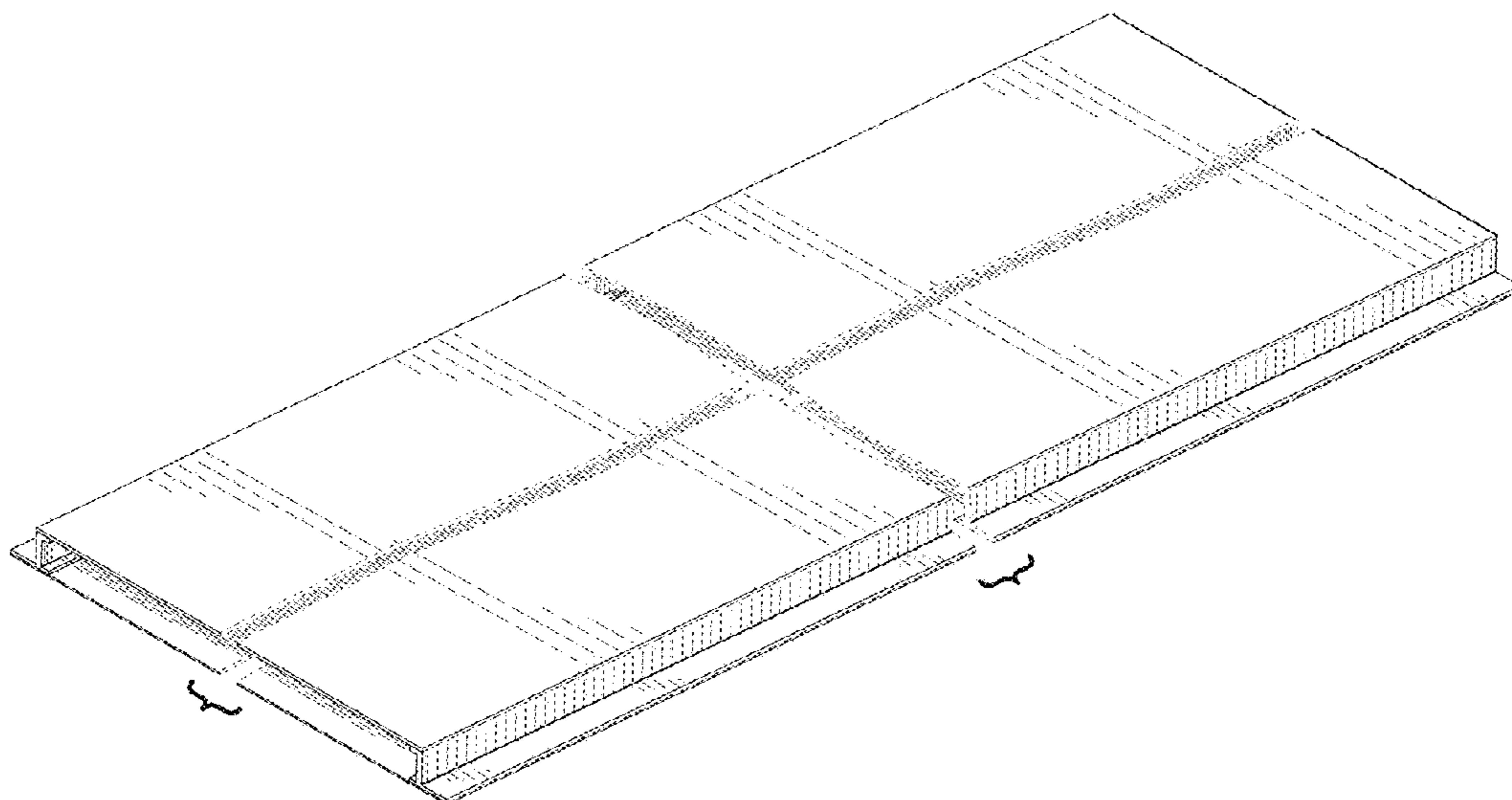
The ornamental design for a platform enclosure, as shown and described.

**DESCRIPTION**

FIG. 1 is a perspective view of the platform enclosure;  
FIG. 2 is a top view thereof;  
FIG. 3 is a bottom view thereof;  
FIG. 4 is a front view thereof;  
FIG. 5 is a rear view thereof;  
FIG. 6 is a right side view thereof, the left side view being a mirror image thereof;  
FIG. 7 is a perspective view of the platform enclosure in an exemplary environment;  
FIG. 8 is a perspective view of an alternative embodiment of the platform enclosure;  
FIG. 9 is a top view thereof;  
FIG. 10 is a bottom view thereof;  
FIG. 11 is a front view thereof;  
FIG. 12 is a rear view thereof;  
FIG. 13 is a right side view thereof, the left side view being a mirror image thereof; and,  
FIG. 14 is a perspective view of the platform enclosure in an exemplary environment.

FIGS. 1-14 show features in broken lines. These features do not form any part of the claimed design. Further, any broken lines immediately adjacent the solid-line portions of the design form the boundary of the design, with the broken lines forming no part of the claimed design. The additional broken lines shown in FIGS. 7 and 14 represents environment and forms no part of the claimed design. The use of separations and brackets indicates that no particular length or width of the platform enclosure is claimed.

**1 Claim, 10 Drawing Sheets**



(58) **Field of Classification Search**

USPC ..... 224/495–498, 502; 296/26, 26.08–26.11,  
 296/37.1, 37.6, 50–51, 57.1, 180.1  
 CPC .. B60P 3/40; B60P 3/122; B60P 1/003; B60P  
 1/43; B60P 7/08; B60P 1/433; B60P  
 1/435; B62D 33/0273; B62D 33/037;  
 B62D 33/03; B62D 33/023; B62D  
 33/0207; B62D 33/077; B62D 35/001;  
 B60D 1/52; B60D 1/485; B65G 69/30

See application file for complete search history.

(56) **References Cited**

U.S. PATENT DOCUMENTS

D428,157	S *	7/2000	Coassin	.....	D25/62
6,120,076	A *	9/2000	Adsit	.....	B60P 3/40 296/26.11
D454,202	S *	3/2002	Pham	.....	D24/216
D552,451	S *	10/2007	Yashar	.....	D8/349
D575,313	S *	8/2008	Hull	.....	D15/141
D602,603	S *	10/2009	Masser	.....	D25/156
8,061,754	B1 *	11/2011	Webb	.....	B60P 3/122 296/61
D700,977	S *	3/2014	Carruthers	.....	D25/65
D732,305	S *	6/2015	Cosentino	.....	D6/515
D836,878	S *	12/2018	Adriani	.....	D34/32
D862,104	S *	10/2019	Suzuki	.....	D6/383
D875,448	S *	2/2020	Reinhart	.....	D6/705.7
D905,482	S *	12/2020	Coretti, Jr.	.....	D6/675.2
2005/0161964	A1 *	7/2005	Adleman, Jr.	.....	B60P 3/40 296/26.09
2014/0261098	A1 *	9/2014	Giemza	.....	B65G 69/24 108/44
2020/0070898	A1 *	3/2020	Salvia, III	.....	B62D 33/08

\* cited by examiner

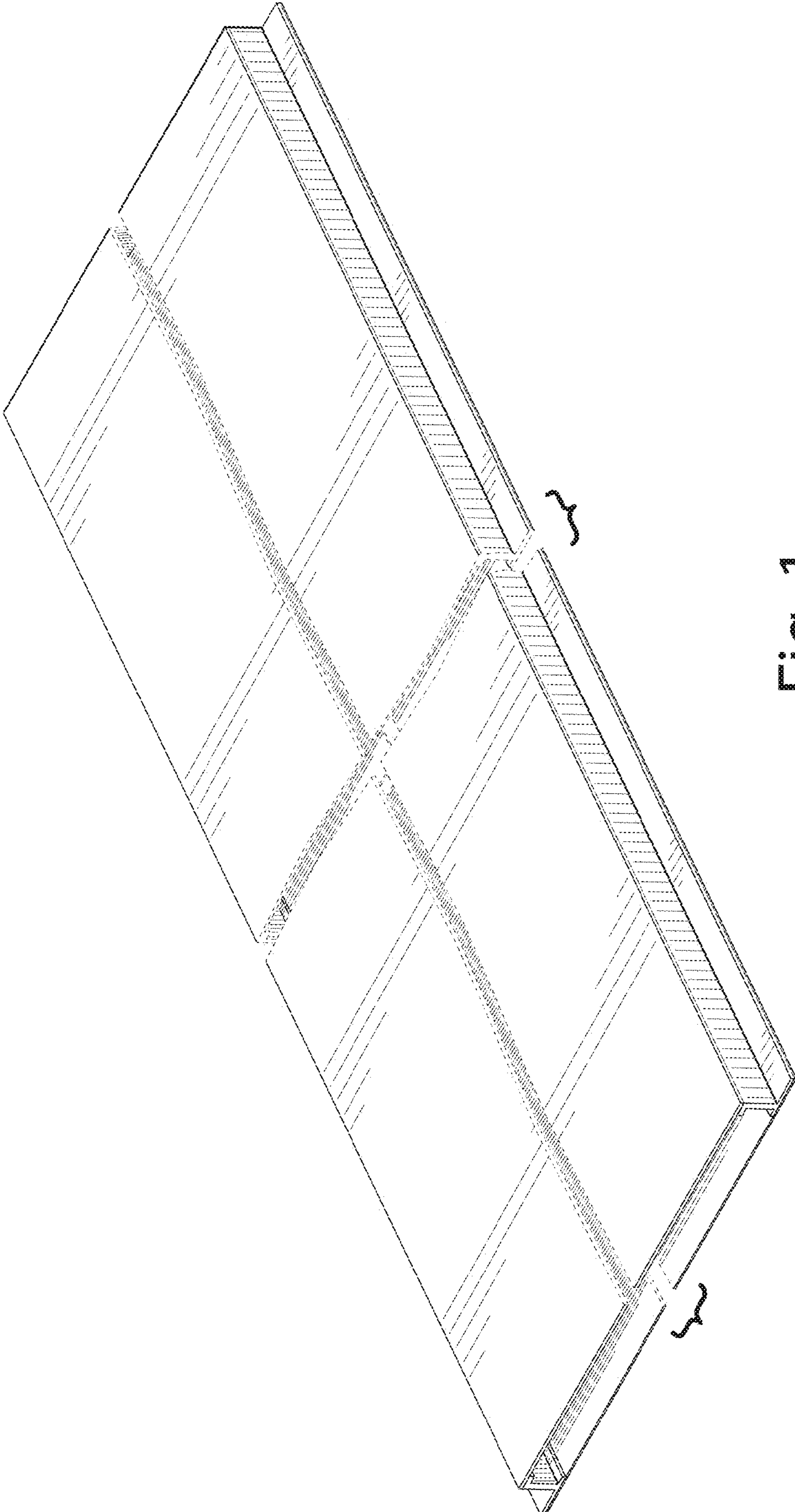


Fig. 1

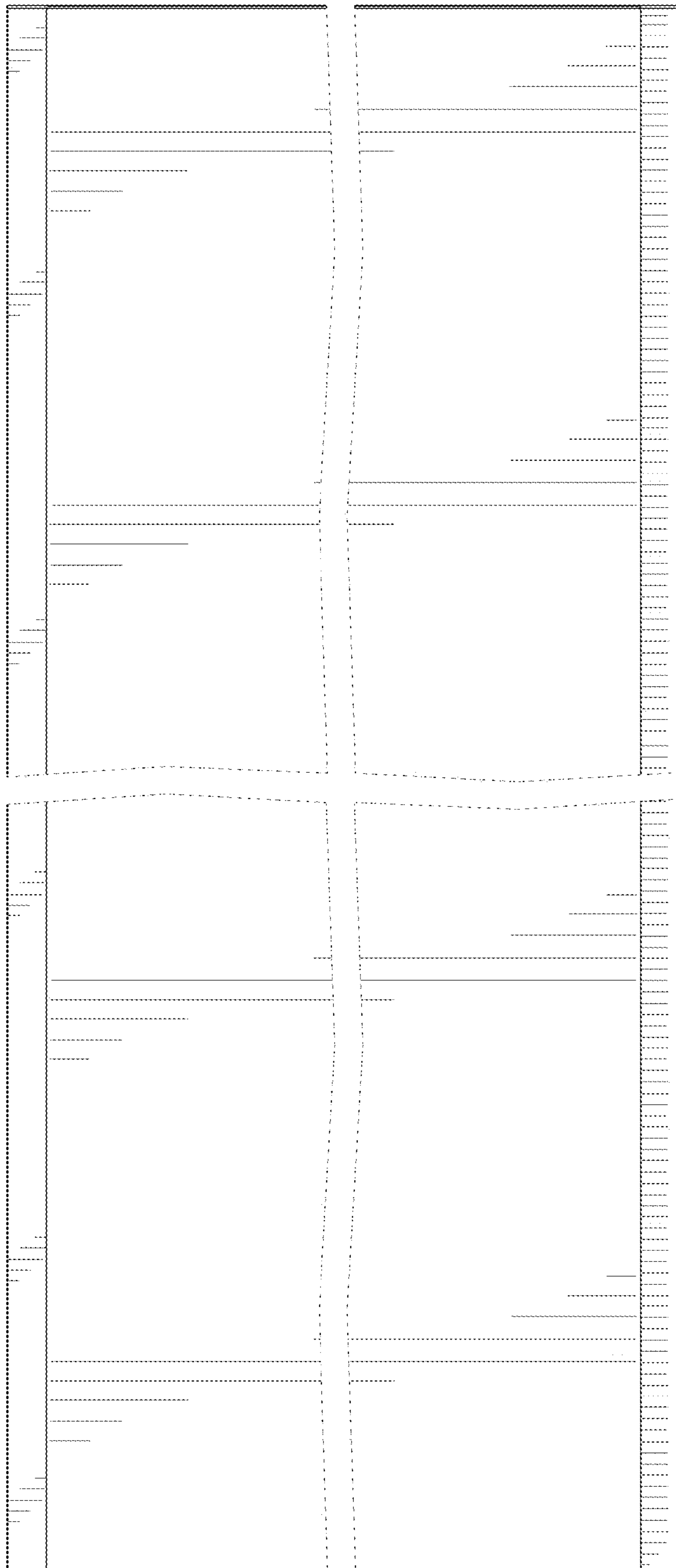


Fig. 2

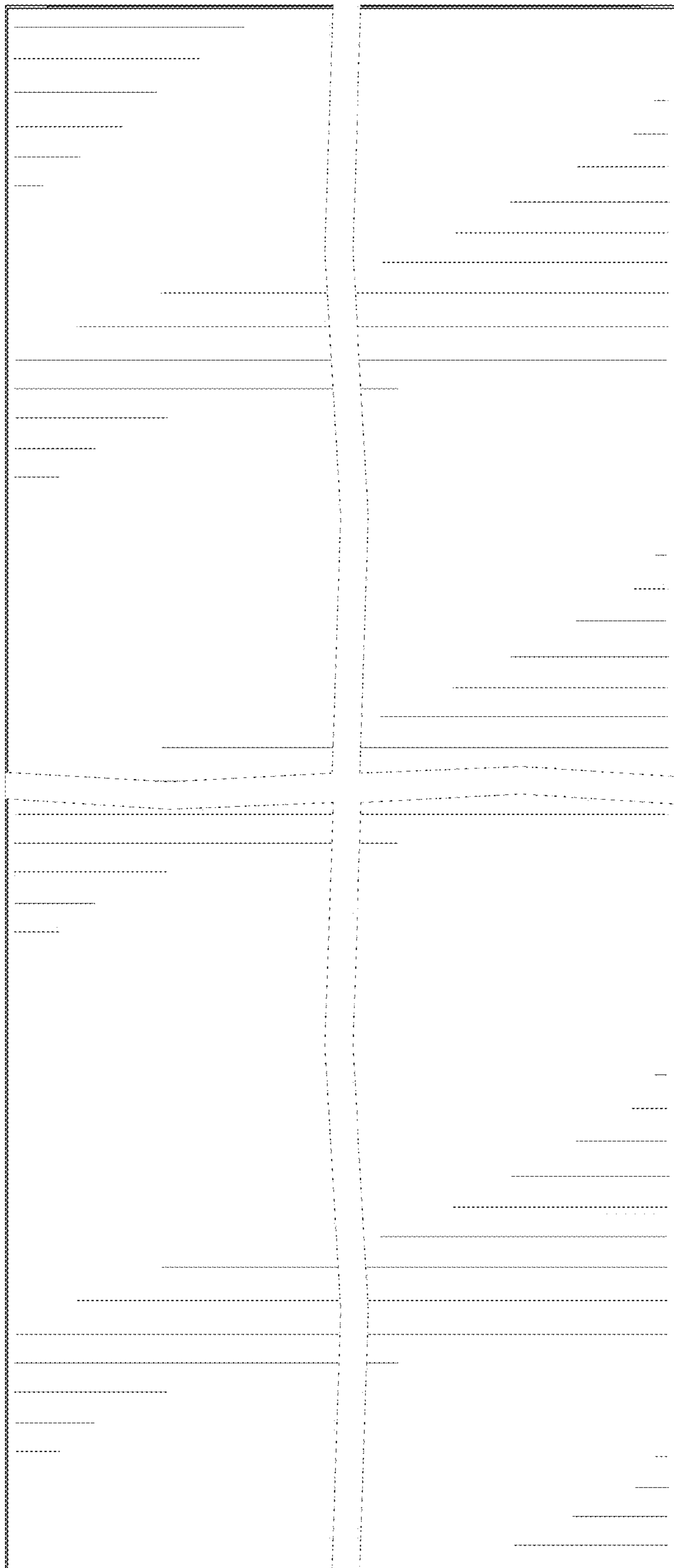


Fig. 3



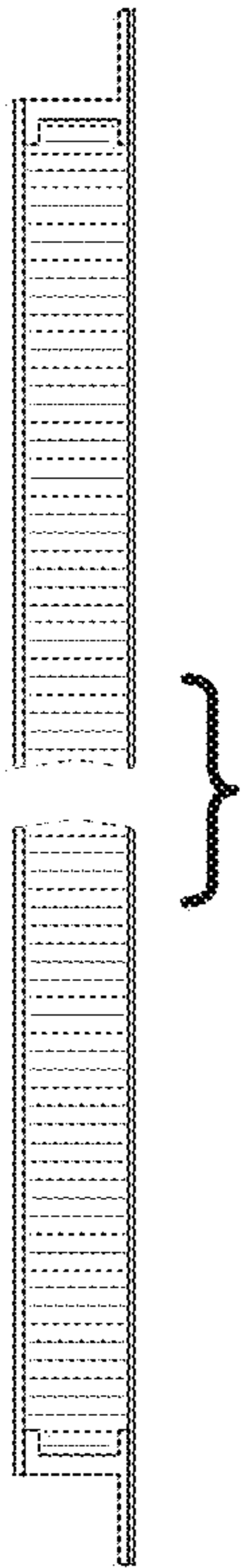


Fig. 4

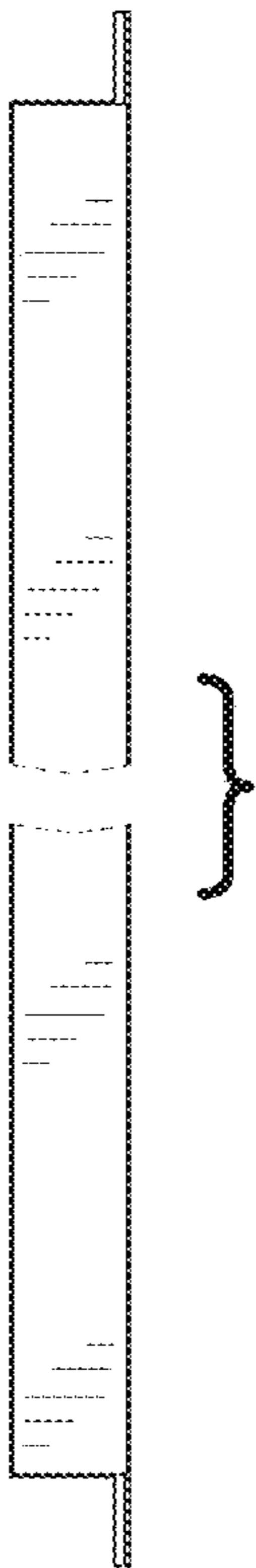


Fig. 5

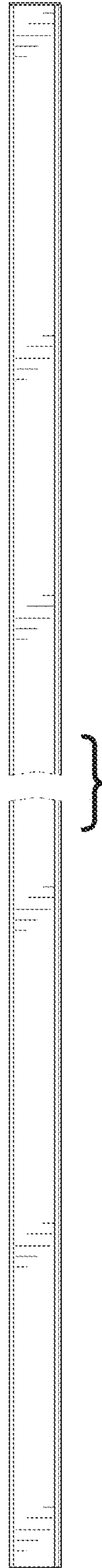


Fig. 6

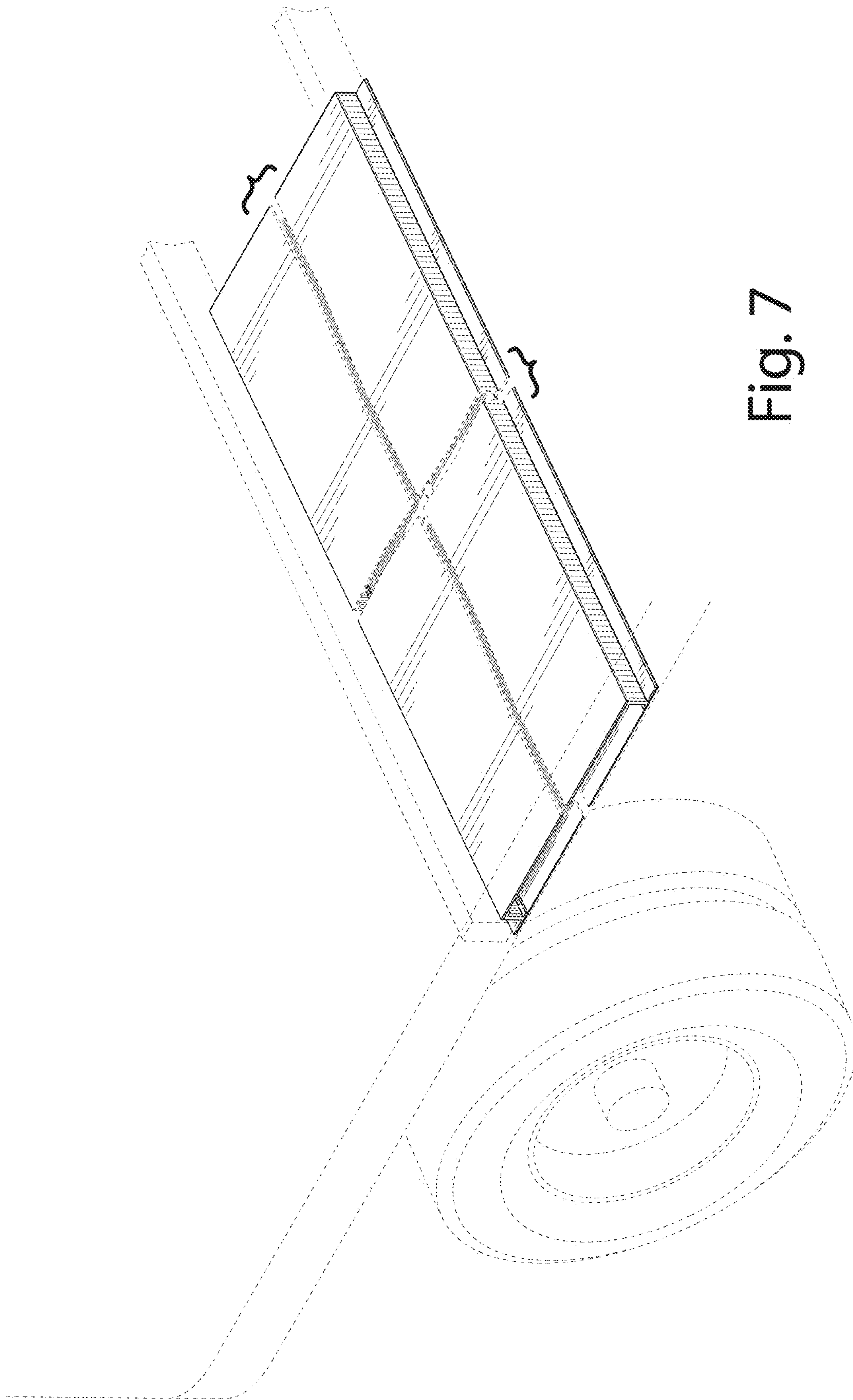


Fig. 7

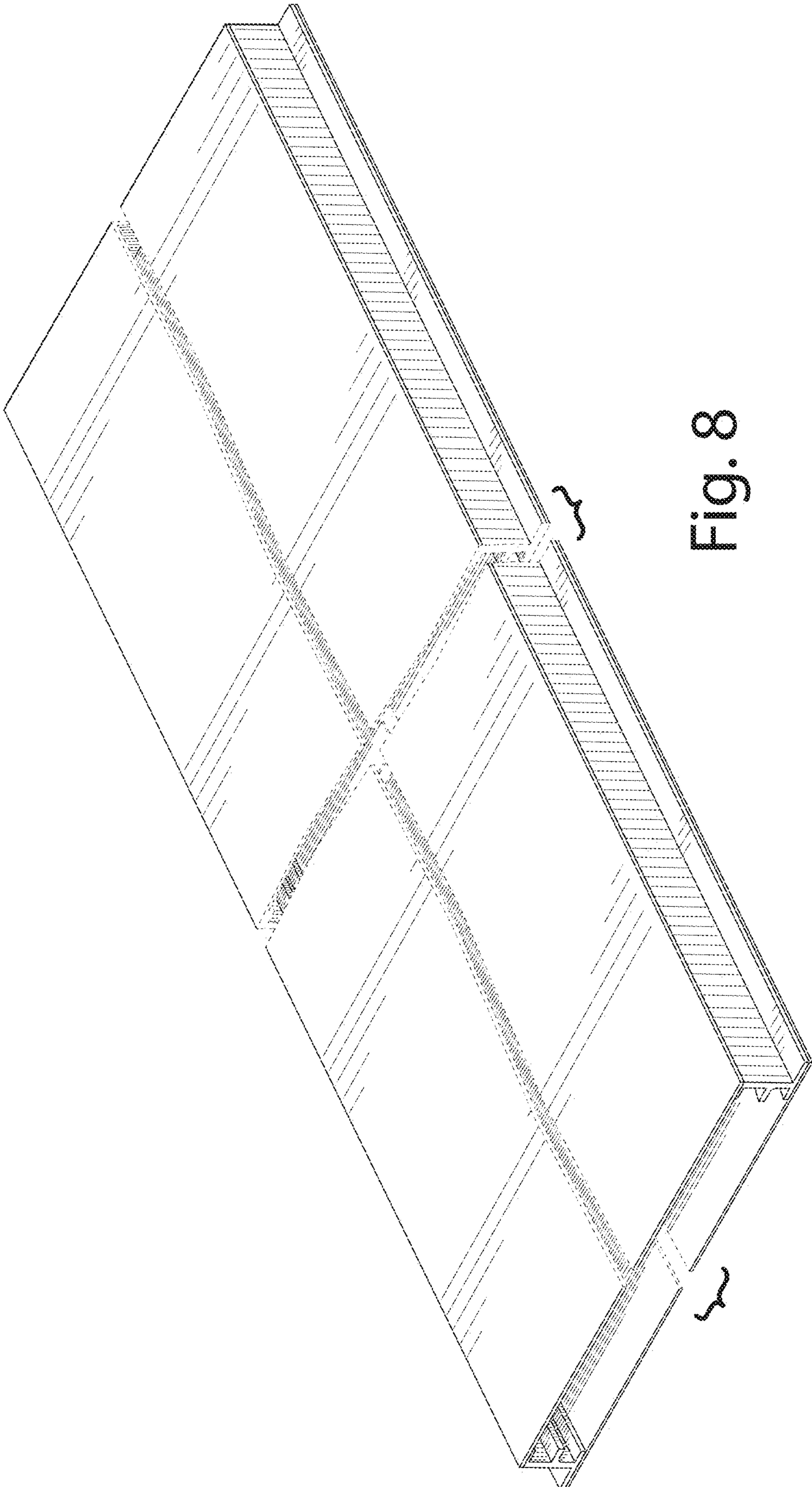


Fig. 8



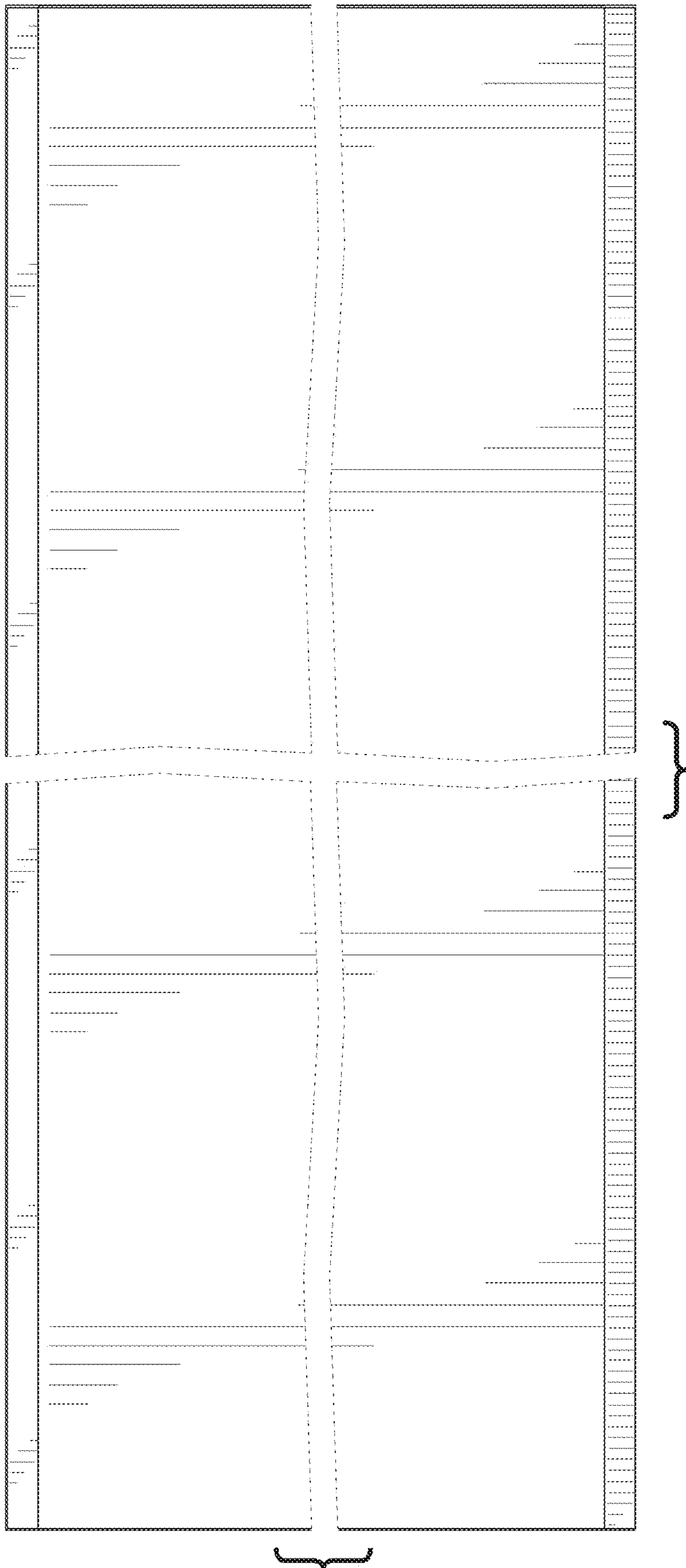


Fig. 9

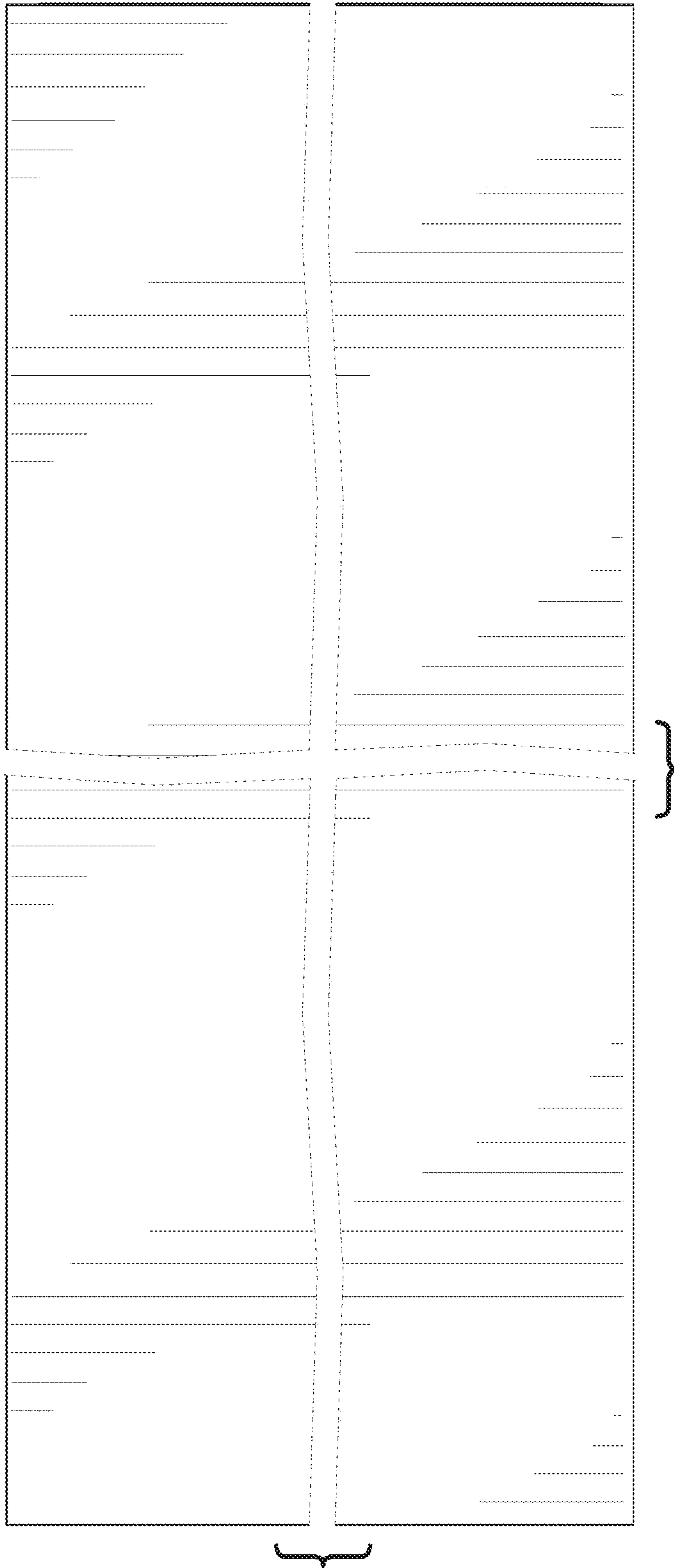


Fig. 10

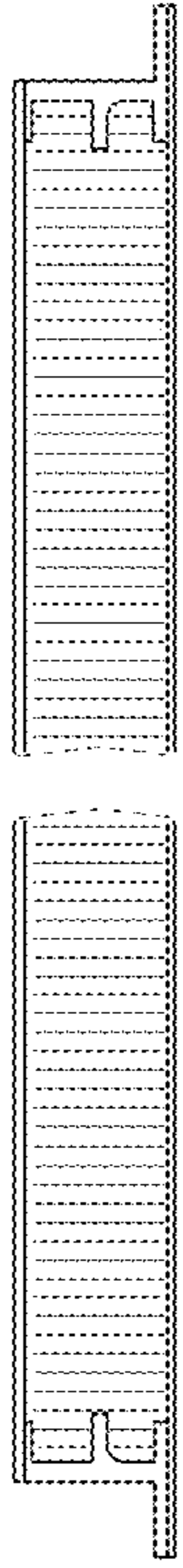


Fig. 11

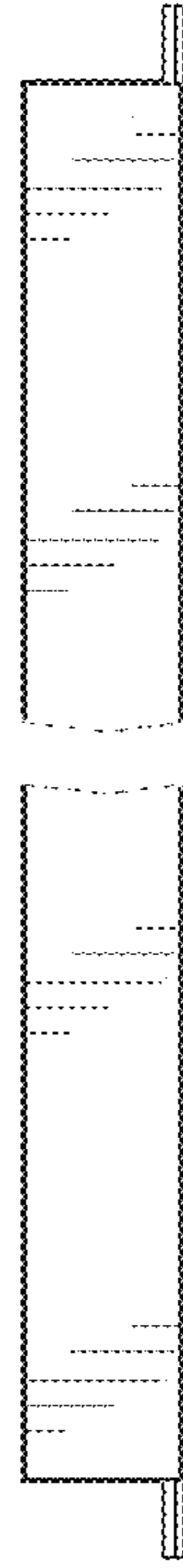


Fig. 12

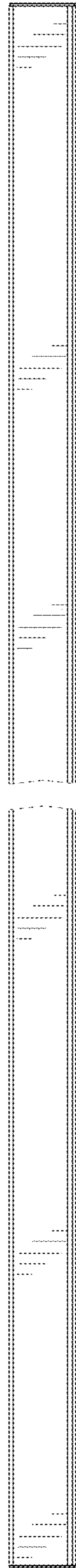


Fig. 13

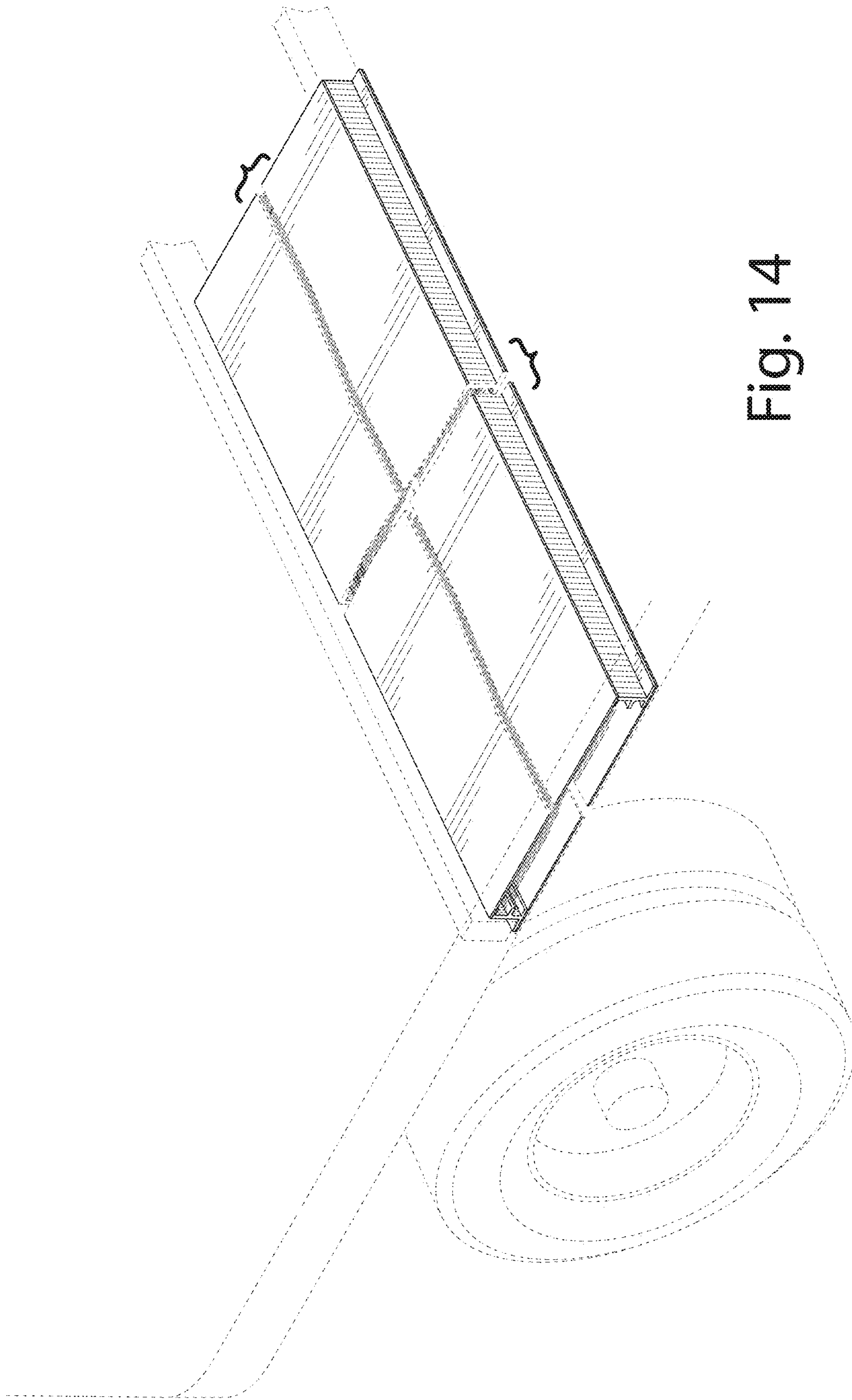


Fig. 14