

US00D935127S

(12) **United States Design Patent**
Zhao

(10) **Patent No.:** **US D935,127 S**
(45) **Date of Patent:** **** Nov. 2, 2021**

- (54) **SHOPPING BASKET**
- (71) Applicant: **Yabin Zhao**, Jilin (CN)
- (72) Inventor: **Yabin Zhao**, Jilin (CN)
- (**) Term: **15 Years**
- (21) Appl. No.: **29/752,687**
- (22) Filed: **Sep. 28, 2020**
- (51) **LOC (13) Cl.** **12-02**
- (52) **U.S. Cl.**
USPC **D34/17; D32/37**
- (58) **Field of Classification Search**
USPC D3/304, 314; D34/12–24
CPC B62B 2202/404; B62B 3/02; B62B 3/165;
B62B 5/067; B62B 1/12; B62B 1/006;
B62B 1/125; B65F 1/1468; B65F 1/11;
B65F 1/12; B65F 1/18; B65F 1/10
See application file for complete search history.

- 7,275,758 B1 * 10/2007 Diaz A45C 3/04
280/33.995
- D563,620 S * 3/2008 Dong D32/37
- 7,431,312 B2 * 10/2008 Sebastian B62B 3/02
280/33.998
- 7,594,667 B2 * 9/2009 Overland B62B 3/16
16/110.1
- D601,772 S * 10/2009 de Rueda D34/12
- D631,222 S * 1/2011 Gimeno B62B 1/125
D34/24
- D633,681 S 3/2011 Gimeno et al.
- D634,501 S 3/2011 Overland
- D694,982 S * 12/2013 Overland B62B 5/02
D34/24
- D773,770 S * 12/2016 Olmos B62B 7/12
D34/17
- D796,771 S 9/2017 Bacallao et al.
(Continued)

FOREIGN PATENT DOCUMENTS

- EP 2179907 A1 * 4/2010 B62B 3/165
- KR 20100005684 U * 6/2010 B62B 3/165

Primary Examiner — Cynthia Ramirez

(56) **References Cited**
U.S. PATENT DOCUMENTS

- 2,425,107 A * 8/1947 Martin B62B 3/165
280/47.26
- D191,504 S * 10/1961 Zupancic D34/17
- D283,457 S 4/1986 Smith
- 5,125,674 A * 6/1992 Manuszak B62B 7/12
280/30
- D329,029 S 9/1992 Chapman, II
- D343,040 S * 1/1994 Wilson D34/17
- 5,294,158 A * 3/1994 Cheng B62B 5/02
280/641
- D400,679 S 11/1998 Kern et al.
- D444,927 S * 7/2001 Lin D32/37
- D455,243 S 4/2002 Walter
- D493,594 S 7/2004 Prather et al.
- D528,732 S 9/2006 Hubbard et al.
- D535,921 S 1/2007 Waller
- D546,511 S * 7/2007 Luster D32/37

(57) **CLAIM**

The ornamental design for a shopping basket, as shown and described.

DESCRIPTION

FIG. 1 is a perspective view of a shopping basket showing my new design;
FIG. 2 is a front elevational view thereof;
FIG. 3 is a rear elevational view thereof;
FIG. 4 is a left side elevational view thereof;
FIG. 5 is a right side elevational view thereof;
FIG. 6 is a top plan view thereof;
FIG. 7 is a bottom plan view thereof; and,
FIG. 8 is a perspective view thereof, showing in the state of handle out.

1 Claim, 8 Drawing Sheets



(56)

References Cited

U.S. PATENT DOCUMENTS

D797,395 S * 9/2017 Gil Duarte Pereira .. A45C 3/04
D34/24
D905,368 S * 12/2020 Manning B62B 3/165
D34/12

* cited by examiner



FIG. 1

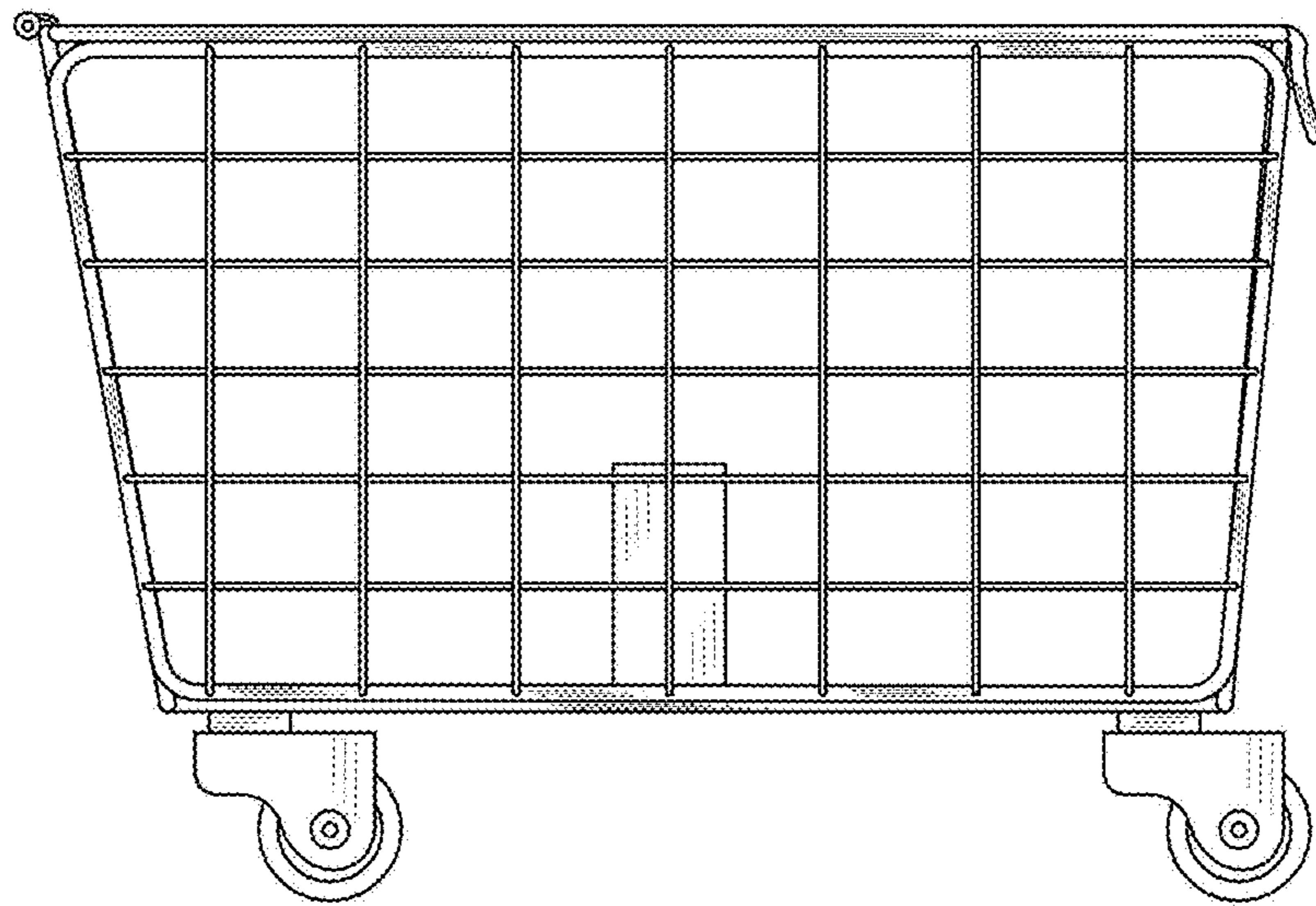


FIG. 2

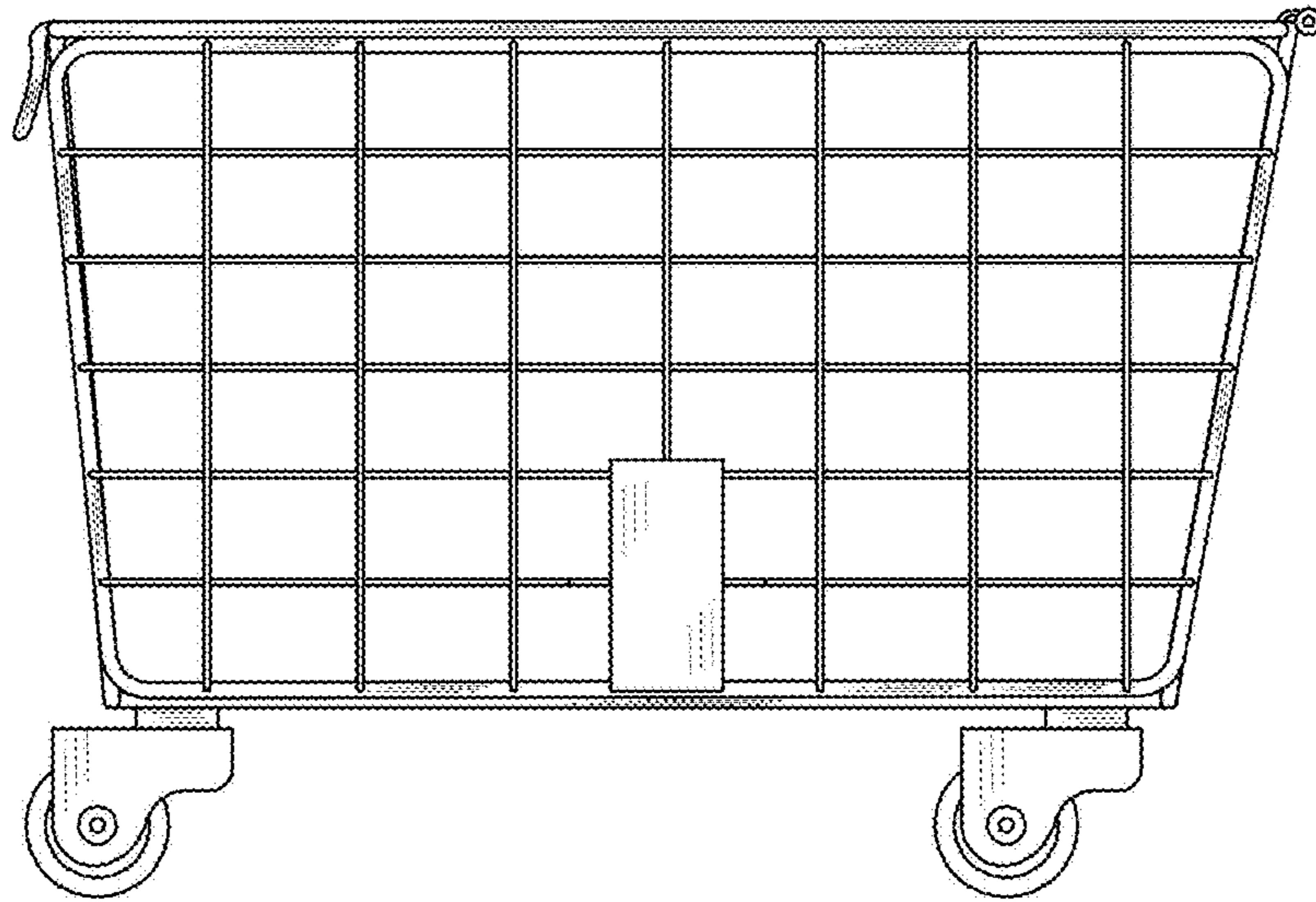


FIG. 3

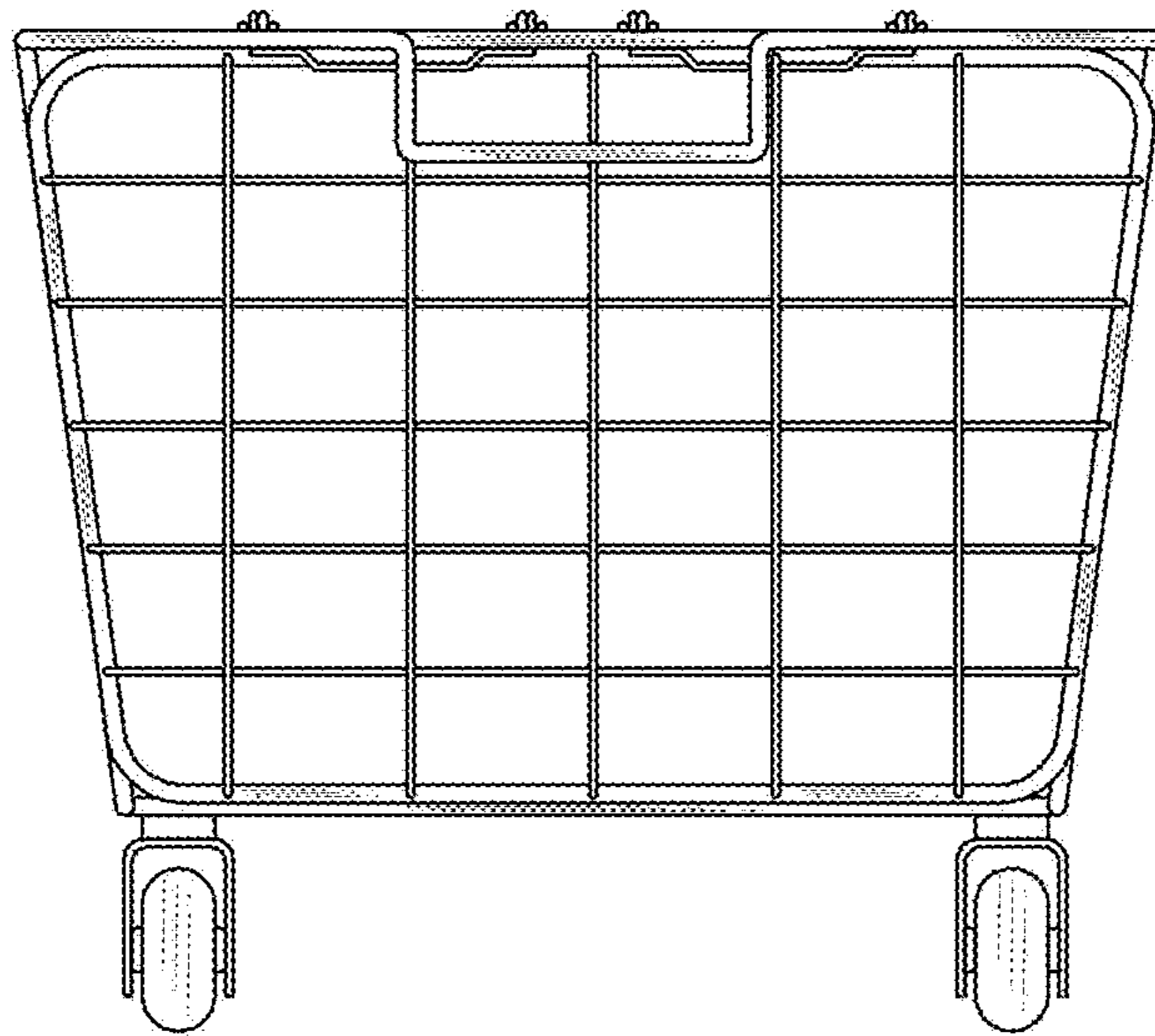


FIG. 4

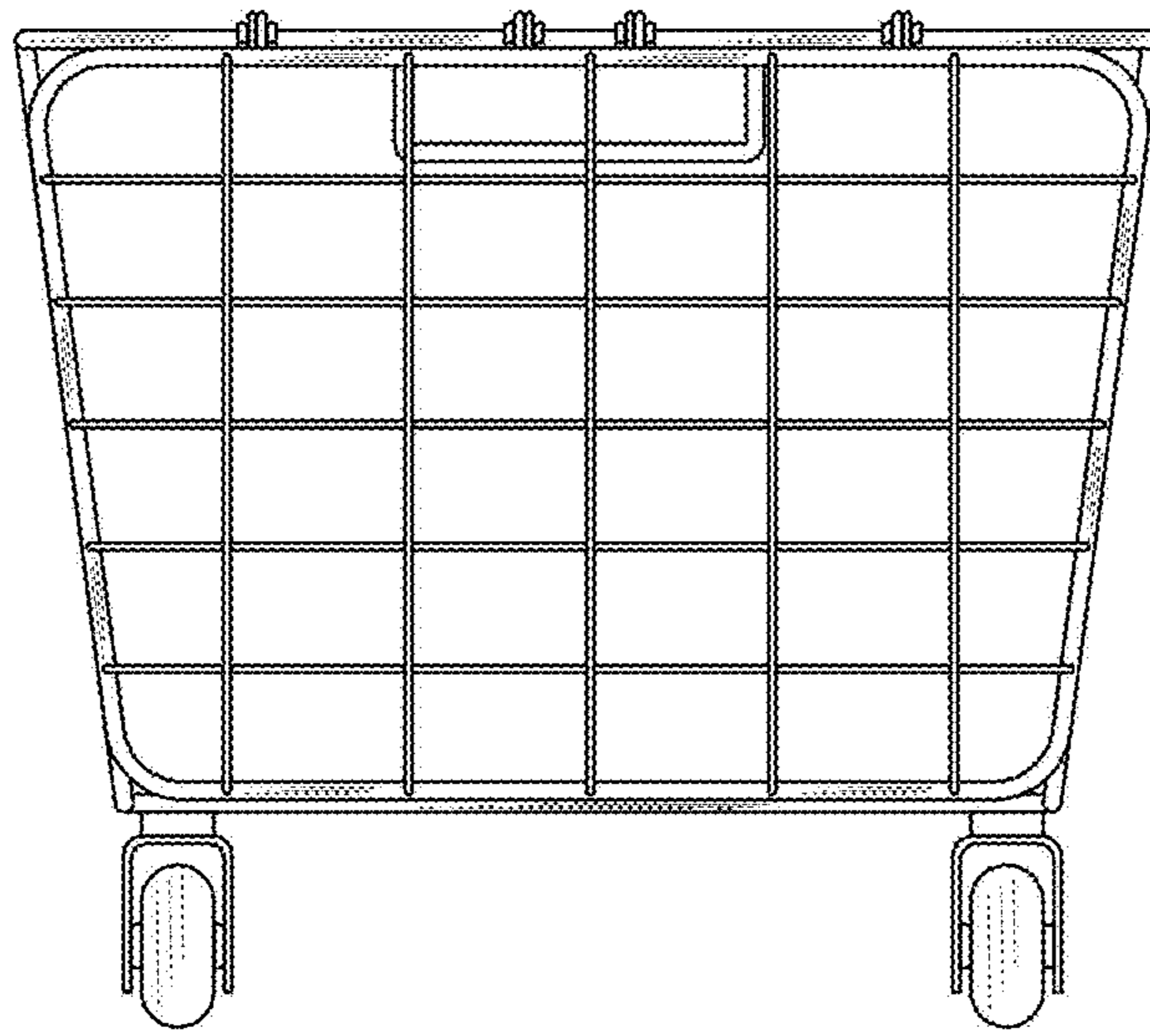


FIG. 5

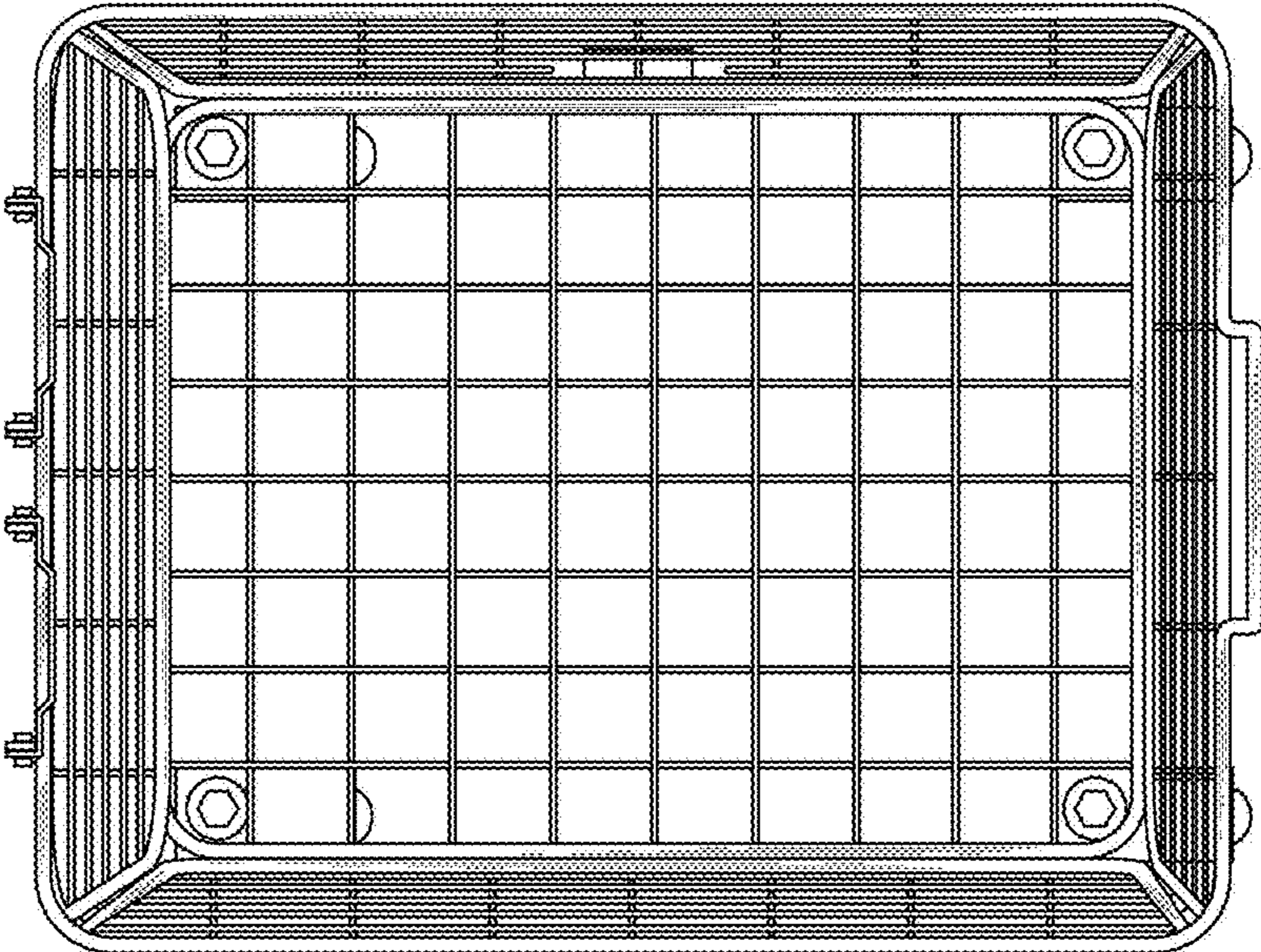


FIG. 6

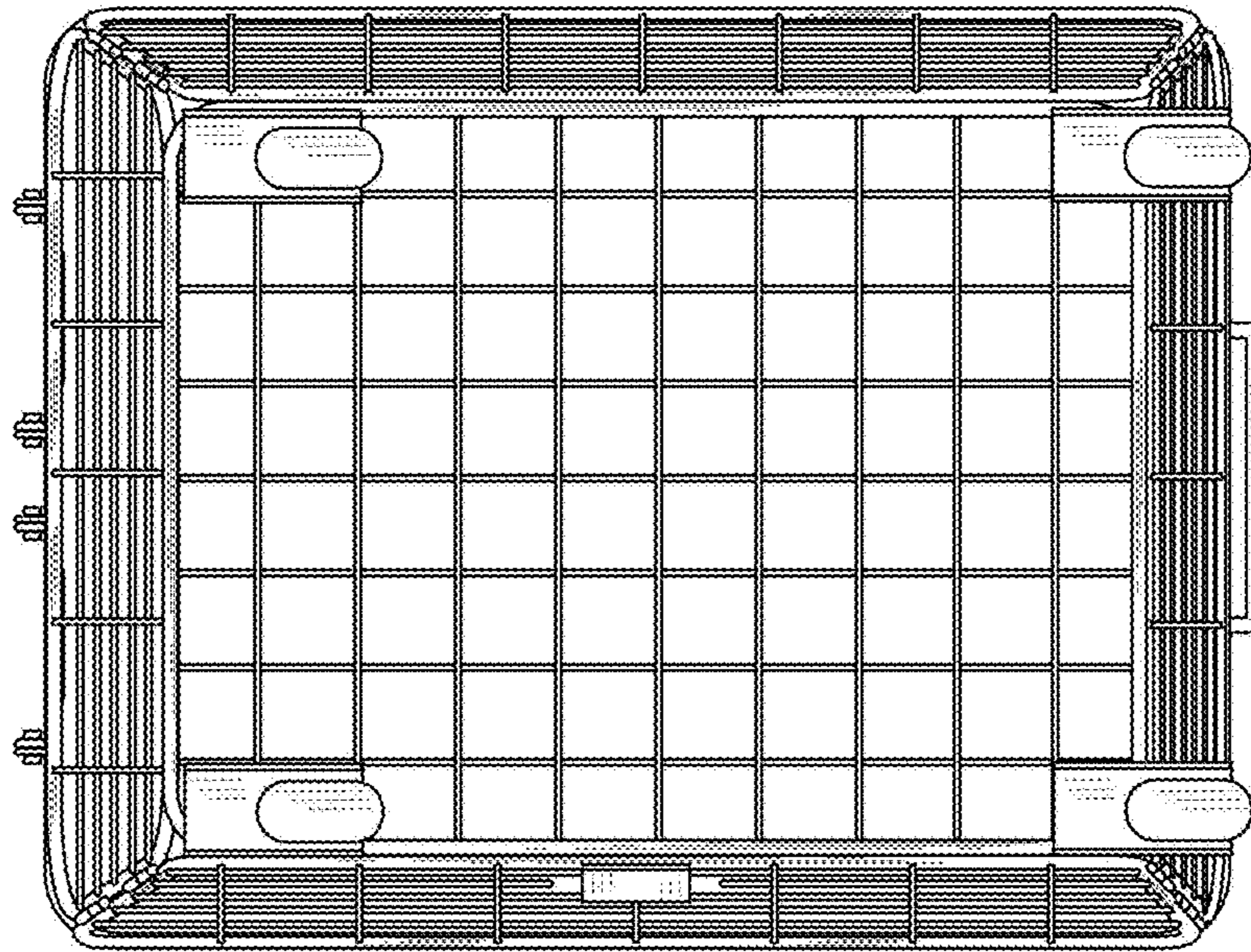


FIG. 7



FIG. 8